



US00D613449S

(12) **United States Design Patent**  
**Ngai et al.**

(10) **Patent No.:** **US D613,449 S**  
(45) **Date of Patent:** **\*\* Apr. 6, 2010**

(54) **OLED LIGHTING FIXTURE WITH SUSPENSION**

(75) Inventors: **Peter Y. Y. Ngai**, Alamo, CA (US);  
**Frank A. Friedman**, Mill Valley, CA (US)

(73) Assignee: **ABL IP Holding, LLC**, Conyers, GA (US)

(\*\*) Term: **14 Years**

(21) Appl. No.: **29/343,246**

(22) Filed: **Sep. 9, 2009**

(51) **LOC (9) Cl.** ..... **26-03**

(52) **U.S. Cl.** ..... **D26/88; D26/120**

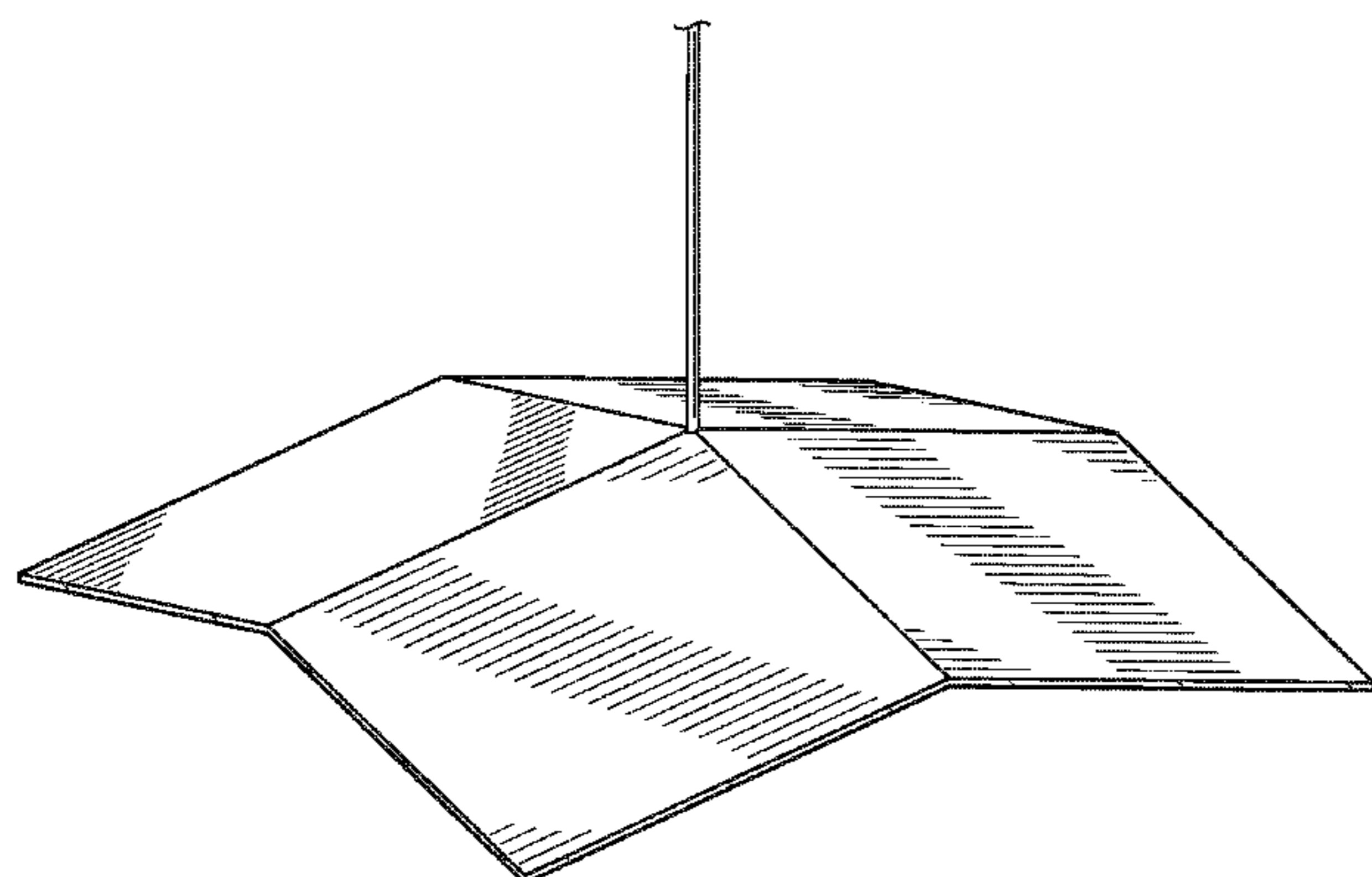
(58) **Field of Classification Search** ..... D26/88,  
D26/89, 118, 120, 121, 122, 128, 131, 132,  
D26/135; 362/34, 84, 147, 404-408, 453-456  
See application file for complete search history.

(56) **References Cited**

**U.S. PATENT DOCUMENTS**

D53,152 S *	4/1919	Irwin	.....	D26/135
D79,375 S *	9/1929	Lazerson	.....	D26/88
D94,669 S *	2/1935	Drake	.....	D20/99
D150,095 S *	6/1948	Novin	.....	D26/131
D185,976 S *	8/1959	Meyer	.....	D26/122
D205,004 S *	6/1966	Puszka	.....	D26/122
D208,461 S *	9/1967	Morgan	.....	D26/120
D251,630 S *	4/1979	Larson	.....	D26/128
D257,643 S *	12/1980	Zurcher	.....	D26/85
D293,723 S *	1/1988	Buttner	.....	D26/129
D325,998 S *	5/1992	Shaw	.....	D26/131
D362,081 S *	9/1995	Bilbrey	.....	D26/120
RE35,132 E *	12/1995	Bay et al.	.....	362/34
5,557,869 A *	9/1996	Douglas	.....	362/34

(Continued)



**OTHER PUBLICATIONS**

WAC Lighting OLED prototype shown and described in Thomas Net News article of May 26, 2009. Downloaded from <http://news.thomasnet.com/companystory/827327>. (9 pages).\*

(Continued)

*Primary Examiner*—Clare E Heflin

(74) *Attorney, Agent, or Firm*—Donald L. Beeson; Beeson Skinner Beverly

(57) **CLAIM**

The ornamental design for an OLED lighting fixture with suspension, as shown and described.

**DESCRIPTION**

FIG. 1 is a bottom perspective view of an OLED lighting fixture with suspension showing our new design;

FIG. 2 is a top perspective view thereof;

FIG. 3 is a front elevational view thereof; the rear elevation, and the left and right side elevations being identical thereto;

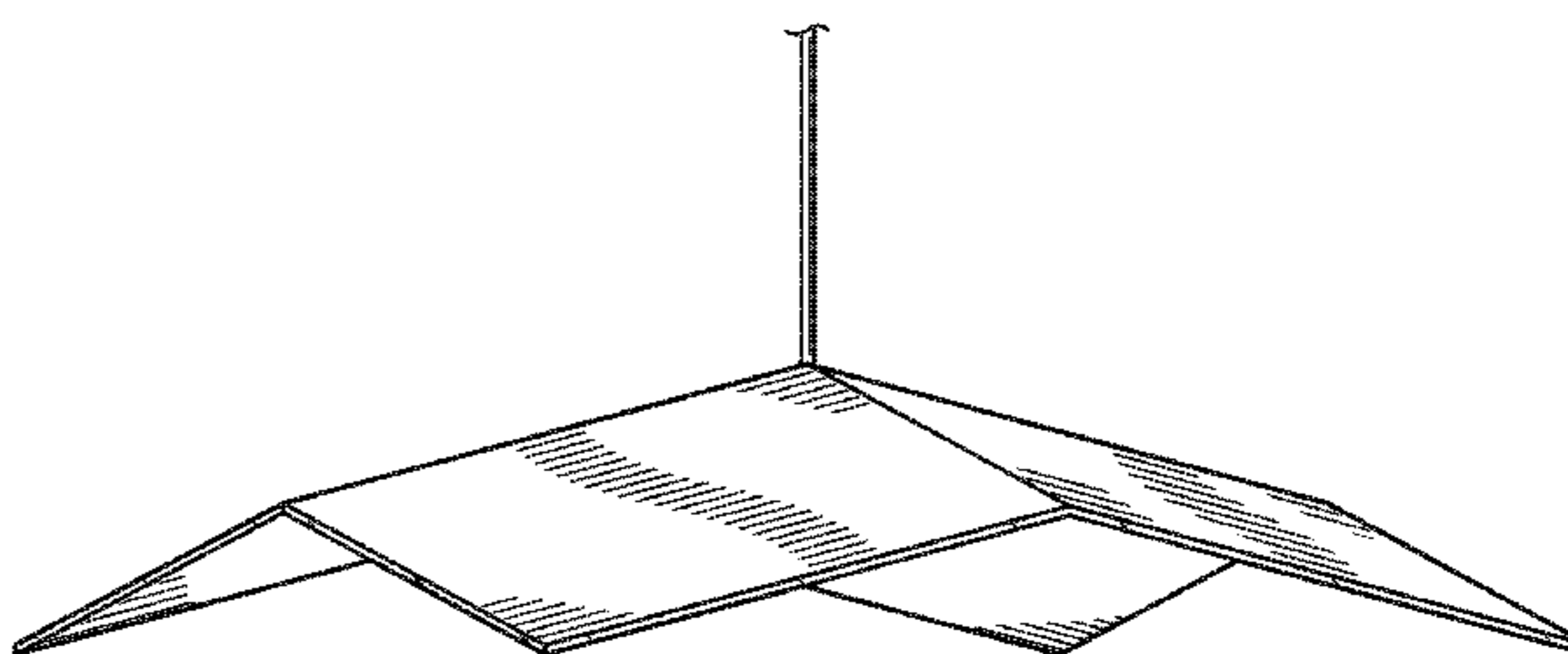
FIG. 4 is a rotated elevational view thereof; and,

FIG. 5 is a bottom plan view thereof.

“OLED” means Organic Light-Emitting Diode. The characteristic feature of the design resides in the overall shape of an OLED lighting fixture in combination with a suspension element. The suspension element could be a flexible cable or a rigid stem. The OLED lighting fixture can emit light from all or a portion of its bottom and/or top surfaces. The OLED lighting fixture can also be transparent, translucent or opaque; or different portions of the OLED lighting fixture can be transparent, translucent or opaque while other portions have a different transparent, translucent or opaque characteristic.

The suspension element of the design is cut-away at the top to indicate indeterminate length. In FIGS. 2 and 5, the broken line showing of a suspension element attachment cap at the bottom of the OLED lighting fixture is provided for illustrative purposes only and forms no part of the claimed design.

**1 Claim, 5 Drawing Sheets**



# US D613,449 S

Page 2

---

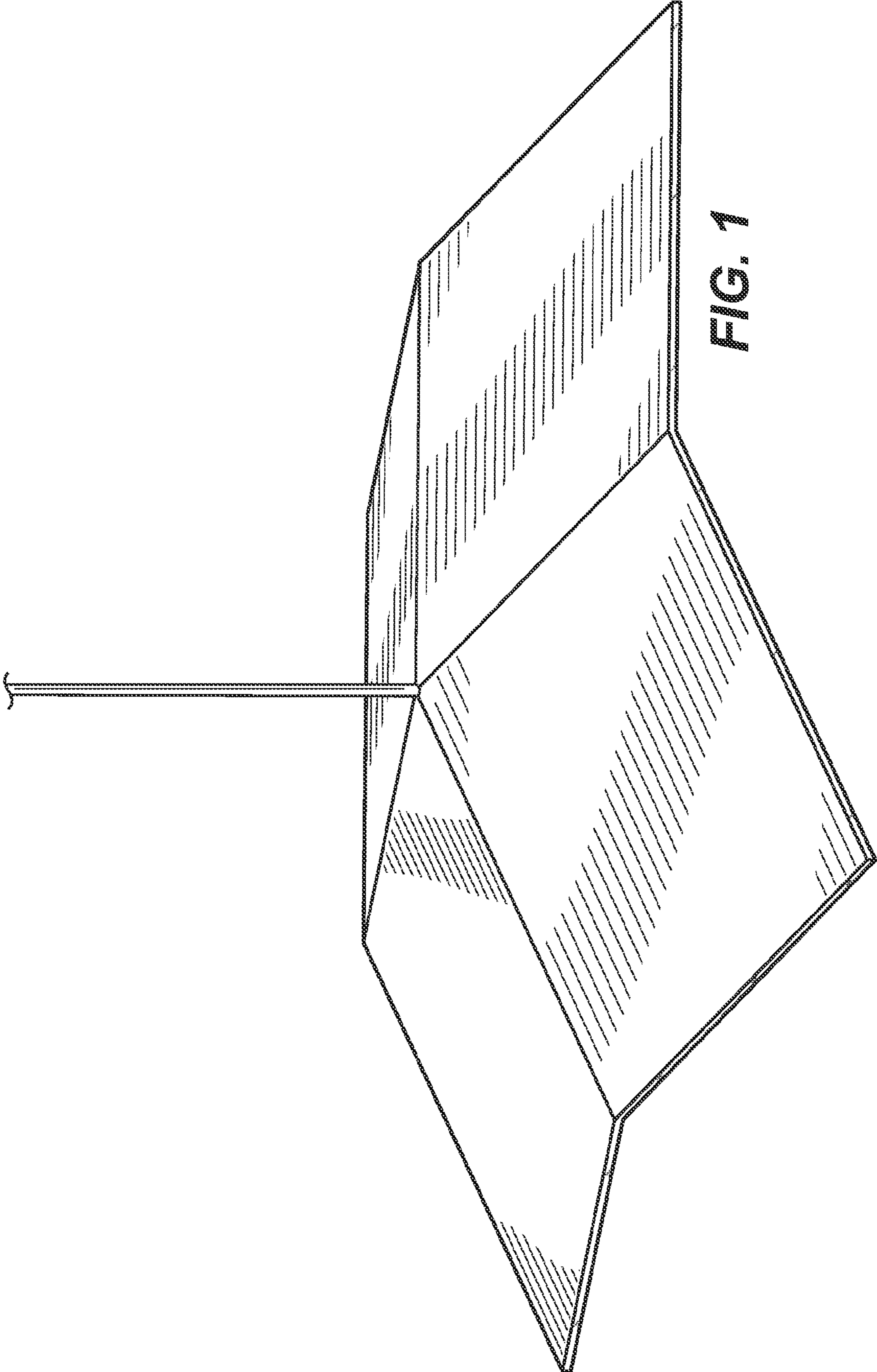
## U.S. PATENT DOCUMENTS

6,367,942 B1 \* 4/2002 Bauer ..... 362/34  
D464,462 S \* 10/2002 Shieh ..... D26/132  
6,565,231 B1 \* 5/2003 Cok ..... 362/227  
6,952,079 B2 \* 10/2005 Shiang et al. .... 362/84  
D548,872 S \* 8/2007 Dubbeldam et al. .... D26/85  
D563,589 S \* 3/2008 Hariri et al. .... D26/88  
D581,090 S \* 11/2008 Colleran et al. .... D26/122  
D584,848 S \* 1/2009 Menke ..... D26/88  
D595,890 S \* 7/2009 Sabernig ..... D26/88  
D596,784 S \* 7/2009 Silver ..... D26/88  
D600,399 S \* 9/2009 Sonobe ..... D26/121

## OTHER PUBLICATIONS

George Kovacs Checked Glass 18" Wide Pendant Light—item#EUJ3589 from EuroStyleLighting.com. Downloaded Oct. 8, 2009.\*  
Eurofase Intertwining Vines Plate Glass Square Pendant—Item#EUH5078 from eurostylelighting.com on Oct. 8, 2009.\*  
All OLED Light fixtures shown in article “OLED—The Flexible, Power-efficient Future of Lighting” in Ecofriend.org blog dated Jul. 30, 2008. (5 pages).\*  
Phillipe Collection 23½" Wide Pendant Light—Item#EU58143 from Eurostylelighting.com on Oct. 8, 2009. (2 pages).\*

\* cited by examiner



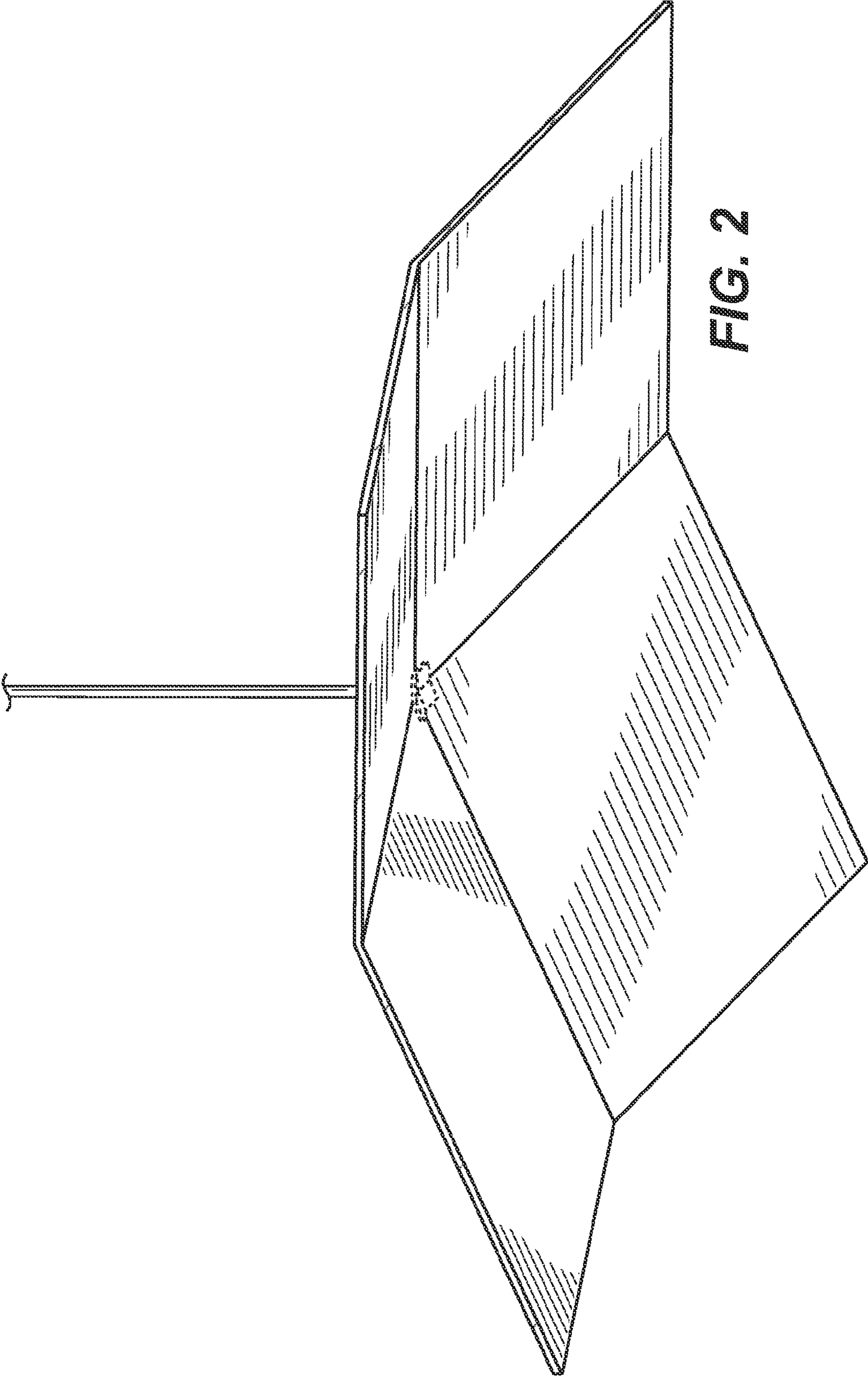
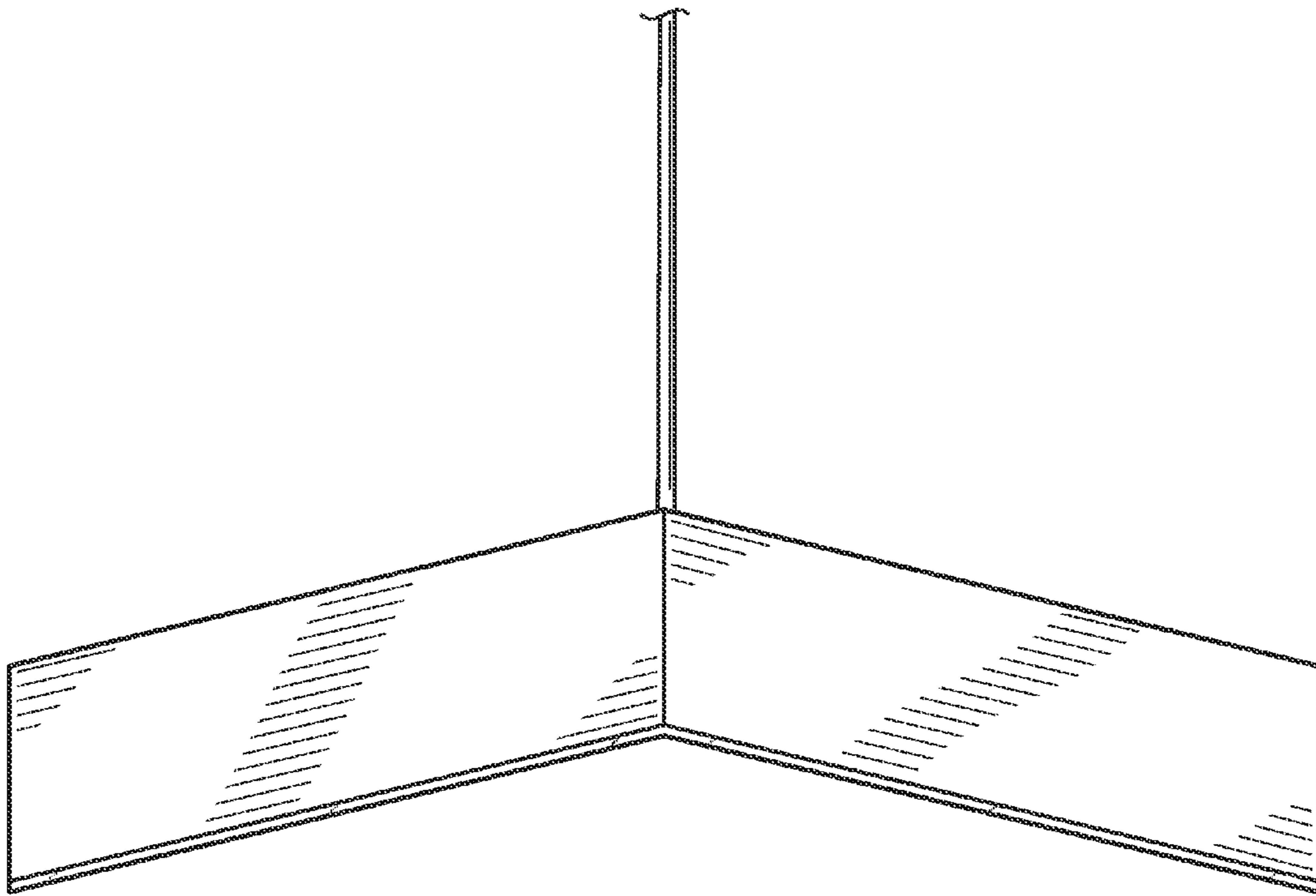


FIG. 2



**FIG. 3**

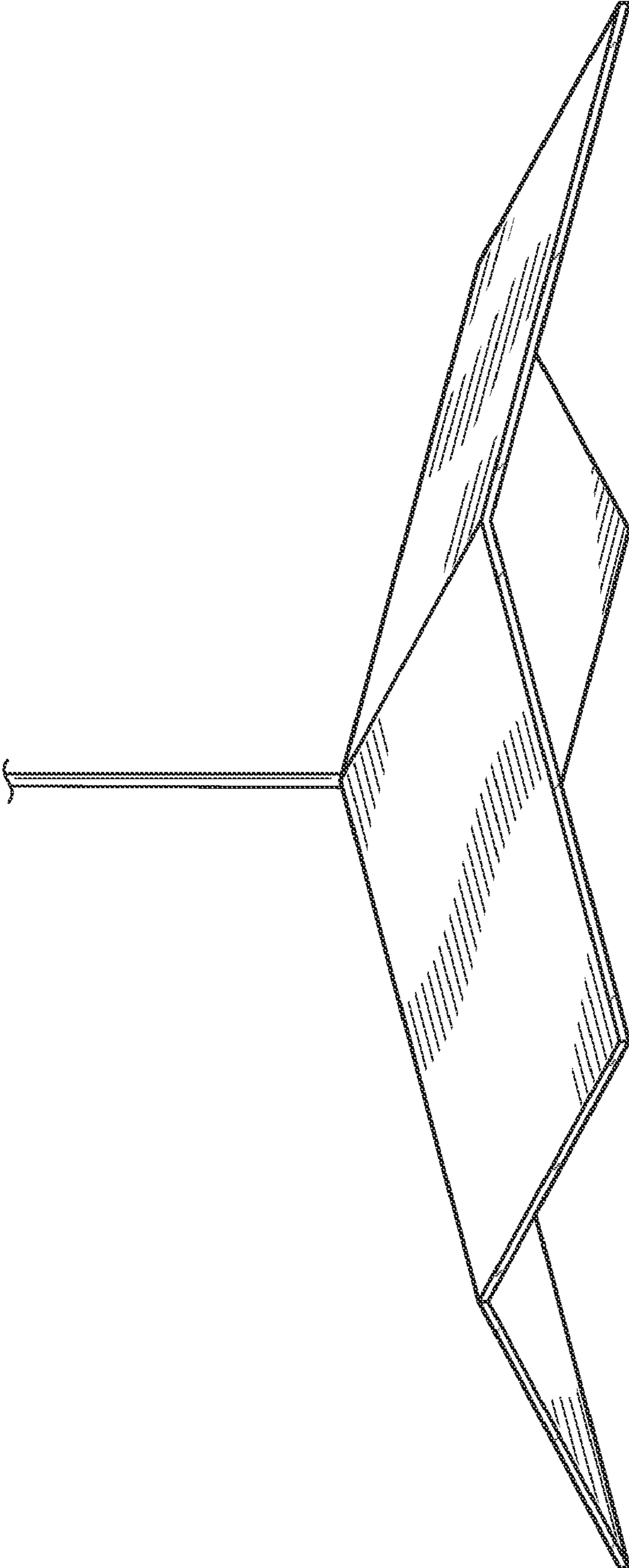
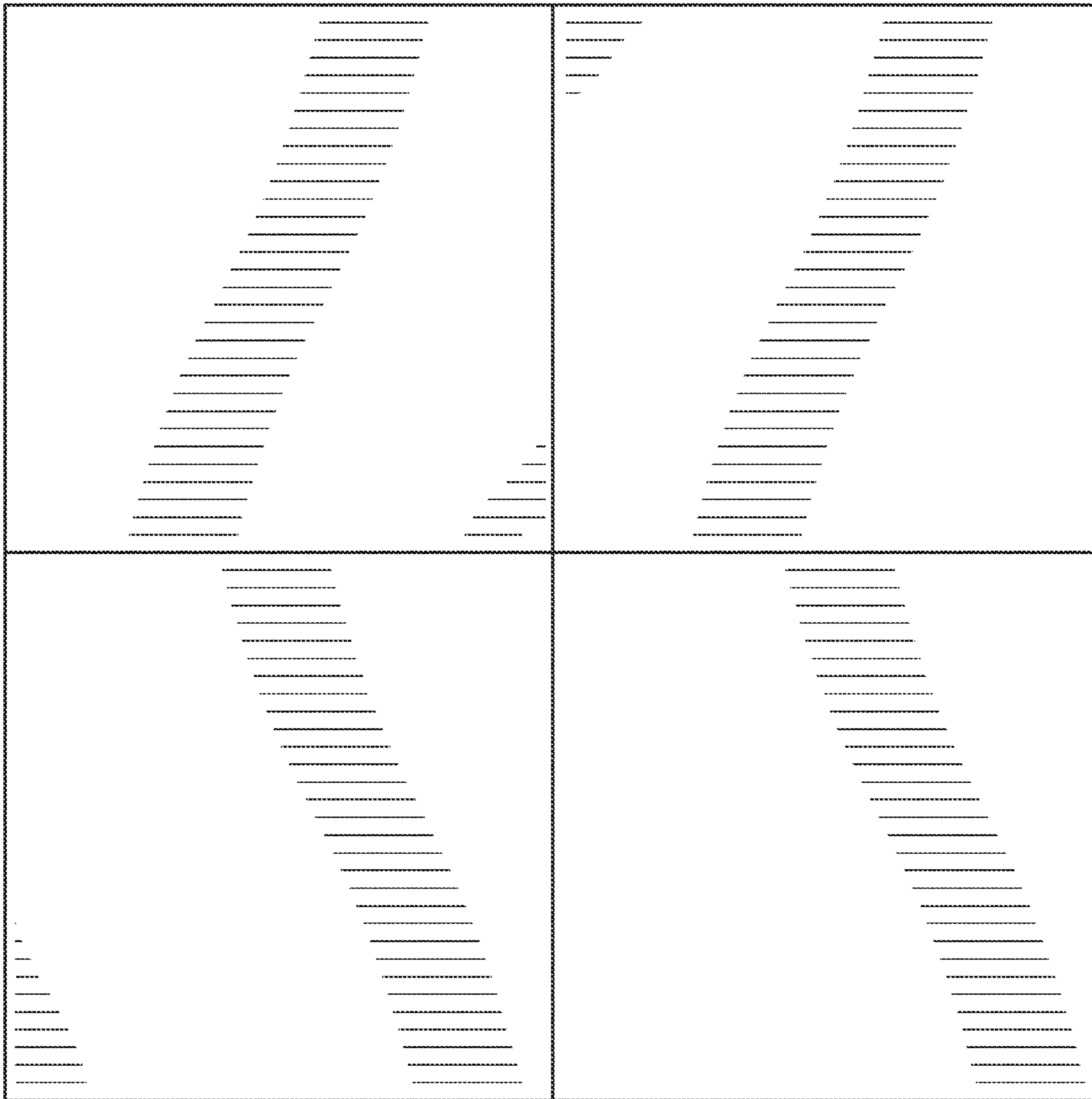


FIG. 4



**FIG. 5**