



US00D613448S

(12) **United States Design Patent**
Lovegrove

(10) **Patent No.:** **US D613,448 S**

(45) **Date of Patent:** **** Apr. 6, 2010**

(54) **LAMP**

(75) Inventor: **Ross Lovegrove**, Milan (IT)

(73) Assignee: **Artemide S.p.A.**, Milan (IT)

(**) Term: **14 Years**

(21) Appl. No.: **29/327,021**

(22) Filed: **Oct. 29, 2008**

(30) **Foreign Application Priority Data**

Apr. 29, 2008 (EM) 000926316

(51) **LOC (9) Cl.** **26-03**

(52) **U.S. Cl.** **D26/86; D26/88**

(58) **Field of Classification Search** D26/72,
D26/81-86, 88-91; 362/147, 404-408, 443,
362/457

See application file for complete search history.

(56) **References Cited**

U.S. PATENT DOCUMENTS

D39,286 S *	4/1908	Thomas	D26/84
D46,664 S *	11/1914	Cobb	D26/84
D61,360 S *	8/1922	Blackwell	D26/88
D382,663 S *	8/1997	Barry	D26/72
5,868,490 A *	2/1999	Barthelmess	362/249.16
D482,815 S *	11/2003	Rugee	D26/84
6,863,423 B2 *	3/2005	Stone et al.	362/404
D538,460 S *	3/2007	Rugee	D26/84

D576,336 S * 9/2008 Bourotte D26/83
2003/0043580 A1 * 3/2003 Hsu 362/249

OTHER PUBLICATIONS

“Hera” Multi-light Pendant by Trend Lighting. Product #6945 at ModernLightingUniverse.com. Downloaded Jun. 16, 2009.*

“Larmes” Pendant #E20115-18 shown on p. 65 of the ET2 Lighting 2007 catalog.*

“Pearl” Chandelier, “Stone” Pendant, and “Ripple” Chandelier. All 3 from jGOOD Design, NY NY. © 2009.(3" pages).*

“Snowball” 12 Light Chandelier by Trend Lighting. Product #4374 at ModernLightingUniverse.com. Downloaded Jun. 16, 2009.*

* cited by examiner

Primary Examiner—Clare E Heflin

(74) *Attorney, Agent, or Firm*—Ladas and Parry LLP

(57) **CLAIM**

I claim the ornamental design for a lamp, as shown.

DESCRIPTION

FIG. 1 is a perspective view of the lamp showing my new design;

FIG. 2 is a bottom view thereof;

FIG. 3 is a front view thereof;

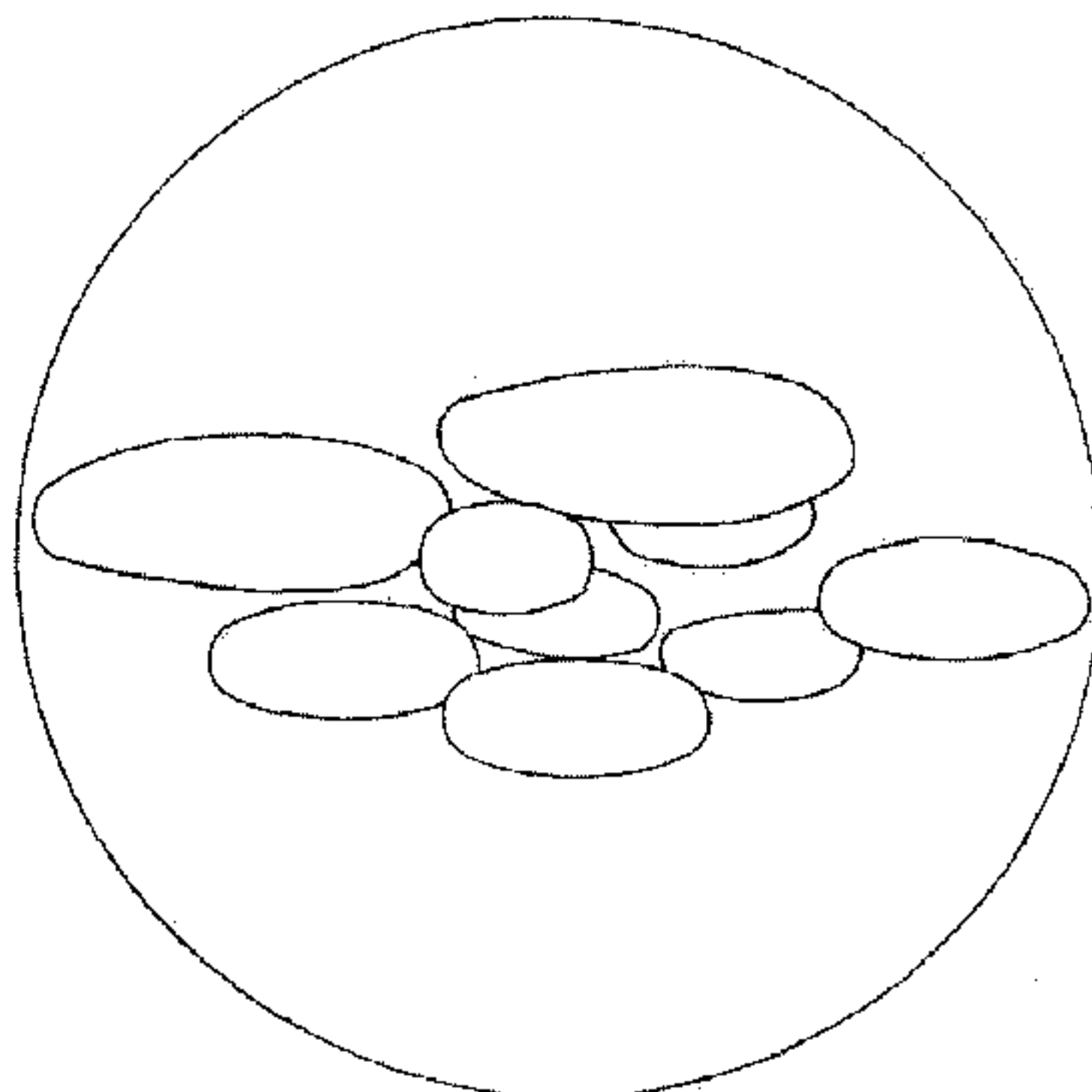
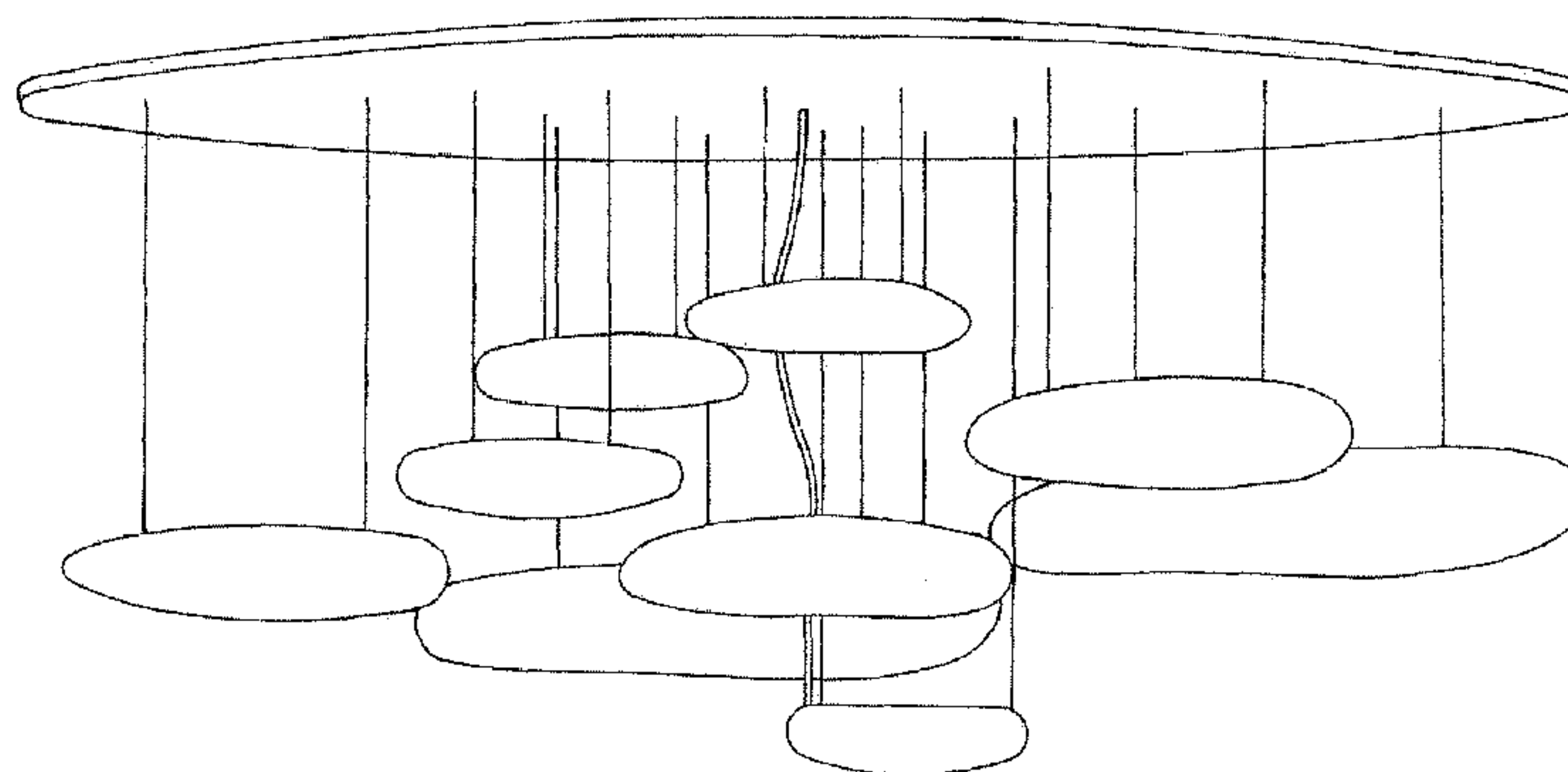
FIG. 4 is a right side view thereof;

FIG. 5 is a top view thereof;

FIG. 6 is a left side view thereof; and,

FIG. 7 is a rear view thereof.

1 Claim, 3 Drawing Sheets



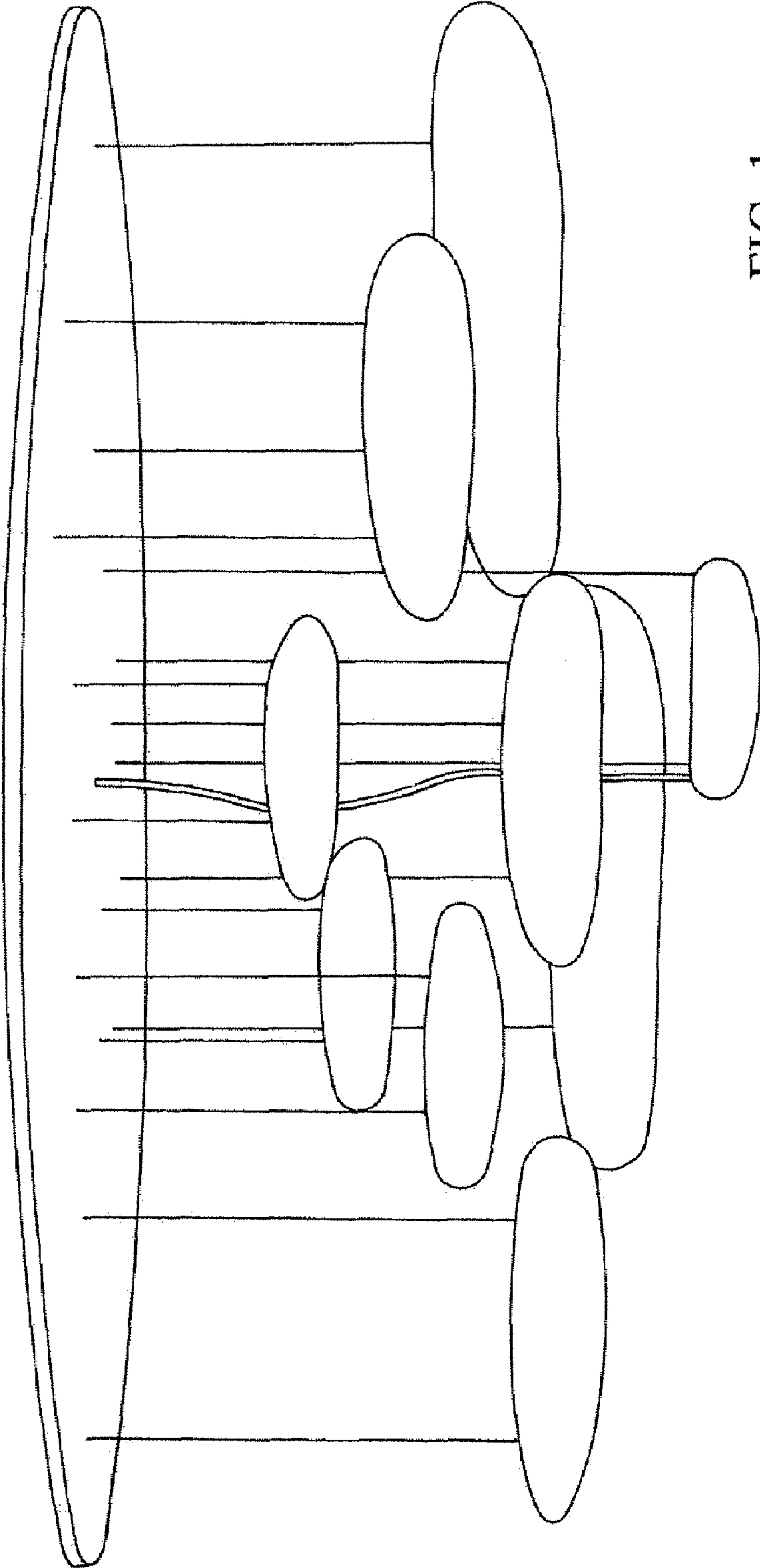


FIG. 1

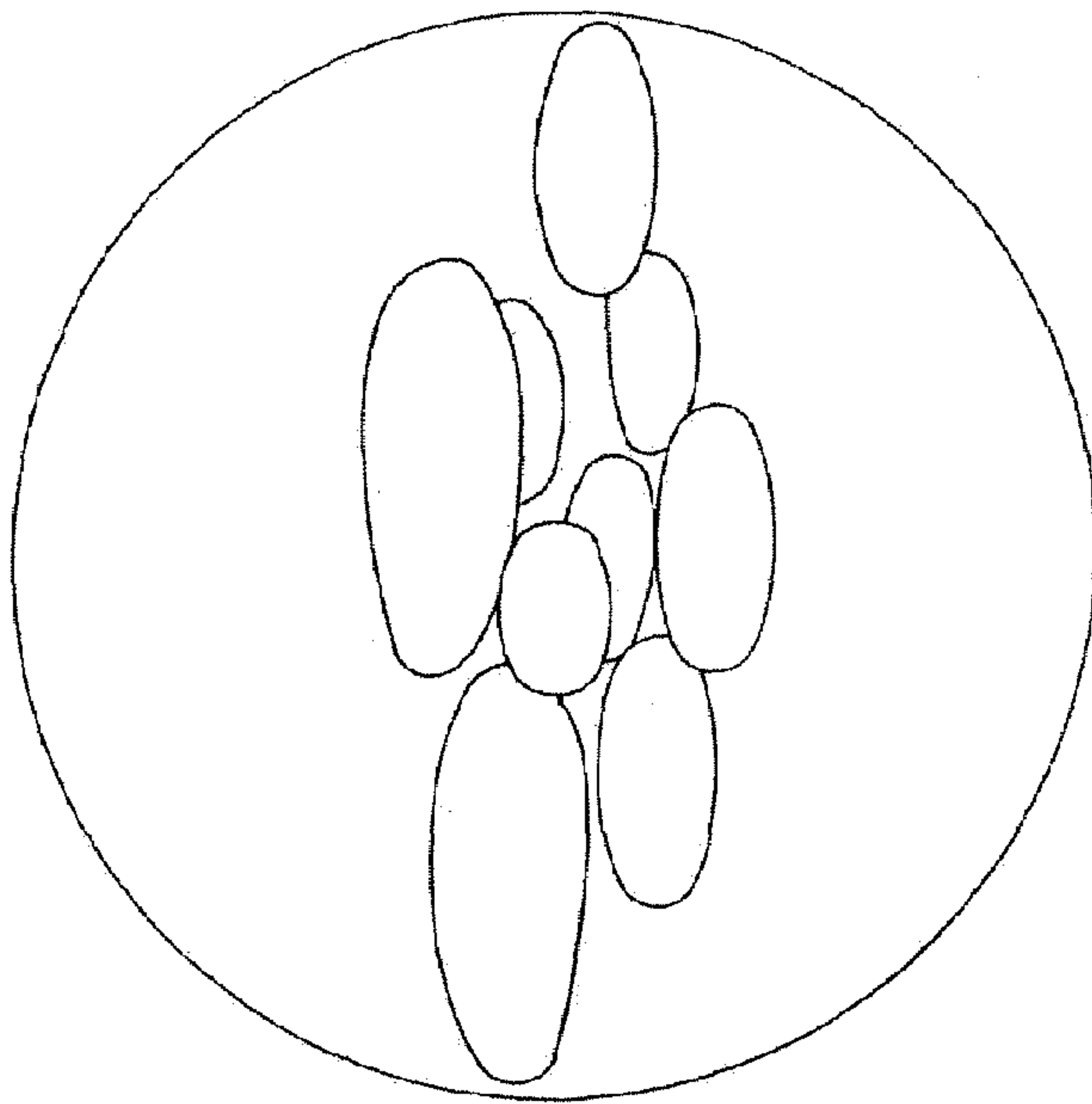


FIG. 2

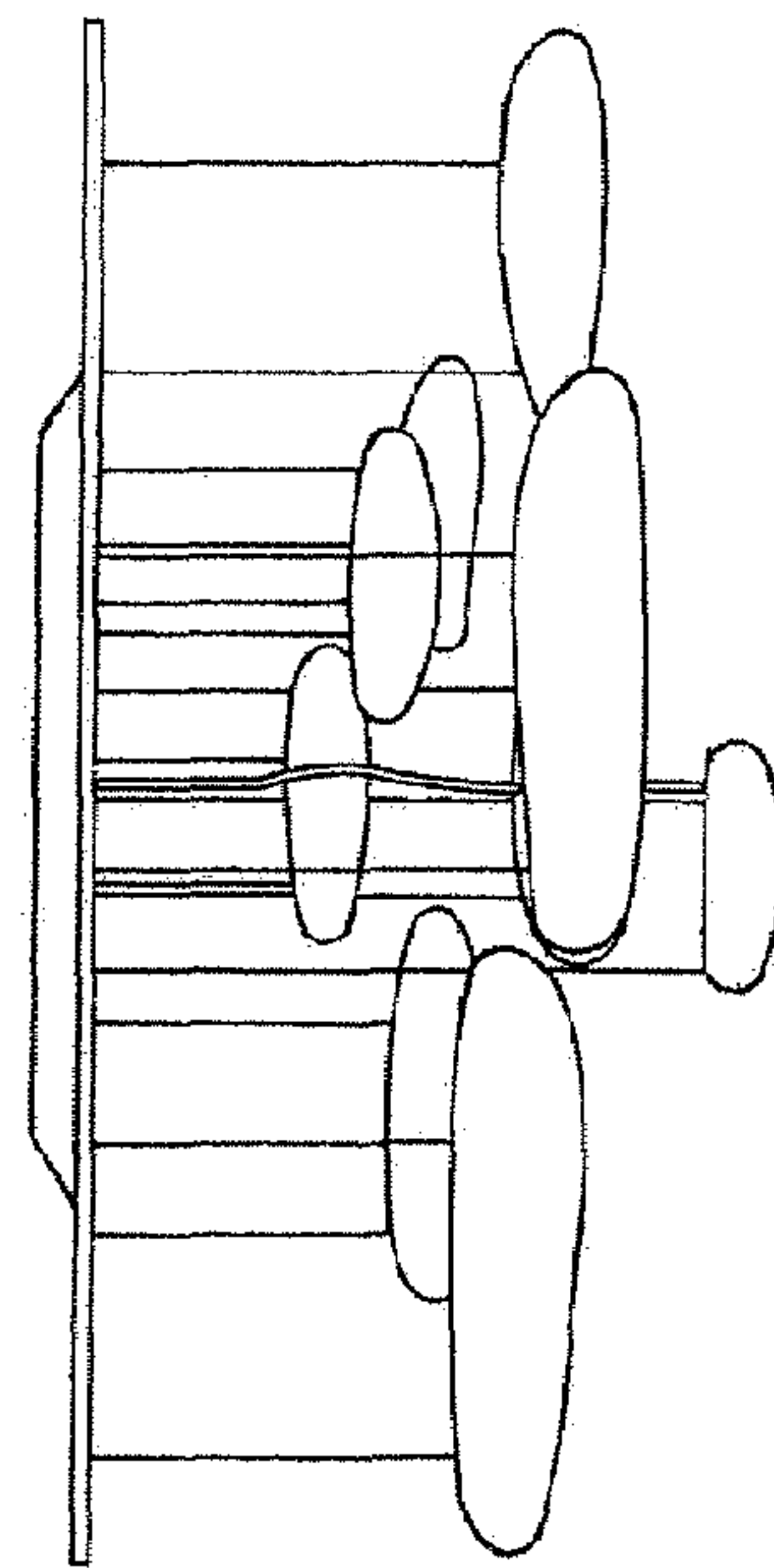


FIG. 3

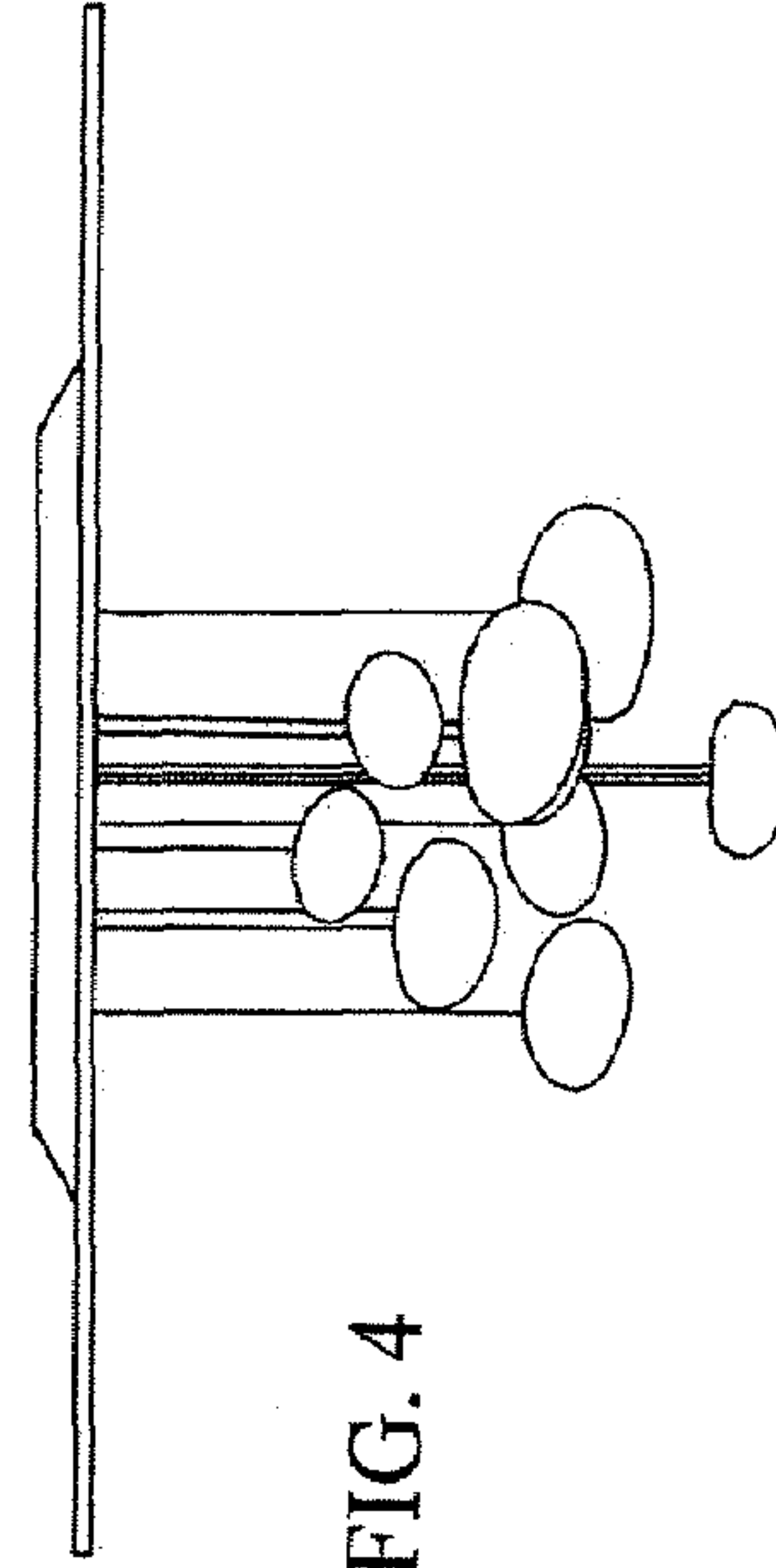


FIG. 4

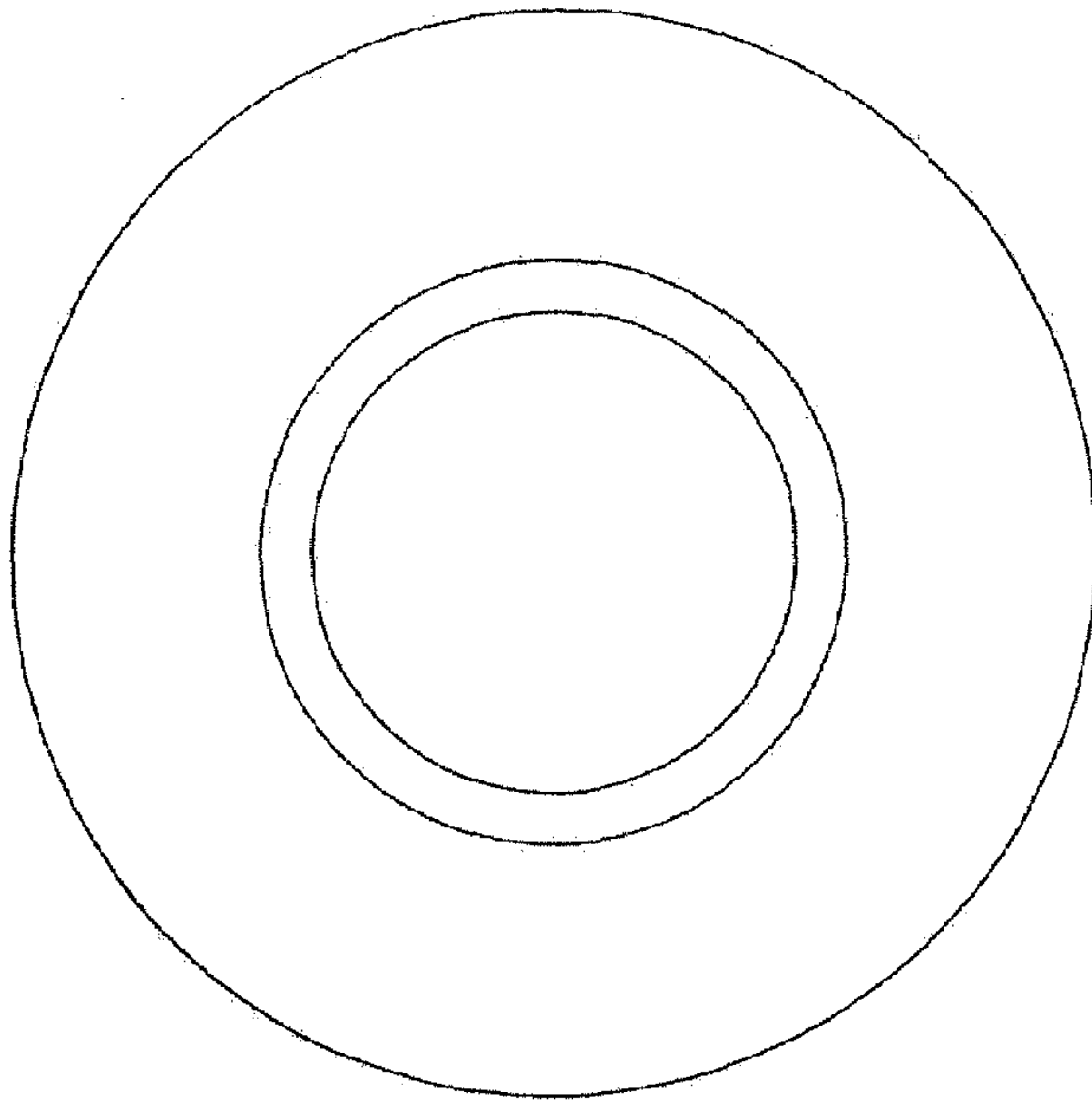


FIG. 5

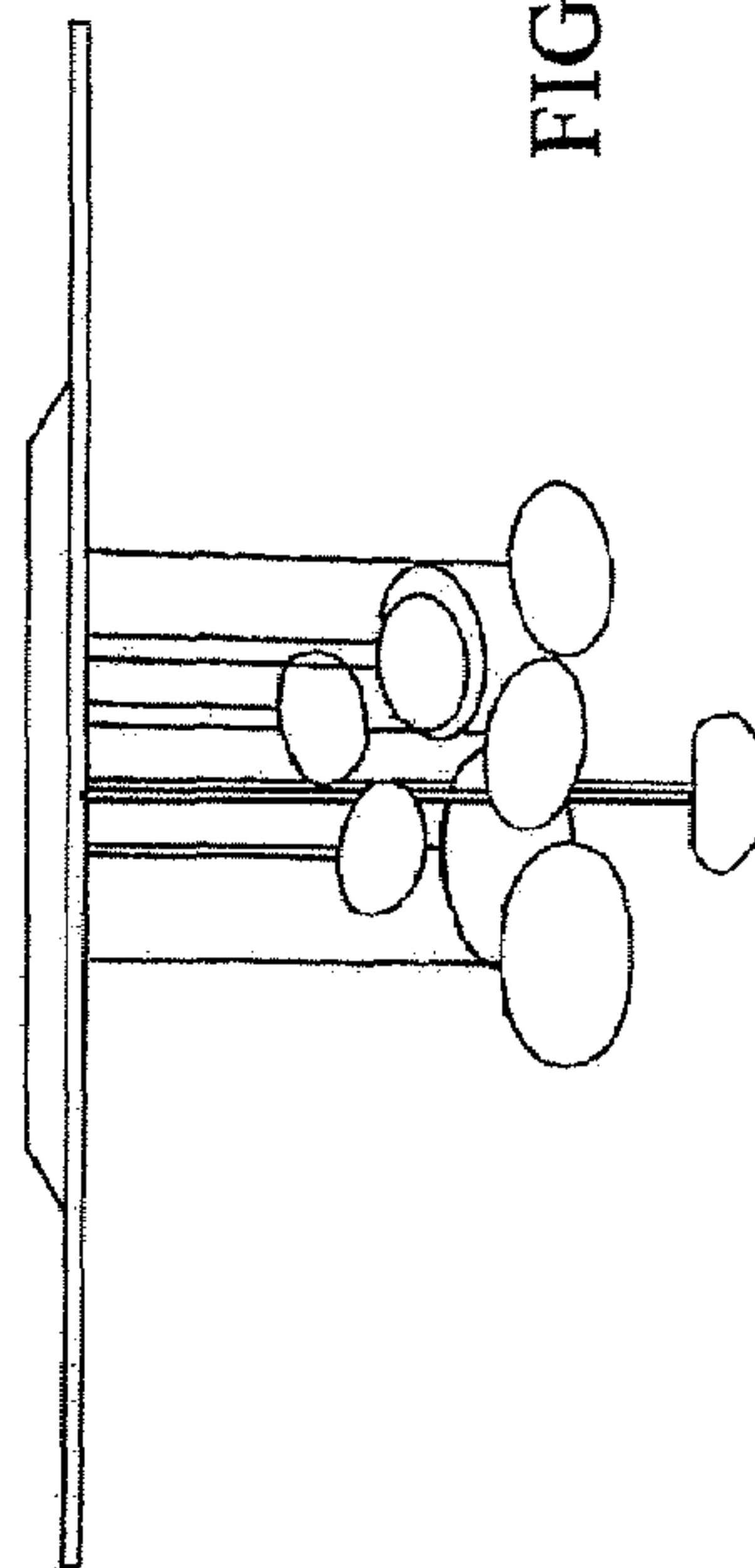


FIG. 6

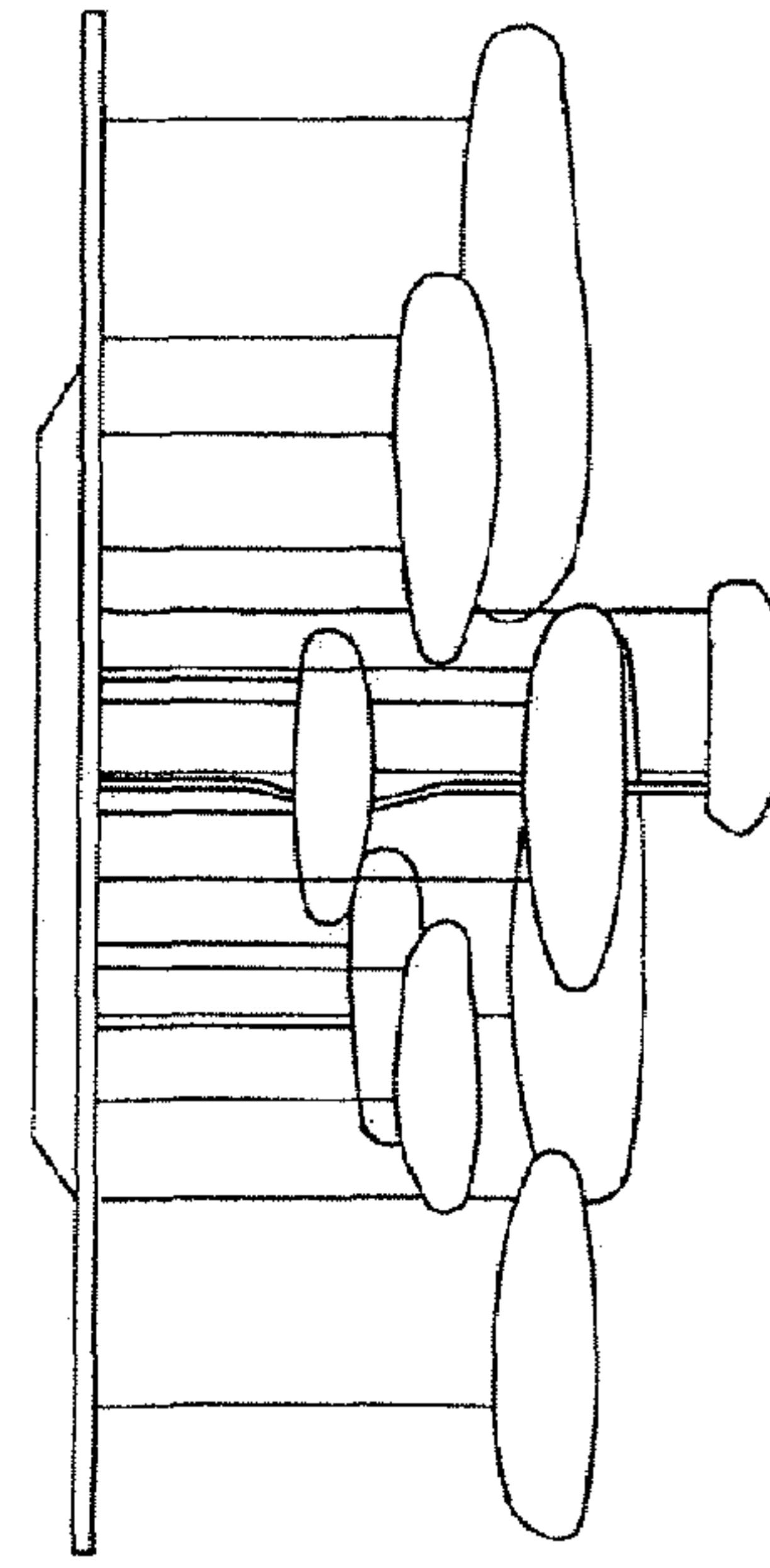


FIG. 7