



US00D613444S

(12) **United States Design Patent**
Rashidi

(10) **Patent No.:** **US D613,444 S**

(45) **Date of Patent:** **** *Apr. 6, 2010**

(54) **SHALLOW RECESSED LIGHTING FIXTURE**

(76) **Inventor:** **Hamid Rashidi**, 139 N. Clark Dr.,
Beverly Hills, CA (US) 90211

(**) **Term:** **14 Years**

(21) **Appl. No.:** **29/286,811**

(22) **Filed:** **May 17, 2007**

(51) **LOC (9) Cl.** **26-06**

(52) **U.S. Cl.** **D26/74**

(58) **Field of Classification Search** D26/2,
D26/24, 35, 61, 7, 72, 74-79, 81-92, 118,
D26/122; 362/147-150, 217-225, 132, 260-263,
362/267, 276, 283, 296, 337, 343, 364-366,
362/373; 248/27.1, 57, 302, 314, 343, 906
See application file for complete search history.

(56) **References Cited**

U.S. PATENT DOCUMENTS

4,336,575	A *	6/1982	Gilman	362/147
4,388,677	A *	6/1983	Druffel	362/276
4,803,603	A *	2/1989	Carson	362/150
4,972,339	A *	11/1990	Gabrius	362/366
5,314,148	A *	5/1994	Jones	248/27.3
5,440,471	A *	8/1995	Zadeh	362/365
5,662,414	A *	9/1997	Jennings et al.	362/366
5,800,050	A *	9/1998	Leadford	362/296
5,857,766	A *	1/1999	Sieczkowski	362/365
5,957,574	A *	9/1999	Hentz et al.	362/365

6,004,011	A *	12/1999	Sieczkowski	362/365
6,089,732	A *	7/2000	Wright et al.	362/364
6,123,438	A *	9/2000	Hentz	362/373
6,283,430	B1 *	9/2001	Schubert et al.	248/343
6,505,960	B2 *	1/2003	Schubert et al.	362/365
6,632,006	B1 *	10/2003	Rippel et al.	362/366

* cited by examiner

Primary Examiner—Philip S Hyder
Assistant Examiner—Susan E Krakower
(74) *Attorney, Agent, or Firm*—Thomas I. Rozsa

(57) **CLAIM**

The ornamental design for a shallow recessed lighting fixture, as shown and described.

DESCRIPTION

FIG. 1 is a perspective view of the shallow recessed lighting fixture, showing my design;

FIG. 2 is an enlarged right side elevational view;

FIG. 3 is a an enlarged left side elevational view;

FIG. 4 is a top plan view;

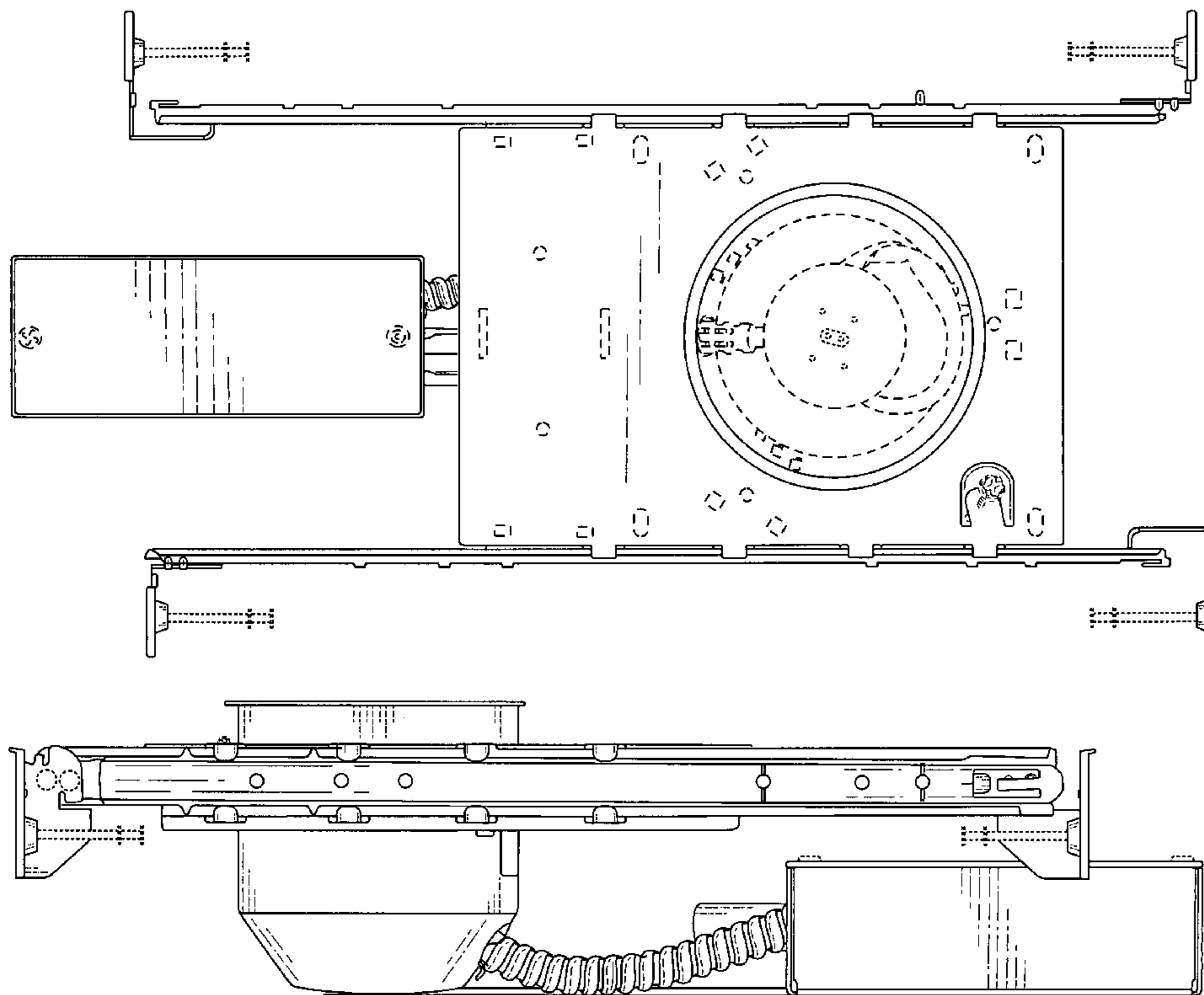
FIG. 5 is a bottom plan view;

FIG. 6 is a front elevational view; and,

FIG. 7 is a rear elevational view.

The broken lines in the drawings represent unclaimed portions of the shallow recessed lighting fixture.

1 Claim, 6 Drawing Sheets



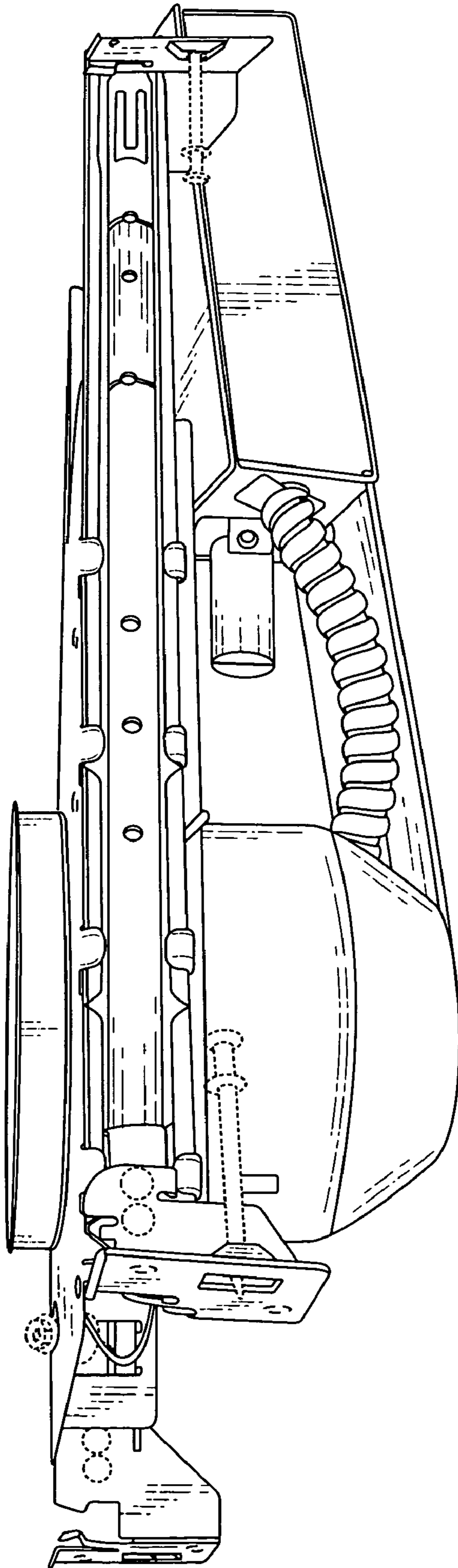


FIG. 1

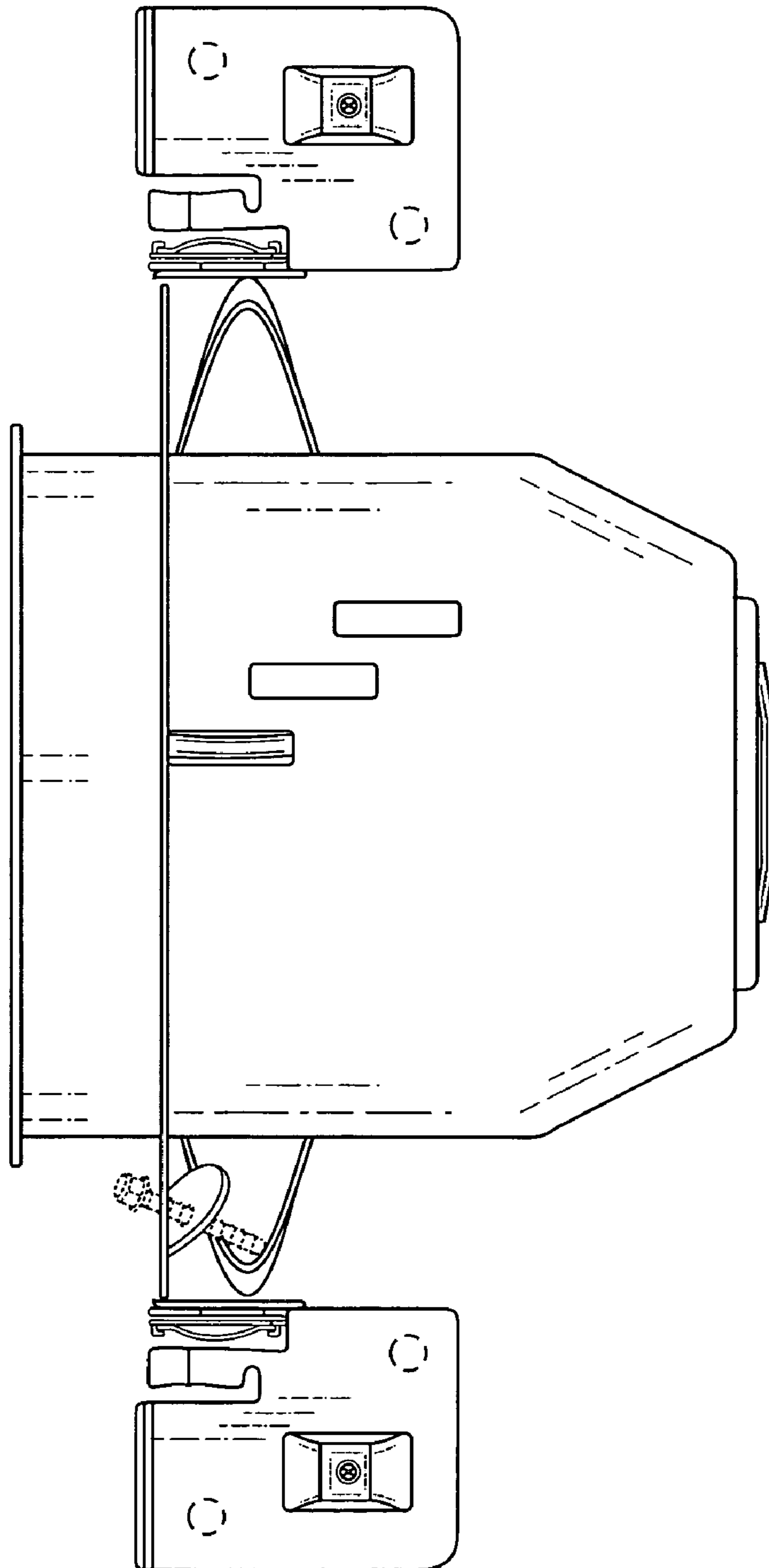


FIG. 2

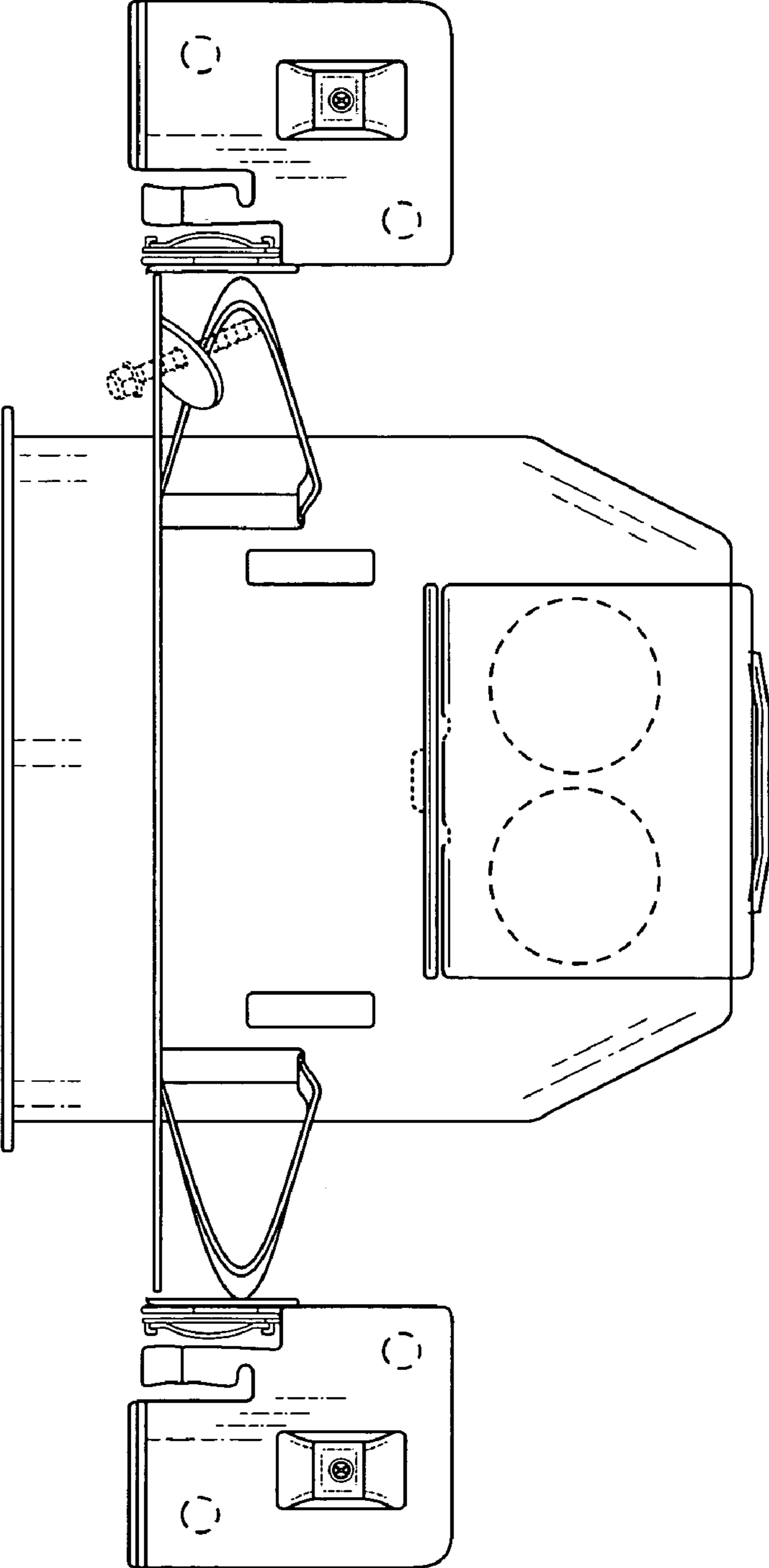


FIG. 3

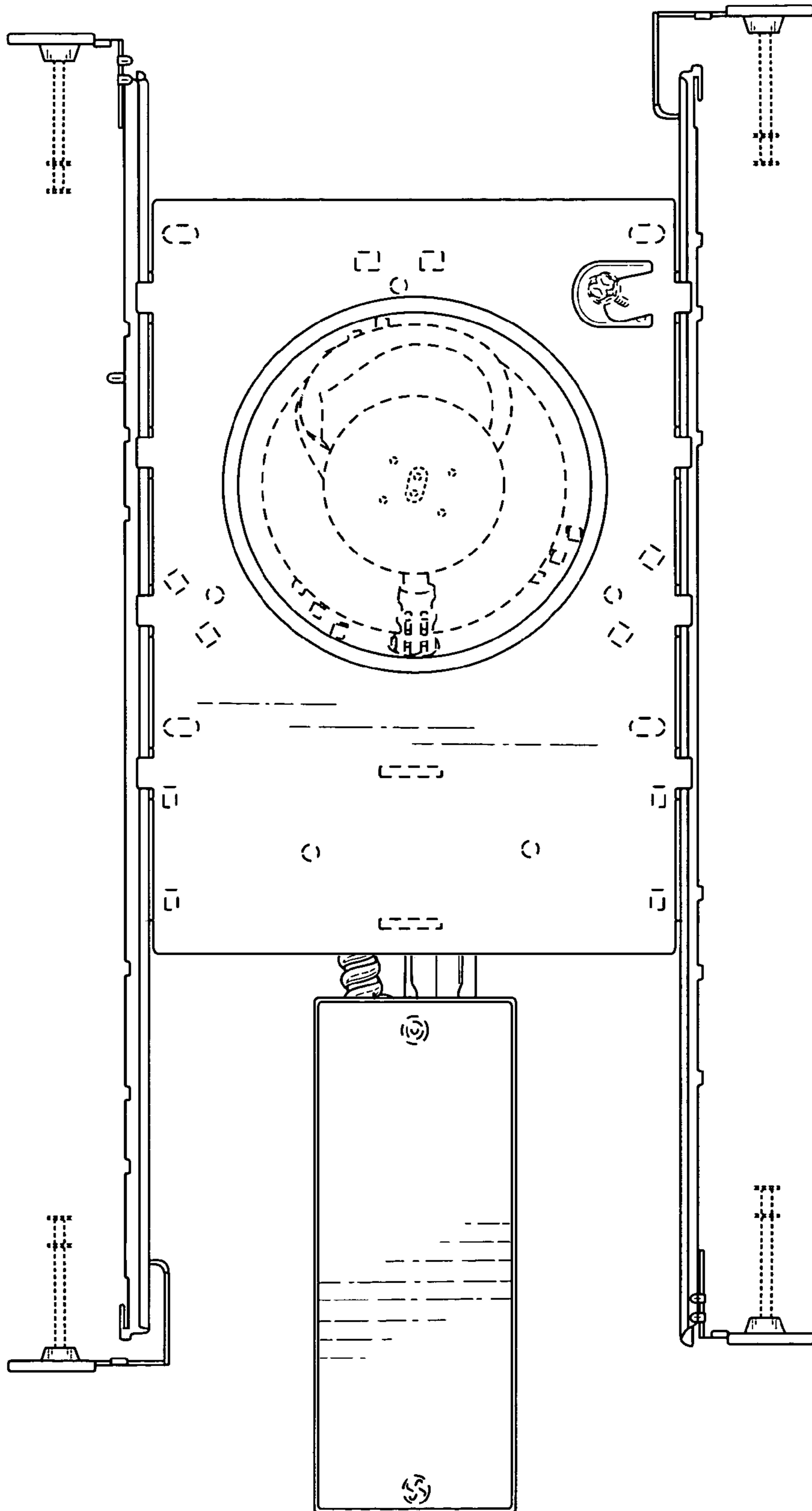


FIG. 4

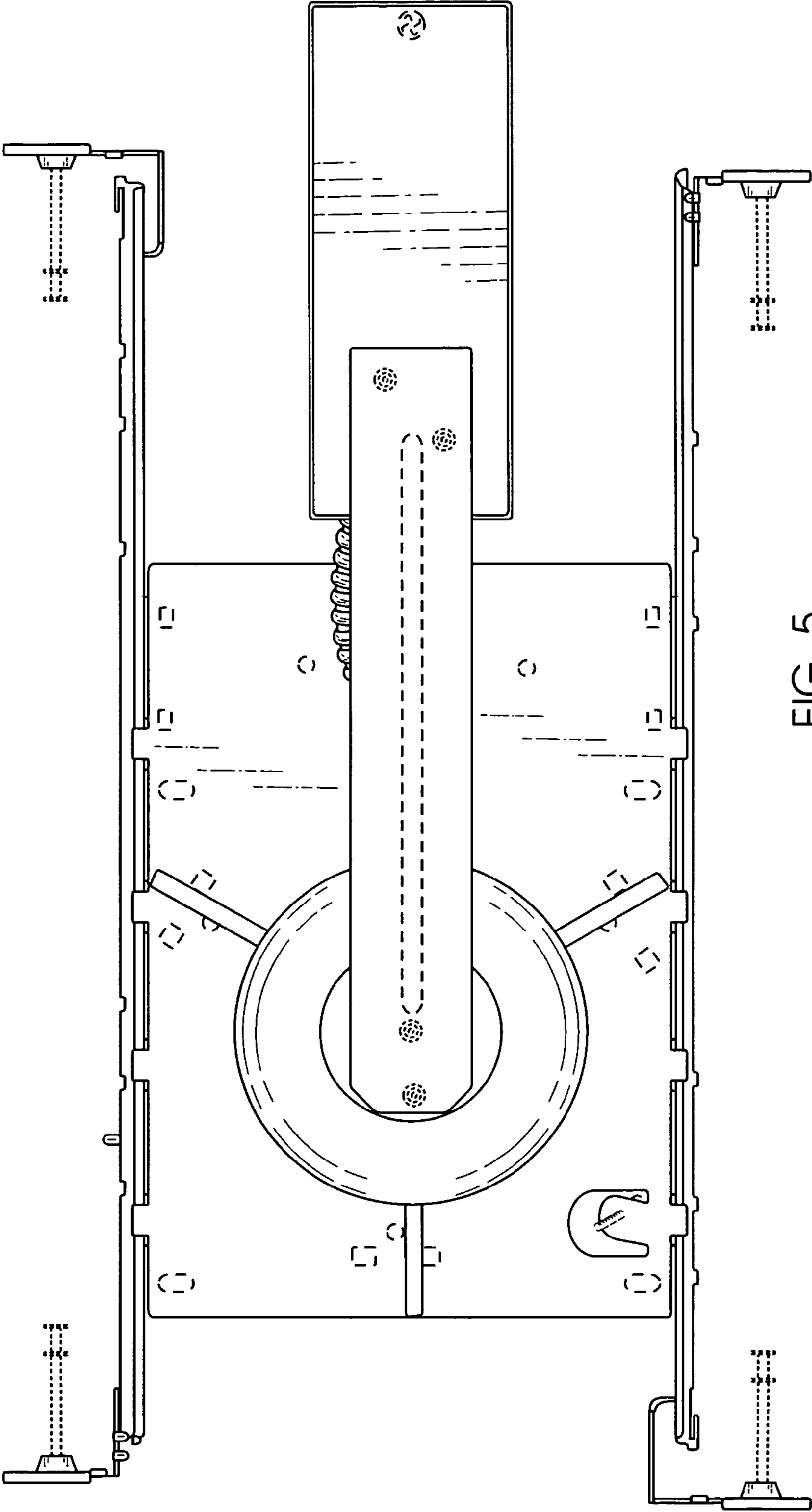


FIG. 5

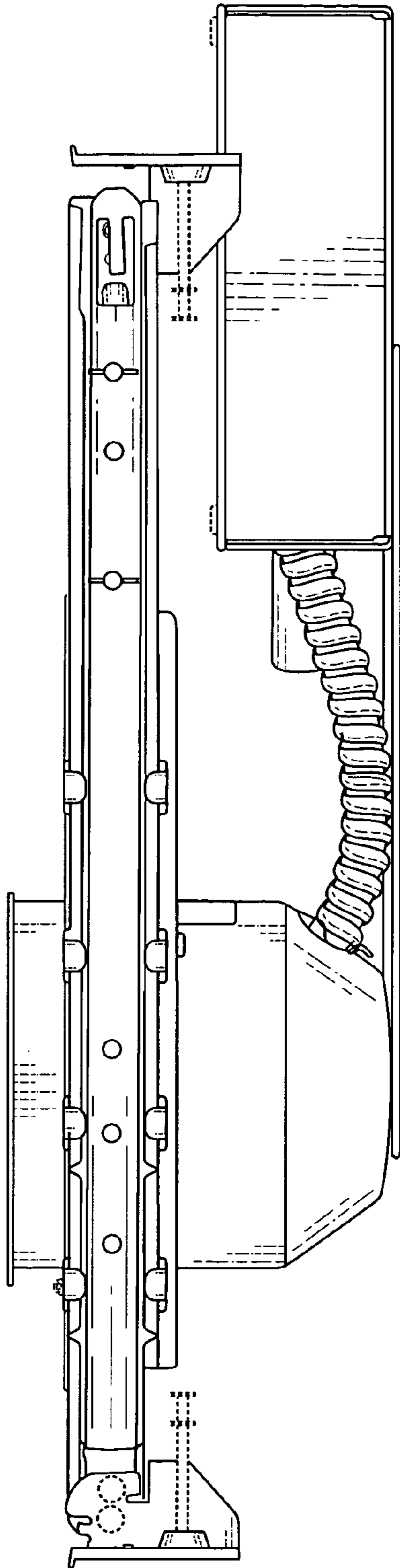


FIG. 6

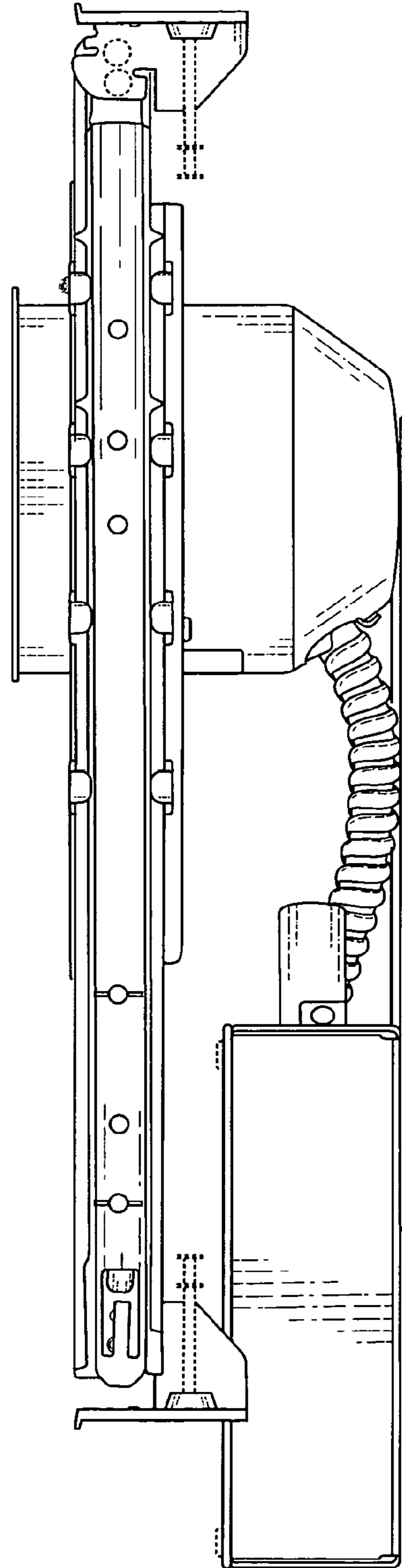


FIG. 7