



US00D613443S

(12) **United States Design Patent**
Chen

(10) **Patent No.:** **US D613,443 S**

(45) **Date of Patent:** **** Apr. 6, 2010**

(54) **LIGHTING FIXTURE**

(75) Inventor: **Jen-Shyan Chen**, Hsinchu (TW)

(73) Assignee: **Neobulb Technologies, Inc.** (BN)

(**) Term: **14 Years**

(21) Appl. No.: **29/300,993**

(22) Filed: **Jun. 9, 2008**

(30) **Foreign Application Priority Data**

Feb. 1, 2008 (TW) 97300612

(51) **LOC (9) Cl.** **26-05**

(52) **U.S. Cl.** **D26/70; D26/84**

(58) **Field of Classification Search** D26/67-72,
D26/84, 85, 92; 362/145, 152, 183, 294,
362/373, 414, 431, 545, 800, 249.02, 249.03,
362/249.14

See application file for complete search history.

(56) **References Cited**

U.S. PATENT DOCUMENTS

D203,351 S * 12/1965 Bobrick D26/69
D235,914 S * 7/1975 Schacht D26/84
D333,009 S * 2/1993 Solberg et al. D26/68
D339,650 S * 9/1993 Vieyra D26/84
D356,653 S * 3/1995 McVicker D26/69

D406,671 S * 3/1999 Tsuji D26/84
D407,520 S * 3/1999 Dolan D26/84
5,975,726 A * 11/1999 Latimer 362/384
D578,696 S * 10/2008 Wang et al. D26/70
7,618,150 B2 * 11/2009 Chien 362/35
2004/0213004 A1 * 10/2004 Swee et al. 362/432
2009/0237927 A1 * 9/2009 Zheng et al. 362/235
2009/0303714 A1 * 12/2009 Kanpurwala et al. 362/235

* cited by examiner

Primary Examiner—Clare E Heflin

(74) *Attorney, Agent, or Firm*—Thomas, Kayden, Horstemeyer & Risley, LLP.

(57) **CLAIM**

The ornamental design for an lighting fixture, as shown and described.

DESCRIPTION

FIG. 1 is a perspective view of an lighting fixture showing our design;

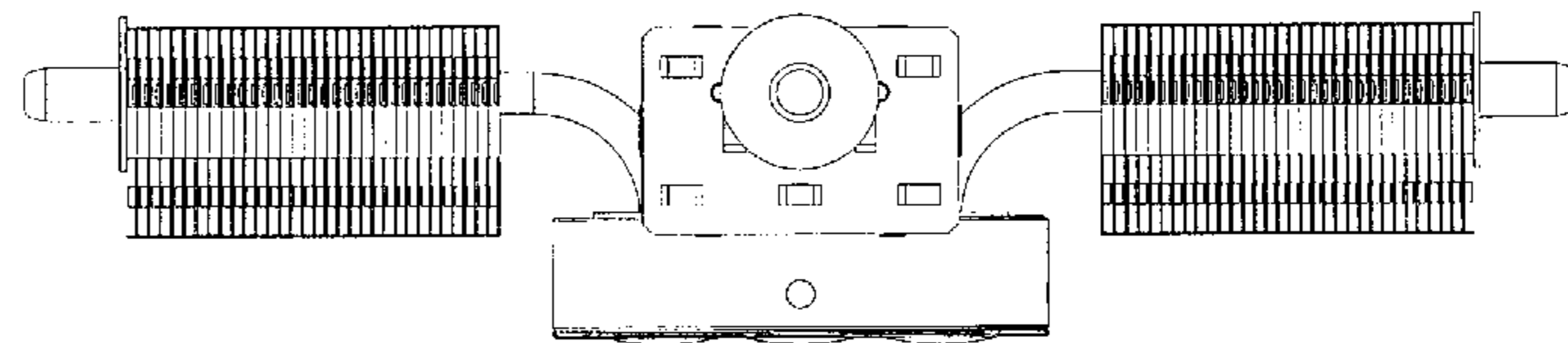
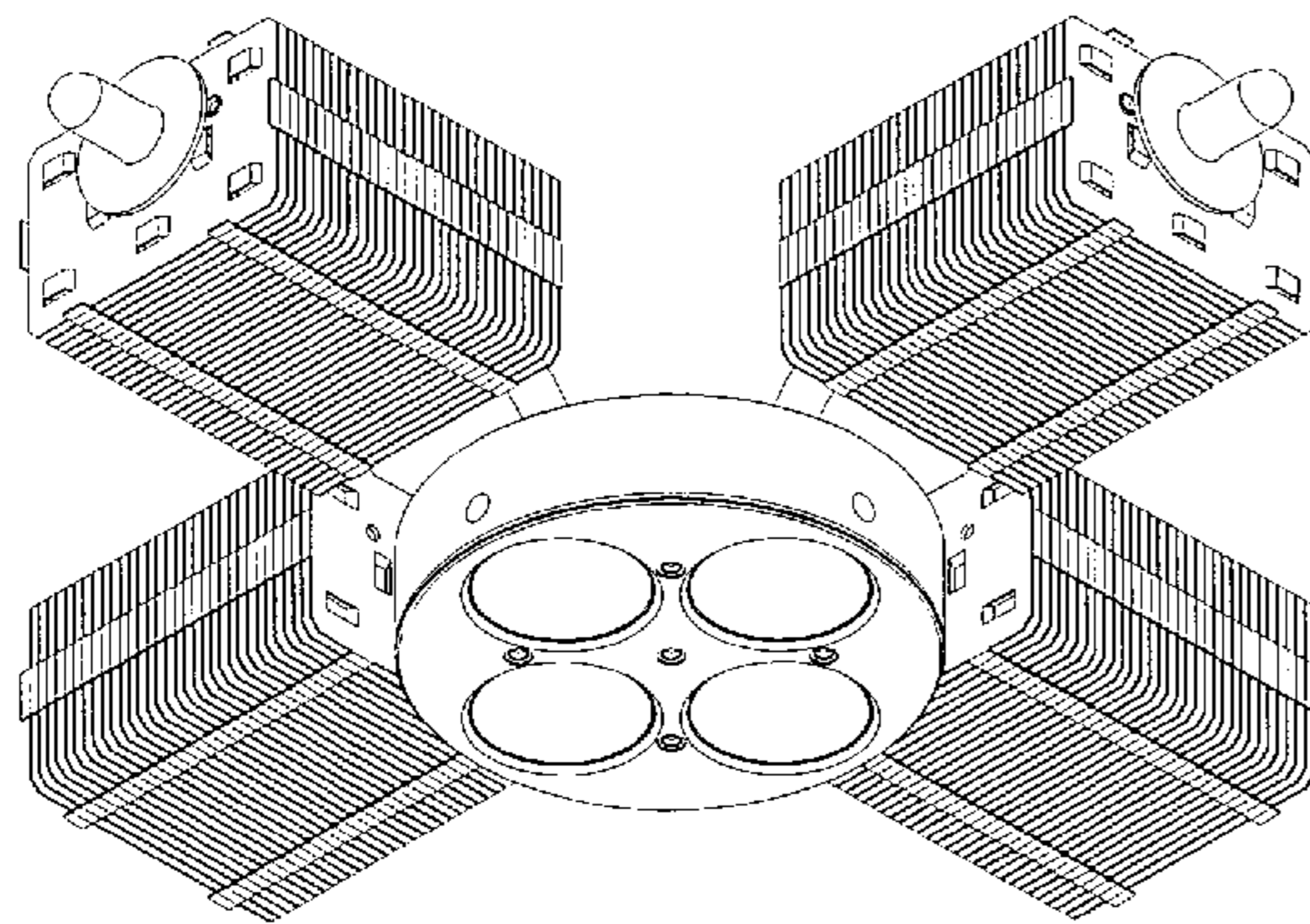
FIG. 2 is another perspective view thereof;

FIG. 3 is a top plan view thereof;

FIG. 4 is a bottom plan view thereof; and,

FIG. 5 is a front elevation view thereof, the rear, left, and right elevation views thereof each being the same as the front.

1 Claim, 4 Drawing Sheets



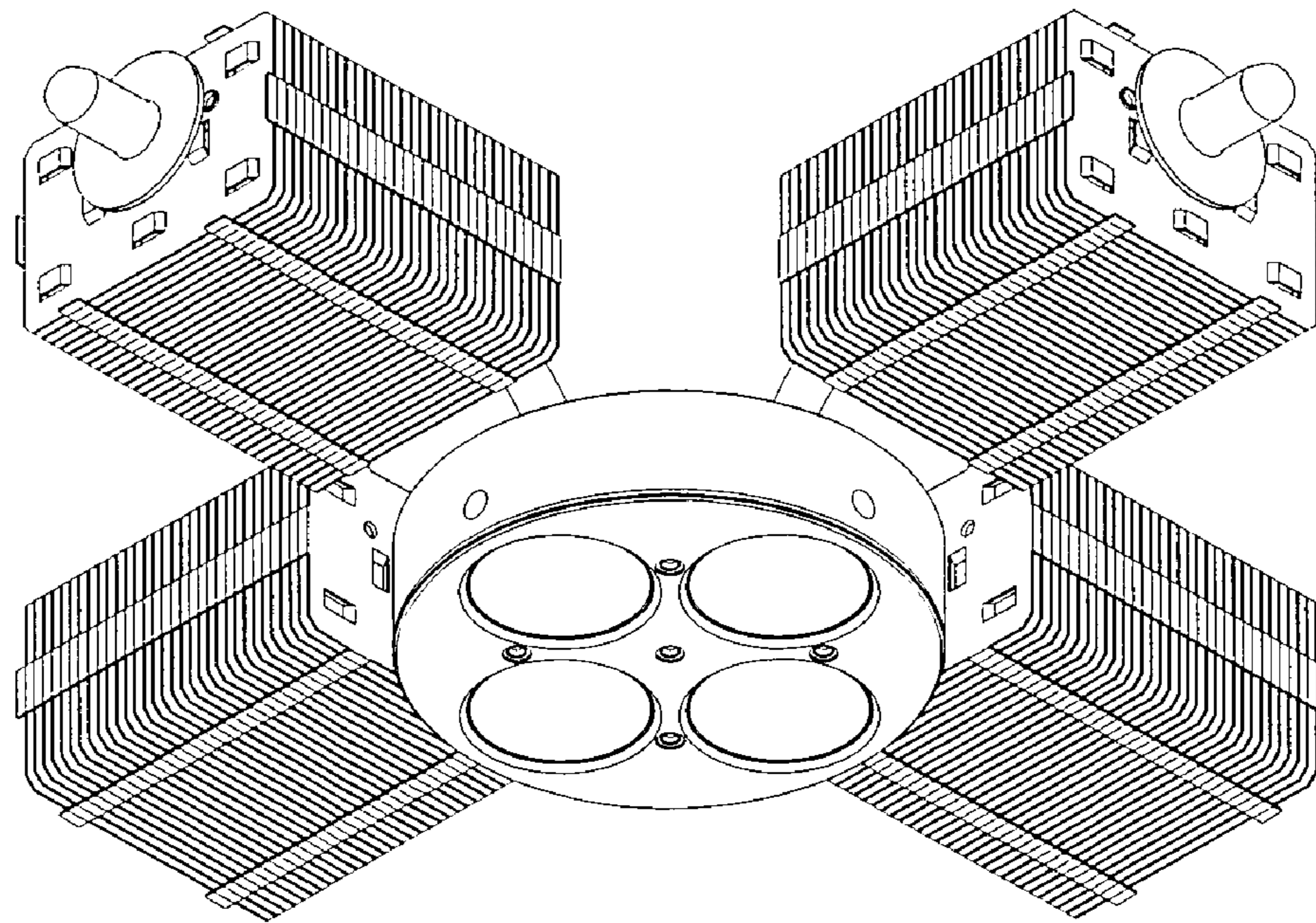


FIG. 1

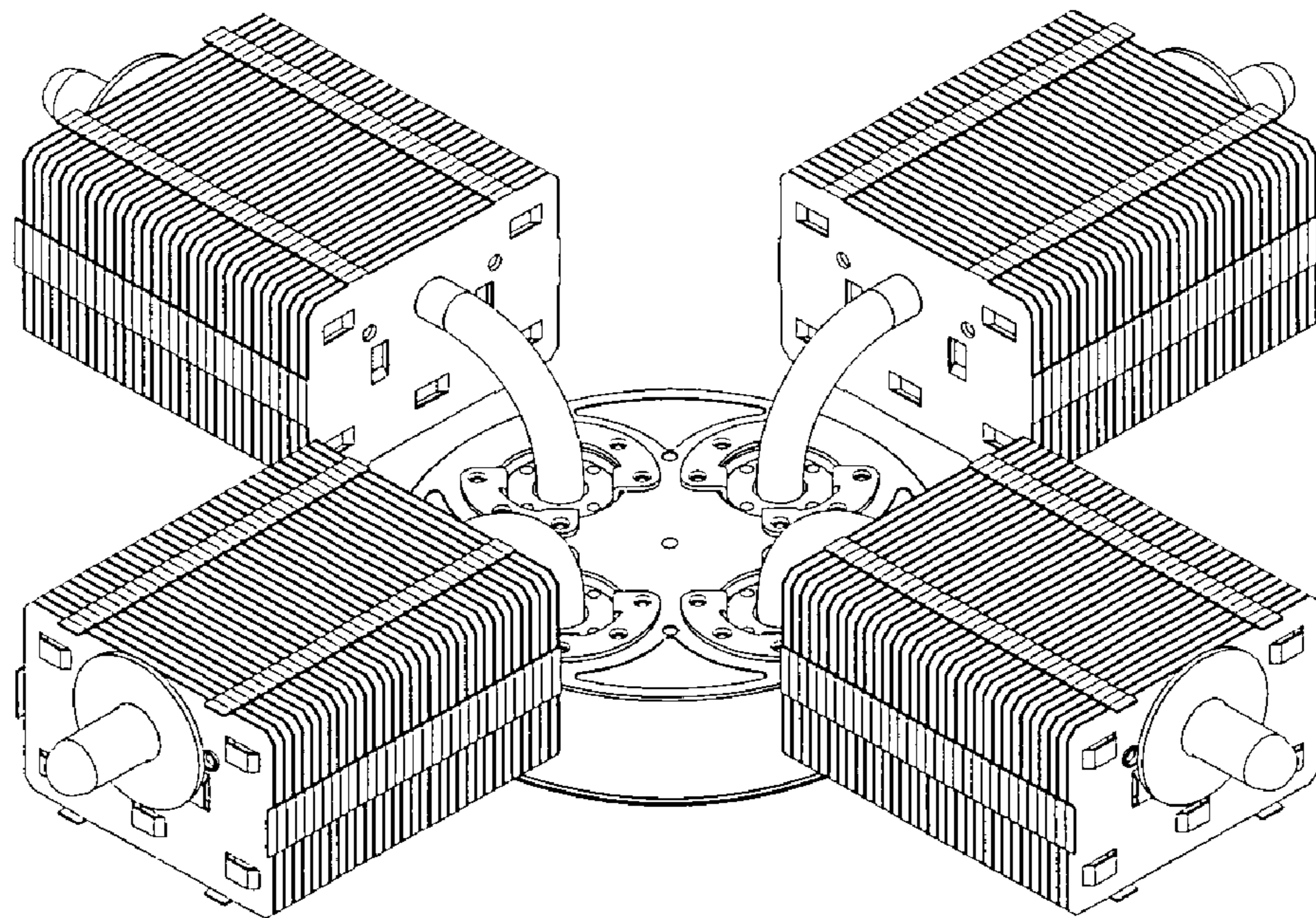


FIG. 2

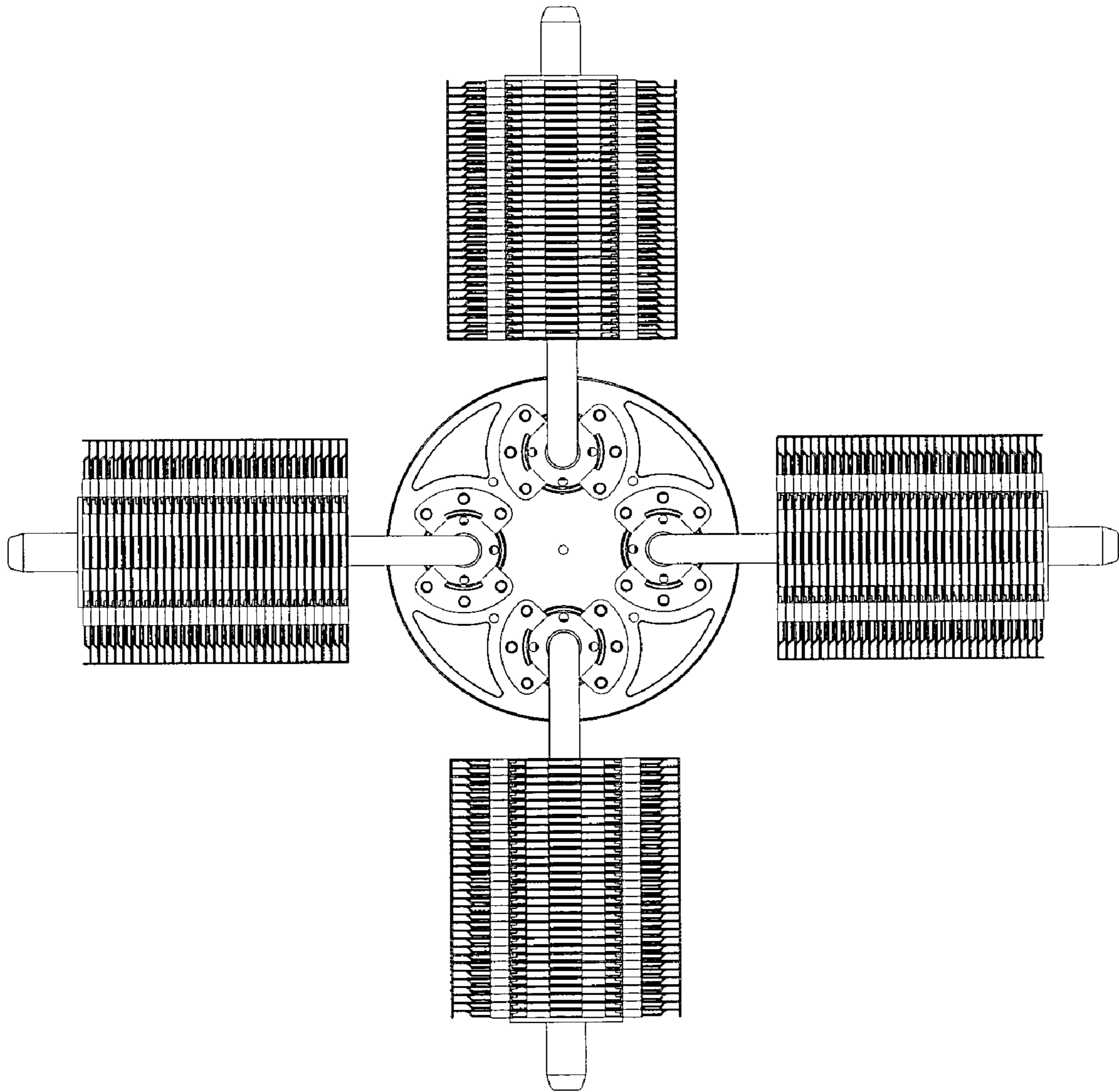


FIG. 3

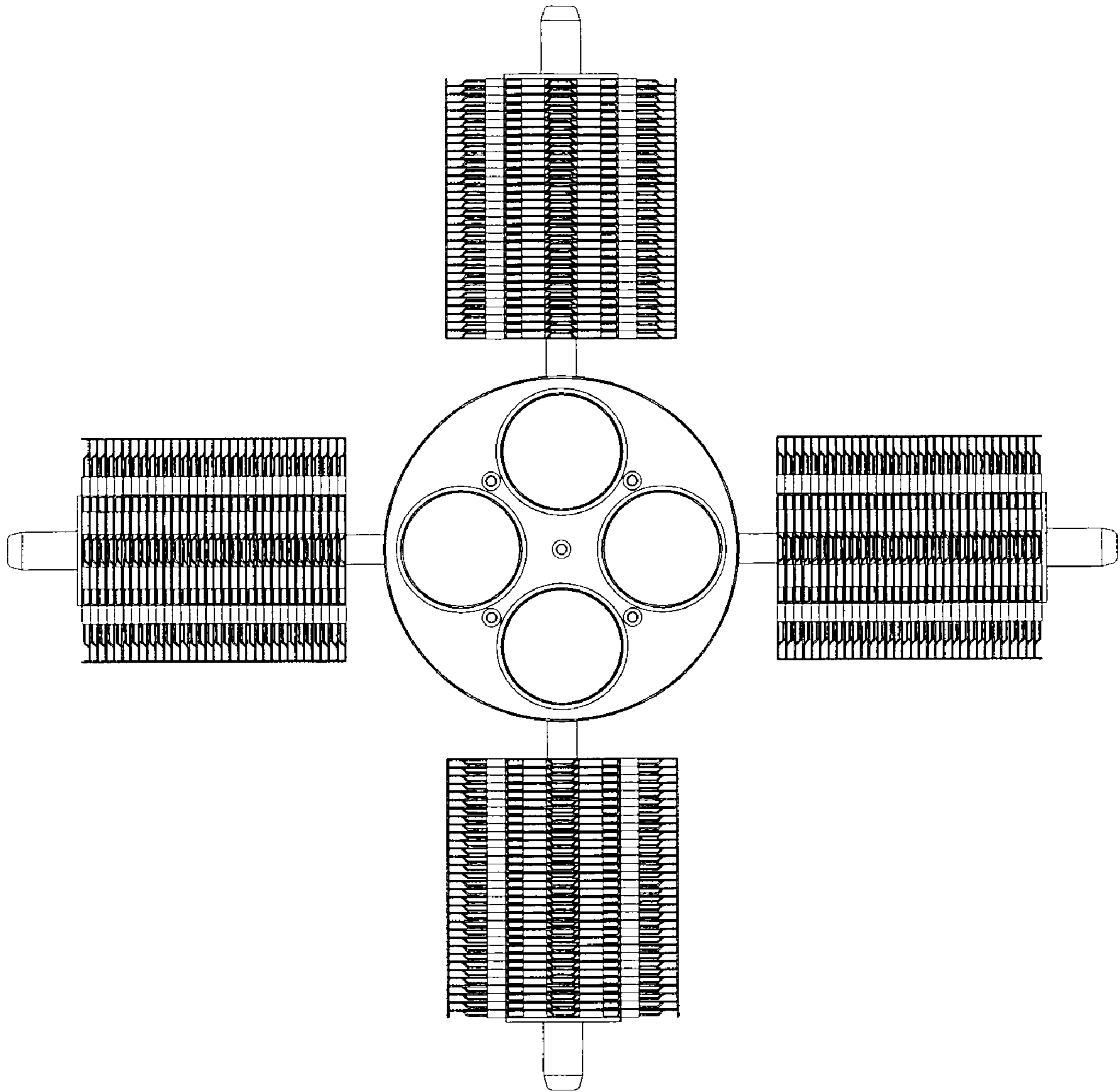


FIG. 4

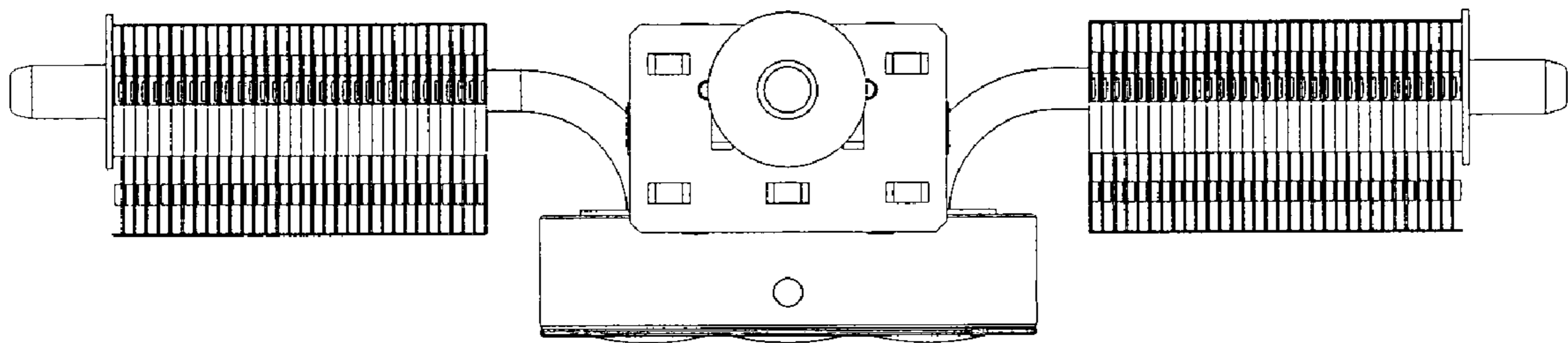


FIG. 5