



US00D613442S

(12) **United States Design Patent**
Liang

(10) **Patent No.:** **US D613,442 S**
(45) **Date of Patent:** **** Apr. 6, 2010**

(54) **SOLAR POWERED LAMP**

(76) Inventor: **Qinghui Liang**, Room 705, No. 20
Yingchuan Lane, Shishi City, Fujian
Province (CN)

(**) Term: **14 Years**

(21) Appl. No.: **29/320,835**

(22) Filed: **Jul. 6, 2008**

(51) **LOC (9) Cl.** **26-05**

(52) **U.S. Cl.** **D26/67**

(58) **Field of Classification Search** D26/24,
D26/67-71, 80; 362/153.1, 157, 183, 431
See application file for complete search history.

(56) **References Cited**

U.S. PATENT DOCUMENTS

1,761,868	A *	6/1930	Burke	362/812
2,920,184	A *	1/1960	Kessler	362/152
D220,580	S *	4/1971	Edenberg	D26/80
D226,626	S *	4/1973	Sundstrom	D26/80
D252,234	S *	6/1979	Asaki	D26/71
4,611,265	A *	9/1986	Davis	362/145
4,843,525	A *	6/1989	Williams	362/157

D359,374	S *	6/1995	Weinstock	D26/80
D374,737	S *	10/1996	Can	D26/80
D530,033	S *	10/2006	Izardel	D26/67
7,244,042	B1 *	7/2007	Bieberdorf	362/183
D574,104	S *	7/2008	Sanoner	D26/67
7,585,085	B1 *	9/2009	Holman	362/183
2005/0174776	A1 *	8/2005	Althaus	362/276

* cited by examiner

Primary Examiner—Clare E Heflin

(57) **CLAIM**

The ornamental design for a solar powered lamp, as shown.

DESCRIPTION

FIG. 1 is a front elevational view of a solar powered lamp showing my new design;

FIG. 2 is a rear elevational view thereof;

FIG. 3 is a left side view thereof;

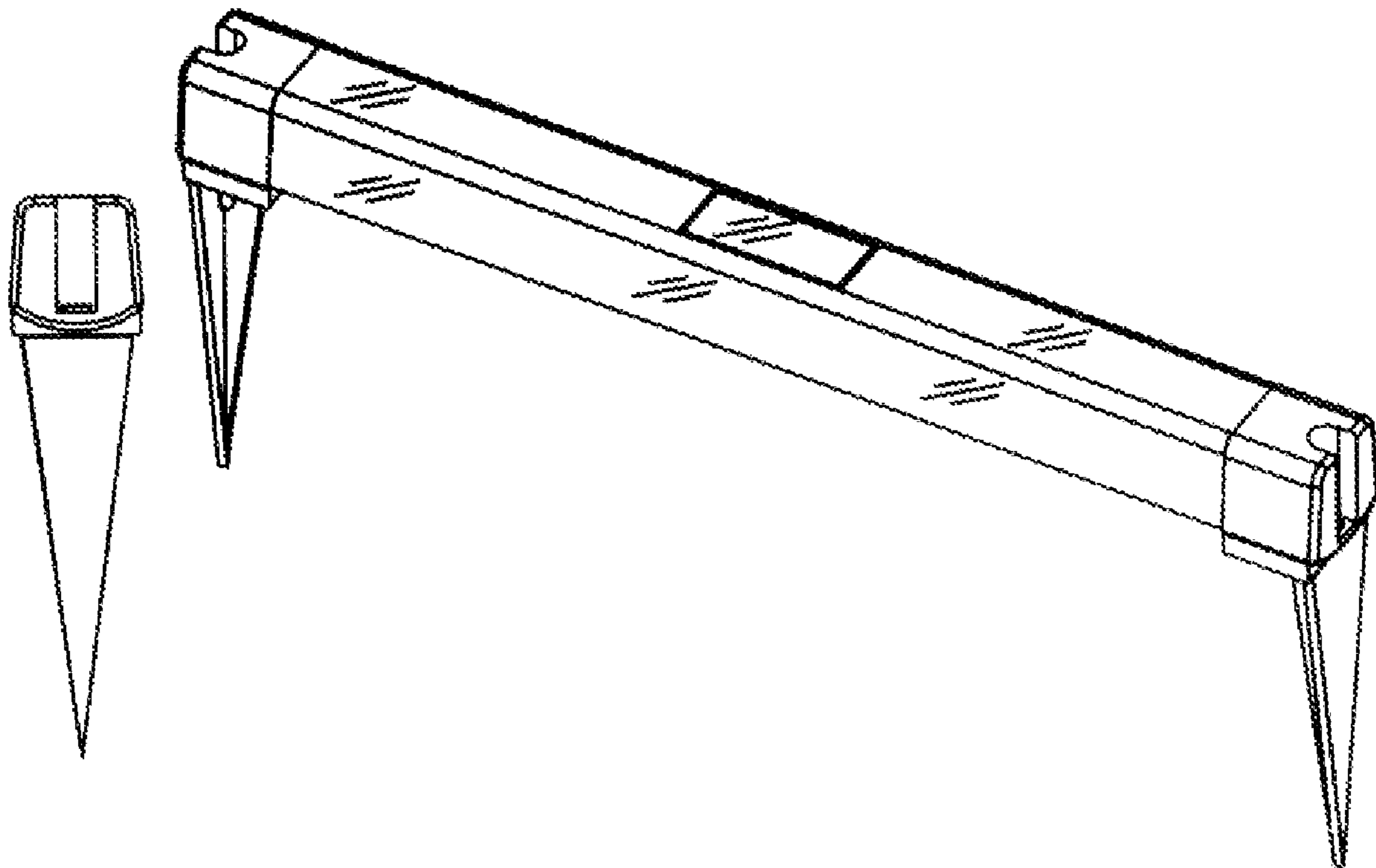
FIG. 4 is a right side view thereof;

FIG. 5 is a top plan view thereof;

FIG. 6 is a bottom plan view thereof; and,

FIG. 7 is a perspective view thereof.

1 Claim, 4 Drawing Sheets



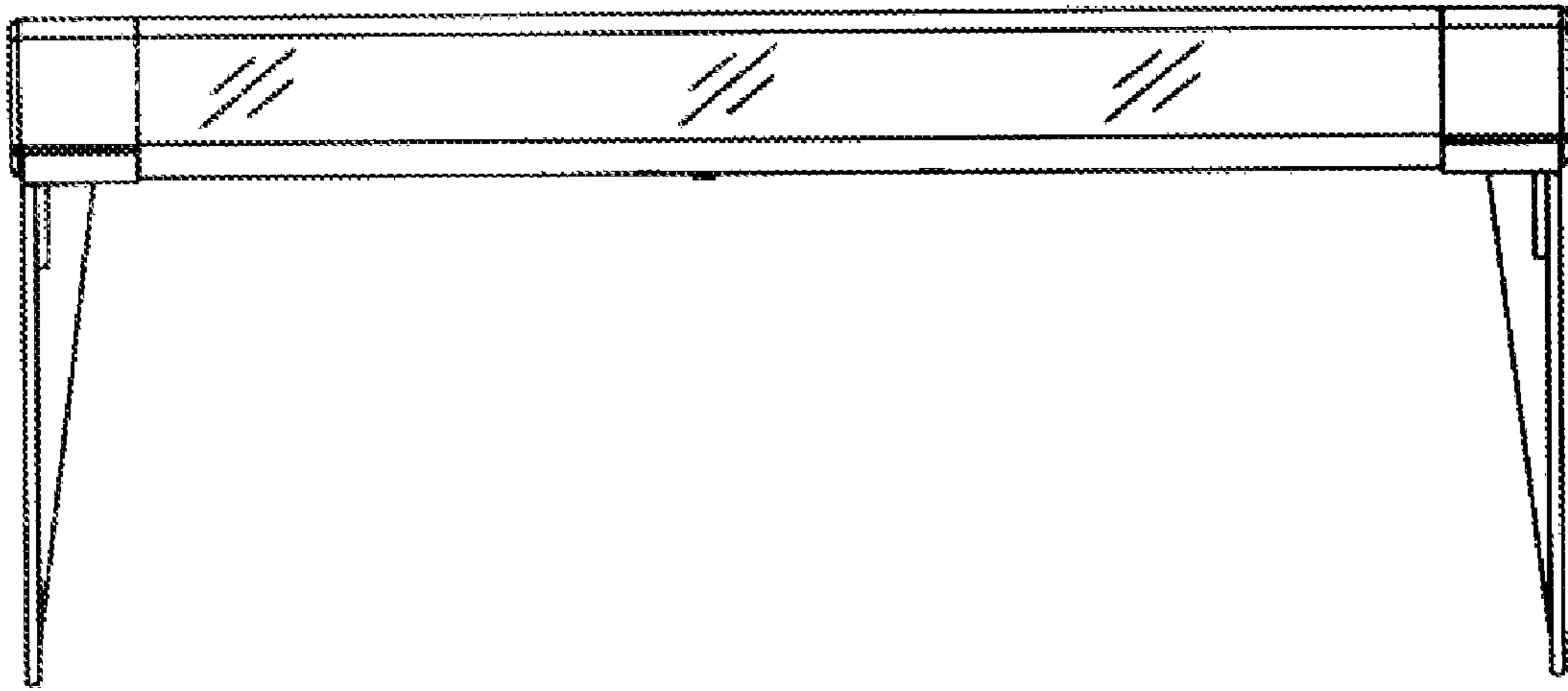


FIG. 1

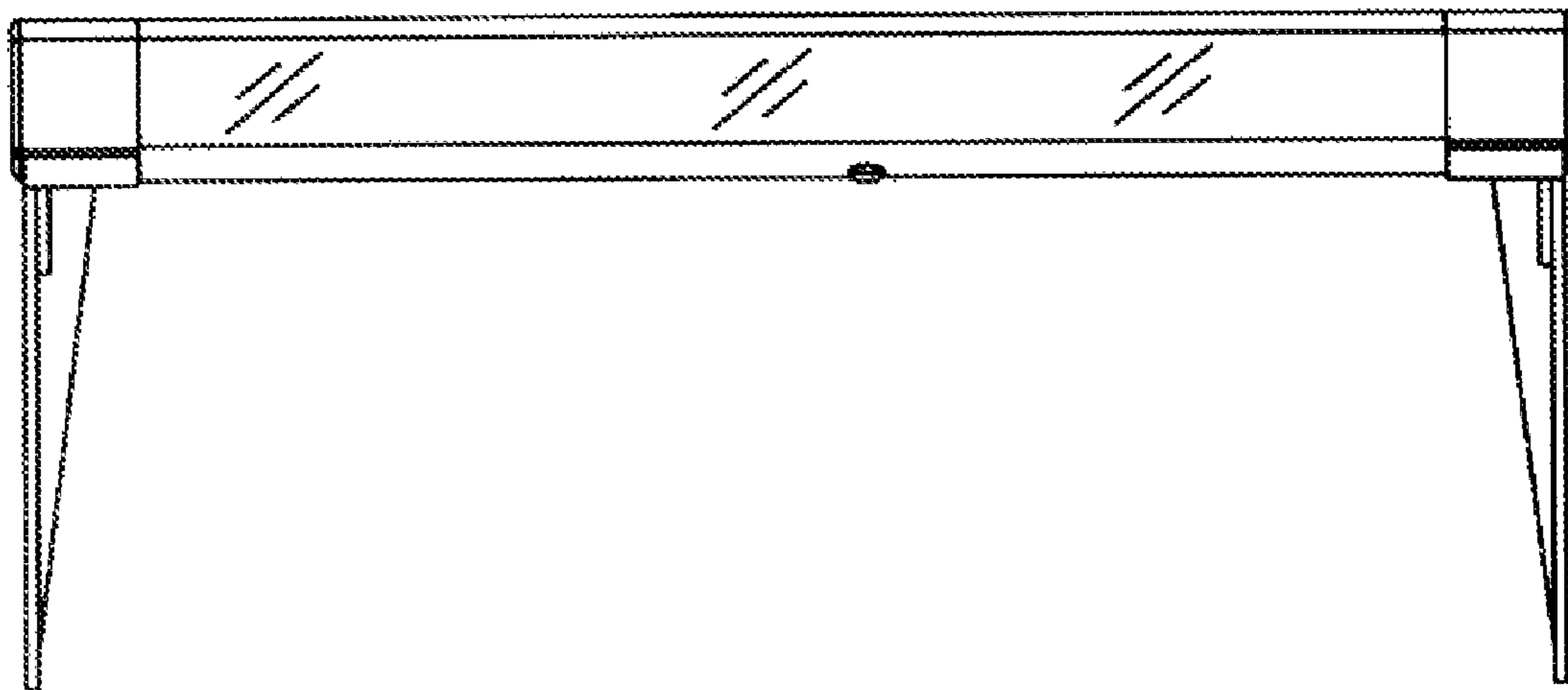


FIG. 2

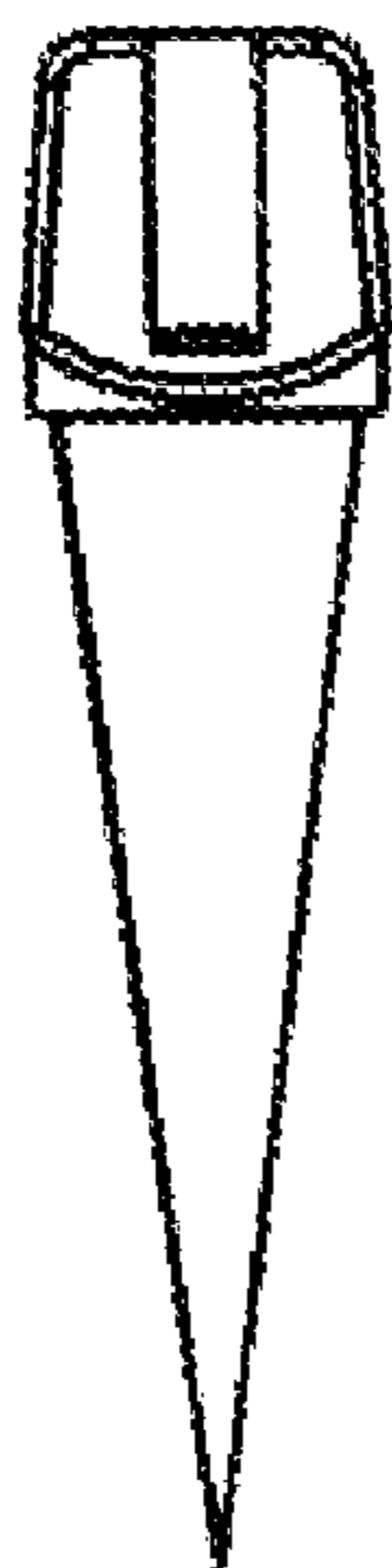


FIG. 3



FIG. 4

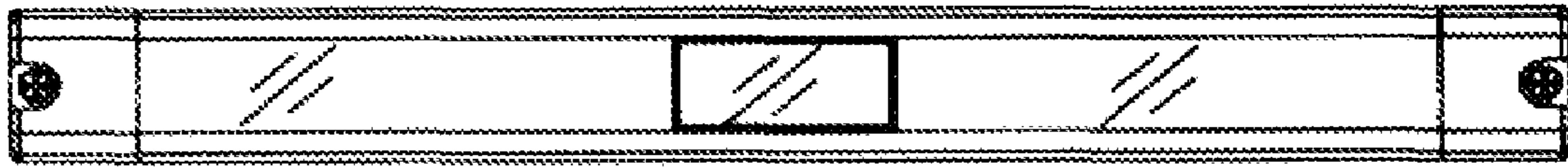


FIG. 5



FIG. 6

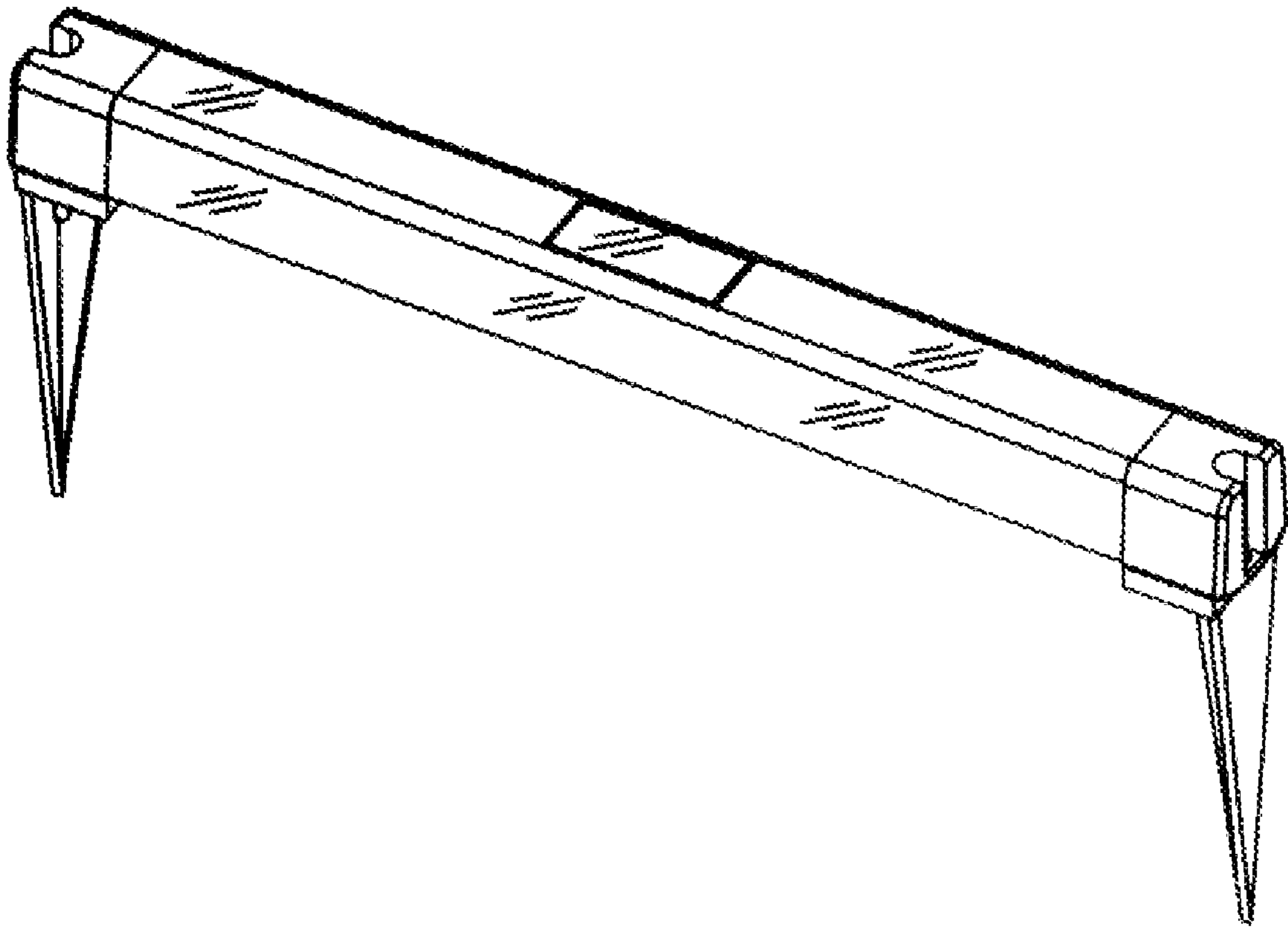


FIG. 7