



US00D613441S

(12) **United States Design Patent**  
**Dworschak et al.**

(10) **Patent No.:** **US D613,441 S**

(45) **Date of Patent:** **\*\* Apr. 6, 2010**

(54) **OUTDOOR LIGHTING FIXTURE**

(75) Inventors: **Alois Dworschak**, Luedenscheid (DE);  
**Henk Kosche**, Luedenscheid (DE)

(73) Assignee: **Erco GmbH**, Luedenscheid (DE)

(\*\*) Term: **14 Years**

(21) Appl. No.: **29/331,975**

(22) Filed: **Feb. 6, 2009**

(30) **Foreign Application Priority Data**

Aug. 25, 2008 (EP) ..... 000991872

(51) **LOC (9) Cl.** ..... **26-05**

(52) **U.S. Cl.** ..... **D26/63**

(58) **Field of Classification Search** ..... D26/60-66,  
D26/72-92, 67, 68, 71; 362/147, 269, 431,  
362/432; 174/45 R; 248/159

See application file for complete search history.

(56) **References Cited**

**U.S. PATENT DOCUMENTS**

2,516,270 A \* 7/1950 Swain ..... 40/361  
D226,020 S \* 1/1973 Anderson ..... D26/63  
D290,522 S \* 6/1987 de Vos et al. .... D26/63  
D291,360 S \* 8/1987 De Vos et al. .... D26/63  
D296,829 S \* 7/1988 Peppers ..... D26/63  
D322,135 S \* 12/1991 Wierzbicki et al. .... D26/24

D333,529 S \* 2/1993 Denison et al. .... D26/68  
D357,992 S \* 5/1995 Mehaffey ..... D26/63  
D391,382 S \* 2/1998 Rahn ..... D26/63  
D420,458 S \* 2/2000 Guercio ..... D26/63  
D547,477 S \* 7/2007 Guercio ..... D26/63  
D547,478 S \* 7/2007 Guercio ..... D26/63  
D570,024 S \* 5/2008 Guercio ..... D26/63  
D572,396 S \* 7/2008 Guercio ..... D26/63

\* cited by examiner

*Primary Examiner*—Philip S Hyder

*Assistant Examiner*—Linda G. Brooks

(74) *Attorney, Agent, or Firm*—Andrew Wilford

(57) **CLAIM**

The ornamental design for a outdoor lighting fixture, as shown and described.

**DESCRIPTION**

FIG. 1 is a perspective front view of the outdoor lighting fixture according to the invention;

FIG. 2 is a front elevational view of the invention;

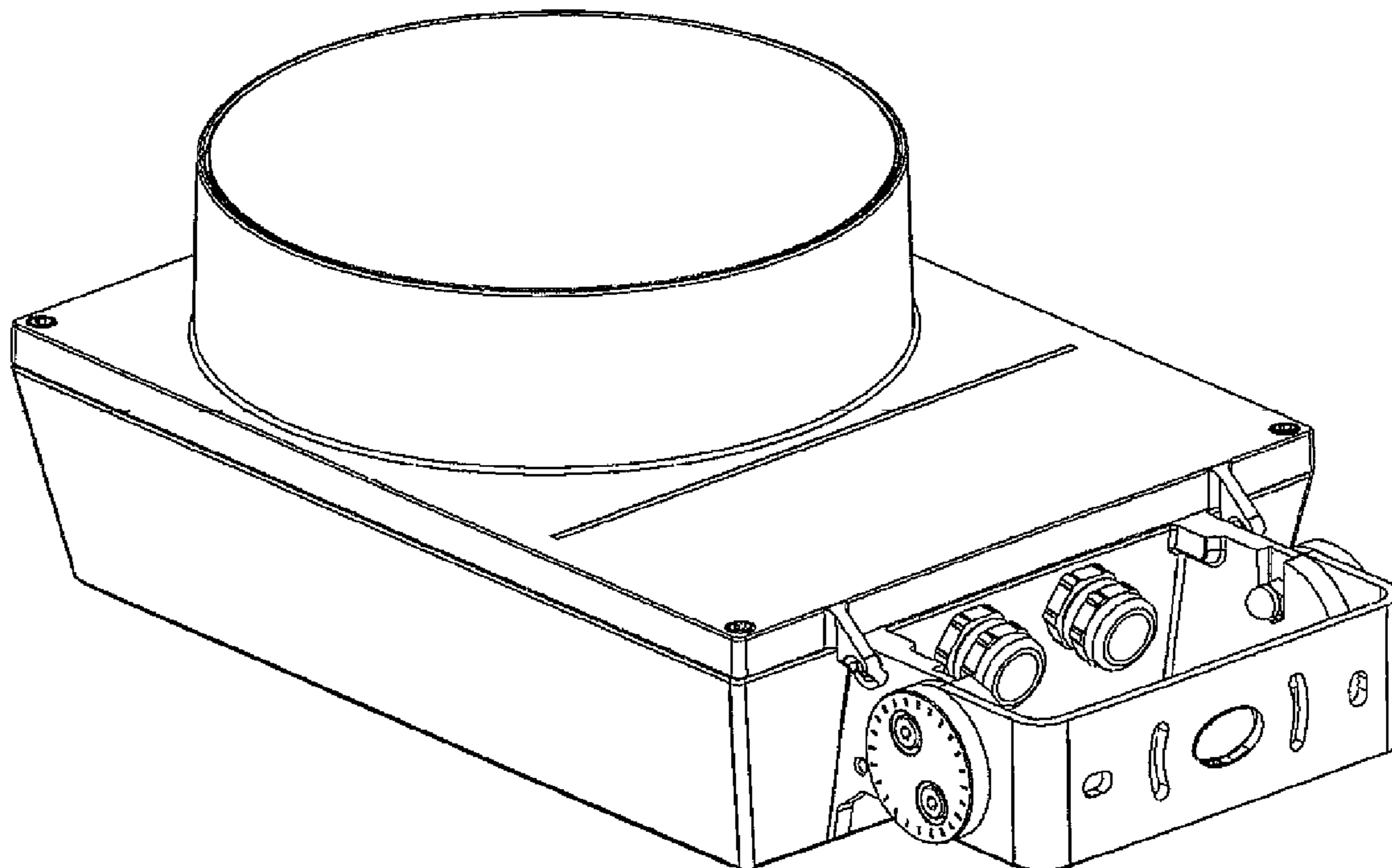
FIG. 3 is a rear elevational view of the invention;

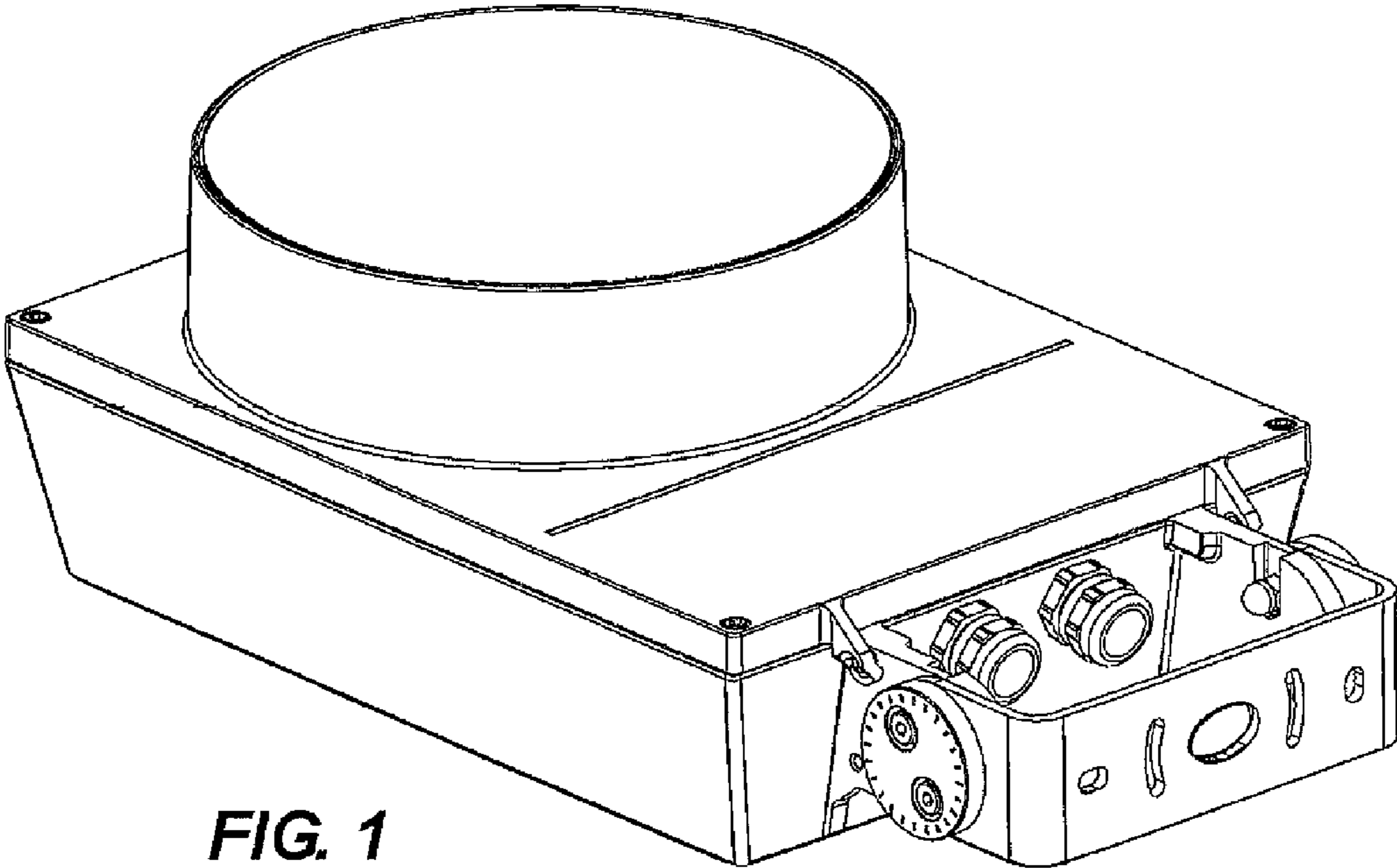
FIG. 4 is a left-side elevational view of the invention, the right side being a mirror image;

FIG. 5 is a top view of the invention; and,

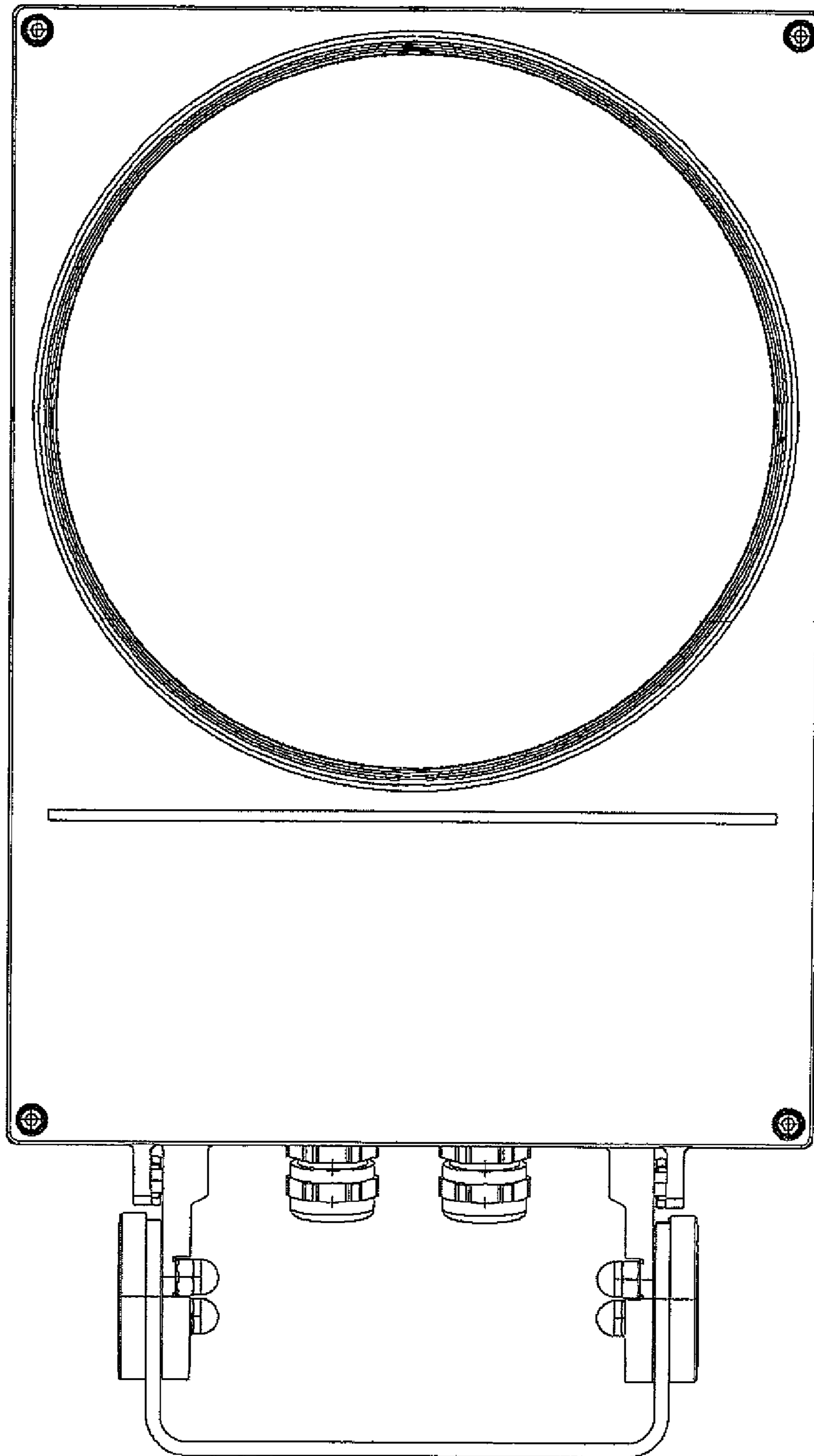
FIG. 6 is a bottom view of the invention.

**1 Claim, 6 Drawing Sheets**

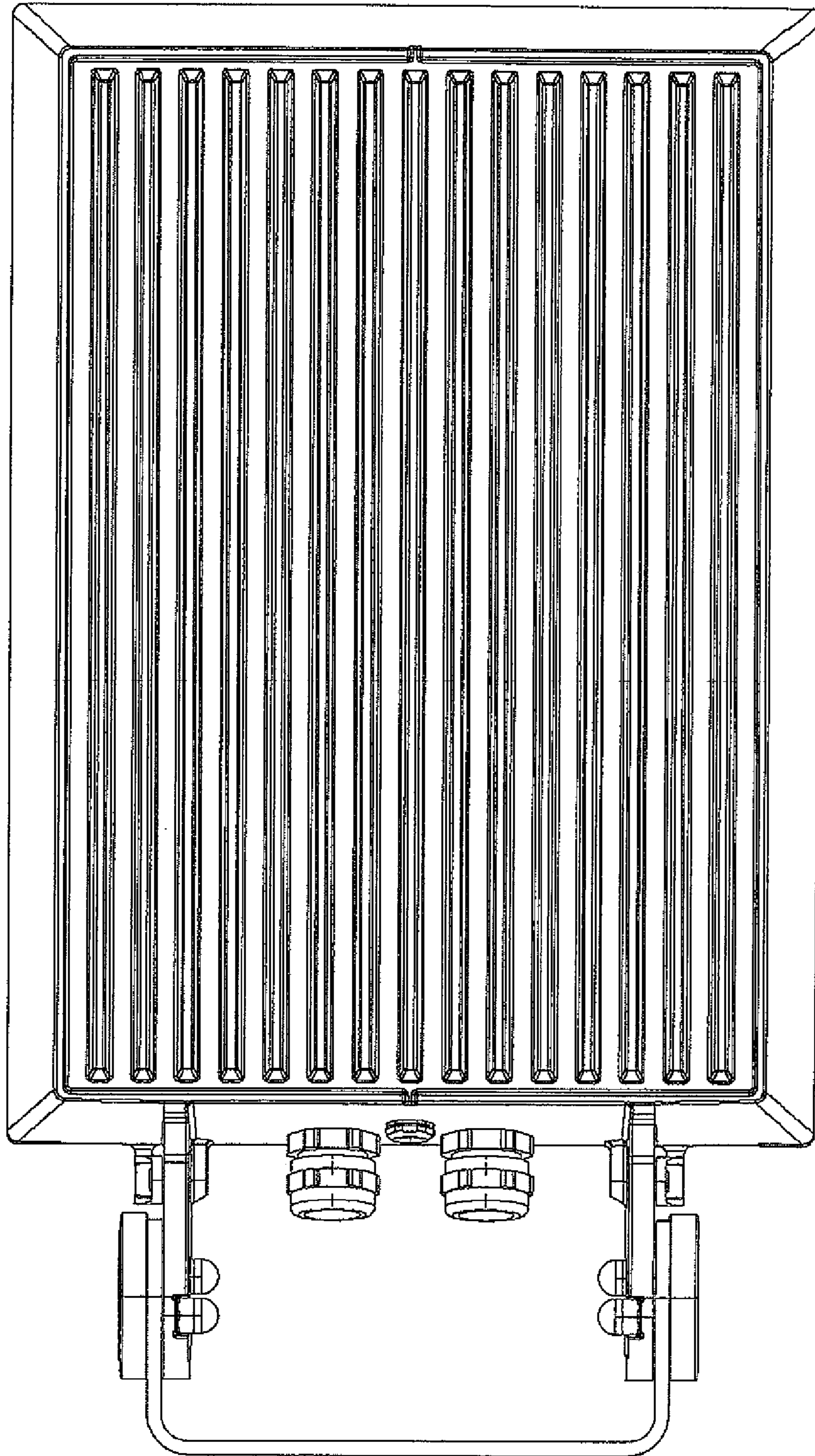




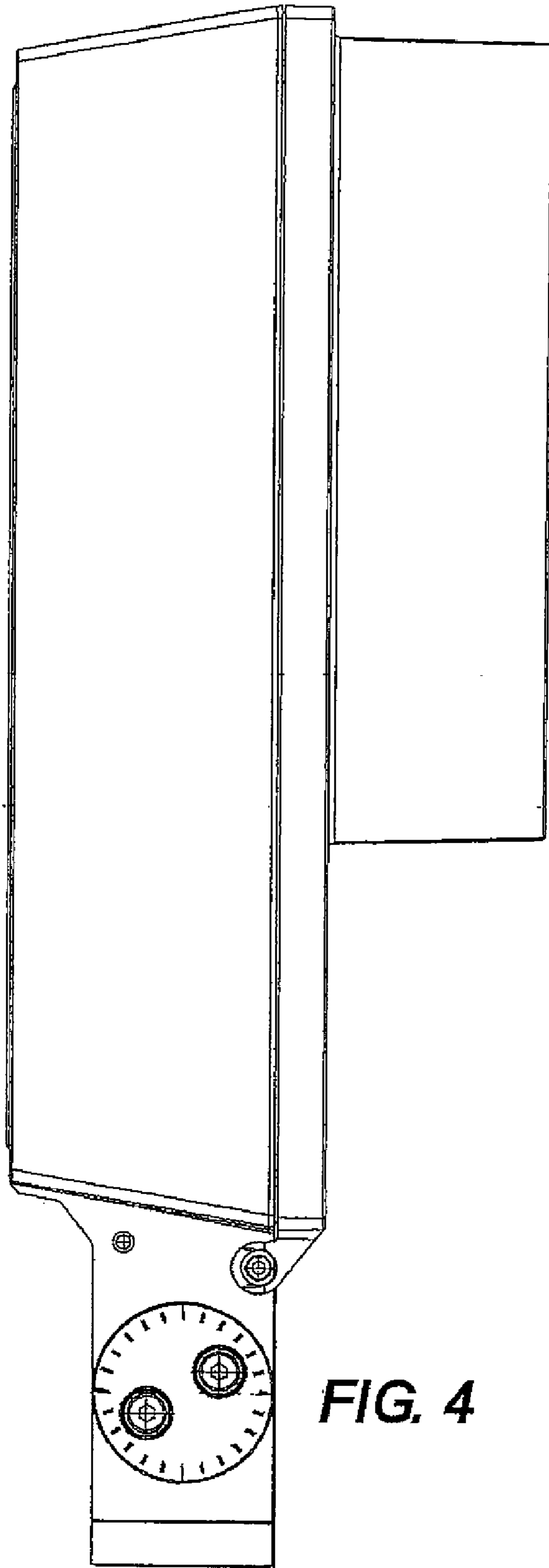
**FIG. 1**



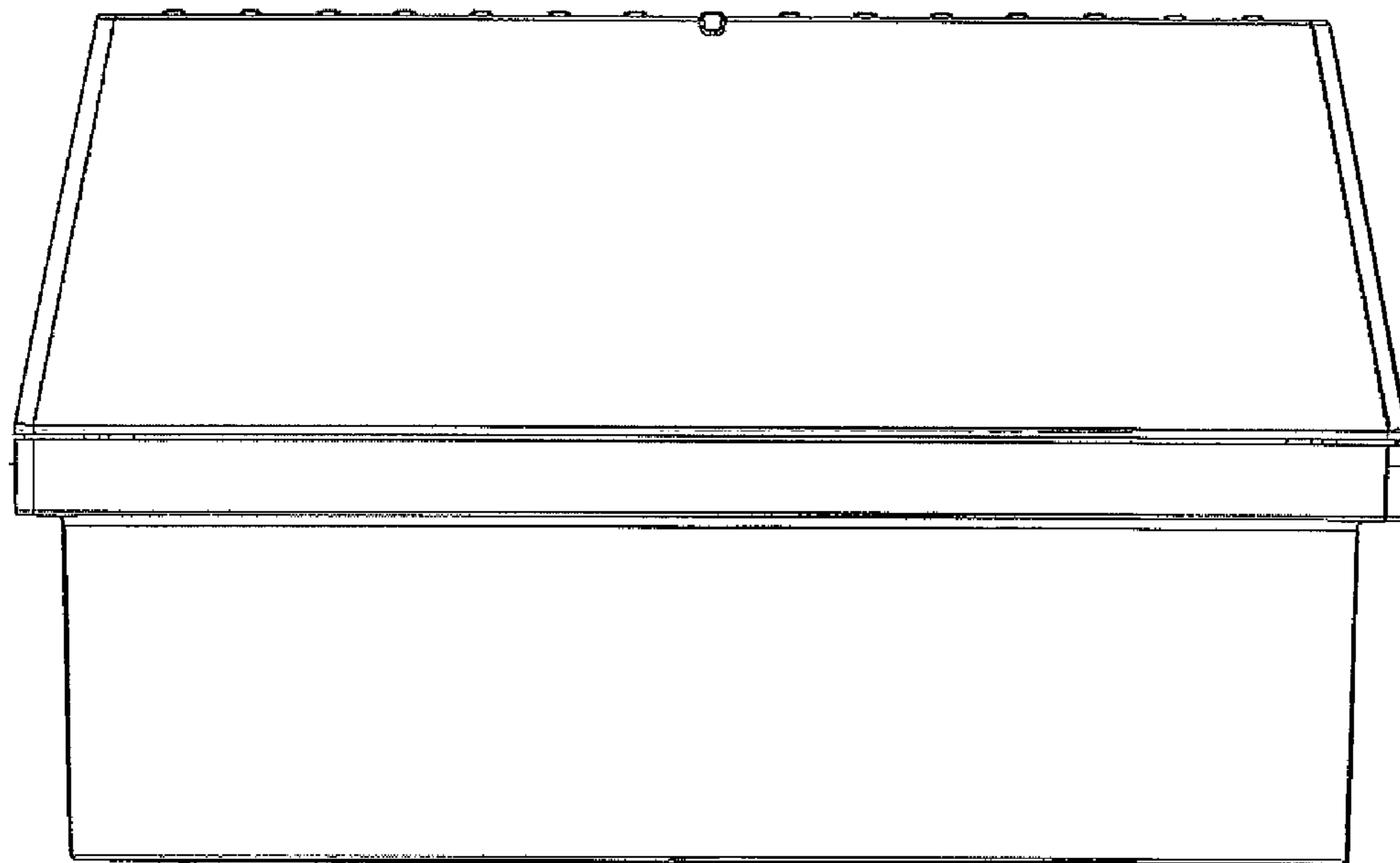
**FIG. 2**



**FIG. 3**

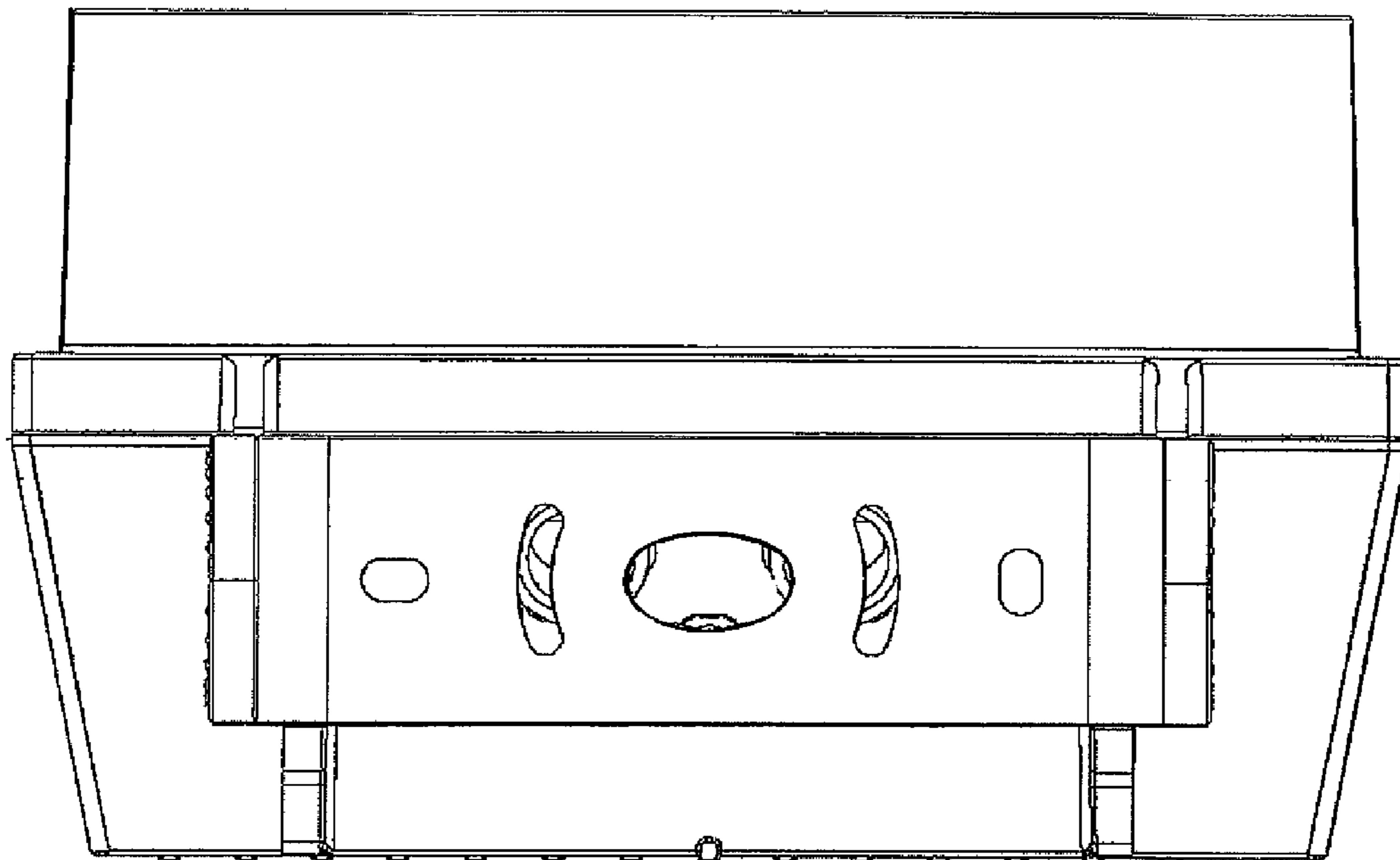


**FIG. 4**



**FIG. 5**





**FIG. 6**