



US00D613438S

(12) **United States Design Patent**
Liang

(10) **Patent No.:** **US D613,438 S**

(45) **Date of Patent:** **** Apr. 6, 2010**

(54) **FLASHLIGHT**

(75) Inventor: **Robin Liang**, Guangdong (CN)

(73) Assignee: **Taylor Brands, LLC**, Kingsport, TN (US)

(**) Term: **14 Years**

(21) Appl. No.: **29/342,352**

(22) Filed: **Aug. 24, 2009**

(51) **LOC (9) Cl.** **26-02**

(52) **U.S. Cl.** **D26/49**

(58) **Field of Classification Search** D26/37,
D26/38, 39, 45, 46, 49; 362/157, 158, 185,
362/194–196, 200–208

See application file for complete search history.

(56) **References Cited**

U.S. PATENT DOCUMENTS

4,570,208	A *	2/1986	Sassmannshausen	362/188
D353,217	S *	12/1994	Maglica	D26/49
D395,719	S *	6/1998	Concari	D26/37
D410,761	S *	6/1999	Chiu	D26/49
D443,090	S *	5/2001	Lam	D26/49
D488,877	S *	4/2004	Shin	D26/49
D502,277	S *	2/2005	Chen	D26/49
D523,576	S *	6/2006	Chen et al.	D26/38
D577,451	S *	9/2008	Shiu	D26/49
D579,595	S *	10/2008	Shiu	D26/49

D595,440	S *	6/2009	Rivera et al.	D26/49
D603,988	S *	11/2009	Sharrah	D26/49
2006/0164828	A1 *	7/2006	Kim	362/204

* cited by examiner

Primary Examiner—Ian Simmons

Assistant Examiner—Carissa C Fitts

(74) *Attorney, Agent, or Firm*—Luedeka, Neely & Graham, PC

(57) **CLAIM**

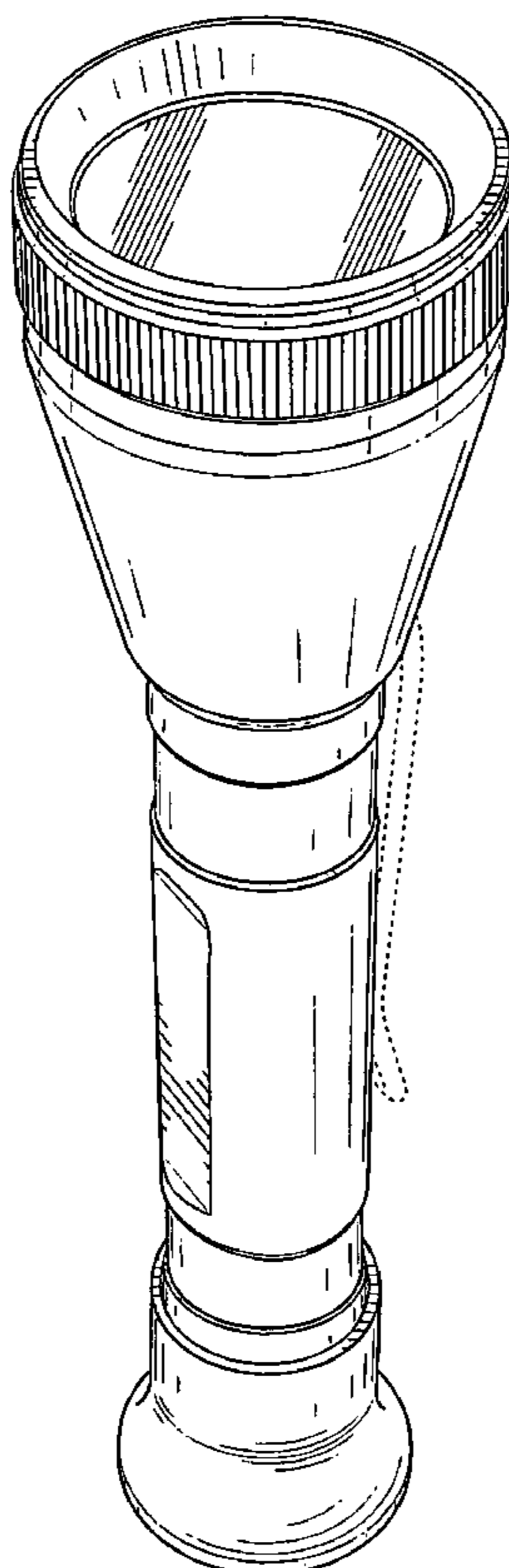
The ornamental design for a flashlight, as shown and described.

DESCRIPTION

FIG. 1 is perspective view of the flashlight of my new design; FIG. 2 is a bottom view of the flashlight of my new design; FIG. 3 is a top view of the flashlight of my new design; FIG. 4 is a right side view of the flashlight of my new design; FIG. 5 is a left side view of the flashlight of my new design; FIG. 6 is a rear end view of the flashlight of my new design; and,

FIG. 7 is a front end view of the flashlight of my new design. The broken line portions of the drawings are included for the purpose of illustrating unclaimed structure and form no part of the claimed design.

1 Claim, 7 Drawing Sheets



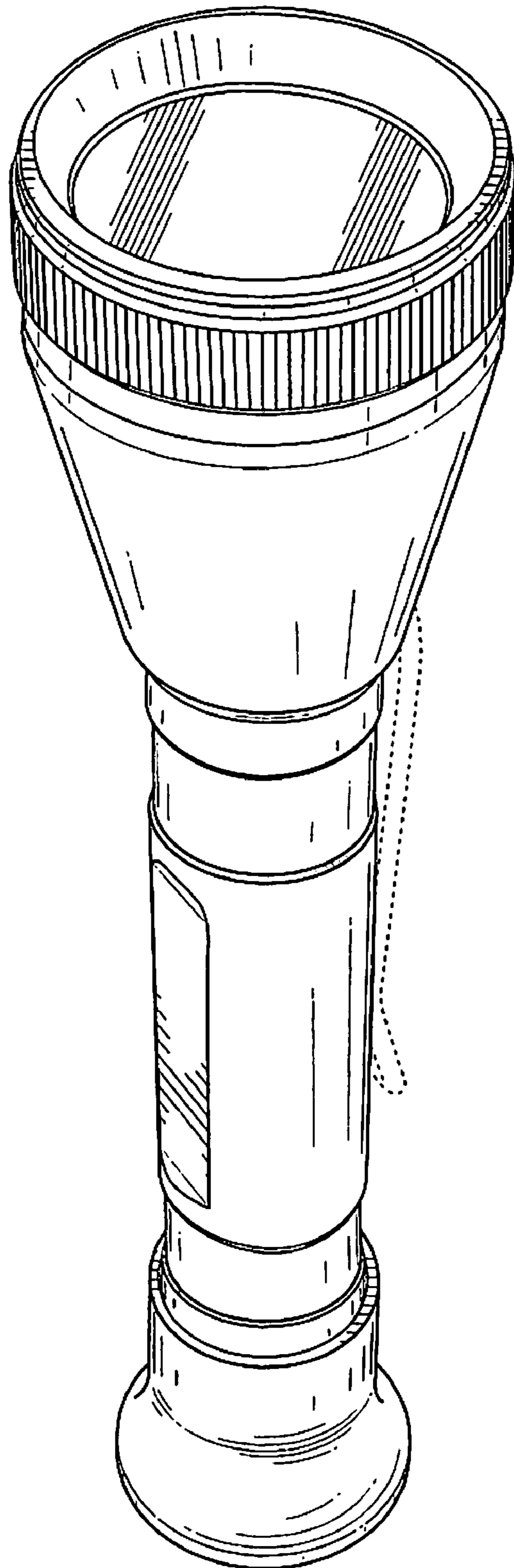


FIG. 1

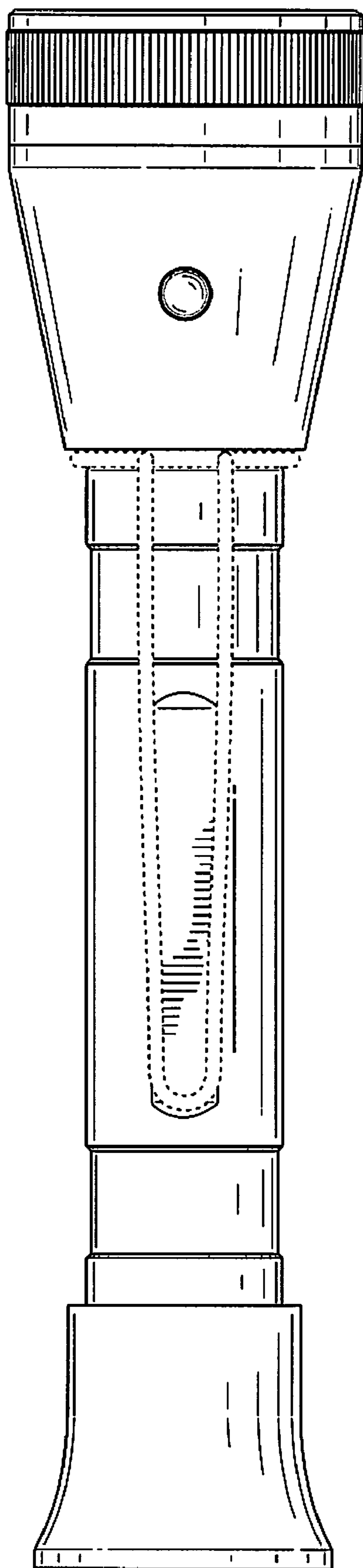


FIG. 2

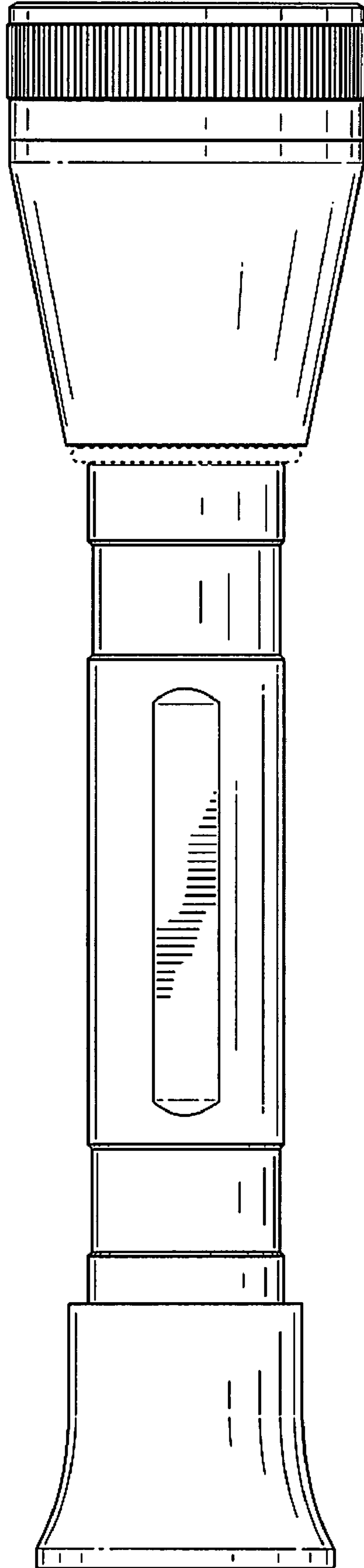


FIG. 3

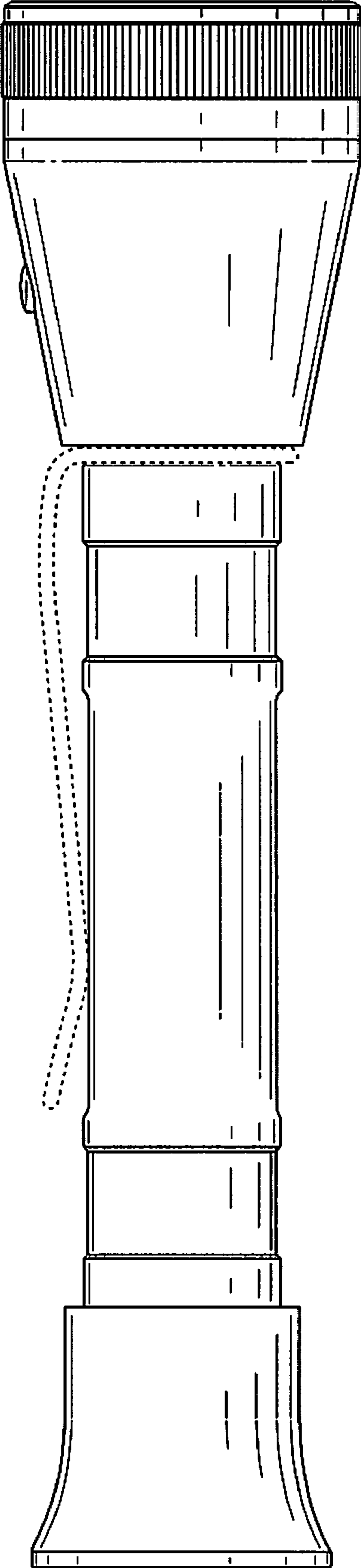


FIG. 4

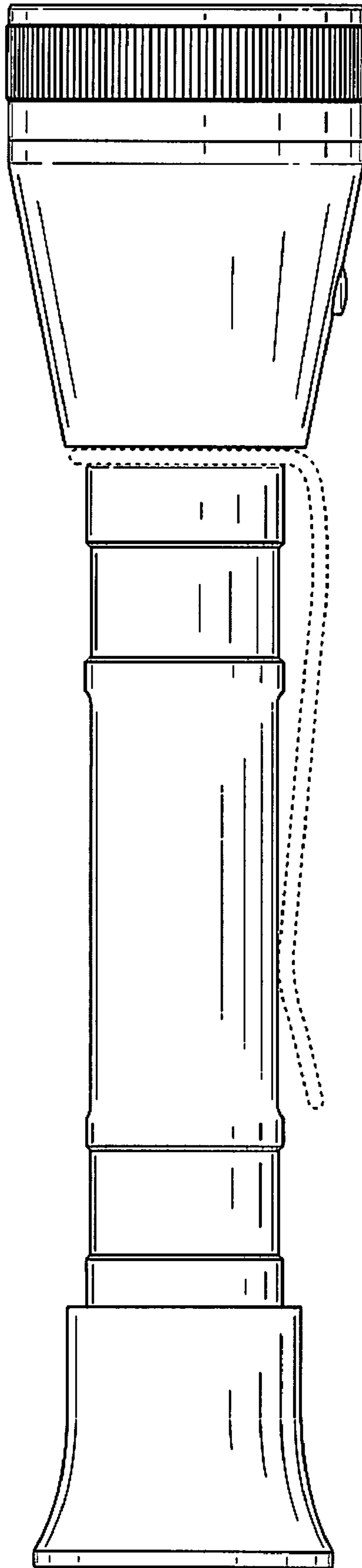


FIG. 5

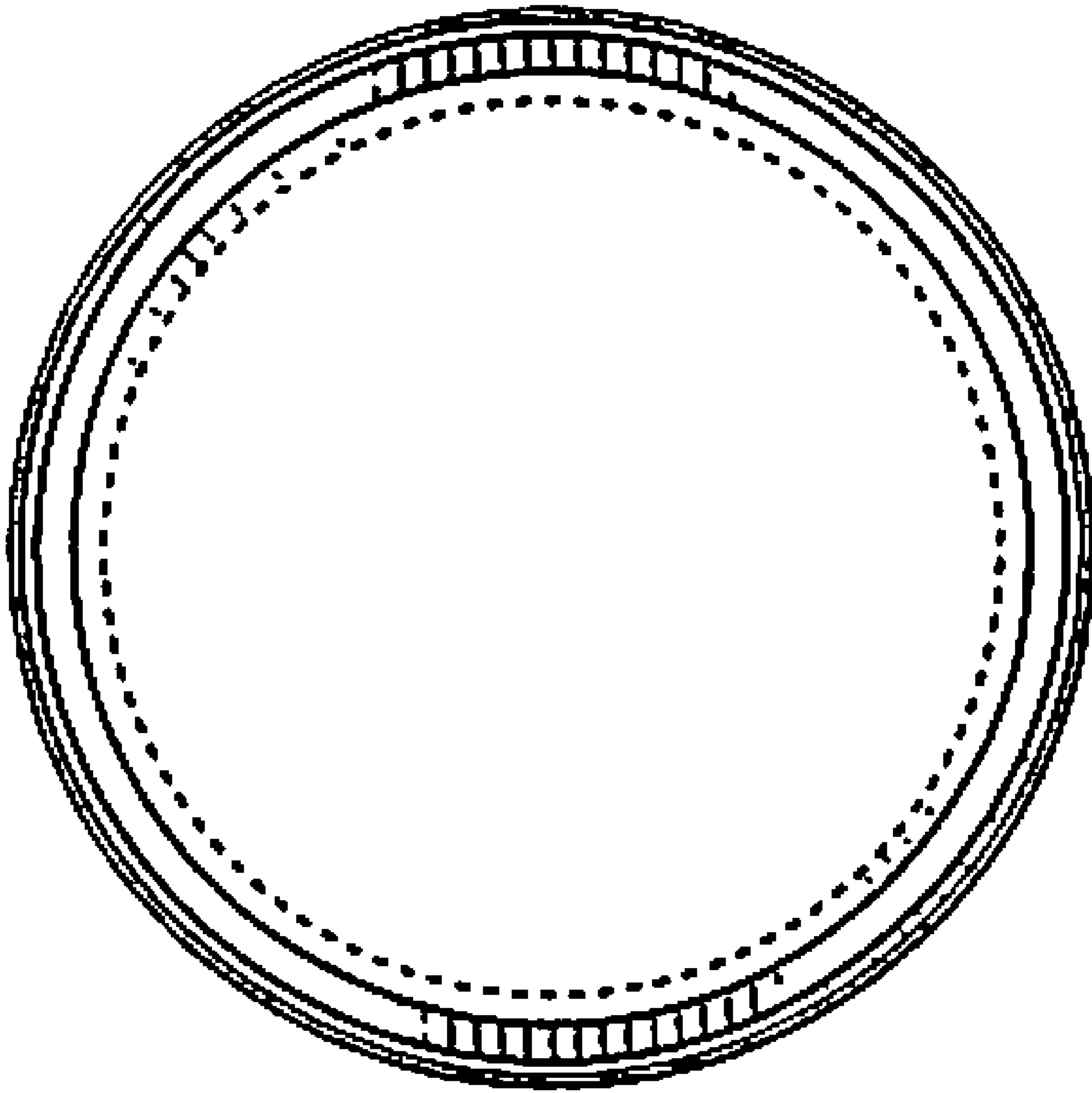


FIG. 6

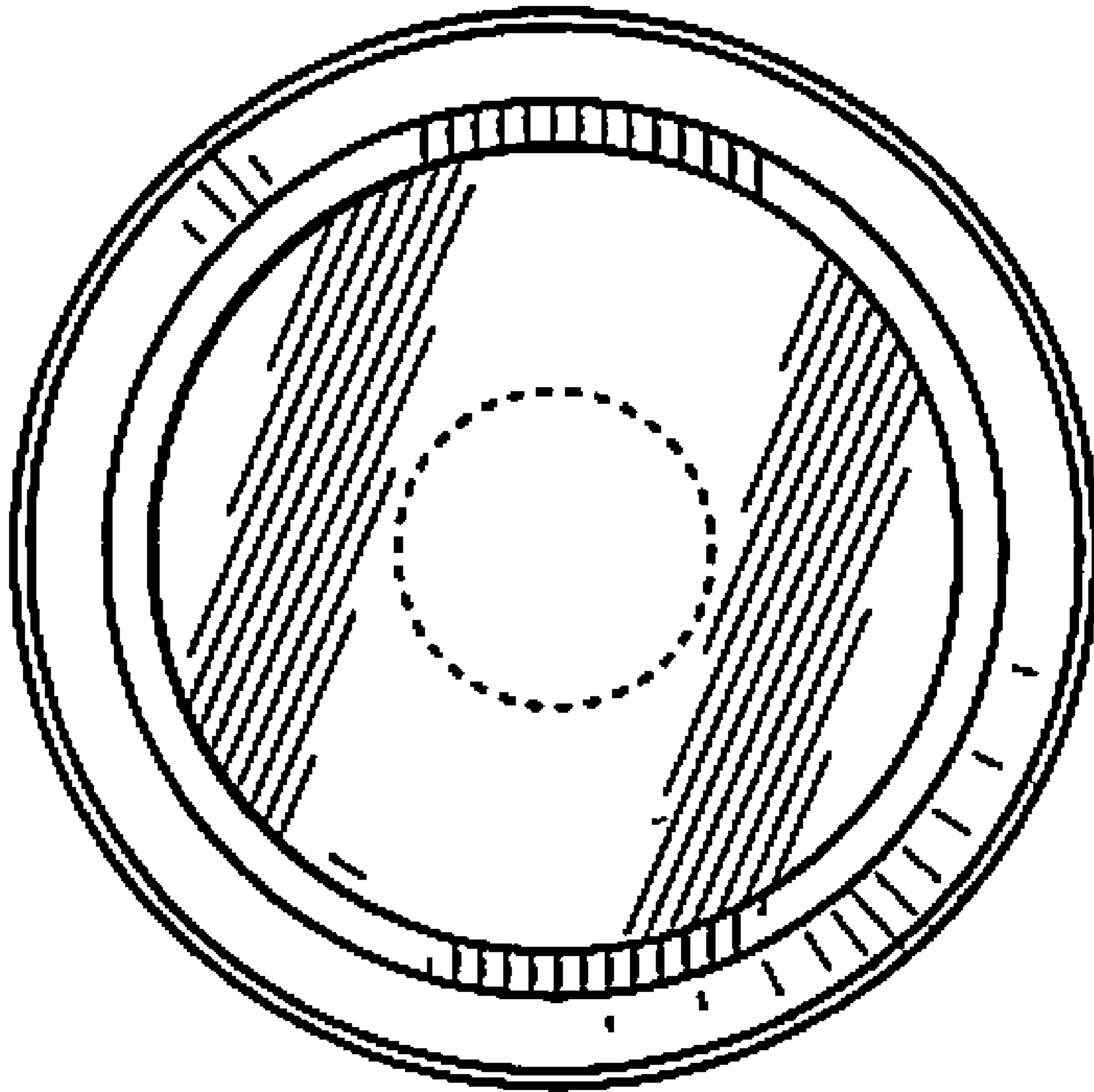


FIG. 7