



US00D613435S

(12) **United States Design Patent**
Schell et al.

(10) **Patent No.:** **US D613,435 S**
(45) **Date of Patent:** **** Apr. 6, 2010**

(54) **VEHICLE TAIL LIGHT**

(75) Inventors: **Damon Arthur Schell**, Redondo Beach, CA (US); **Satoru Kato**, Redondo Beach, CA (US)

(73) Assignee: **Honda Motor Co., Ltd.**, Tokyo (JP)

(**) Term: **14 Years**

(21) Appl. No.: **29/335,035**

(22) Filed: **Apr. 7, 2009**

Related U.S. Application Data

(63) Continuation of application No. 29/333,759, filed on Mar. 13, 2009, and a continuation of application No. 29/333,734, filed on Mar. 13, 2009, now abandoned.

(51) **LOC (9) Cl.** **26-04**

(52) **U.S. Cl.** **D26/28**

(58) **Field of Classification Search** D26/28-36;
362/459-468, 475-478, 485-487
See application file for complete search history.

(56) **References Cited**

U.S. PATENT DOCUMENTS

D549,363 S * 8/2007 Pfeiffer D26/28
D552,769 S * 10/2007 Leclercq D26/28
D553,268 S * 10/2007 Pfeiffer D26/28
D553,269 S * 10/2007 Pfeiffer et al. D26/28

D561,357 S * 2/2008 Leclercq D26/28
D570,015 S * 5/2008 Hsu D26/28
D574,224 S * 8/2008 Zhang D8/372

* cited by examiner

Primary Examiner—Marcus A Jackson

(74) *Attorney, Agent, or Firm*—Plumsea Law Group, LLC; Mark E. Duell

(57) **CLAIM**

The ornamental design for a vehicle tail light, as shown and described.

DESCRIPTION

FIG. 1 is a perspective view of a vehicle tail light showing our new design;

FIG. 2 is a side elevational view thereof;

FIG. 3 is a rear elevational view thereof;

FIG. 4 is a top plan view thereof;

FIG. 5 is a perspective view of another embodiment of a vehicle tail light showing our new design;

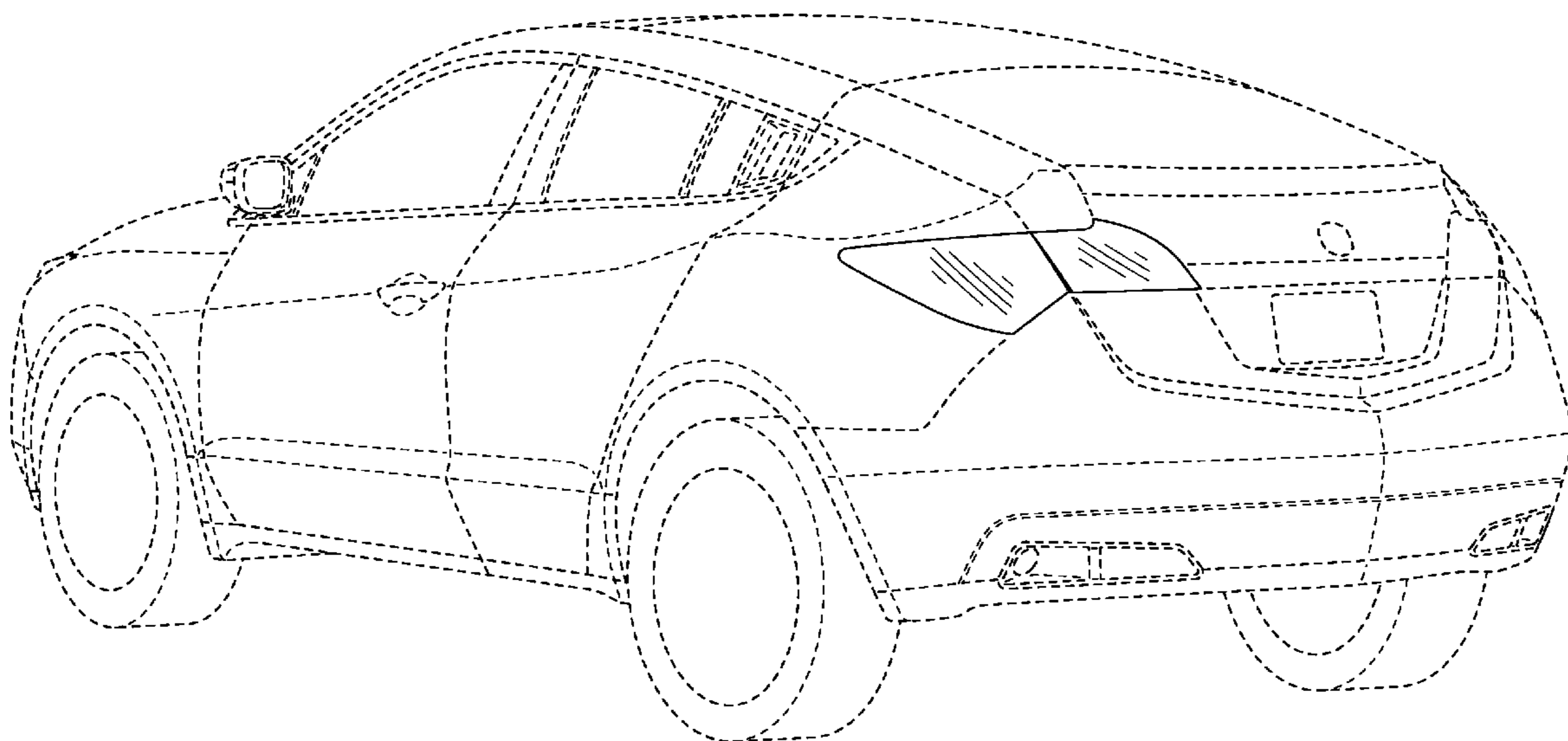
FIG. 6 is a side elevational view of the tail light of FIG. 5;

FIG. 7 is a rear elevational view of the tail light of FIG. 5; and,

FIG. 8 is a top plan view of the tail light of FIG. 5.

The broken line showings of the remainder of the vehicle form no part of the claimed design.

1 Claim, 8 Drawing Sheets



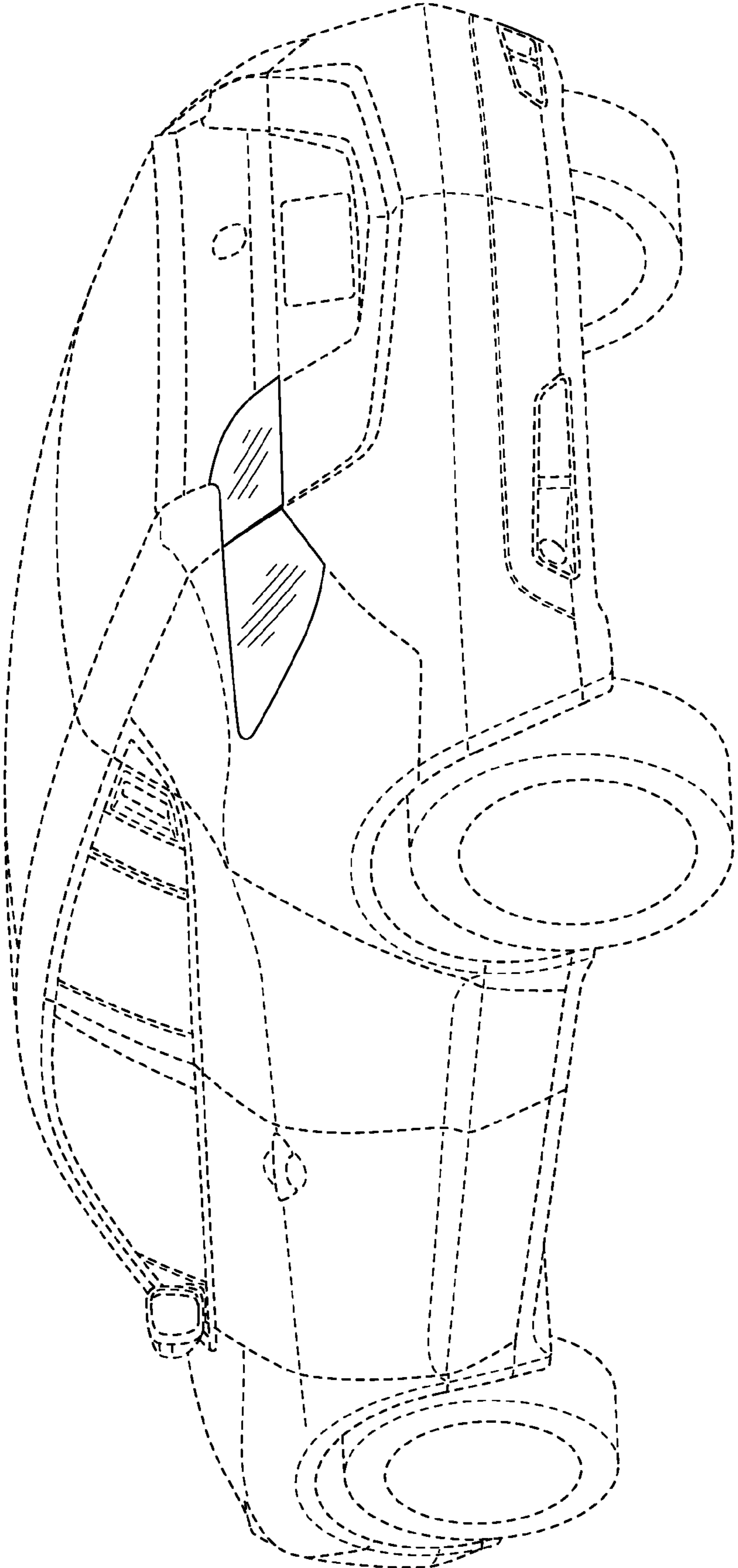


FIG. 1

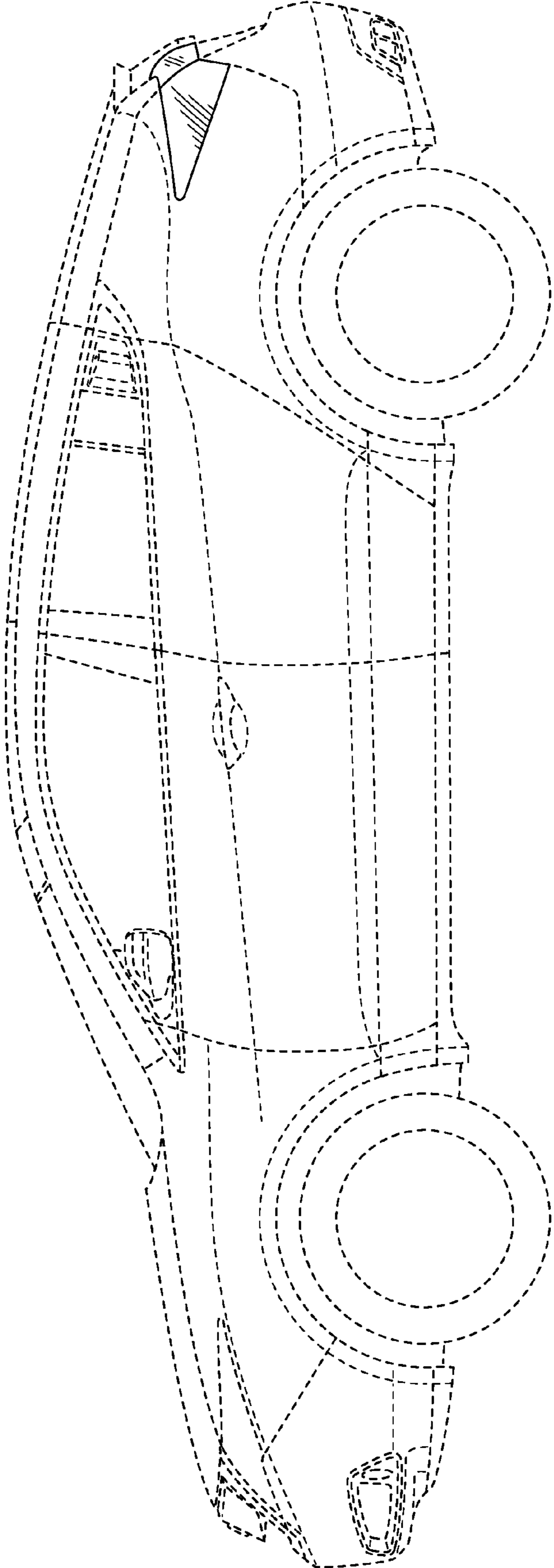


FIG. 2

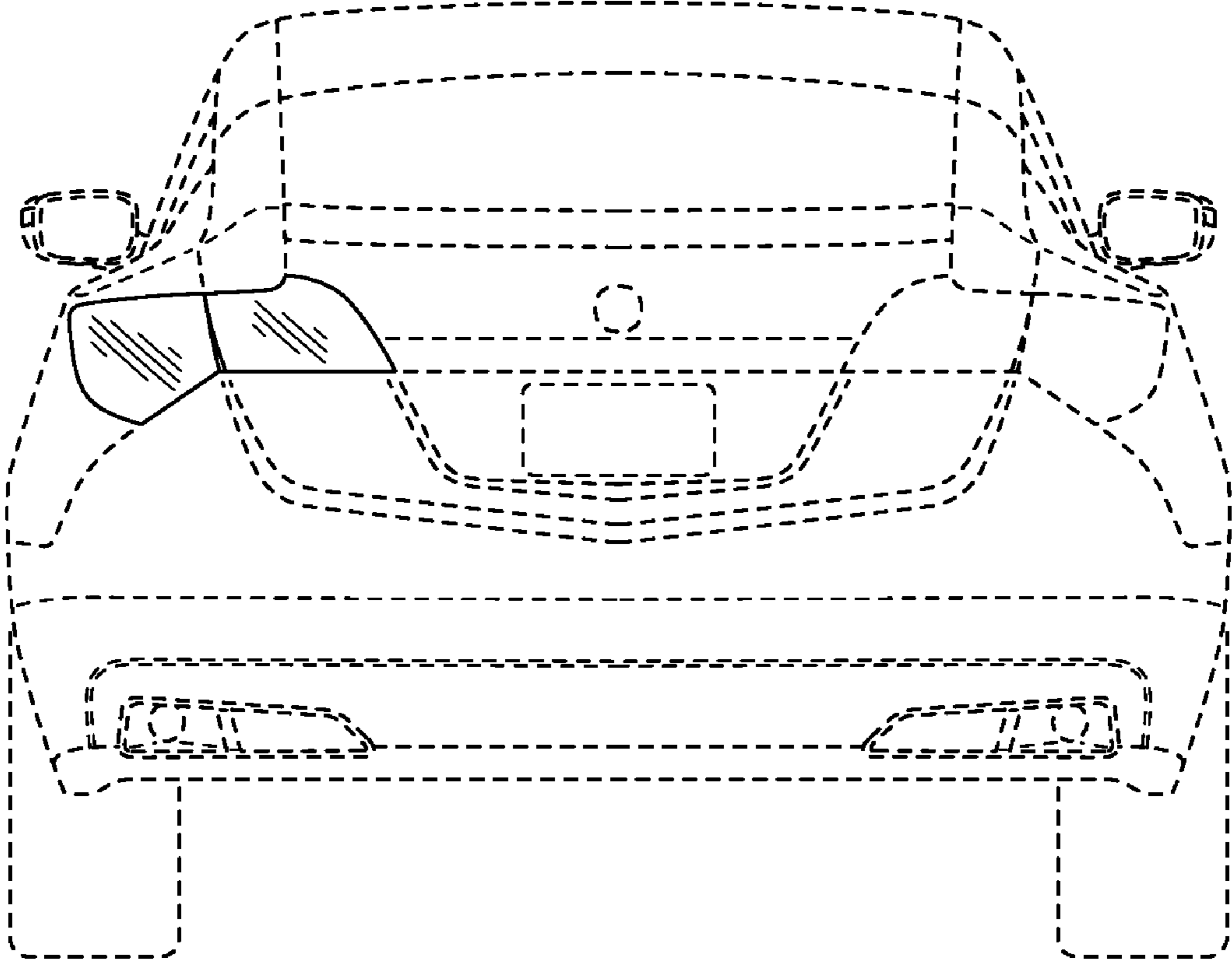


FIG. 3

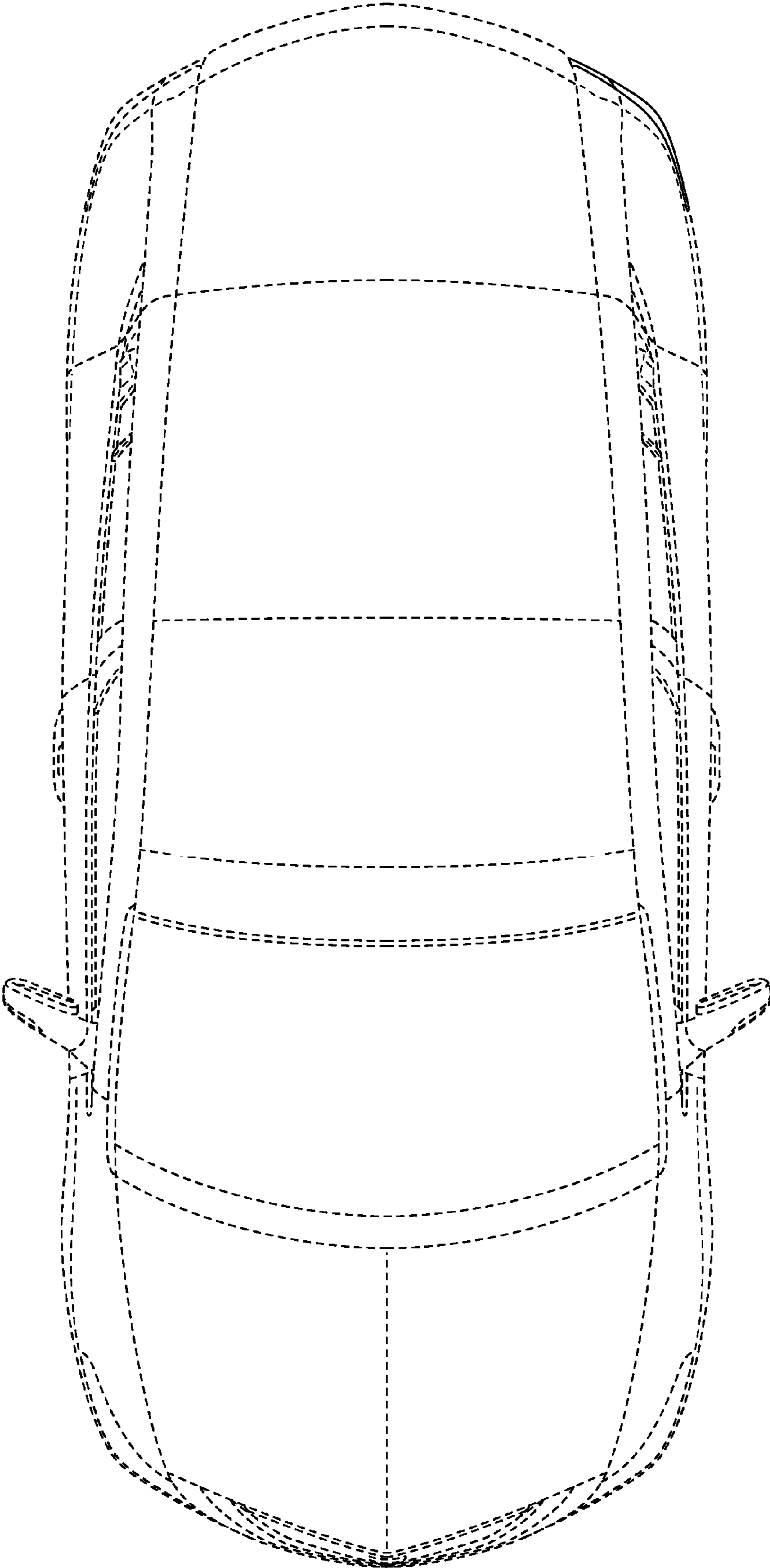


FIG. 4

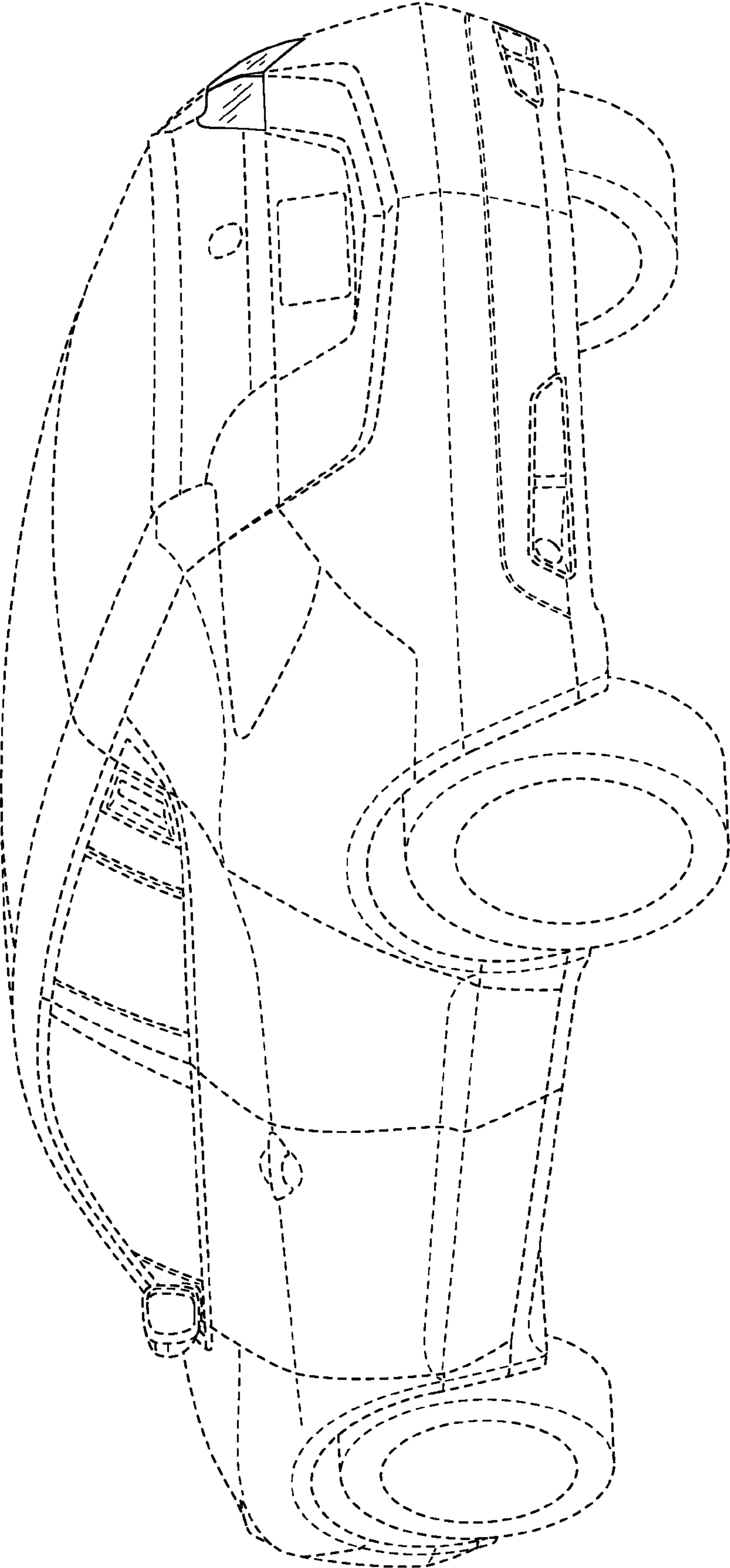


FIG. 5

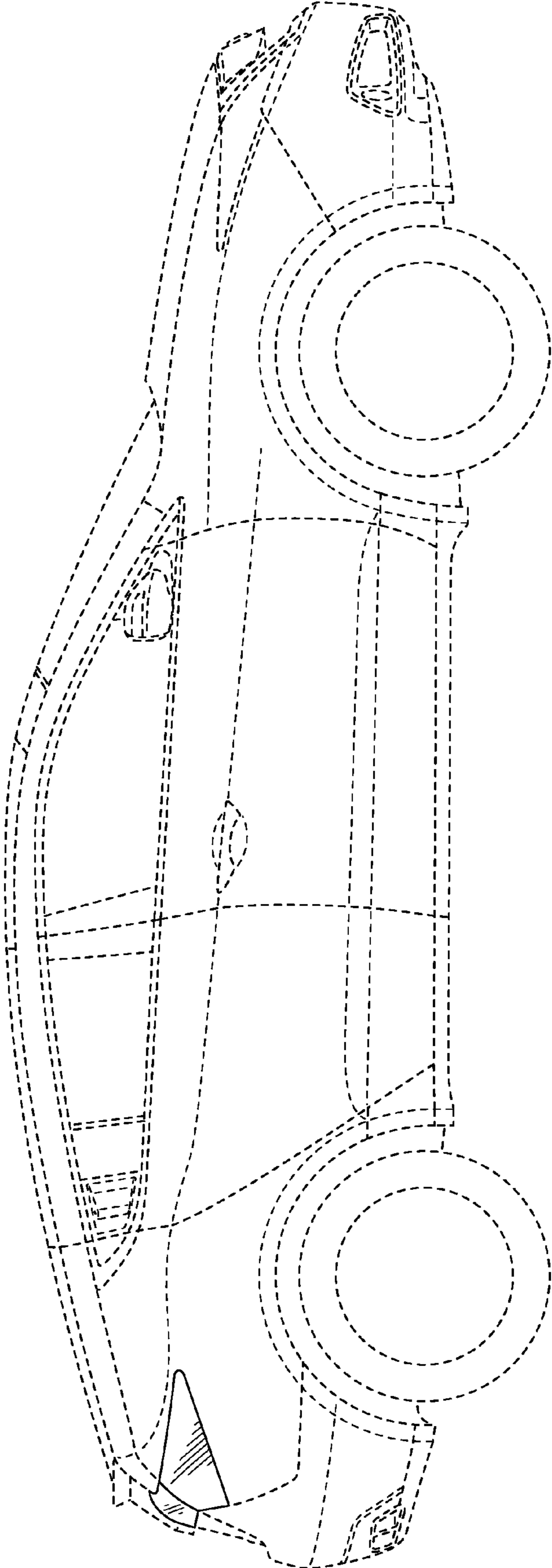


FIG. 6

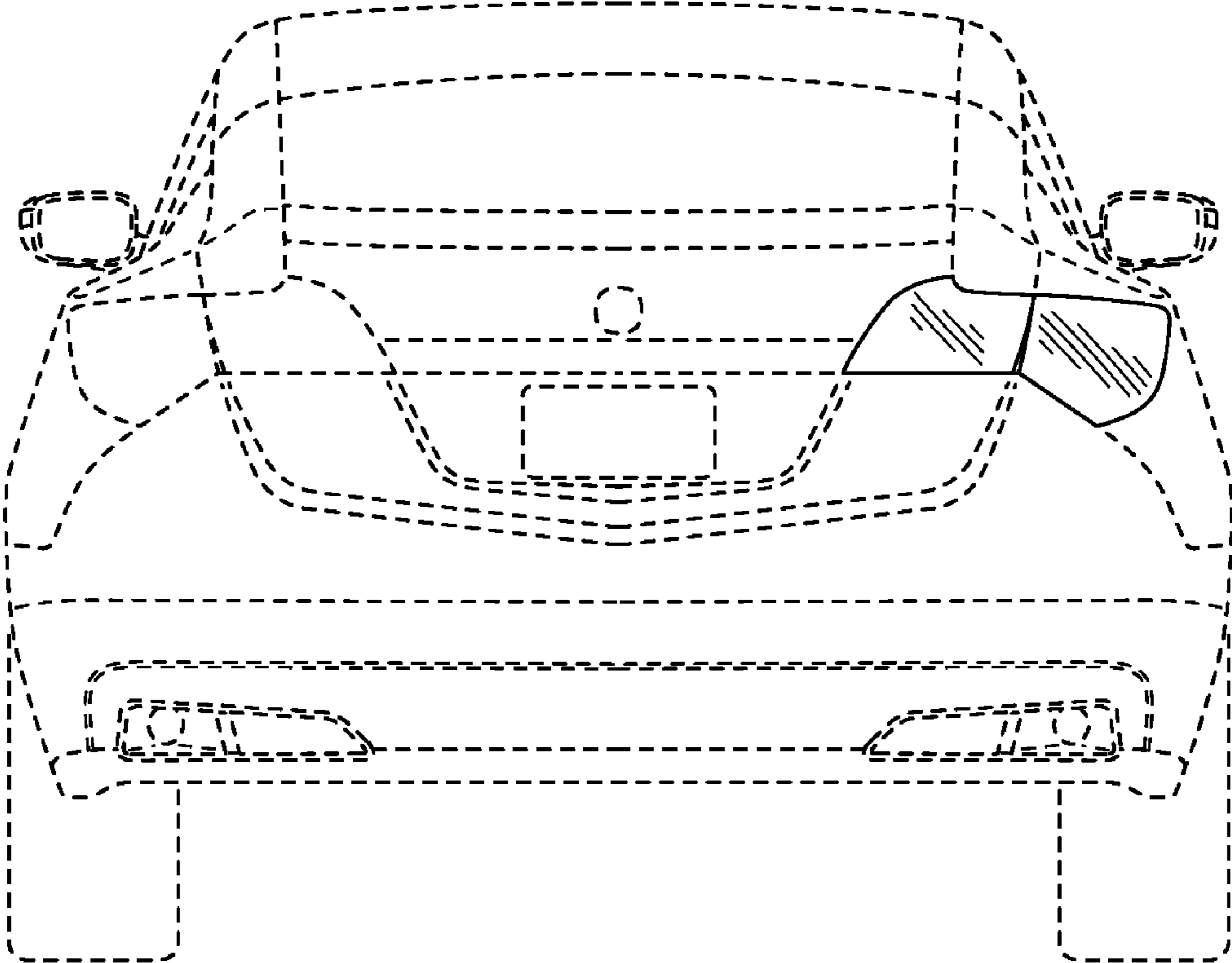


FIG. 7

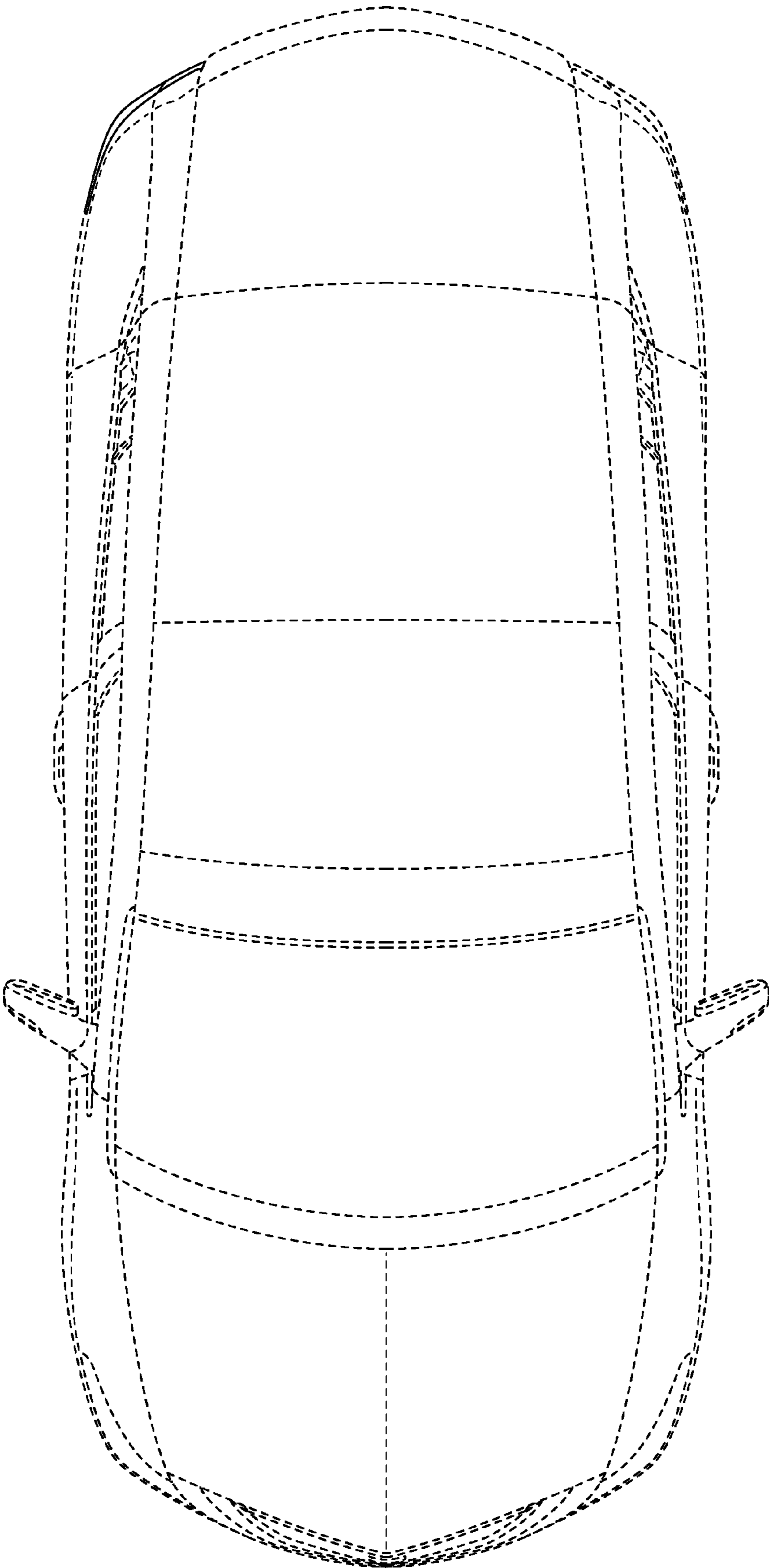


FIG. 8