



US00D613434S

(12) **United States Design Patent**  
**Weiss**

(10) **Patent No.:** **US D613,434 S**  
(45) **Date of Patent:** **\*\* Apr. 6, 2010**

(54) **REPLACEABLE LIGHTING UNIT**

**DESCRIPTION**

(75) Inventor: **William J. Weiss**, Boca Raton, FL (US)

(73) Assignee: **MSI, LLC**, Deerfield Beach, FL (US)

(\*\*) Term: **14 Years**

(21) Appl. No.: **29/346,612**

(22) Filed: **Nov. 3, 2009**

(51) **LOC (9) Cl.** ..... **26-04**

(52) **U.S. Cl.** ..... **D26/2**

(58) **Field of Classification Search** ..... D26/1-4;  
313/313, 315, 316, 317, 318, 493; 315/52,  
315/53, 56, 57, 58

See application file for complete search history.

(56) **References Cited**

**U.S. PATENT DOCUMENTS**

D435,577 S	*	12/2000	McBride	.....	D16/203
D532,532 S	*	11/2006	Maxik	.....	D26/2
D544,110 S	*	6/2007	Hooker et al.	.....	D26/2
D561,917 S	*	2/2008	Tsao	.....	D26/2
D581,555 S	*	11/2008	To et al.	.....	D26/2

\* cited by examiner

*Primary Examiner*—Marcus A Jackson

(74) *Attorney, Agent, or Firm*—Daniel C. Crilly;  
GrayRobinson, P.A.

(57) **CLAIM**

The ornamental design for a replaceable lighting unit, as shown and described.

FIG. 1 is a front perspective view of a first embodiment of my ornamental design for a replaceable lighting unit.

FIG. 2 is a rear perspective view thereof.

FIG. 3 is a front elevational view thereof.

FIG. 4 is a rear elevational view thereof.

FIG. 5 is a top plan view thereof.

FIG. 6 is a bottom plan view thereof.

FIG. 7 is a left side elevational view thereof.

FIG. 8 is a right side elevational view thereof.

FIG. 9 is a front perspective view of an alternative embodiment of my ornamental design for a replaceable lighting unit.

FIG. 10 is a rear perspective view of the embodiment of FIG. 9.

FIG. 11 is a front elevational view of the embodiment of FIG. 9.

FIG. 12 is a rear elevational view of the embodiment of FIG. 9.

FIG. 13 is a top plan view of the embodiment of FIG. 9.

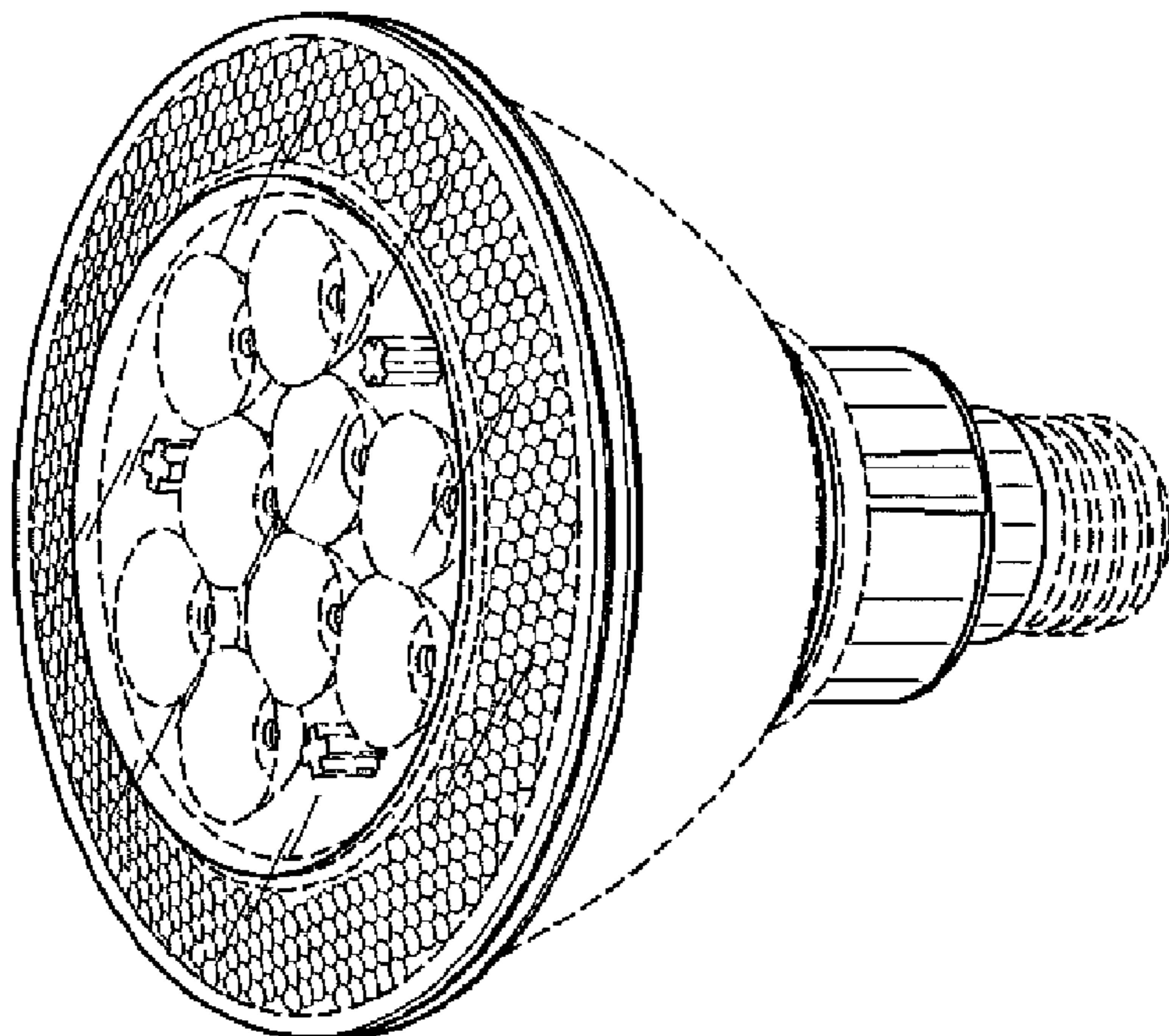
FIG. 14 is a bottom plan view of the embodiment of FIG. 9.

FIG. 15 is a left side elevational view of the embodiment of FIG. 9; and,

FIG. 16 is a right side elevational view of the embodiment of FIG. 9.

The structures shown in broken lines in FIGS. 1-16 form no part of the claimed design and are included only to illustrate an environment.

**1 Claim, 8 Drawing Sheets**



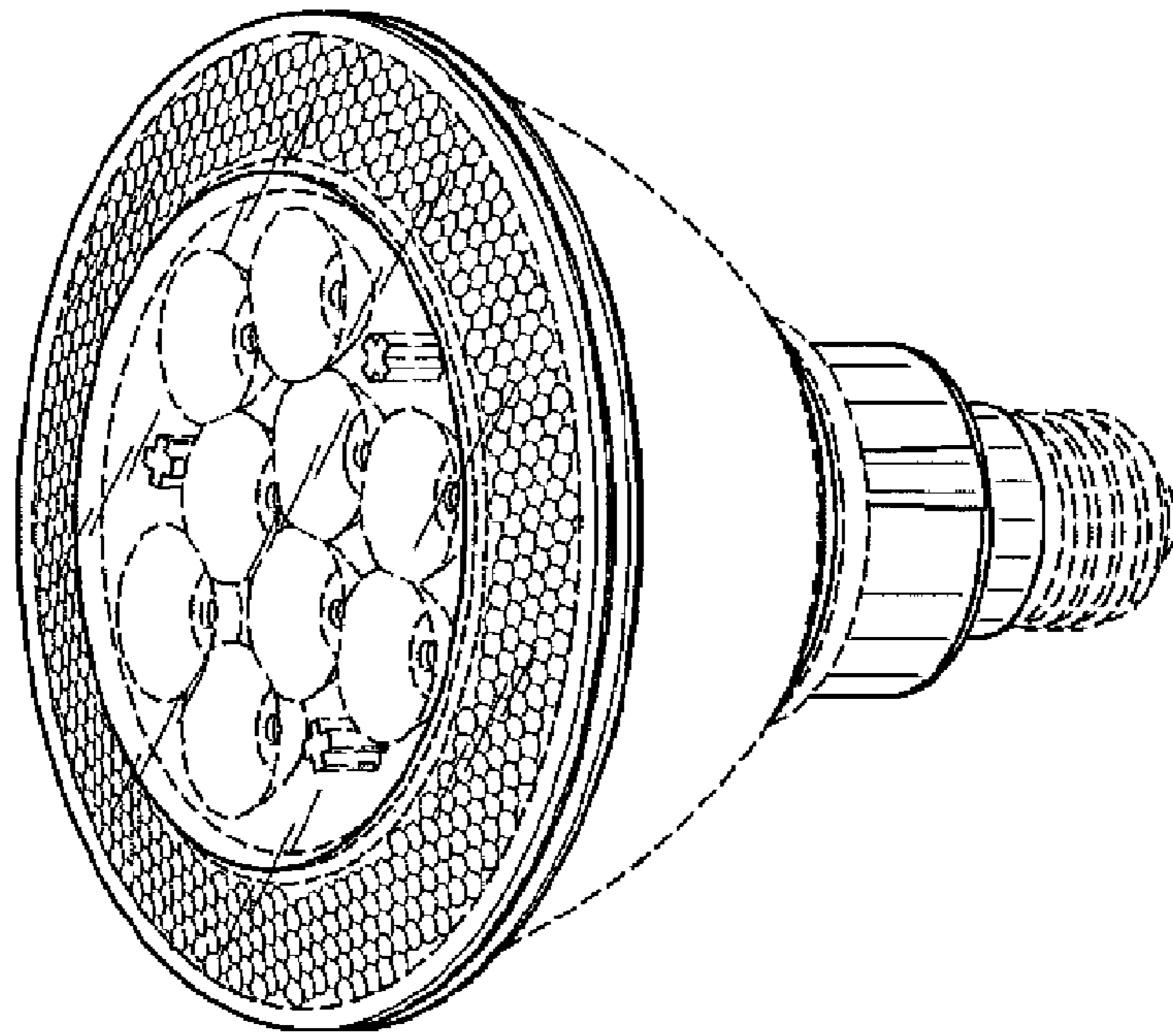


FIG. 1

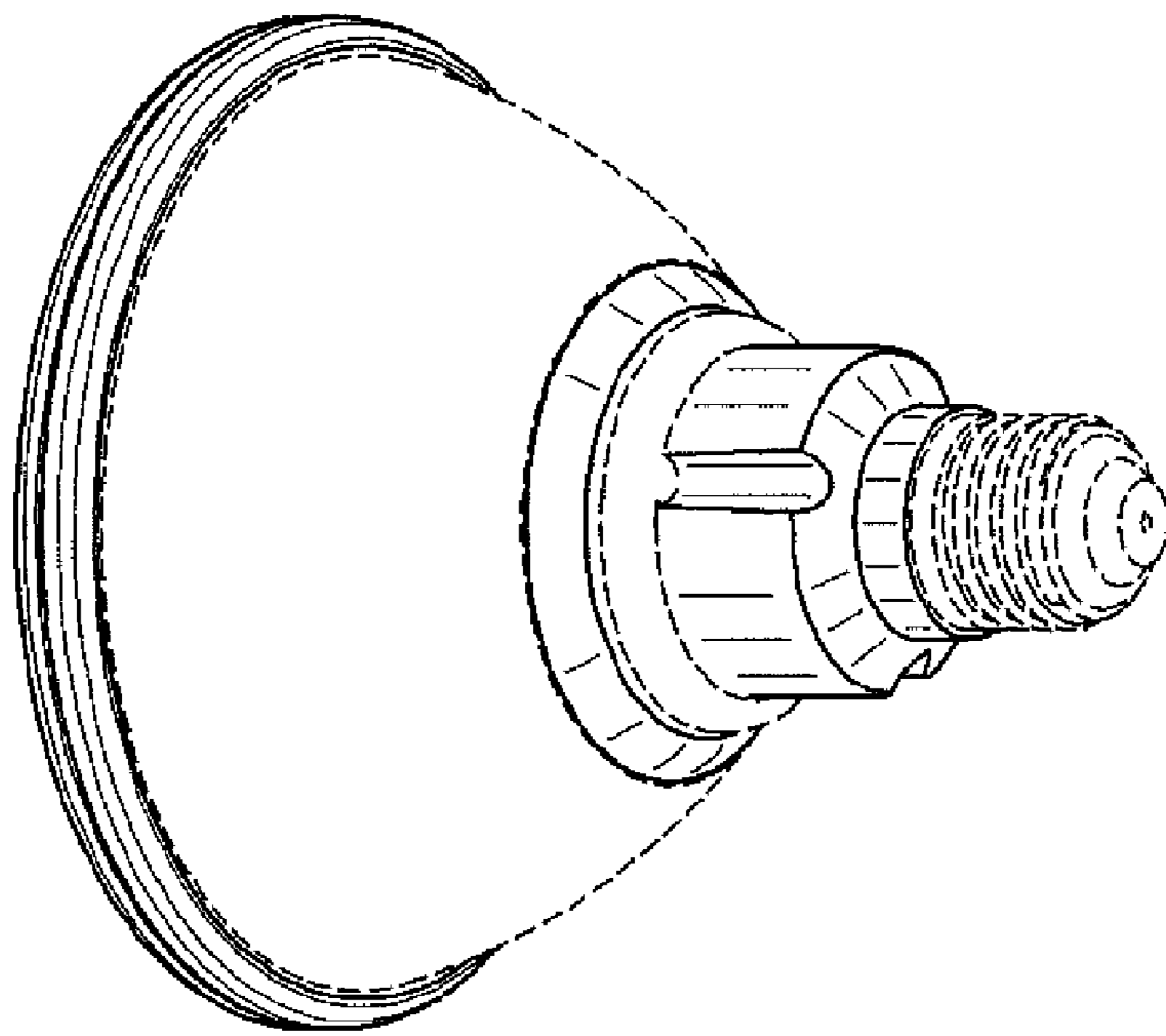


FIG. 2

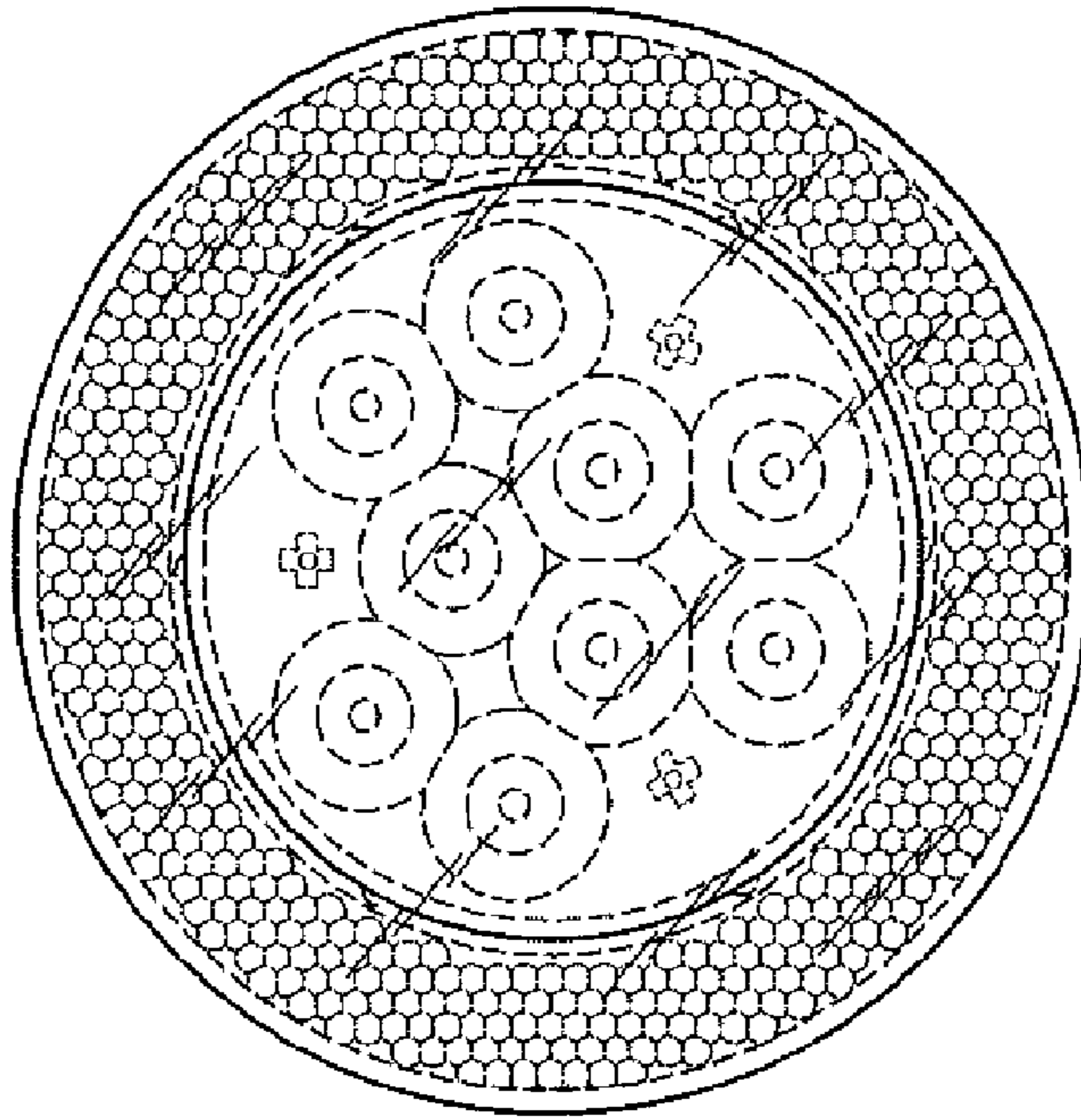


FIG. 3

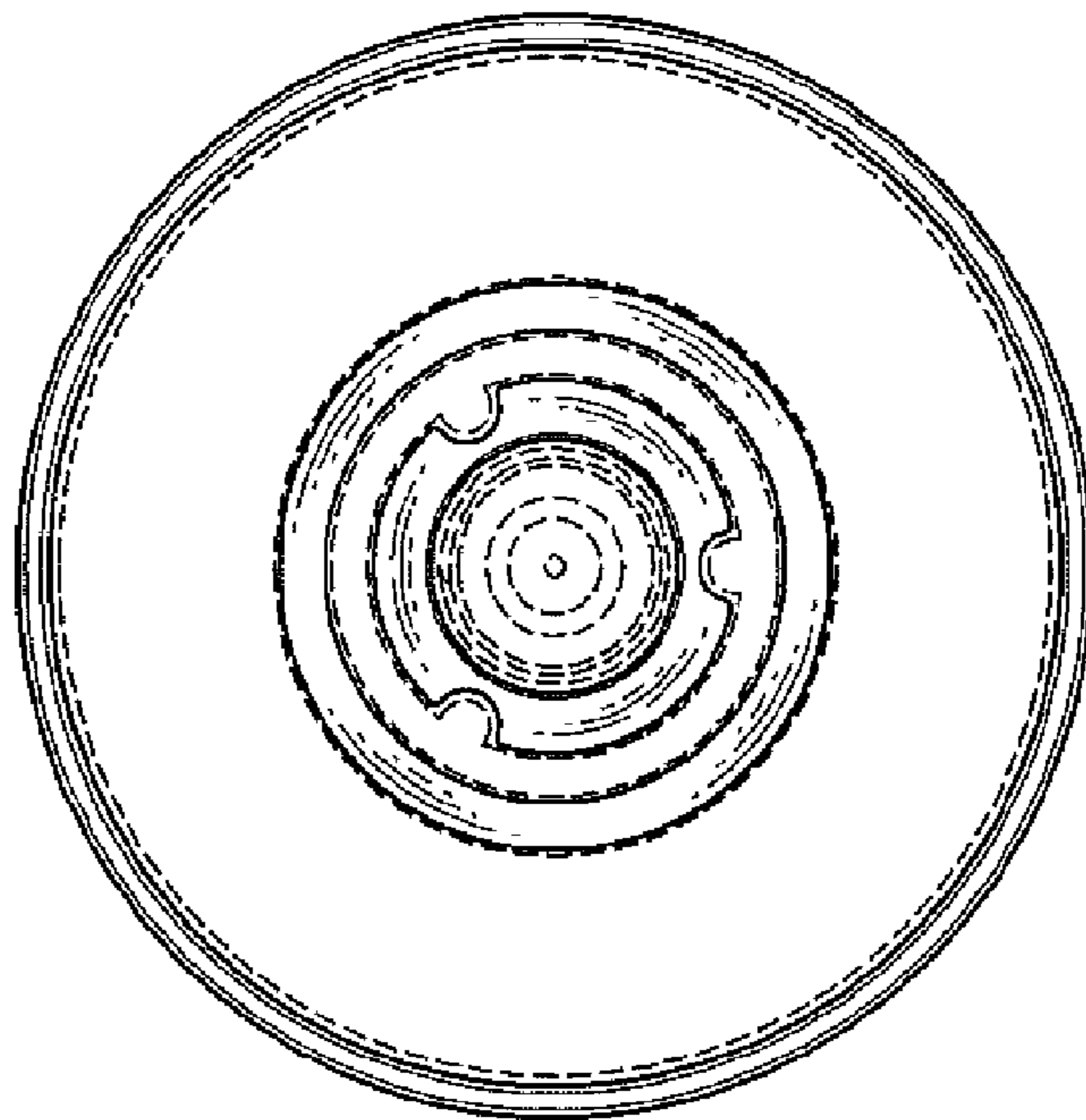


FIG. 4

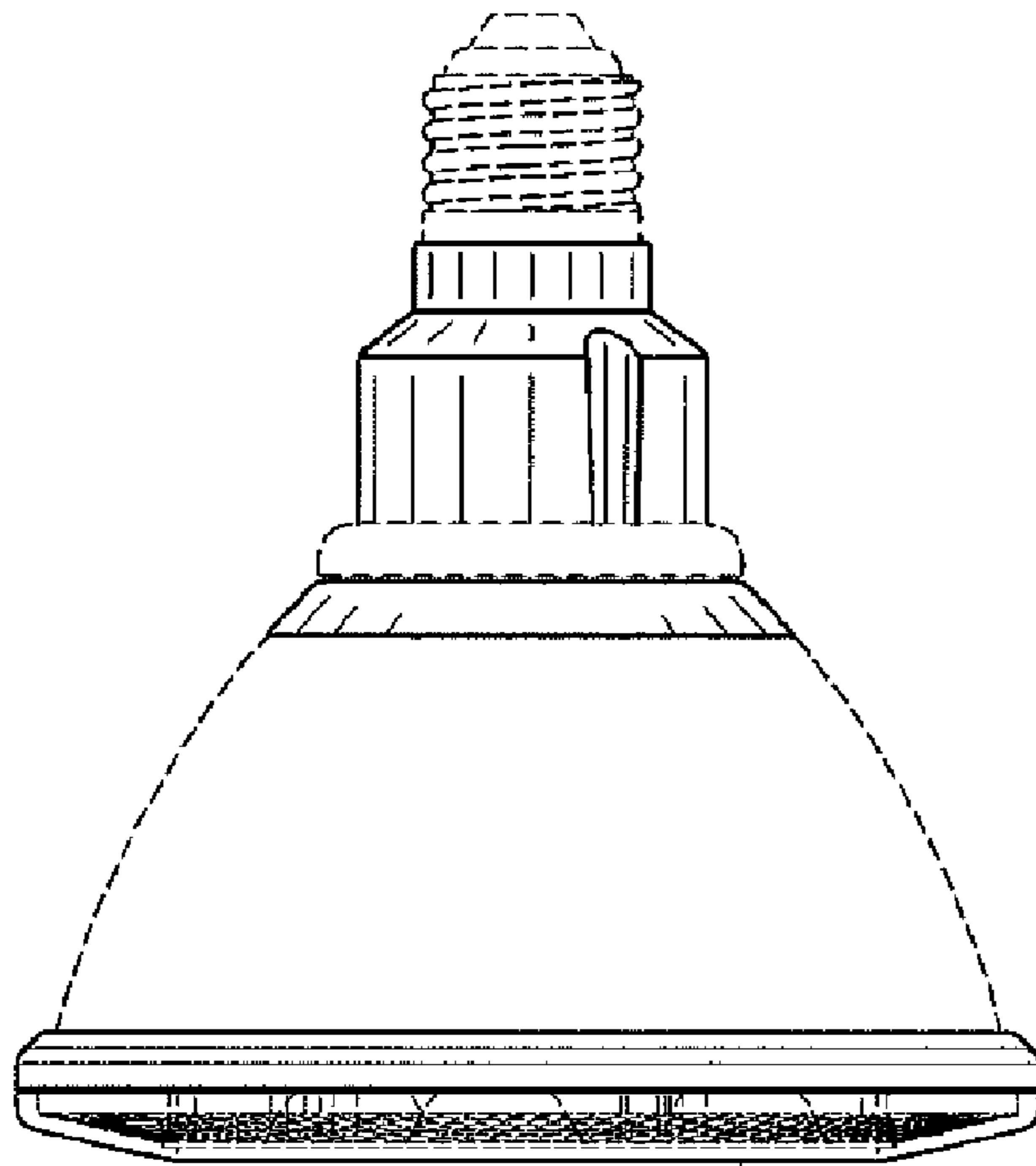


FIG. 5

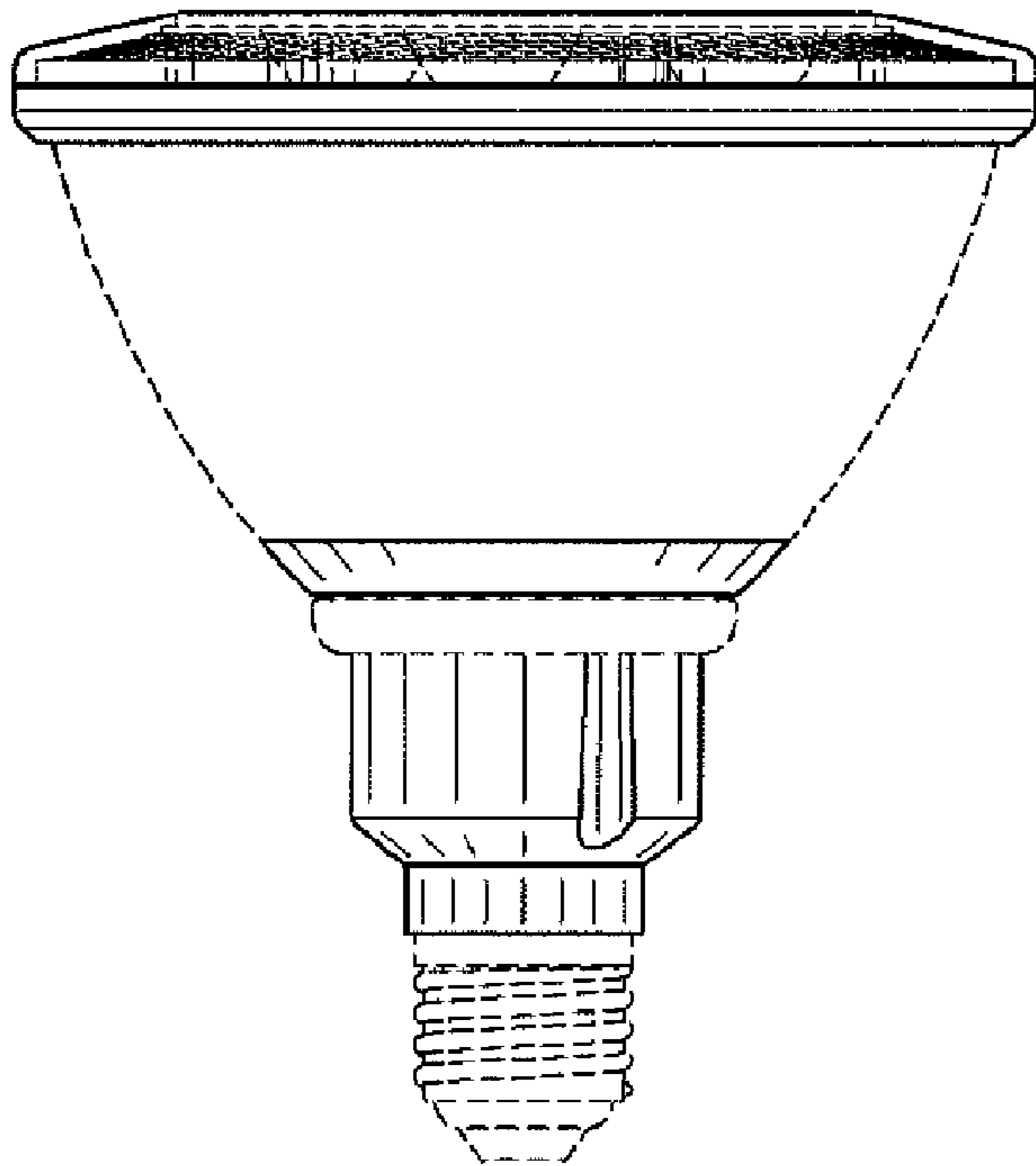


FIG. 6

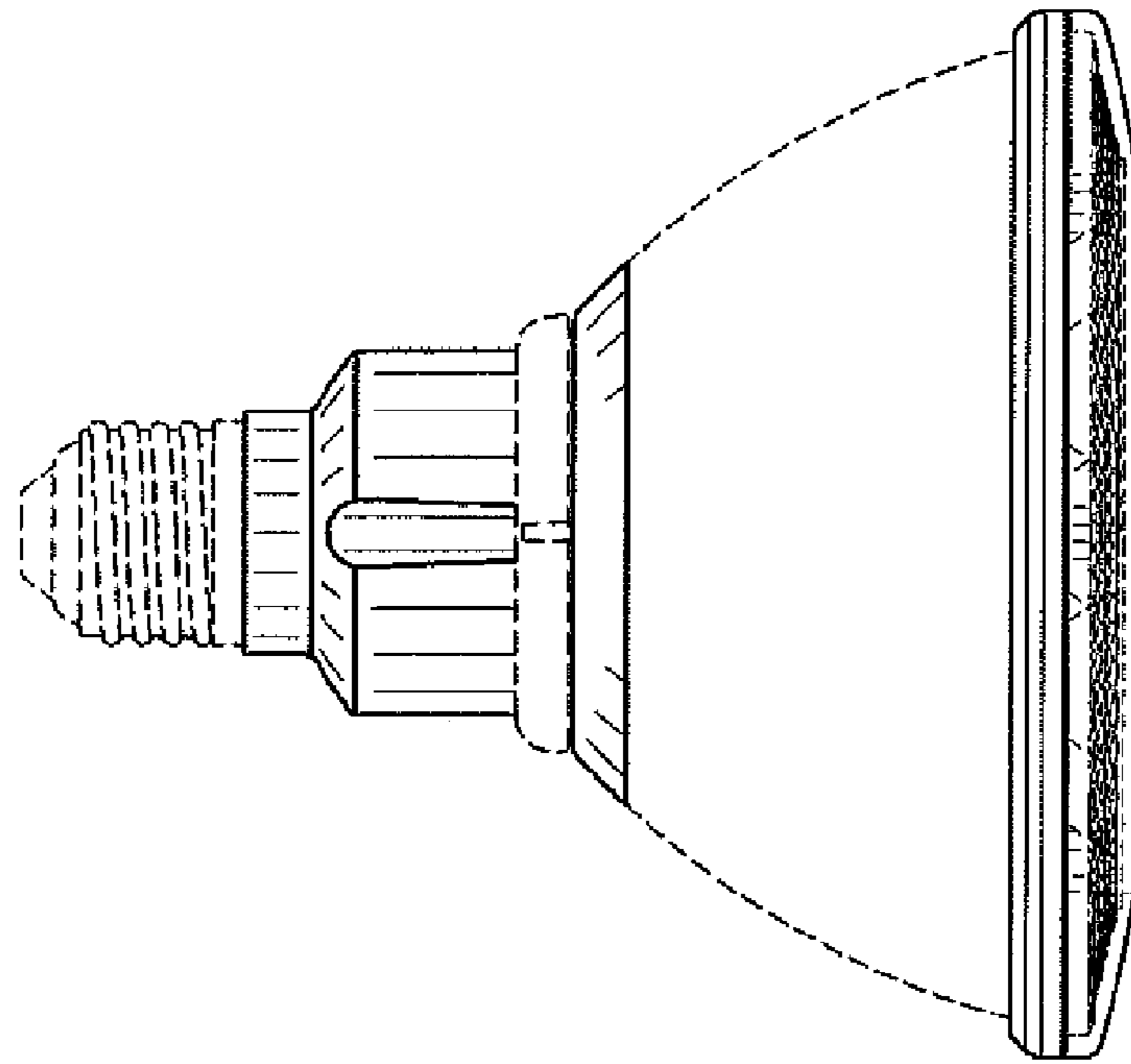


FIG. 7

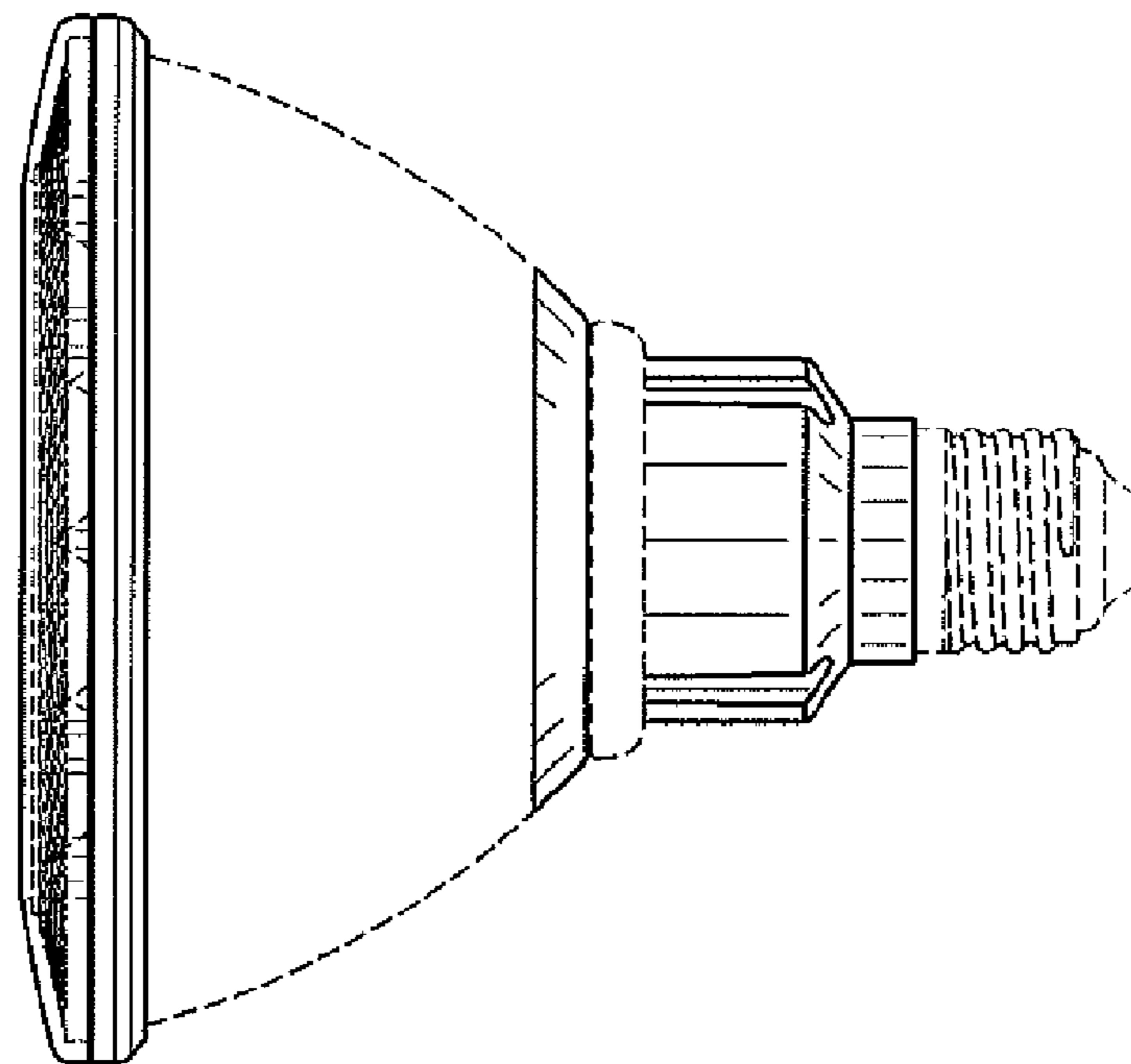


FIG. 8



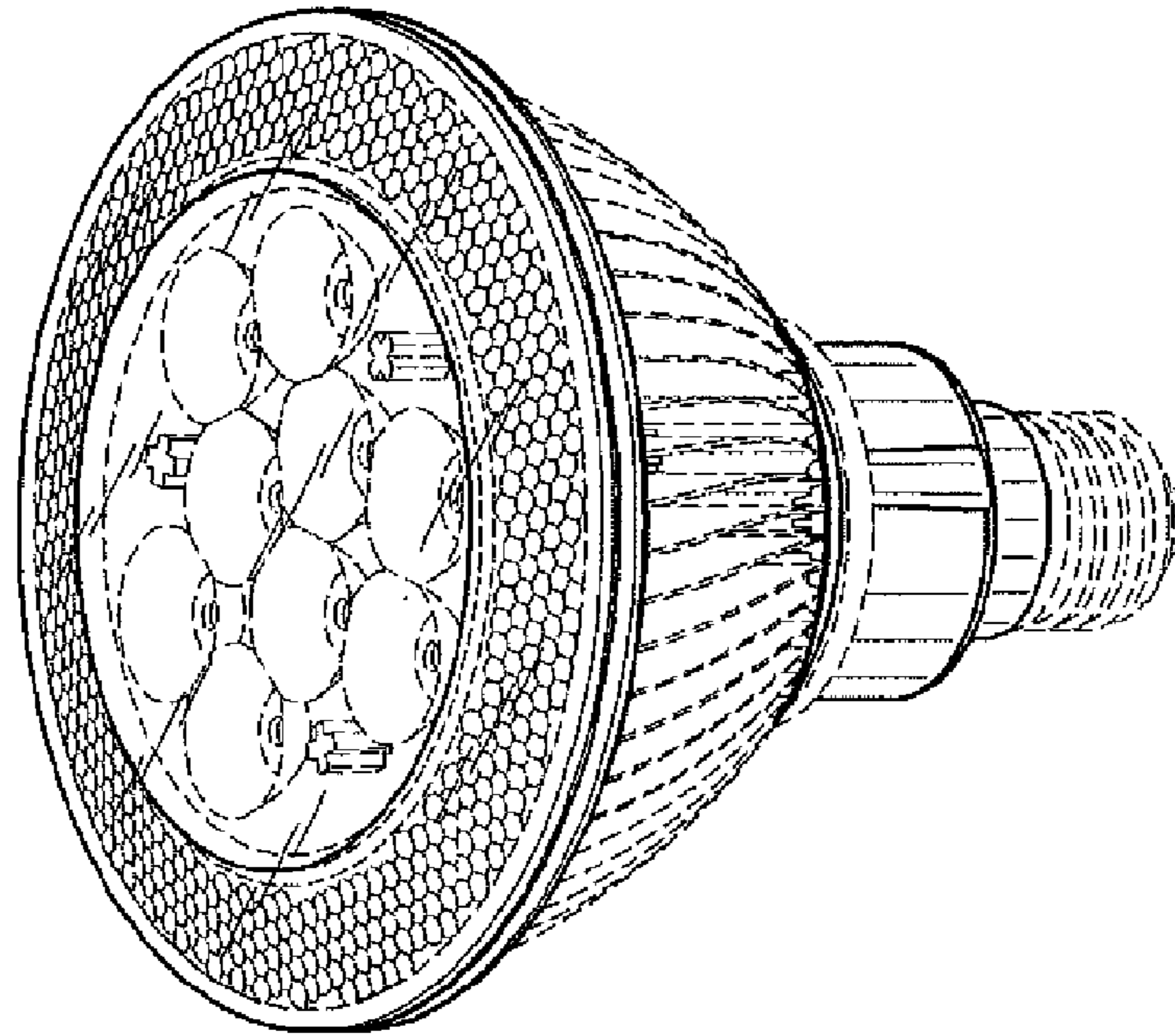


FIG. 9

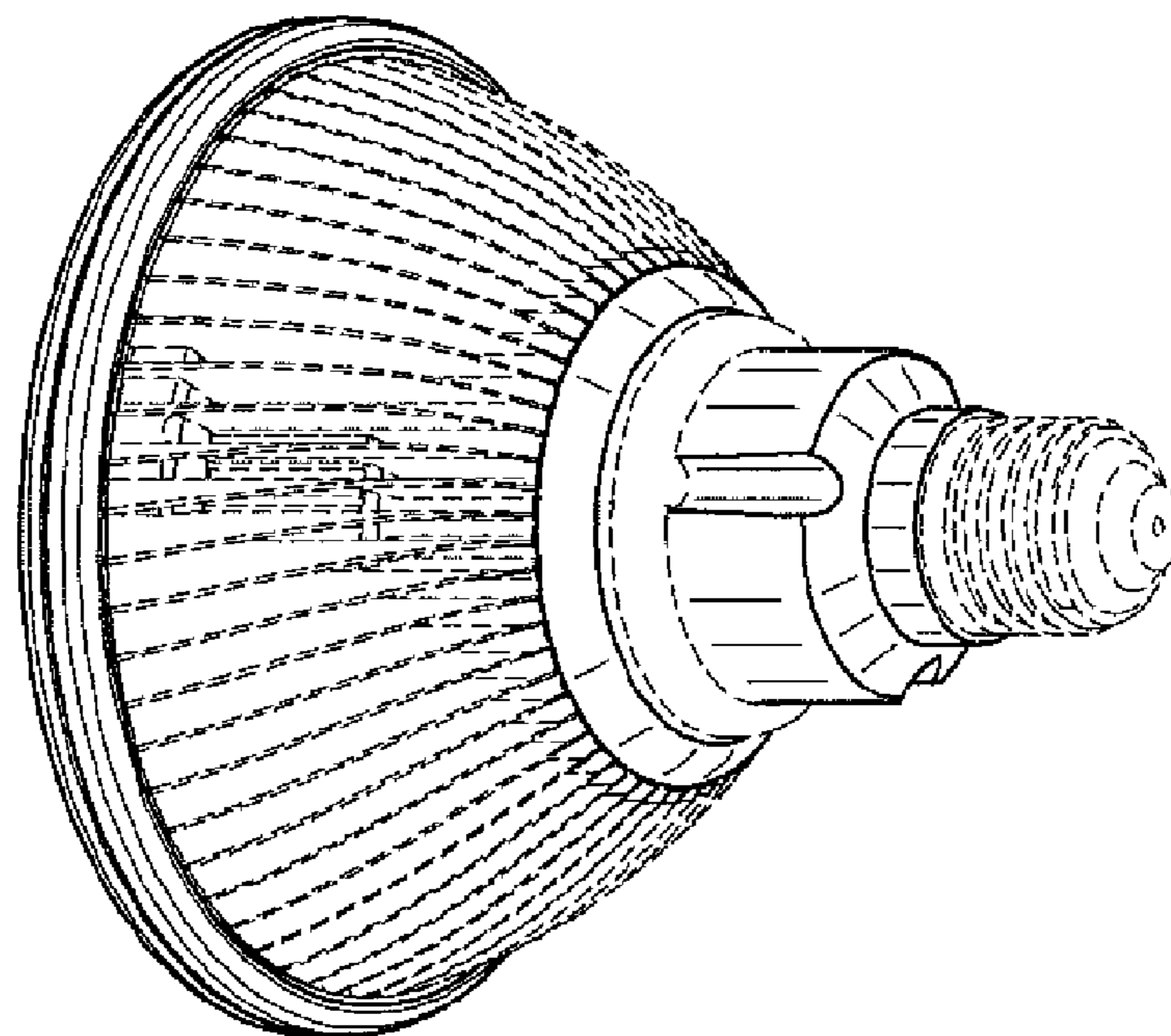


FIG. 10

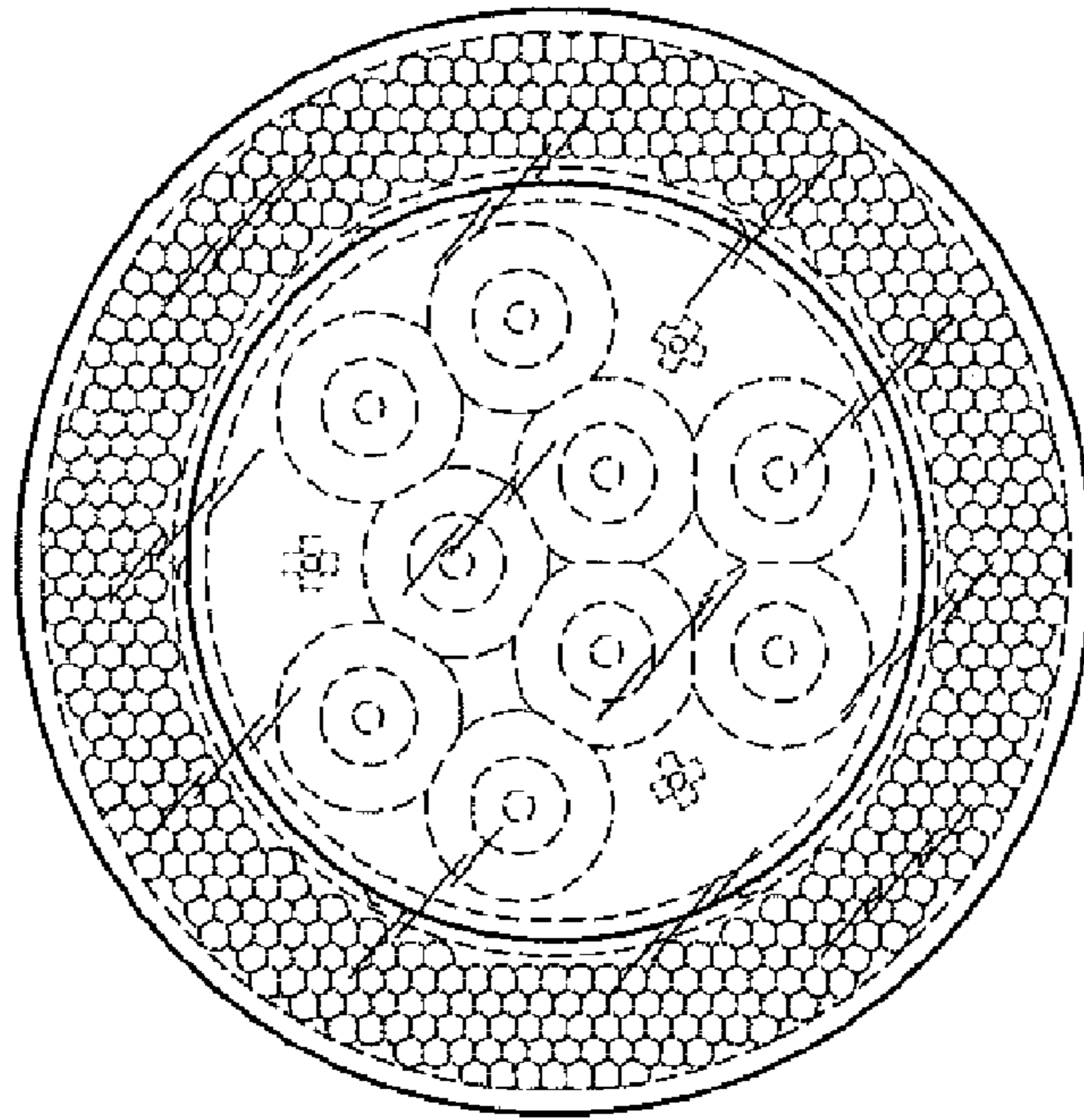


FIG. 11

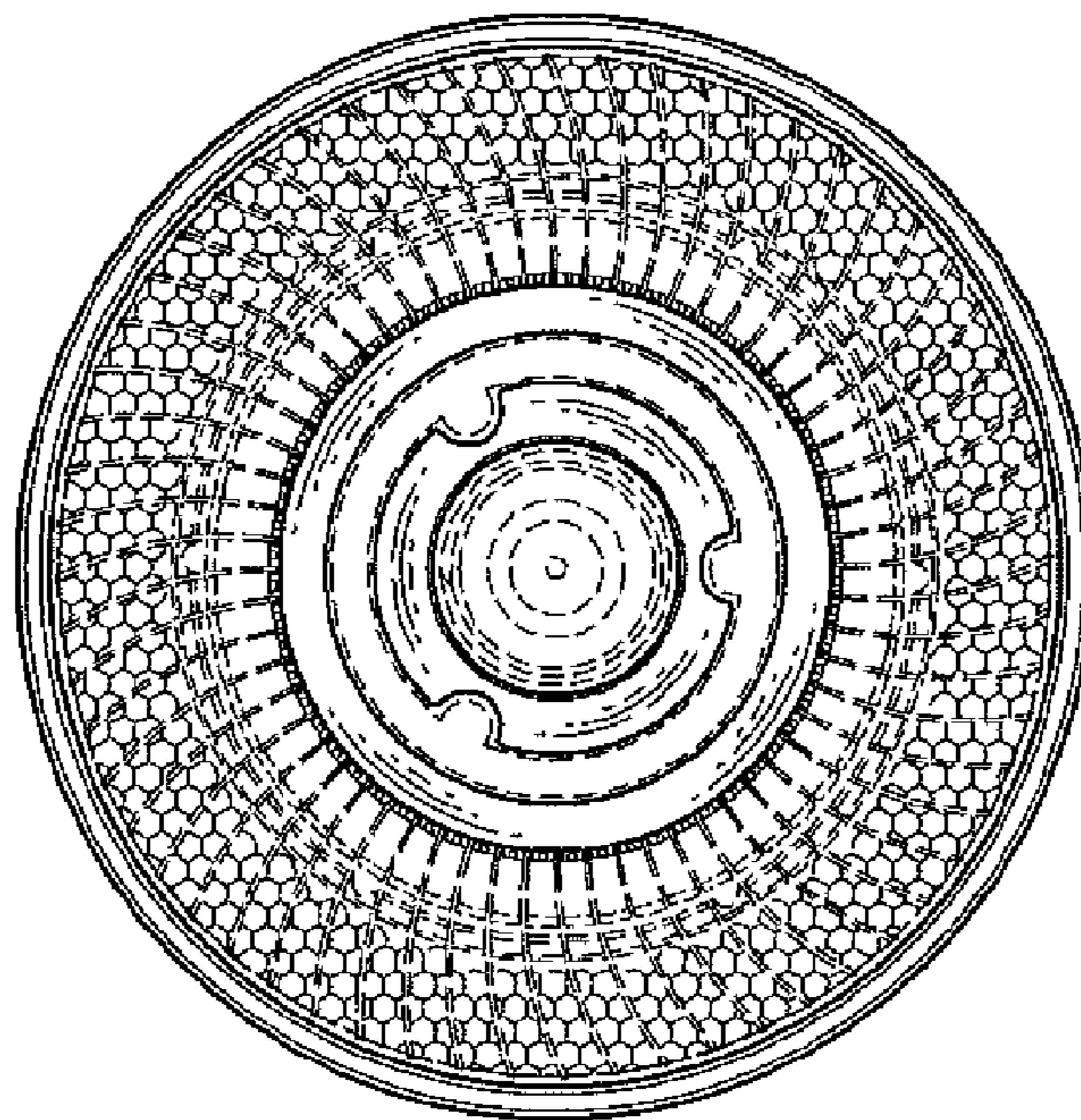


FIG. 12

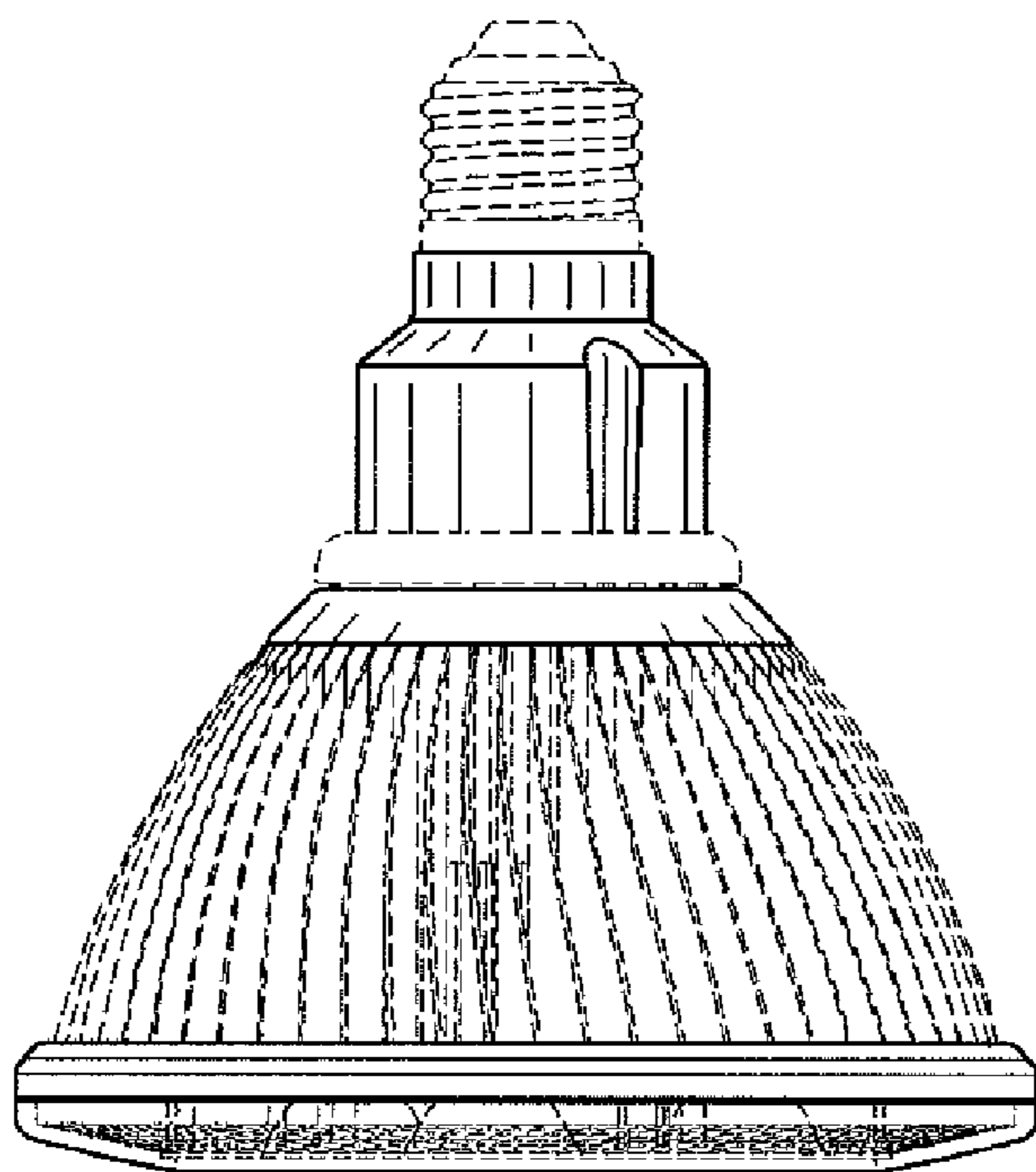


FIG. 13

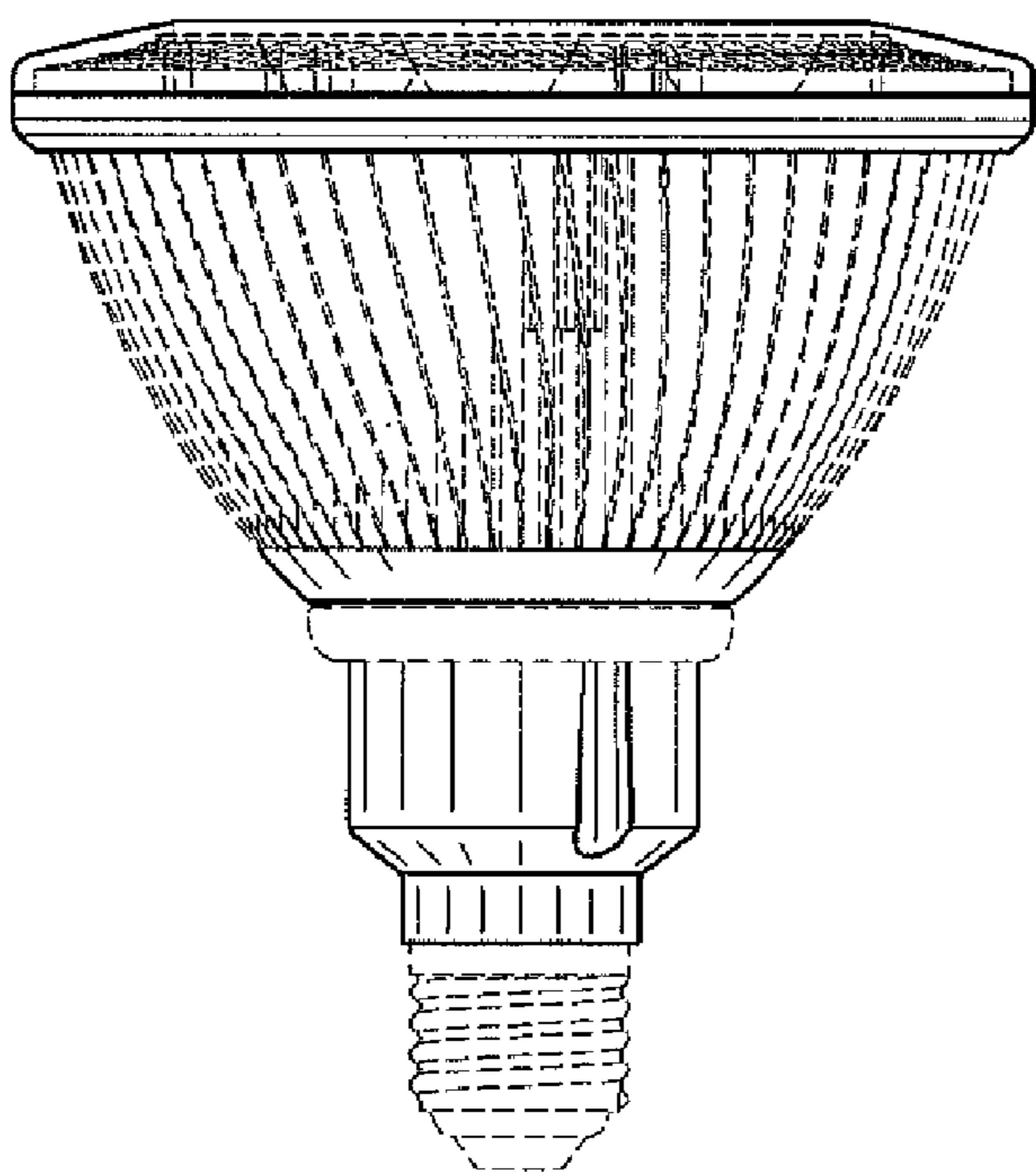


FIG. 14



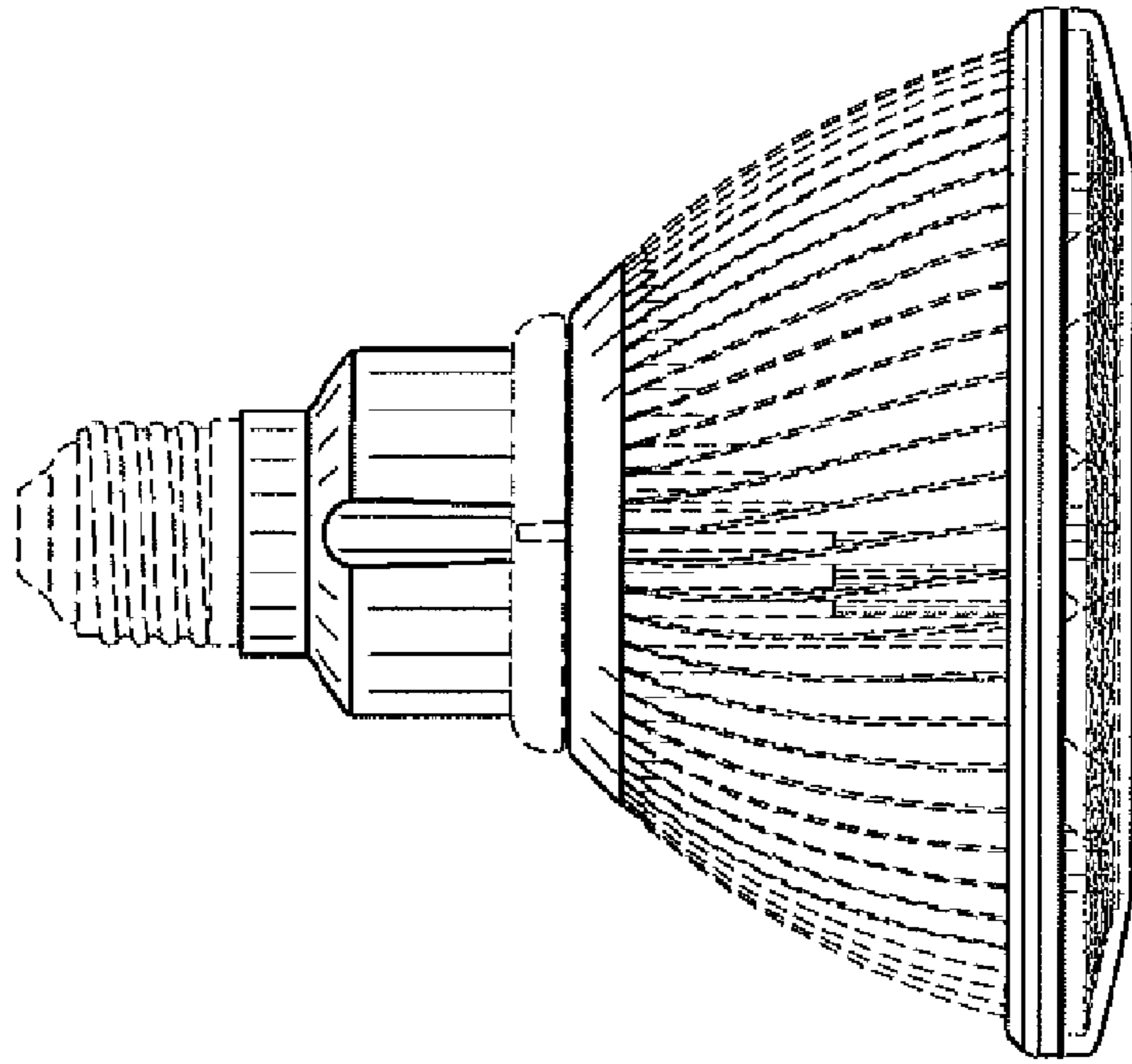


FIG. 15

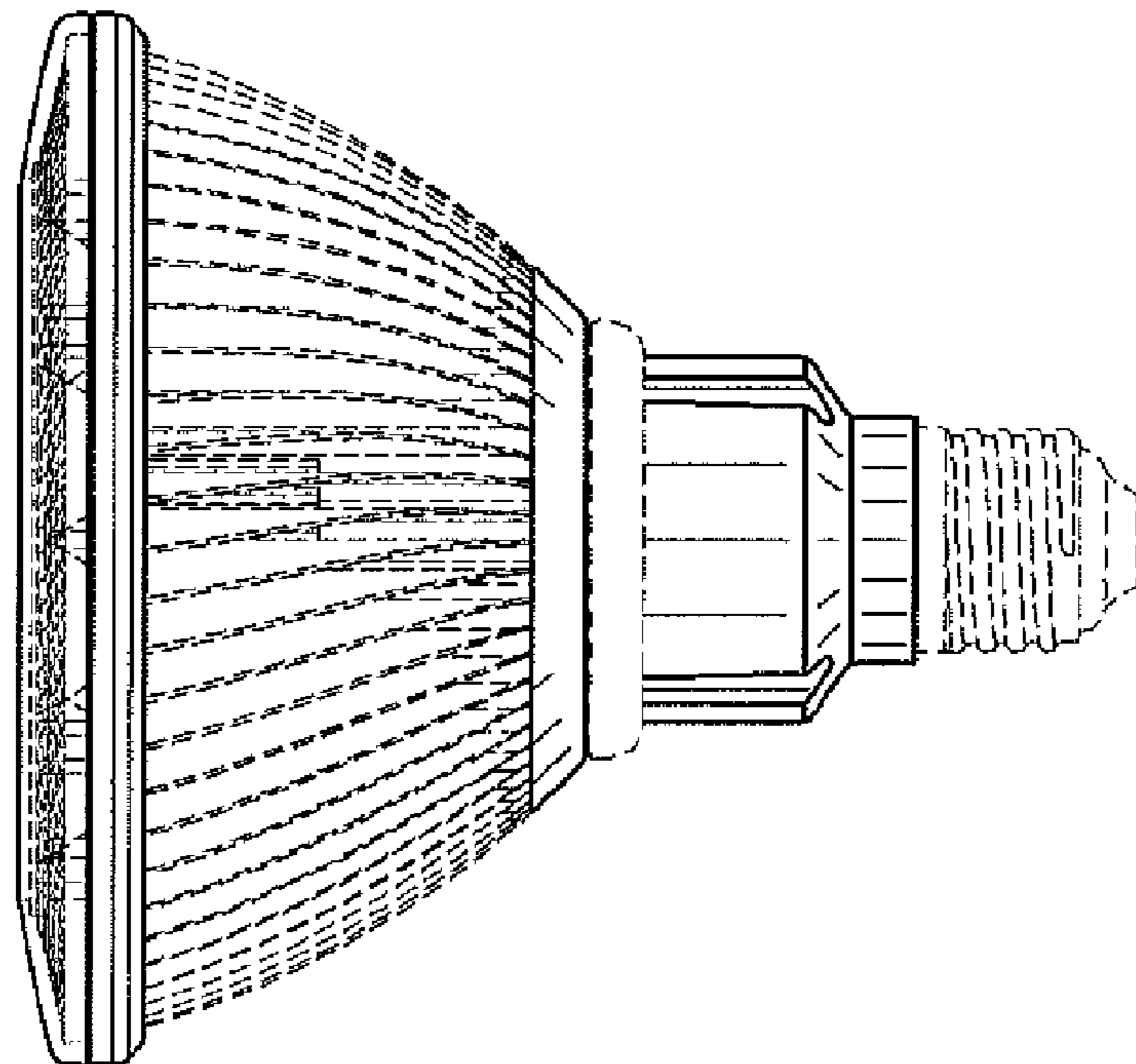


FIG. 16