



US00D613433S

(12) **United States Design Patent**
Moon

(10) **Patent No.:** **US D613,433 S**
(45) **Date of Patent:** **** Apr. 6, 2010**

(54) **LED LAMP**

D545,457 S * 6/2007 Chen D26/2
D551,784 S * 9/2007 Krieglmeier et al. D26/2
D581,554 S * 11/2008 To et al. D26/2

(75) Inventor: **Joon Kwon Moon**, Seoul (KR)

(73) Assignee: **LG Electronics Inc.**, Seoul (KR)

* cited by examiner

(**) Term: **14 Years**

Primary Examiner—Marcus A Jackson

(21) Appl. No.: **29/344,824**

(74) *Attorney, Agent, or Firm*—Birch, Stewart, Kolasch & Birch, LLP

(22) Filed: **Oct. 5, 2009**

(57) **CLAIM**

(30) **Foreign Application Priority Data**

I claim the ornamental design for an LED lamp, as shown and described.

Sep. 3, 2009 (KR) 30-2009-0039173

DESCRIPTION

(51) **LOC (9) Cl.** **26-06**

FIG. 1 is a perspective view of an LED lamp showing my new design:

(52) **U.S. Cl.** **D26/2**

(58) **Field of Classification Search** D26/1-4;
313/313, 315, 316, 317, 318, 493; 315/52,
315/53, 56, 57, 58

FIG. 2 is a front elevation view thereof;

FIG. 3 is a rear elevation view thereof;

See application file for complete search history.

FIG. 4 is a left-side elevation view thereof;

FIG. 5 is a right-side elevation view thereof;

(56) **References Cited**

U.S. PATENT DOCUMENTS

D497,439 S * 10/2004 Shaw et al. D26/2
D516,229 S * 2/2006 Tang D26/2
D527,119 S * 8/2006 Maxik et al. D26/2

FIG. 6 is a top plan view thereof; and,

FIG. 7 is a bottom plan view thereof.

1 Claim, 4 Drawing Sheets

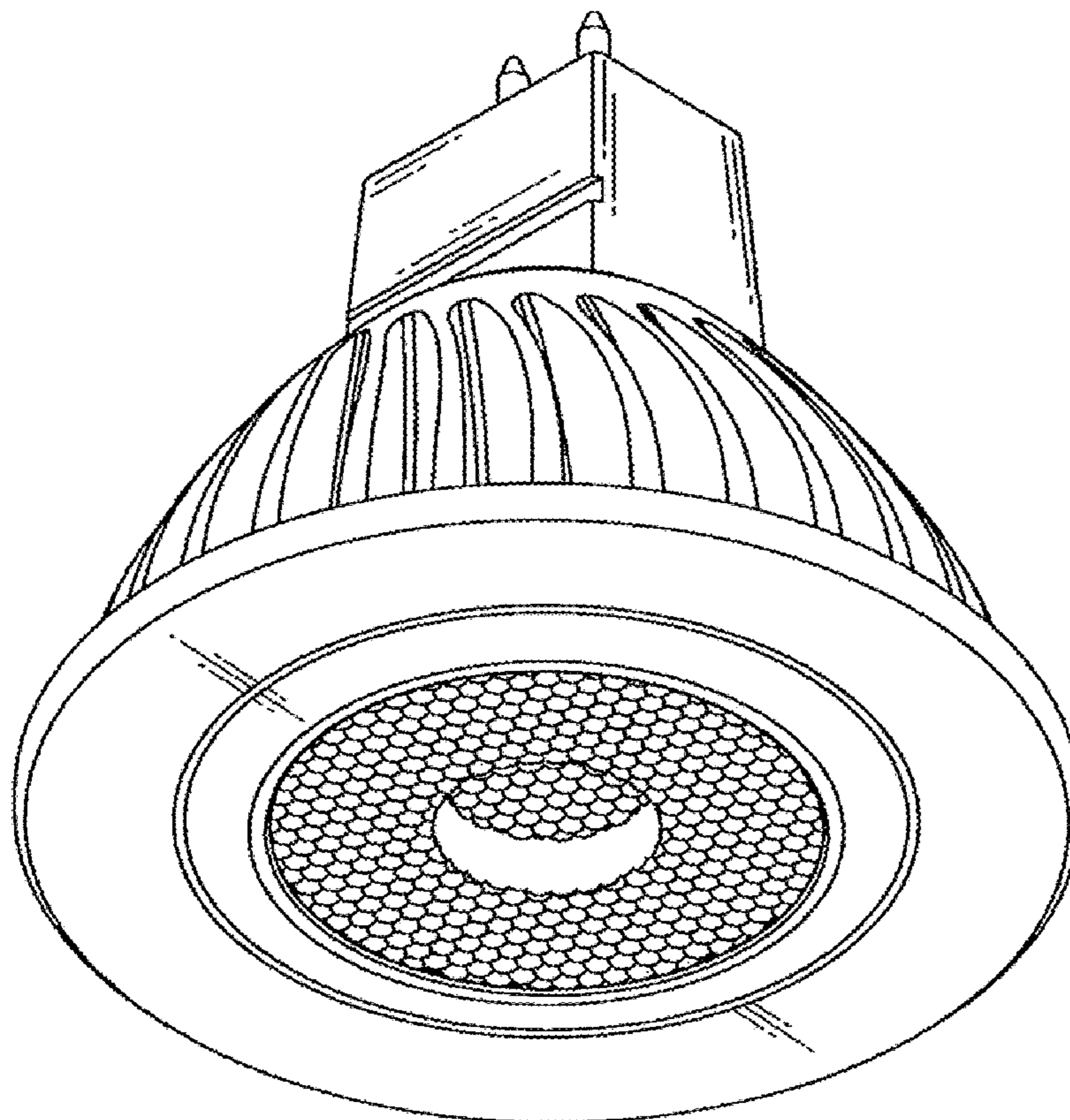


FIG. 1

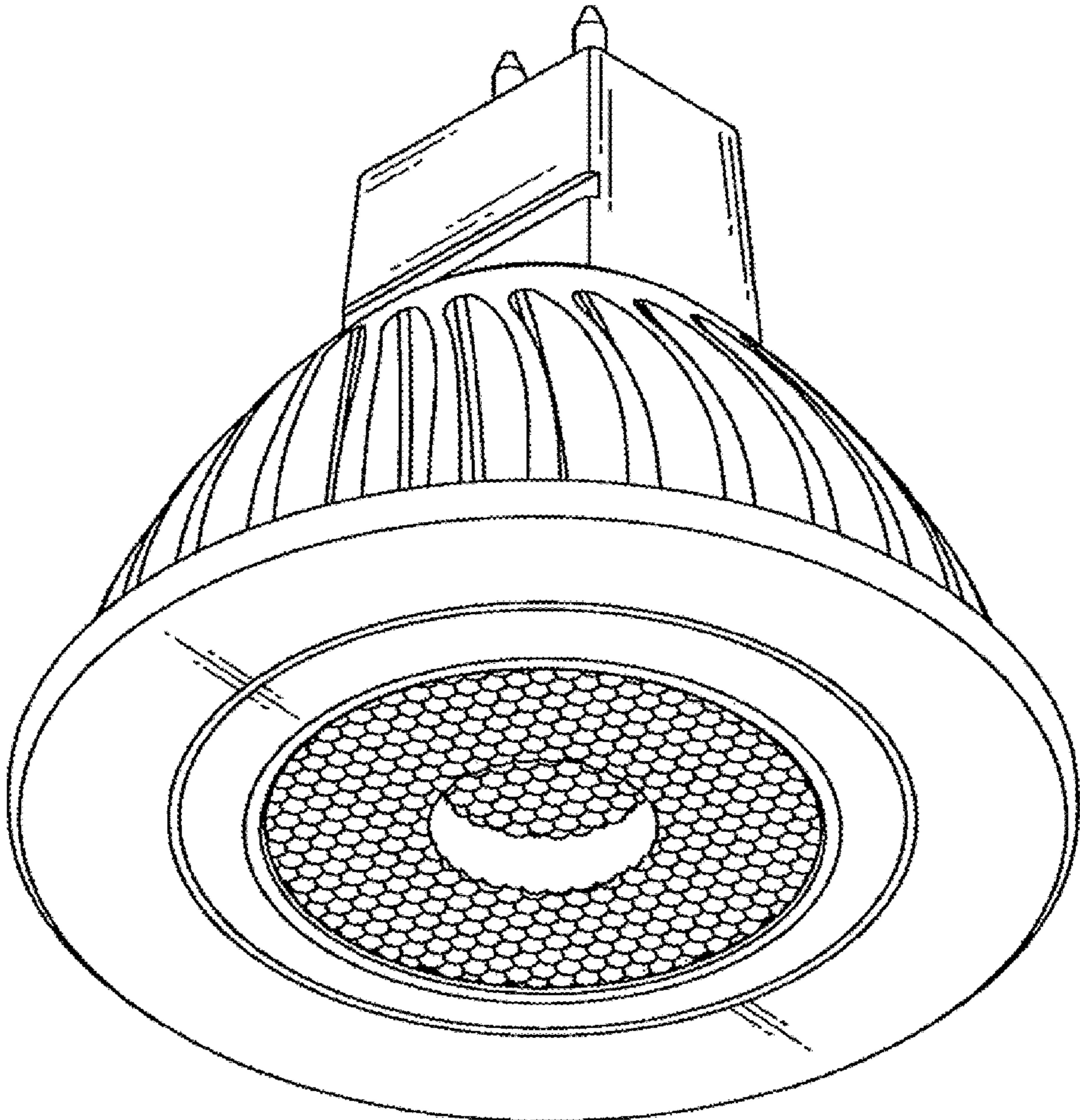


FIG. 2

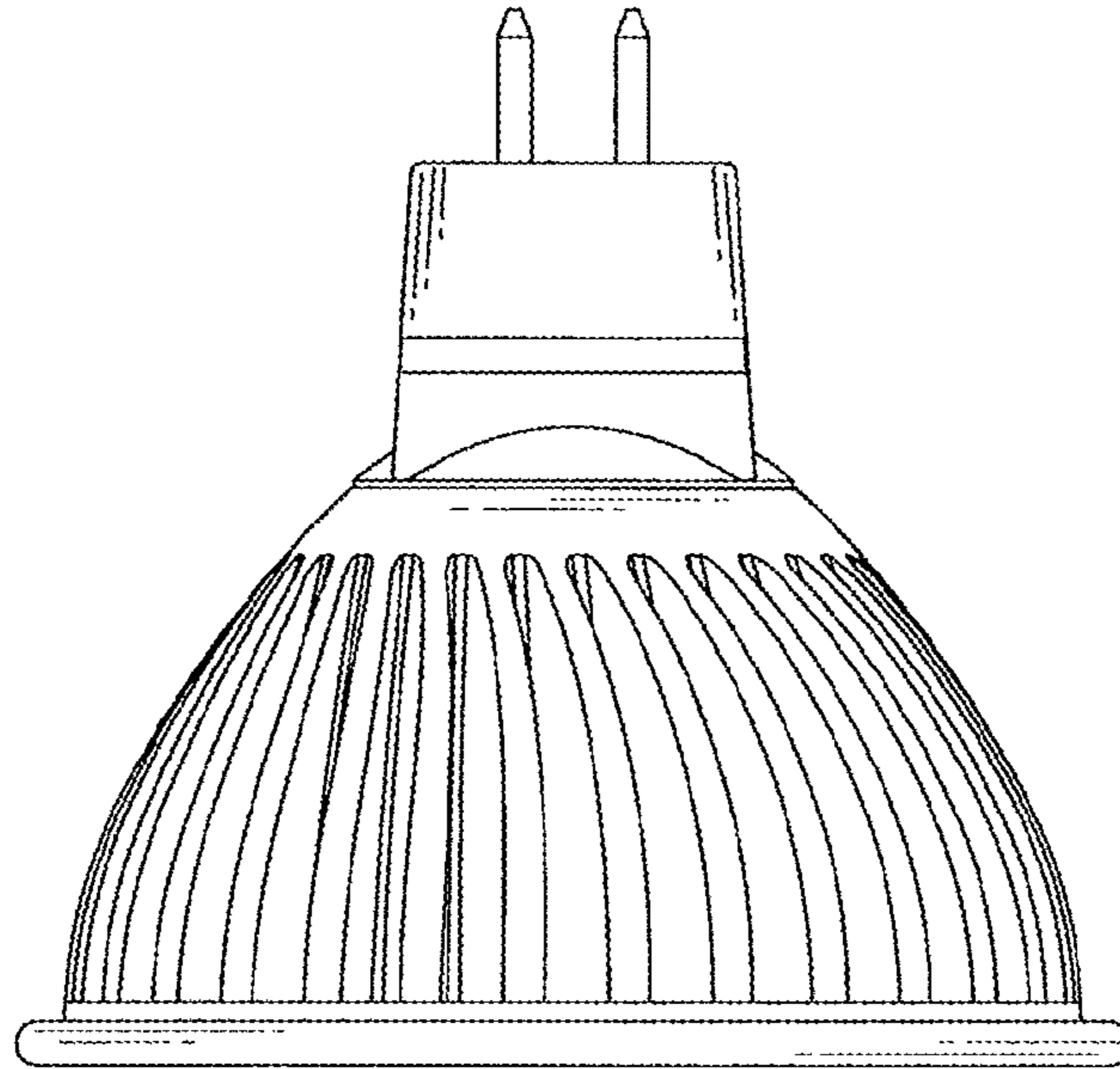


FIG. 3

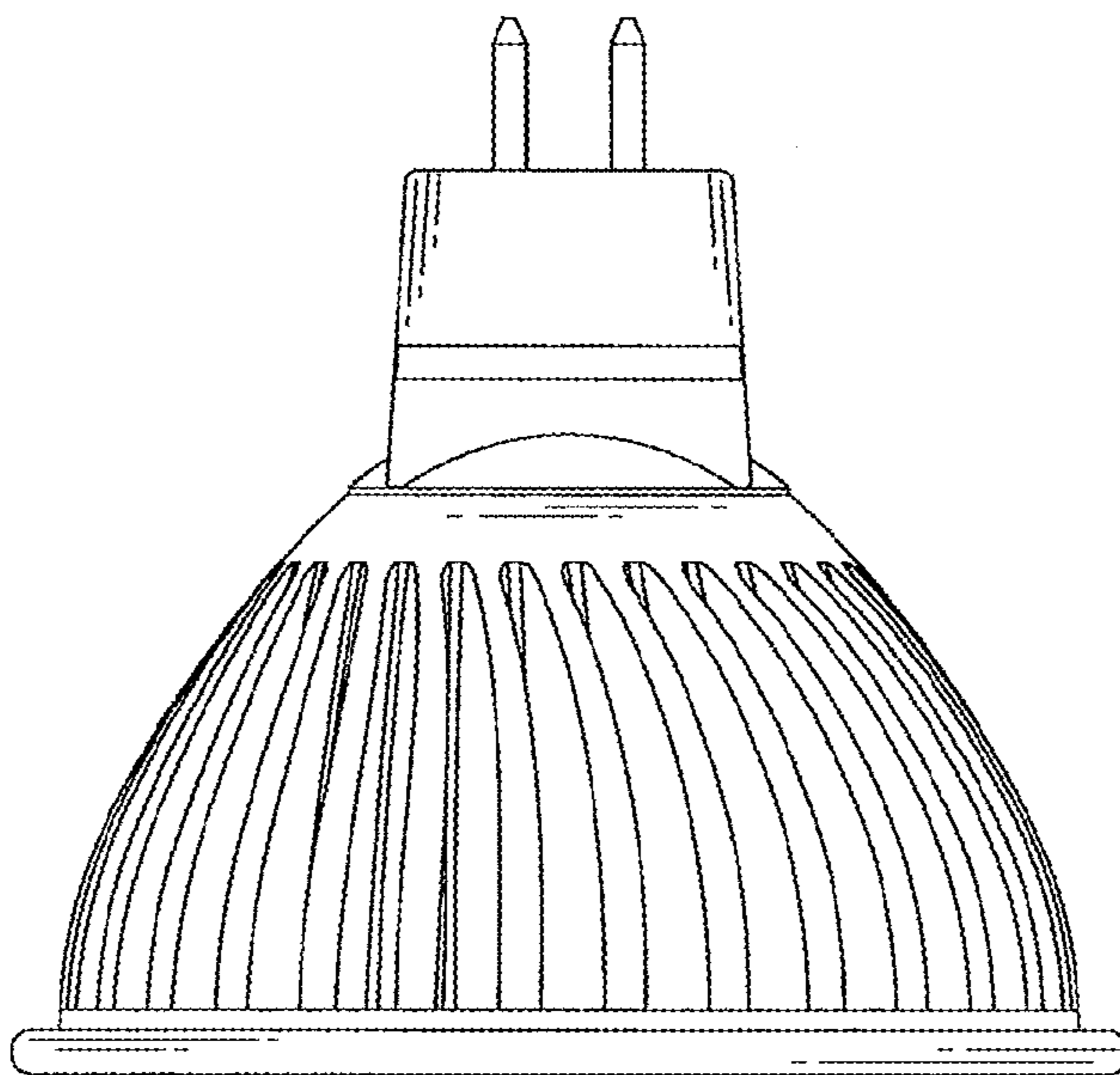


FIG. 4

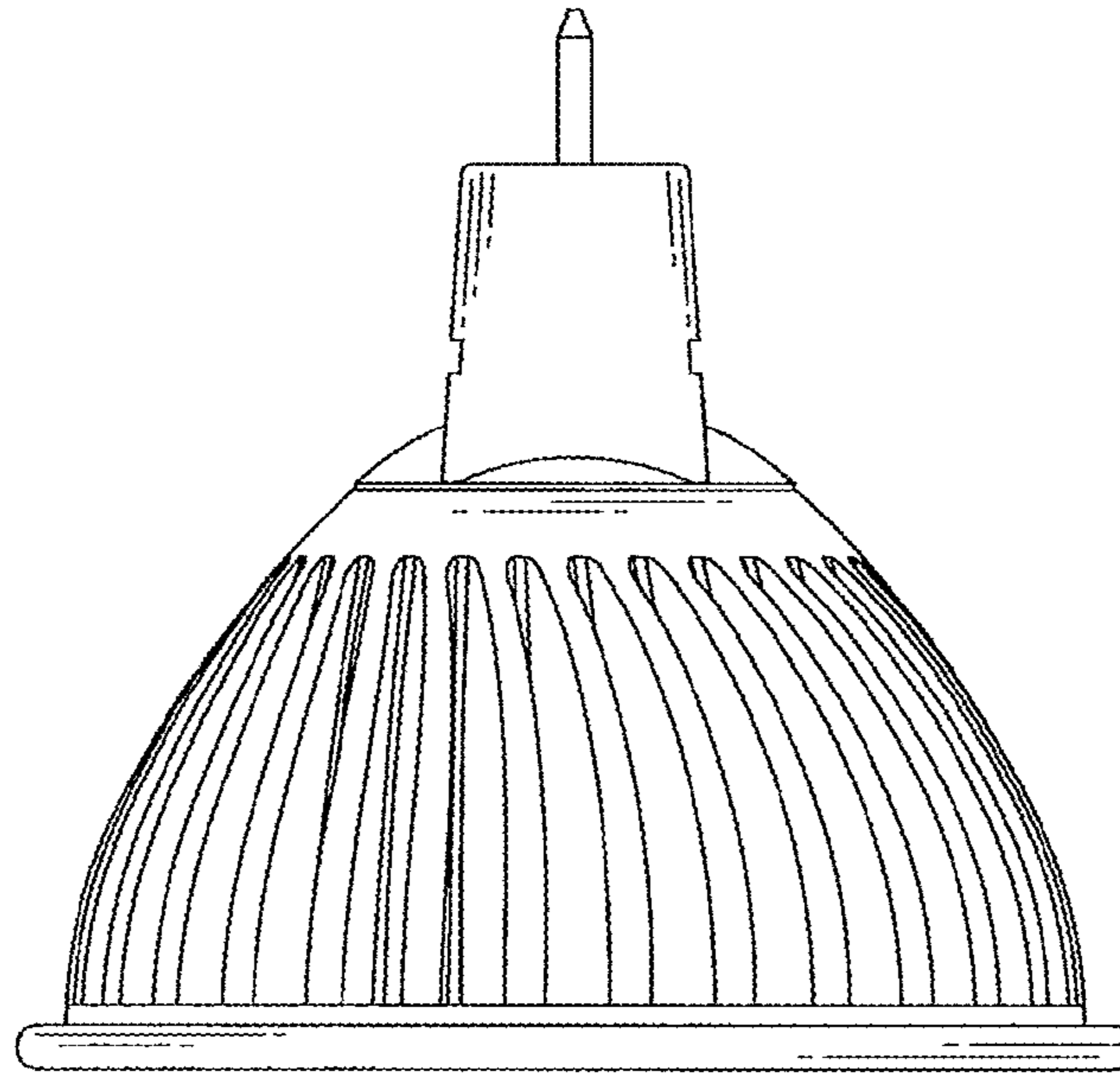


FIG. 5

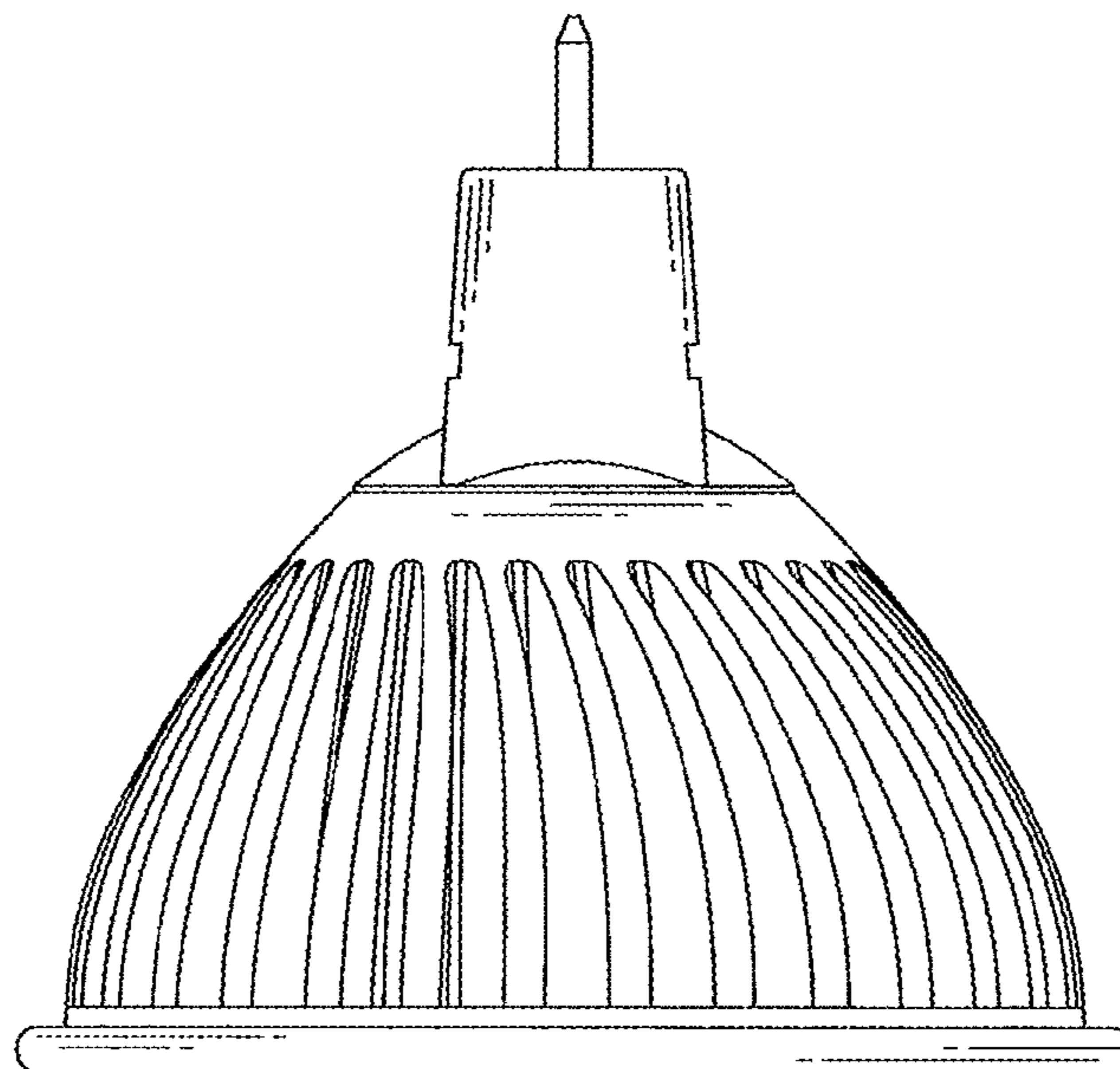


FIG. 6

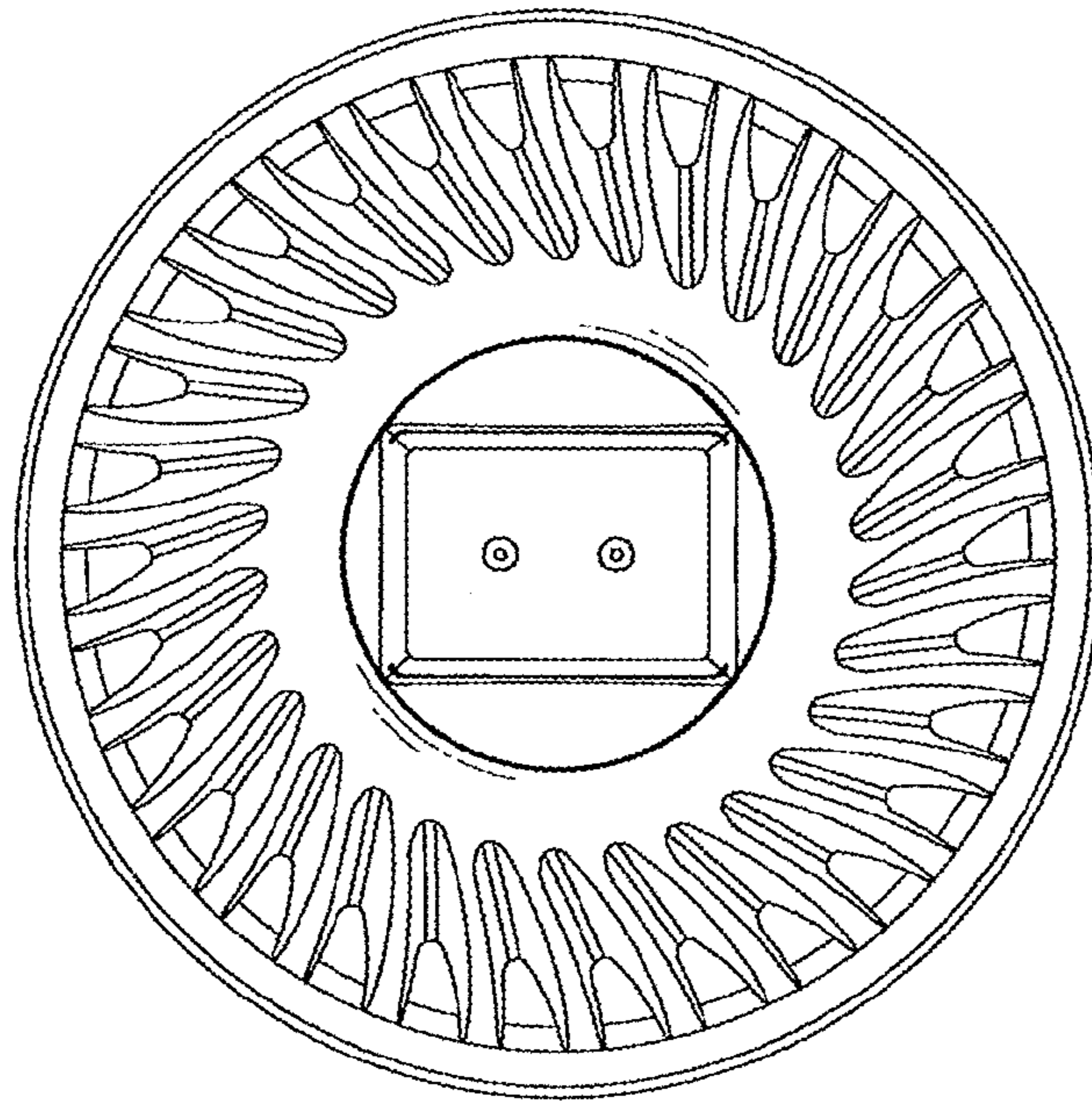


FIG. 7

