



US00D613429S

(12) **United States Design Patent**
Knepp et al.

(10) **Patent No.:** **US D613,429 S**

(45) **Date of Patent:** **** Apr. 6, 2010**

(54) **METAL PANEL**

(75) Inventors: **Wayne A. Knepp**, Morton, IL (US);
Paul G. Remmele, Morton, IL (US);
John Brazil, East Peoria, IL (US); **Verne Voth**, Hesston, KS (US)

(73) Assignee: **Morton Buildings**, Morton, IL (US)

(**) Term: **14 Years**

(21) Appl. No.: **29/331,858**

(22) Filed: **Feb. 3, 2009**

(51) **LOC (9) Cl.** **25-01**

(52) **U.S. Cl.** **D25/141**

(58) **Field of Classification Search** D25/139,
D25/141, 143, 144; 52/314, 528, 535, 554,
52/557, 311.2

See application file for complete search history.

(56) **References Cited**

U.S. PATENT DOCUMENTS

D178,605	S	*	8/1956	Hield	D25/123
2,918,996	A	*	12/1959	Brown	52/522
D205,008	S	*	6/1966	Lee et al.	D25/125
D216,561	S	*	2/1970	Colson et al.	D25/125
D216,836	S	*	3/1970	Faulkner et al.	D25/125
3,760,549	A	*	9/1973	Silberkuhl et al.	52/630
D234,437	S	*	3/1975	Craik	D25/125
D238,898	S	*	2/1976	Landis et al.	D25/119
D240,325	S	*	6/1976	Landis et al.	D25/125

4,358,916	A	*	11/1982	Lacasse	52/630
D270,092	S	*	8/1983	Lacasse	D25/123
D286,433	S	*	10/1986	Greco	D25/50
D382,351	S	*	8/1997	Baxter et al.	D25/141
D402,063	S	*	12/1998	Dickey	D25/138
D447,578	S	*	9/2001	Larose	D25/141
D453,382	S	*	2/2002	Chuang	D25/141
D526,726	S		8/2006	Bragg et al.		
D527,835	S	*	9/2006	Ross	D25/141
D581,511	S	*	11/2008	Rosten et al.	D23/393
D587,821	S	*	3/2009	Larsen	D25/141

* cited by examiner

Primary Examiner—Stella M Reid

Assistant Examiner—Mark A Goodwin

(74) *Attorney, Agent, or Firm*—Howard & Howard Attorneys PLLC

(57) **CLAIM**

The ornamental design for a metal panel, as shown and described.

DESCRIPTION

FIG. 1 is a top perspective end view of a metal panel showing our new design;

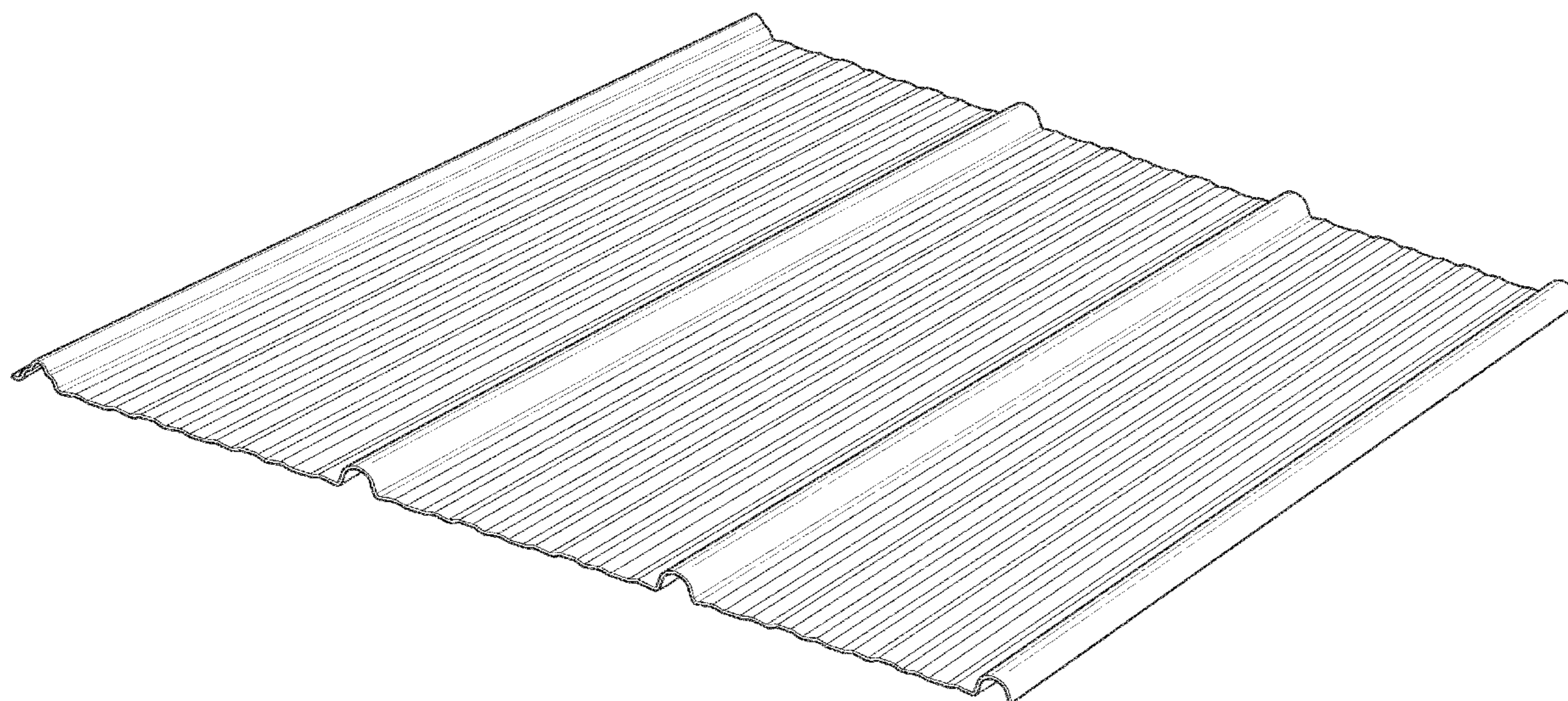
FIG. 2 is a bottom perspective end view thereof;

FIG. 3 is an end view thereof;

FIG. 4 is a first side view thereof; and,

FIG. 5 is a second side view thereof.

1 Claim, 3 Drawing Sheets



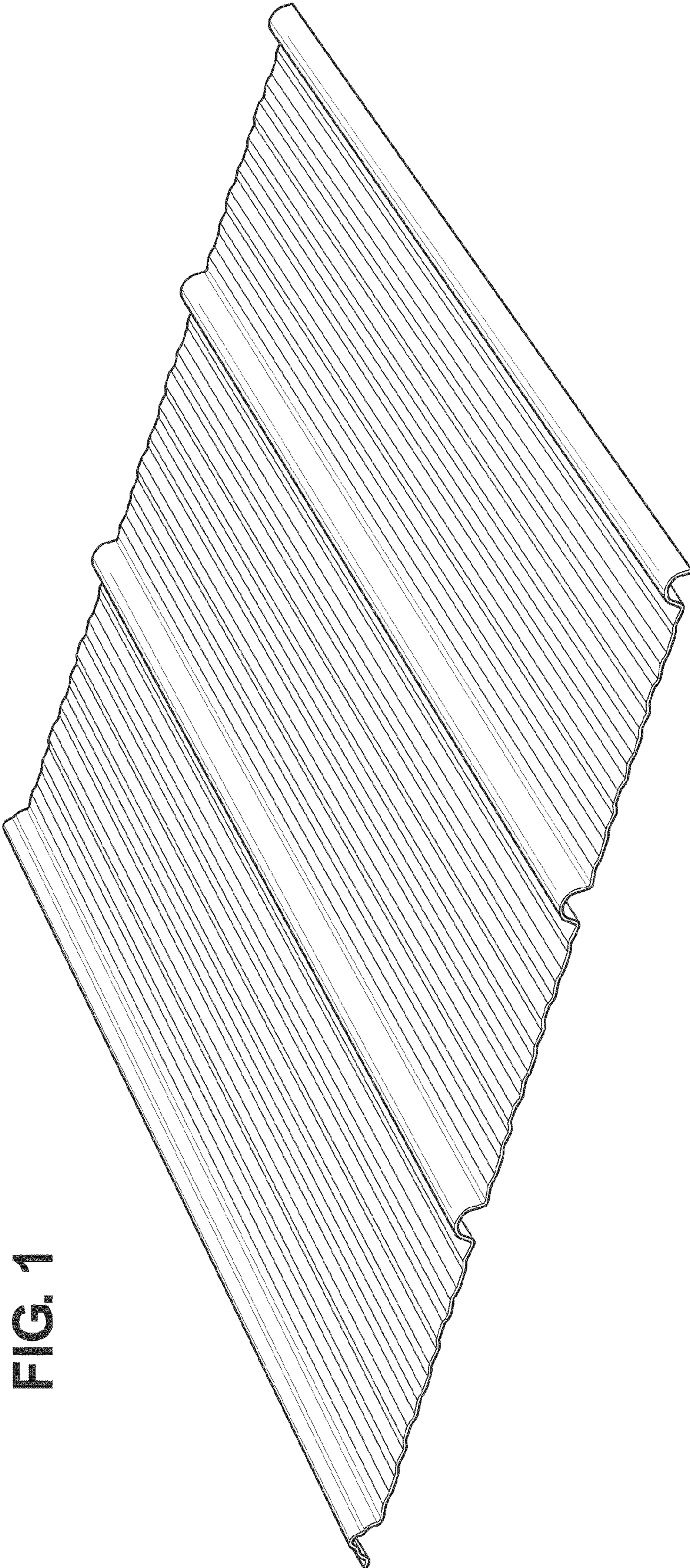


FIG. 1

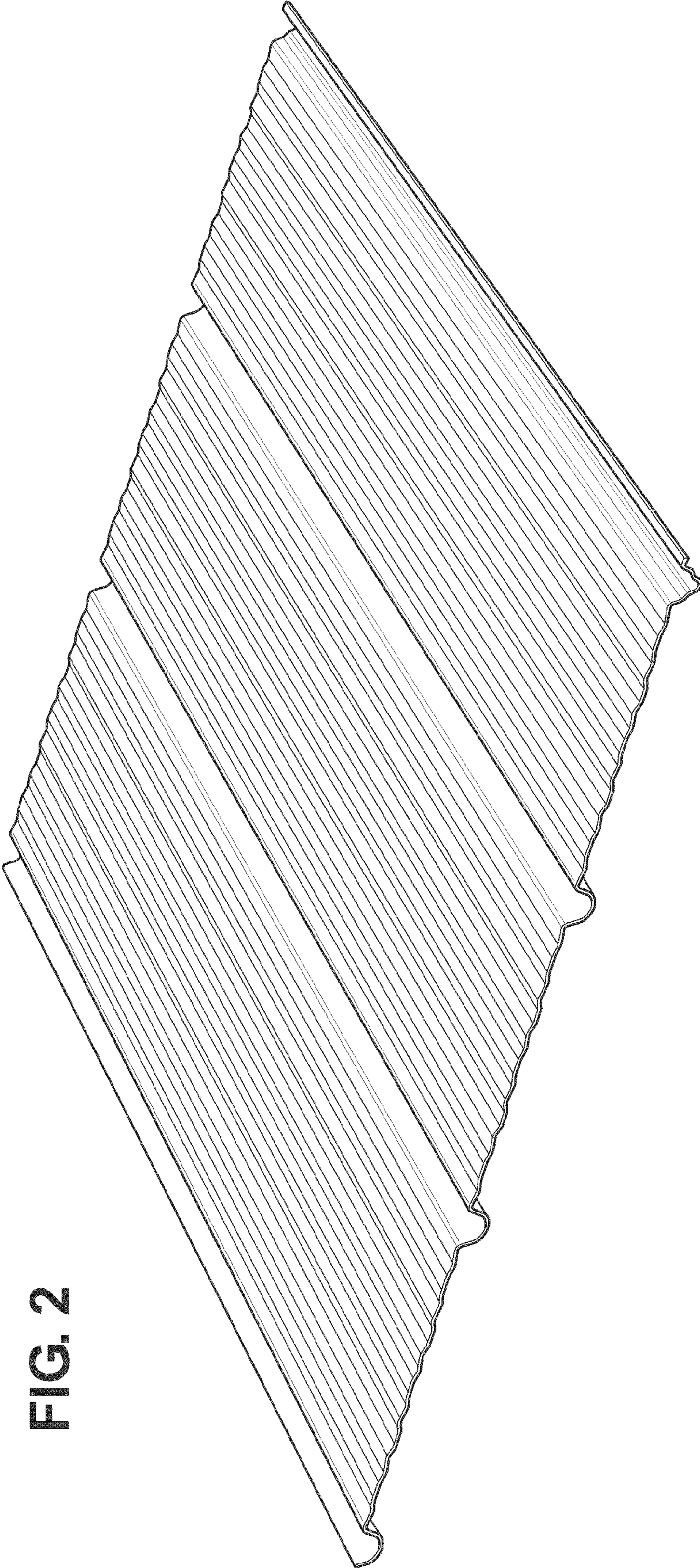


FIG. 2

FIG. 3



FIG. 4

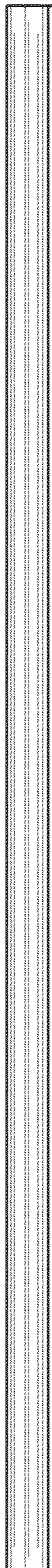


FIG. 5

