



US00D613425S

(12) **United States Design Patent**  
**Wu**

(10) **Patent No.:** **US D613,425 S**  
(45) **Date of Patent:** **\*\* Apr. 6, 2010**

(54) **LADDER RUNG**

*Primary Examiner—Doris Clark*

(76) Inventor: **Yi-Ni Wu**, 4FL. No. 27, Lane 160, Hsin Sheng S. Rd., Sec. 1, P.O. Box 1-79, Taipei (TW) 100

(57) **CLAIM**

I claim the ornamental design for a ladder rung, as shown and described.

(\*\*) Term: **14 Years**

(21) Appl. No.: **29/311,800**

**DESCRIPTION**

(22) Filed: **Jun. 26, 2009**

FIG. 1 is a perspective view of the ladder rung of this invention;

(51) **LOC (9) Cl.** ..... **25-04**

FIG. 2 is a front view thereof;

(52) **U.S. Cl.** ..... **D25/69**

FIG. 3 is a rear view thereof;

(58) **Field of Classification Search** ..... D25/68,  
D25/69; 182/120, 129, 228.1, 189, 179.1,  
182/180.1, 194

FIG. 4 is a left view thereof;

FIG. 5 is a right view thereof;

See application file for complete search history.

FIG. 6 is a top view thereof;

FIG. 7 is a bottom view thereof;

(56) **References Cited**

**U.S. PATENT DOCUMENTS**

FIG. 8 is a perspective view of the ladder rung of this invention in reverse position; and,

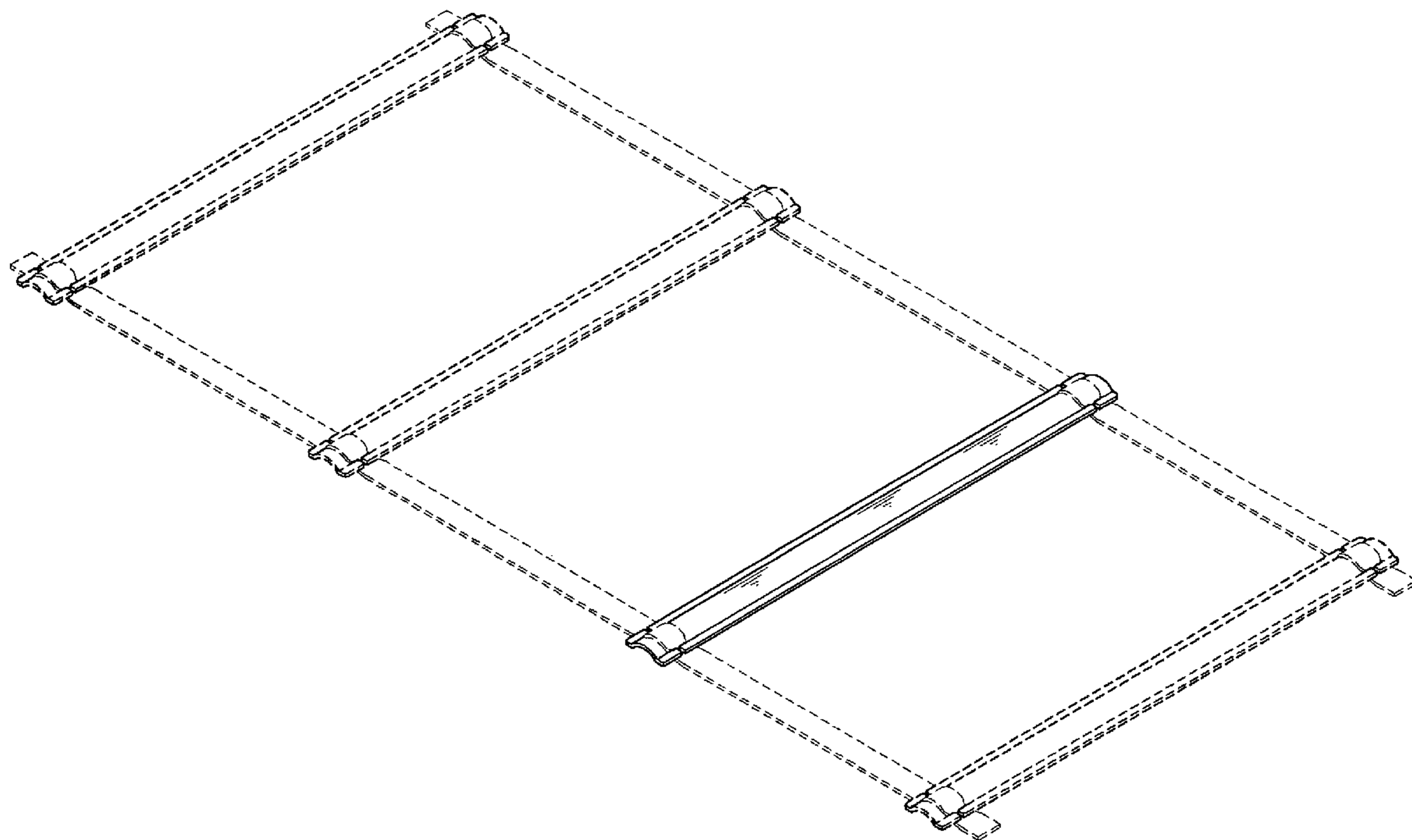
FIG. 9 is a perspective view of the ladder rung of this invention in state of use.

901,755	A *	10/1908	Tiepolt	.....	182/194
2,951,550	A *	9/1960	Rich	.....	182/194
3,002,582	A *	10/1961	Marcelis	.....	182/194
D258,839	S *	4/1981	Broyles	.....	D25/69
D291,006	S *	7/1987	Minichillo et al.	.....	D25/69
5,941,345	A *	8/1999	D'Alessio et al.	.....	182/179.1

The broken lines are for illustrative purposes only and form no part of the claimed design.

\* cited by examiner

**1 Claim, 5 Drawing Sheets**



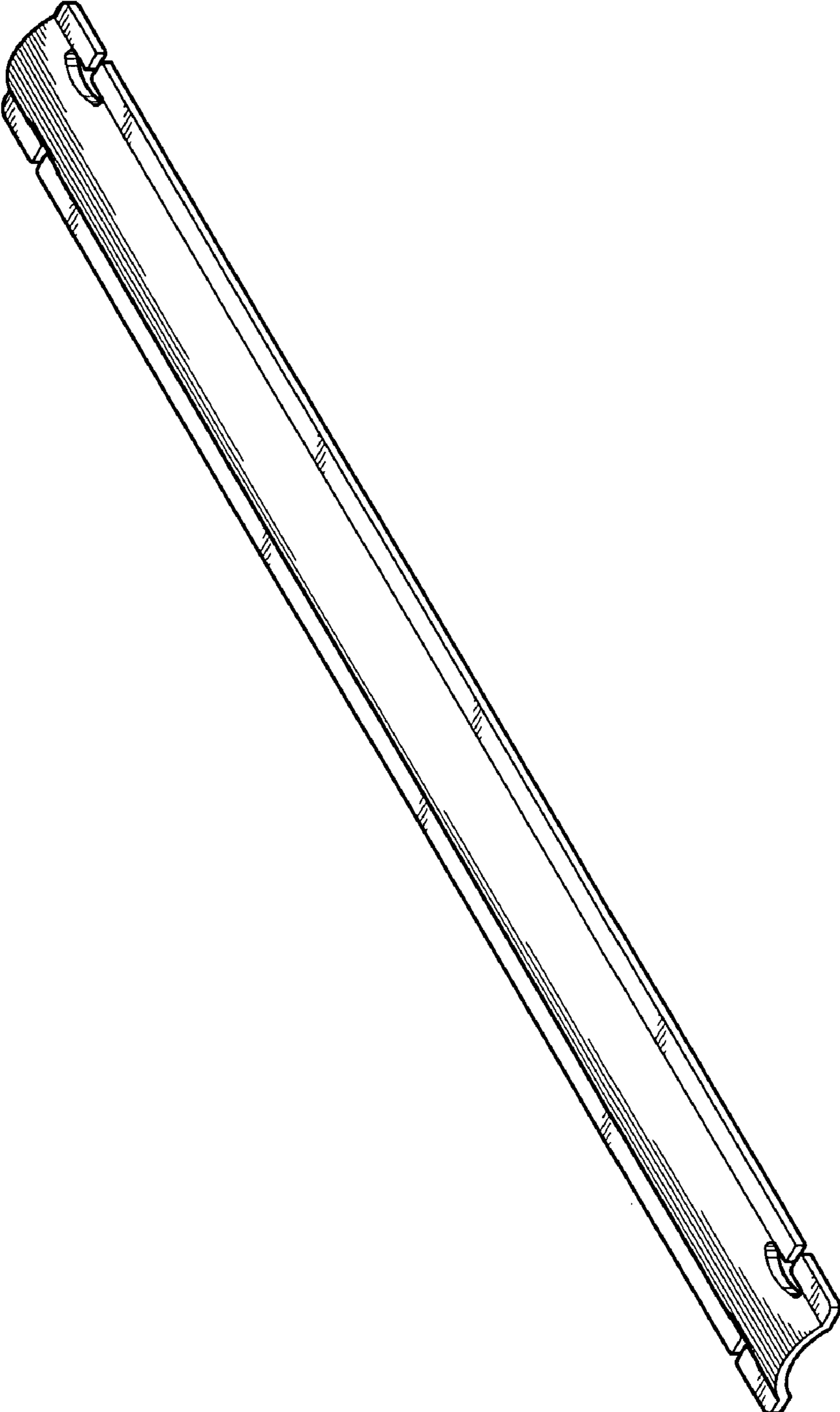


FIG.1



FIG. 2



FIG. 3



FIG. 4



FIG. 5

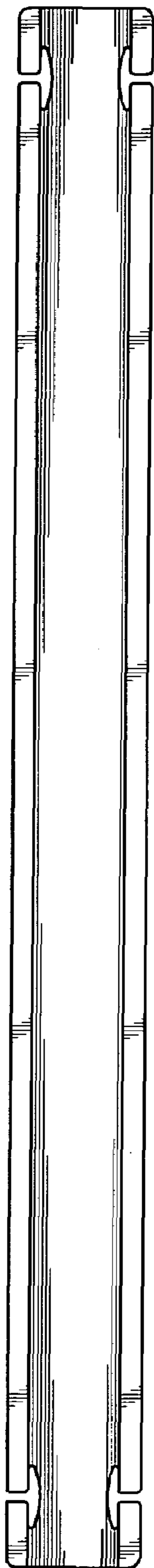


FIG. 6

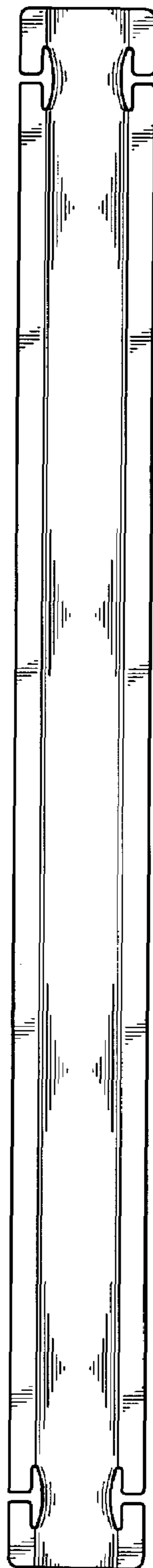


FIG. 7

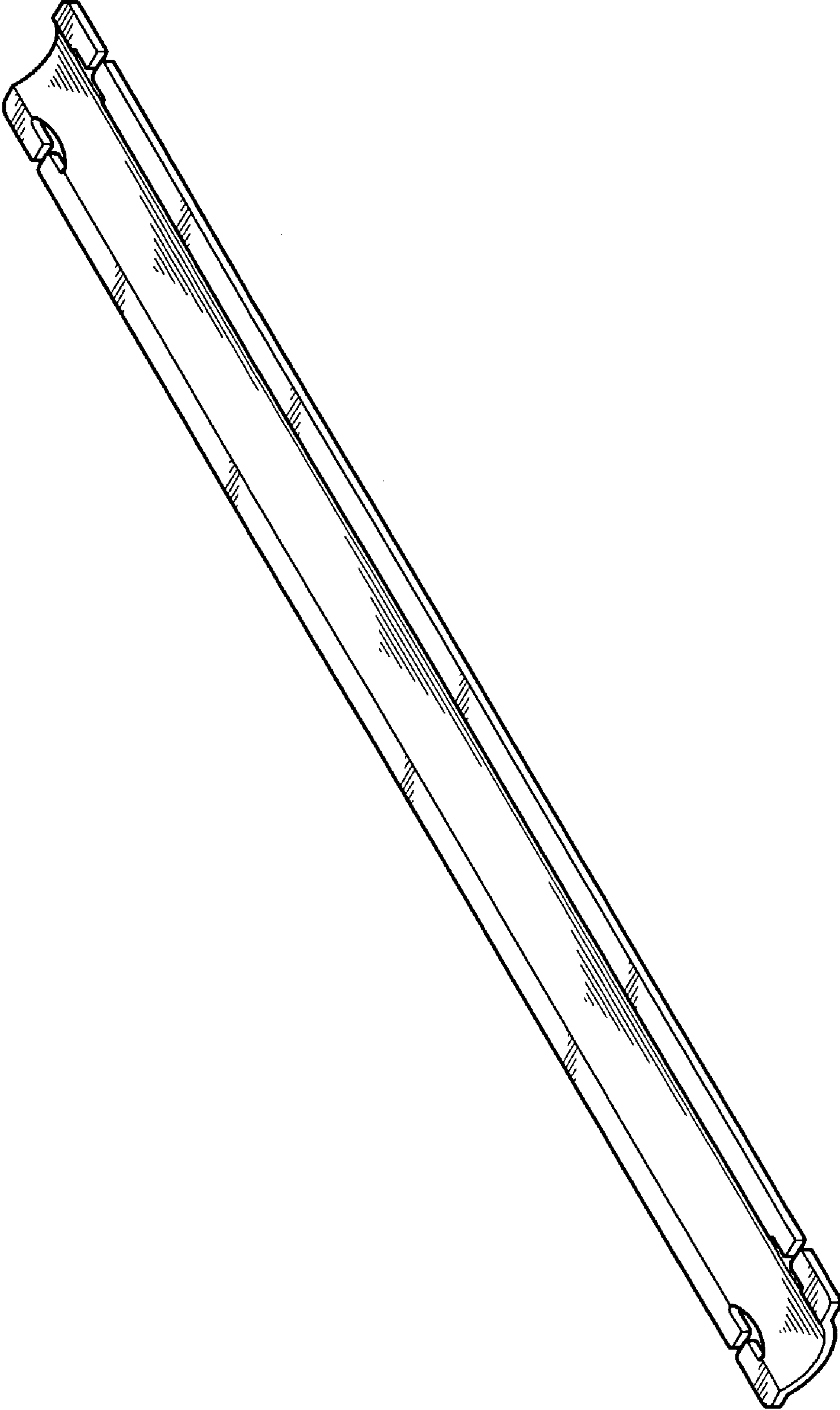


FIG. 8

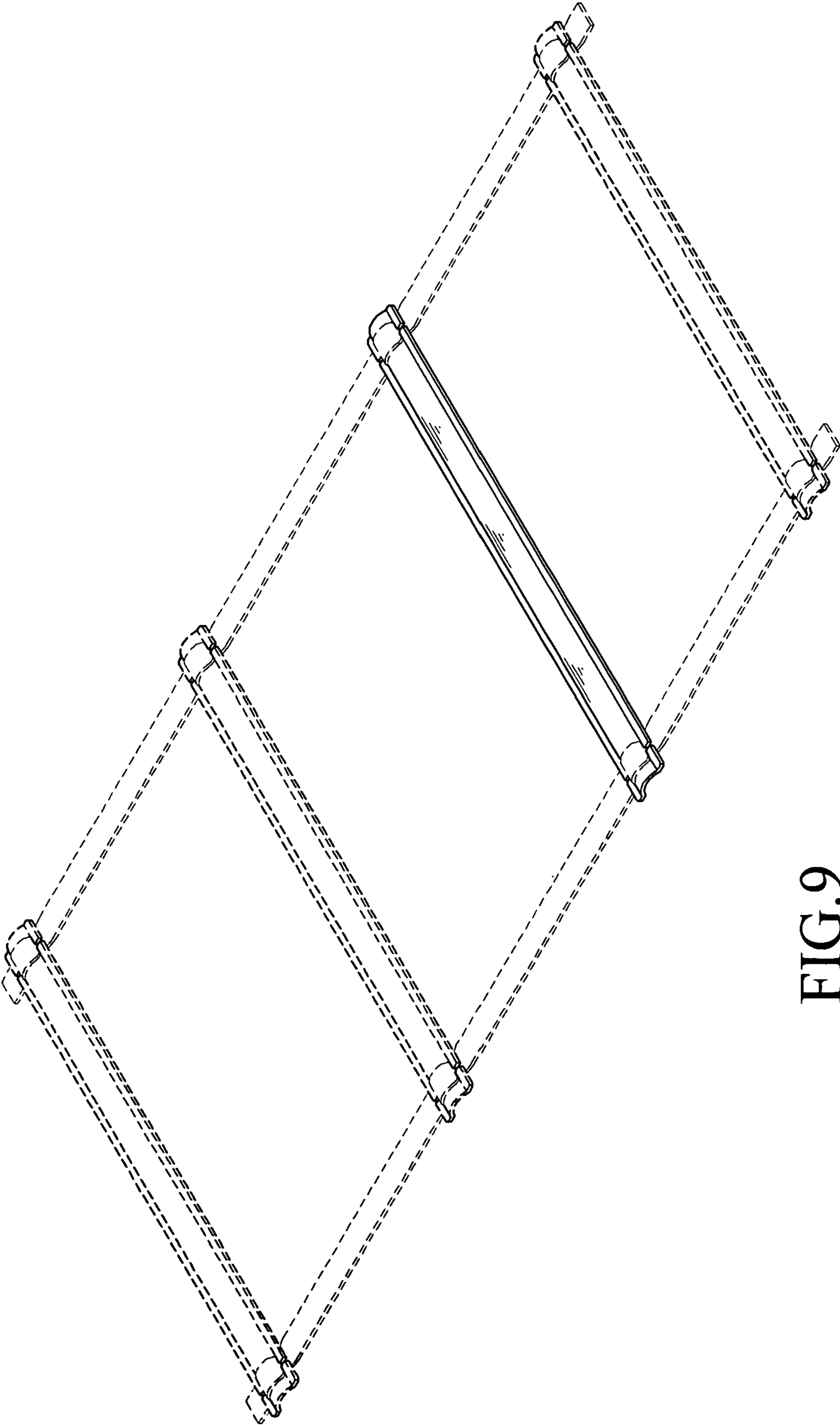


FIG. 9