



US00D613424S

(12) **United States Design Patent**
Smith

(10) **Patent No.:** **US D613,424 S**

(45) **Date of Patent:** **** Apr. 6, 2010**

(54) **PAIR OF FOOT PLATFORM SUPPORT TUBES**

D402,046 S * 12/1998 Lal D25/68

(76) Inventor: **Doug Smith**, 106 Harris Rd., East
Peoria, IL (US) 61611

* cited by examiner

Primary Examiner—Doris Clark

(74) *Attorney, Agent, or Firm*—Law Office of Robert M. Patino

(**) Term: **14 Years**

(21) Appl. No.: **29/316,665**

(57) **CLAIM**

(22) Filed: **Oct. 19, 2009**

I claim the ornamental design for a pair of foot platform support tubes, as shown and described.

(51) **LOC (9) Cl.** **25-04**

(52) **U.S. Cl.** **D25/68**

(58) **Field of Classification Search** D25/62,
D25/68; 248/236, 210, 238; 182/112, 113,
182/119, 130, 145, 101, 102, 115, 120, 187
See application file for complete search history.

DESCRIPTION

FIG. 1 is a top front perspective view of a pair of foot platform support tubes showing my new design;

FIG. 2 is a front elevation view thereof;

FIG. 3 is a rear elevation view thereof;

FIG. 4 is a right side elevation view thereof;

FIG. 5 is a top plan view thereof; and,

FIG. 6 is a bottom plan view thereof.

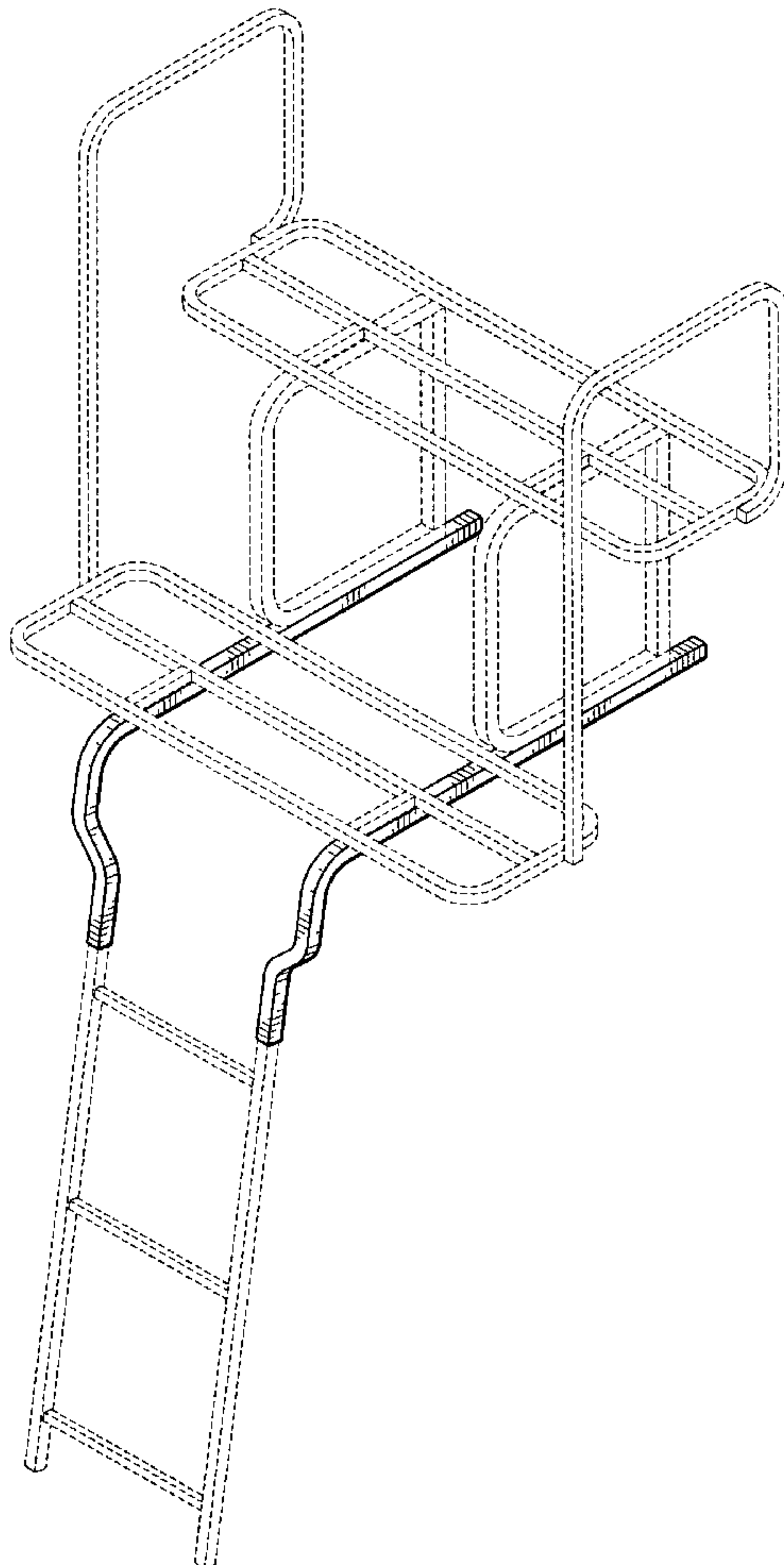
The broken lines showing a ladder and platform are for illustrative purposes only and form no part of the claimed design.

(56) **References Cited**

U.S. PATENT DOCUMENTS

| | | | | | |
|-----------|-----|---------|----------------|-------|---------|
| 3,270,997 | A * | 9/1966 | Gethmann | | 248/235 |
| 3,425,509 | A * | 2/1969 | Gilbert et al. | | 182/113 |
| 3,905,449 | A * | 9/1975 | Uphoff | | 182/82 |
| 5,120,013 | A * | 6/1992 | Sweeney | | 248/238 |
| D334,812 | S * | 4/1993 | Hart et al. | | D25/68 |
| 5,259,477 | A * | 11/1993 | Fears et al. | | 182/82 |

1 Claim, 6 Drawing Sheets



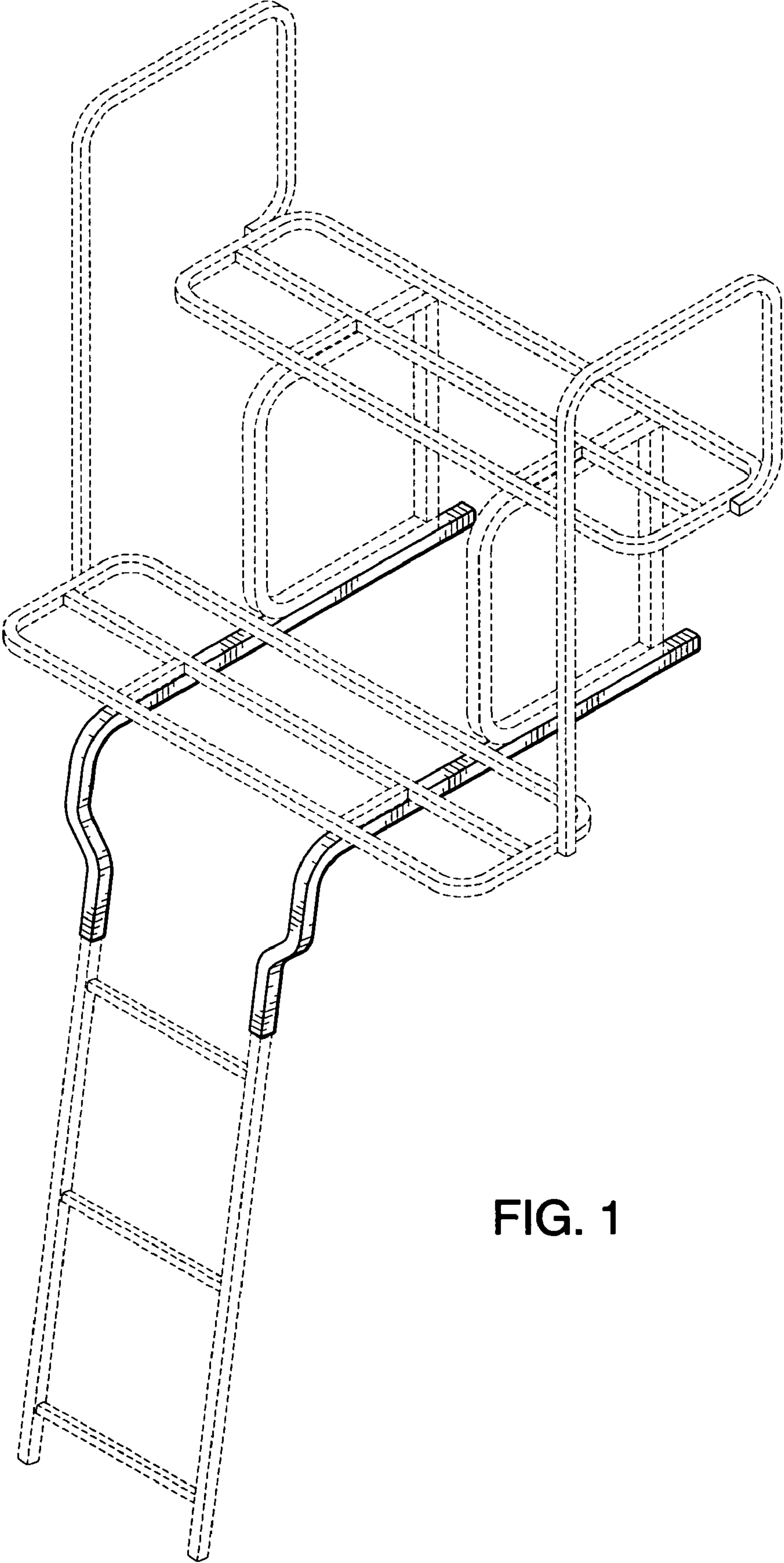


FIG. 1

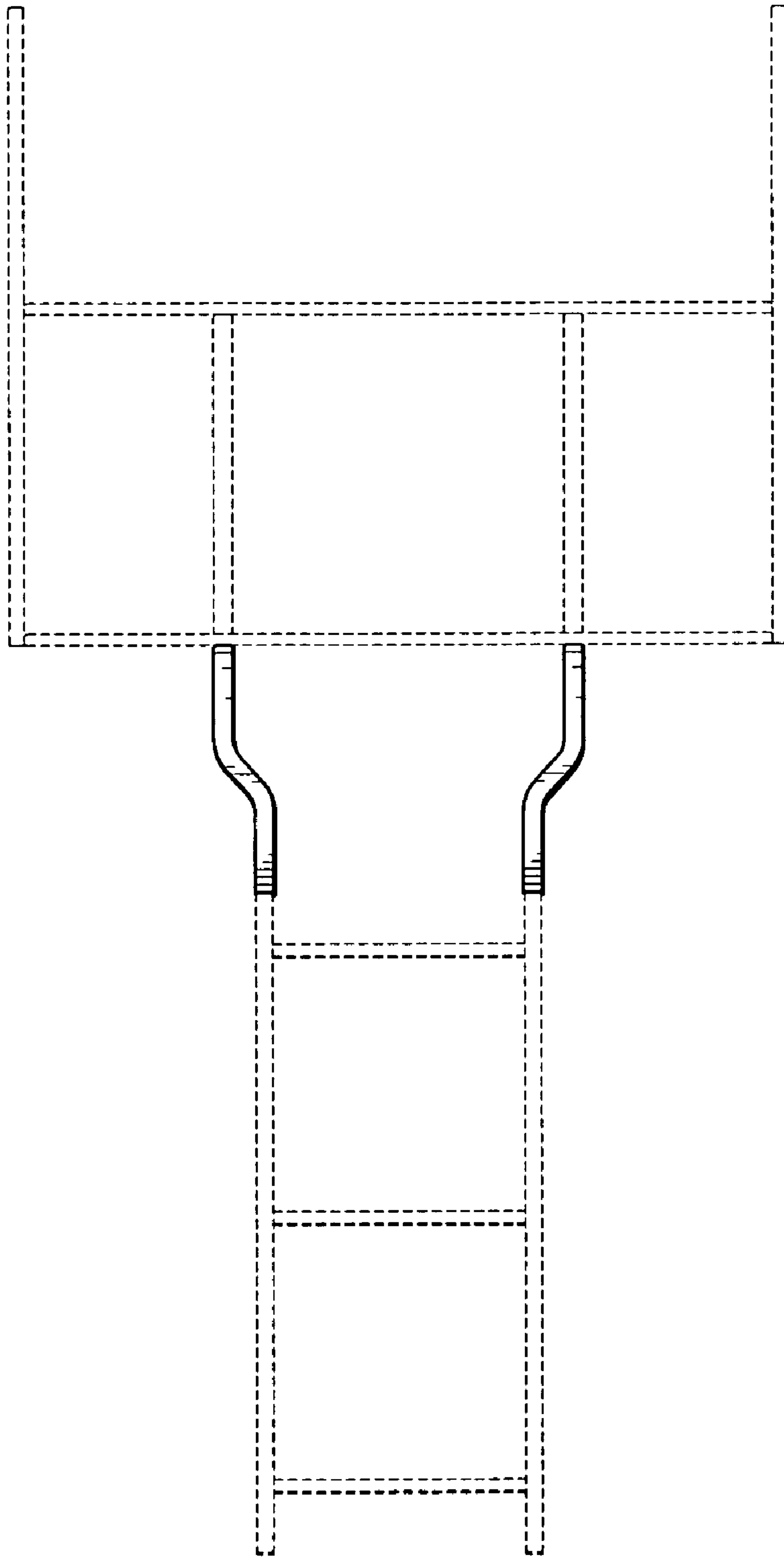


FIG. 2

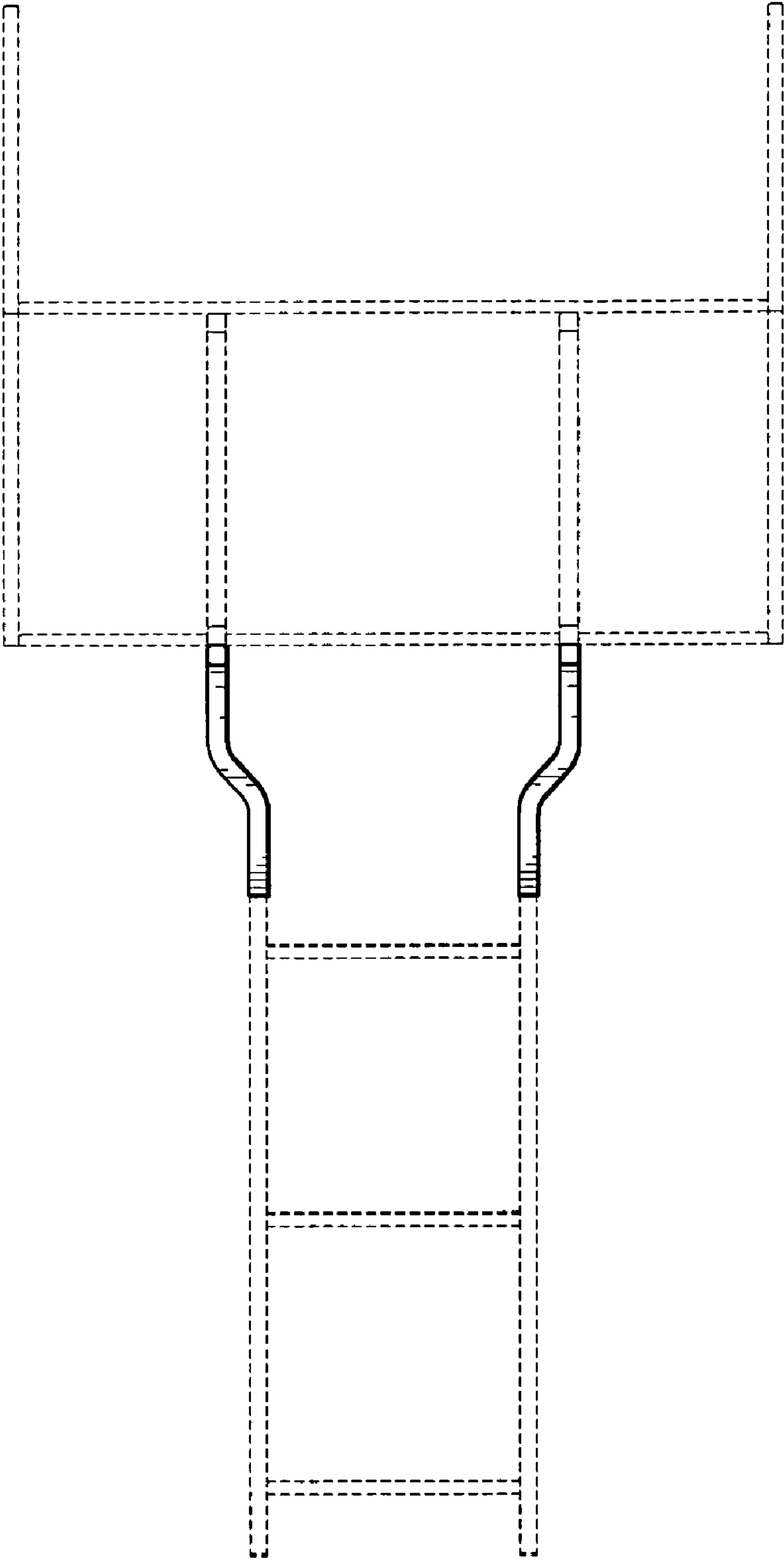


FIG. 3

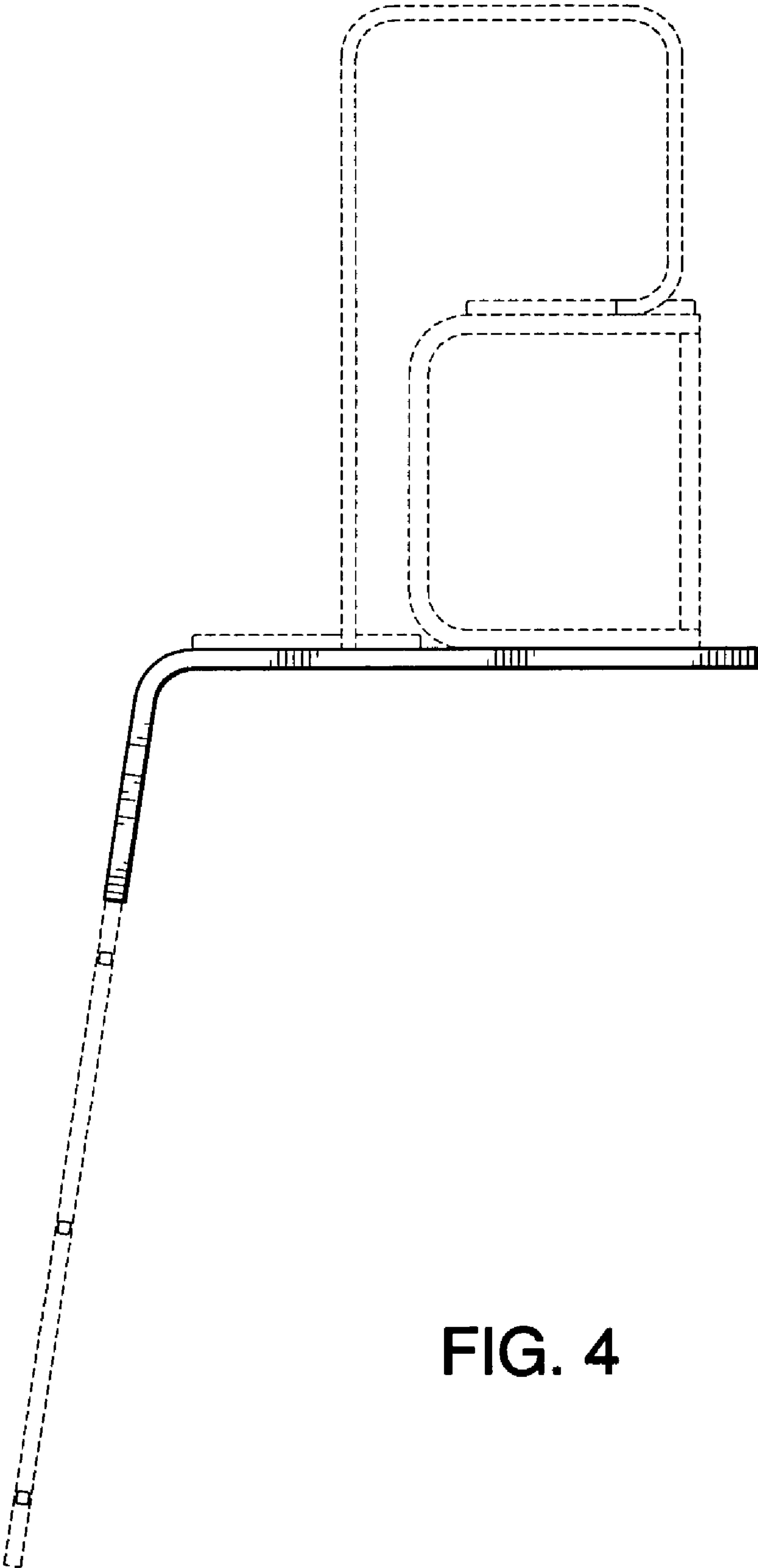


FIG. 4

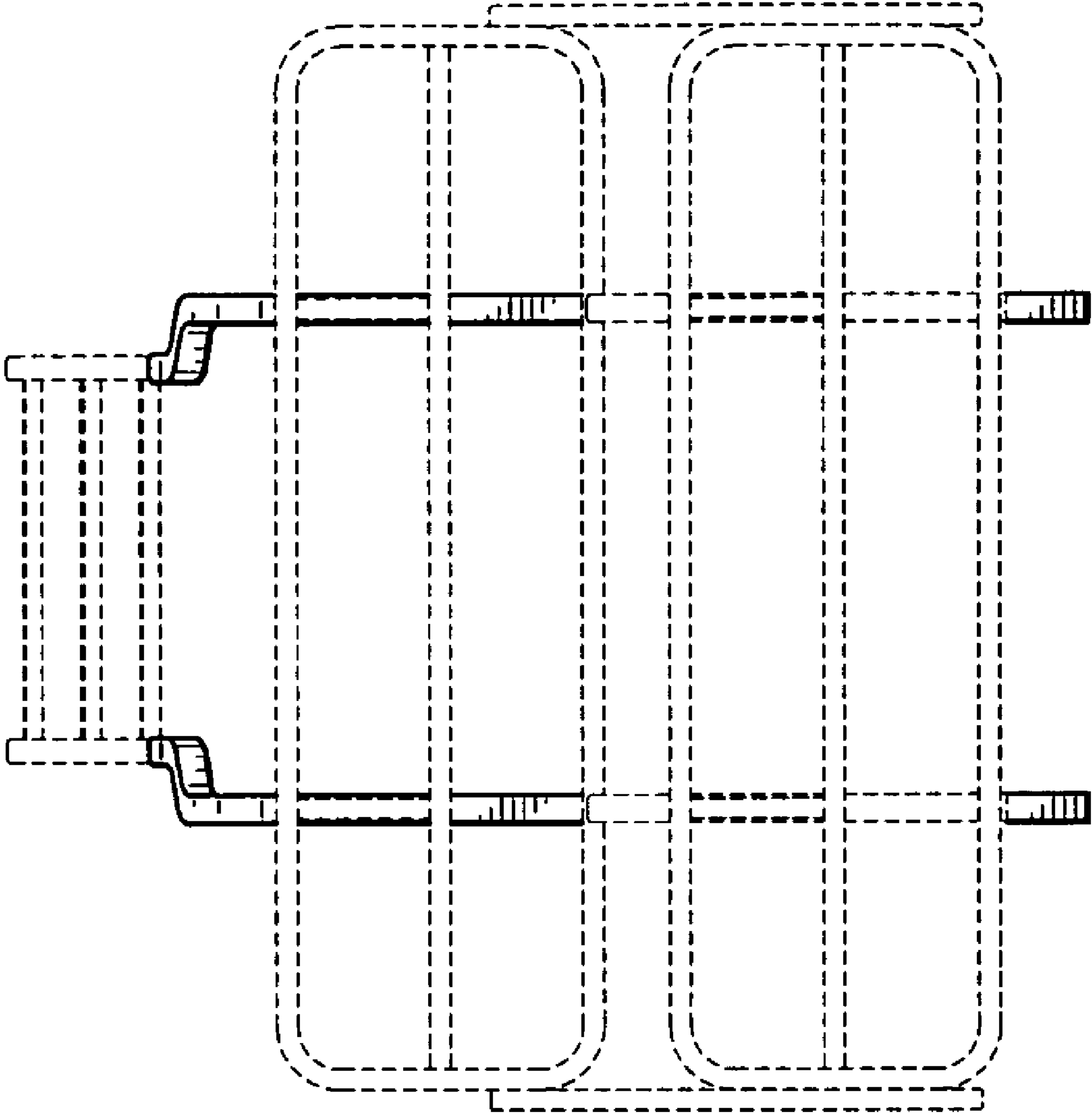


FIG. 5

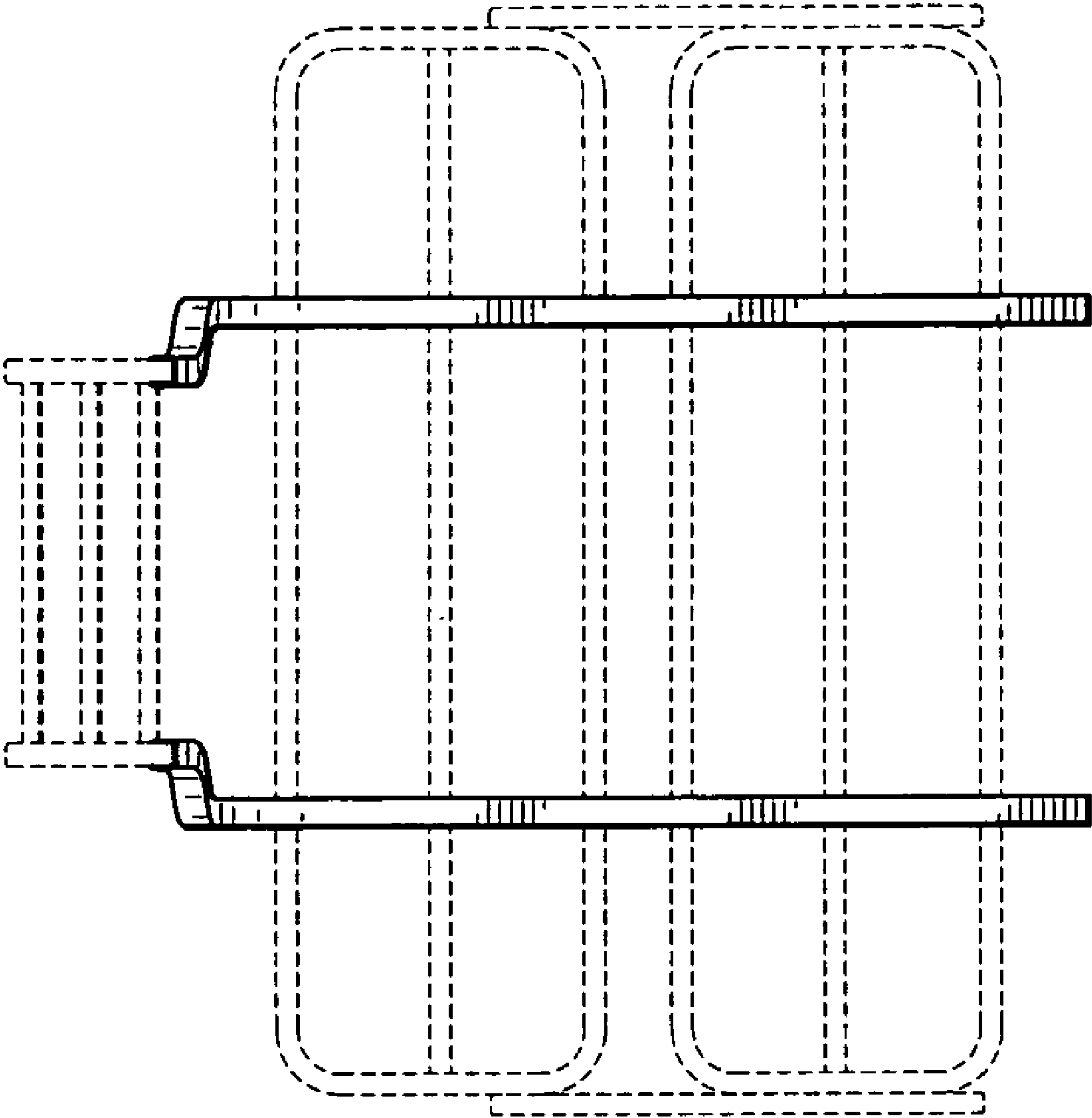


FIG. 6