



US00D613423S

(12) **United States Design Patent**
Koch

(10) **Patent No.:** **US D613,423 S**
(45) **Date of Patent:** **** Apr. 6, 2010**

(54) **LADDER SAFETY REST**

(76) Inventor: **Drake L. Koch**, 3309 Genessee St.,
Kansas City, MO (US) 64111-3758

(**) Term: **14 Years**

(21) Appl. No.: **29/315,928**

(22) Filed: **Aug. 6, 2009**

(30) **Foreign Application Priority Data**

Feb. 18, 2009 (AU) 324977

(51) **LOC (9) Cl.** **25-04**

(52) **U.S. Cl.** **D25/68**

(58) **Field of Classification Search** D25/68;
182/112, 114, 116, 119, 206, 120, 201, 129;
248/238, 236

See application file for complete search history.

(56) **References Cited**

U.S. PATENT DOCUMENTS

3,985,203	A *	10/1976	Erlenbach	182/120
D401,354	S *	11/1998	LaValle	D25/68
D425,211	S	5/2000	Schigulski		
6,352,135	B1 *	3/2002	Jones	182/129
6,722,469	B1 *	4/2004	Weger, Jr.	182/107
6,824,115	B1 *	11/2004	Batson	248/238
2009/0014240	A1	1/2009	Salisbury		

FOREIGN PATENT DOCUMENTS

AU 130886 S 11/1996

AU	138297	S	2/1999
AU	144468	S	7/2001
AU	145519	S	10/2001
AU	200100506	A4	11/2001
AU	2002249004	B2	11/2002
AU	152910	S	8/2003
AU	2004202057	A1	12/2004
AU	2004242514	A1	2/2005
AU	2003242448	A1	3/2005
AU	2005200346	A1	8/2005
AU	2005204235	A1	10/2006
AU	2008246277	A1	12/2008

* cited by examiner

Primary Examiner—Doris Clark

(74) *Attorney, Agent, or Firm*—Kenneth W. Iles

(57) **CLAIM**

The ornamental design for a ladder safety rest, as shown and described.

DESCRIPTION

FIG. 1 is a top isometric view of the ladder safety rest showing my new design;

FIG. 2 is a top view thereof;

FIG. 3 is a front view thereof;

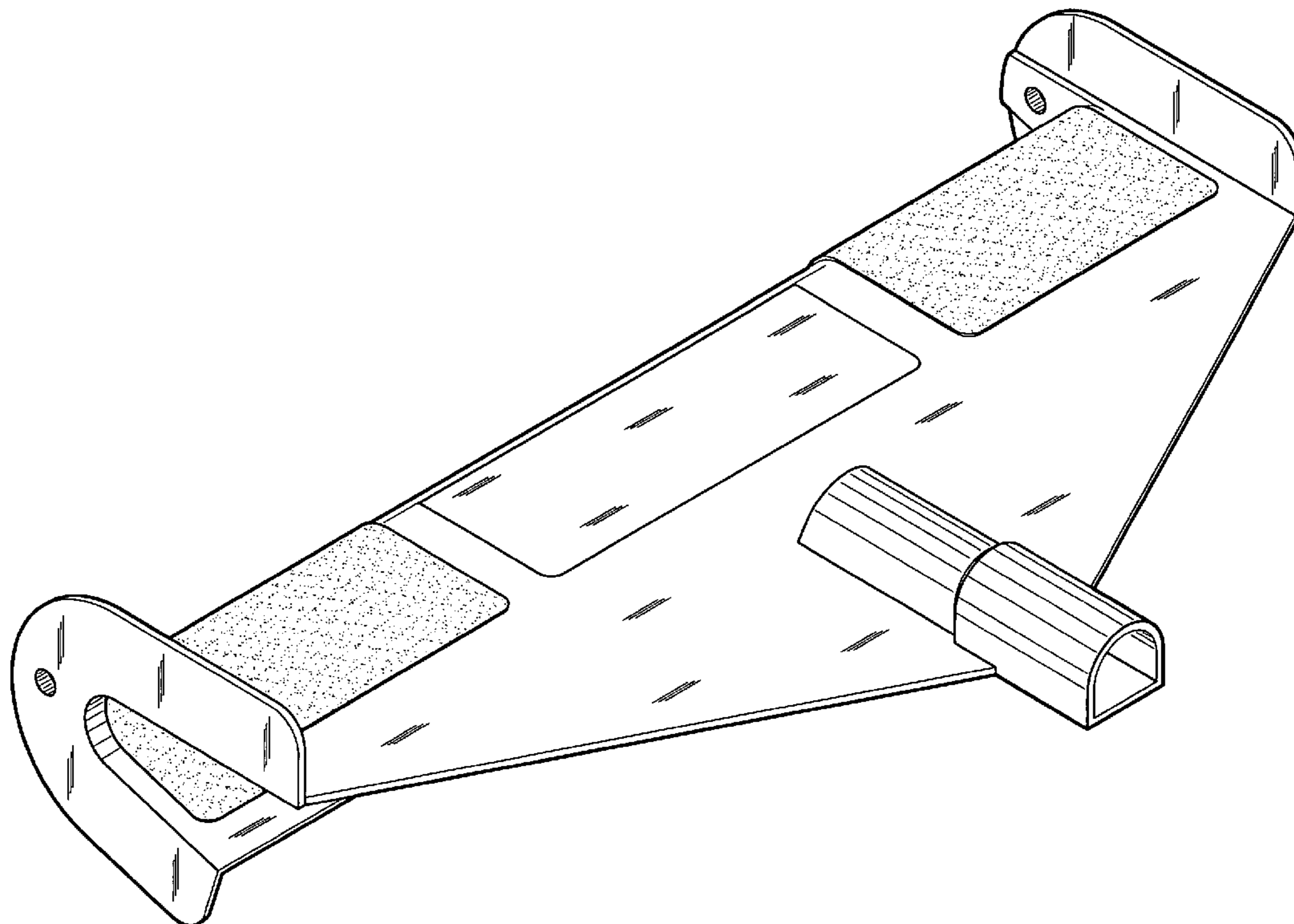
FIG. 4 is a rear view thereof;

FIG. 5 is a side view thereof;

FIG. 6 is a bottom view thereof; and,

FIG. 7 is a bottom isometric view thereof.

1 Claim, 6 Drawing Sheets



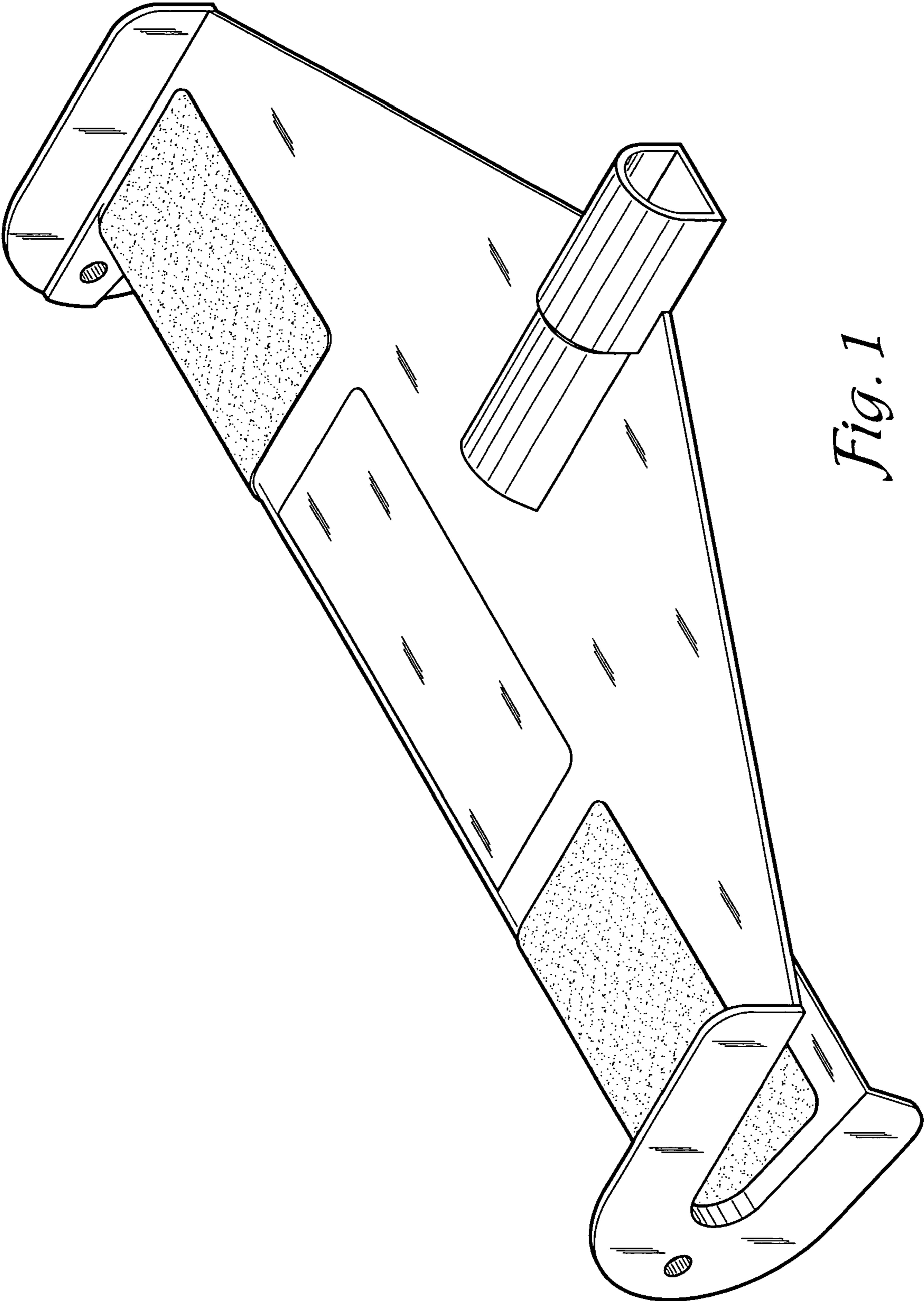


Fig. 1

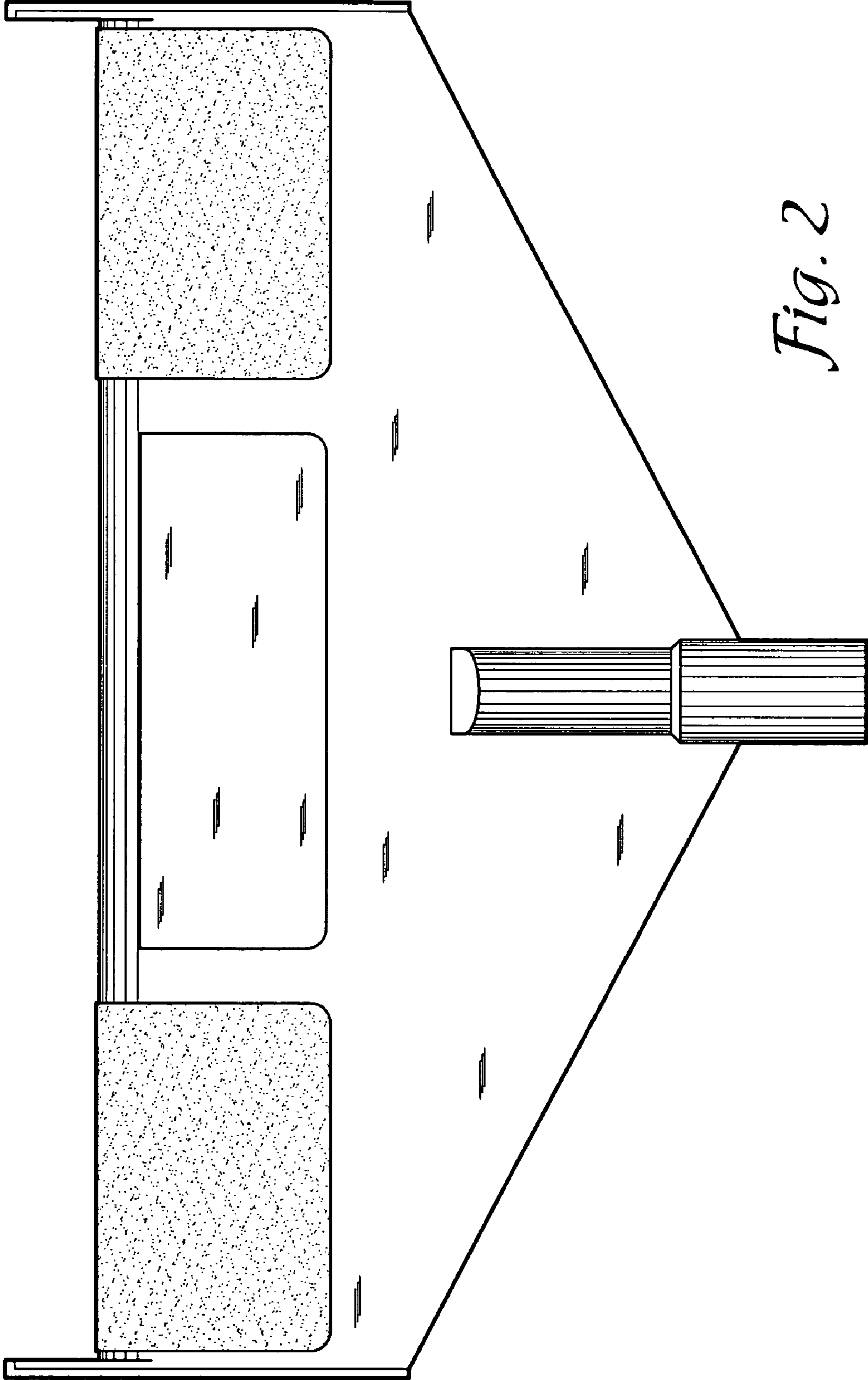


Fig. 2

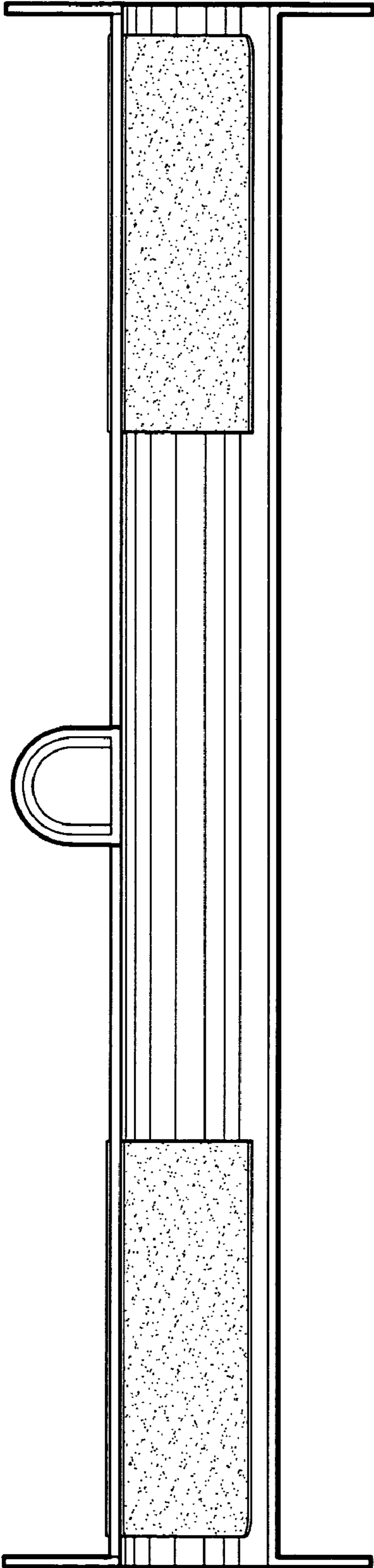


Fig. 3

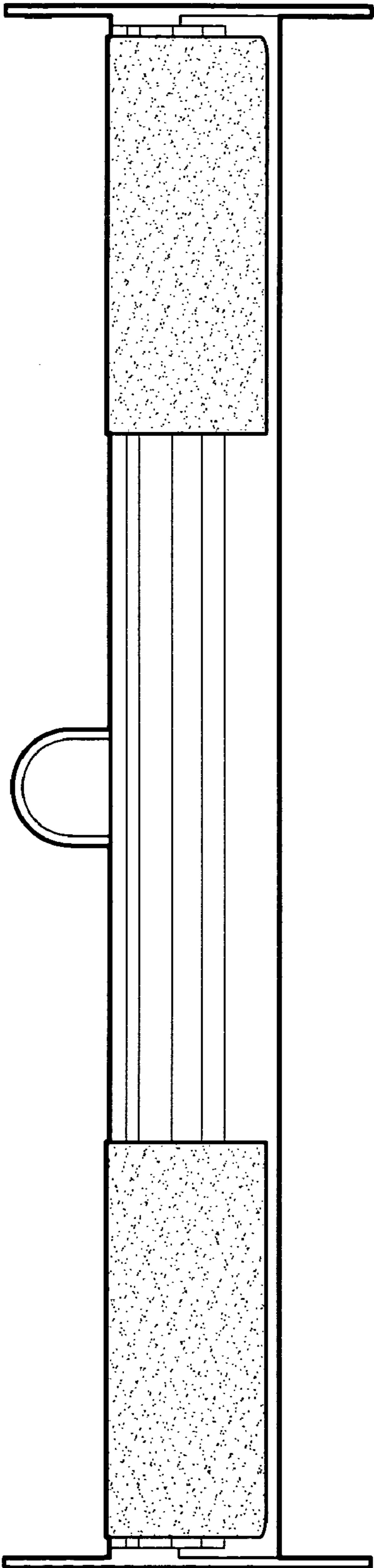


Fig. 4

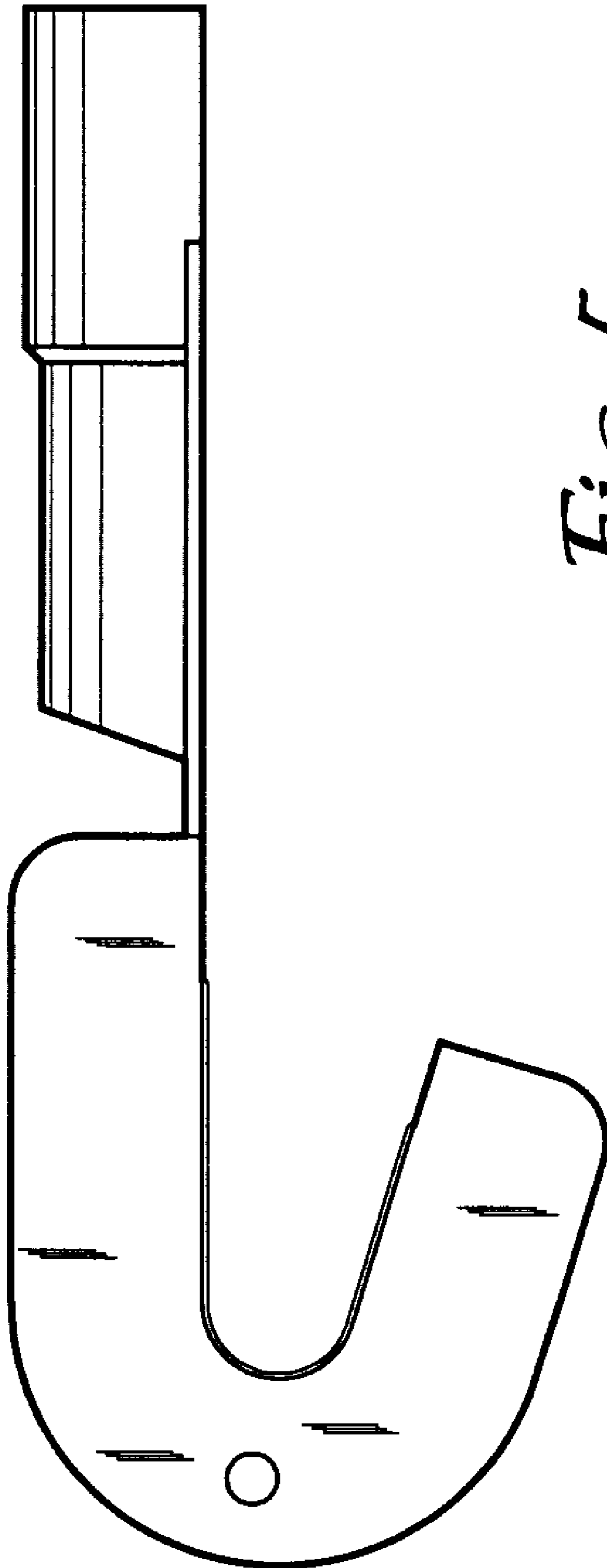


Fig. 5

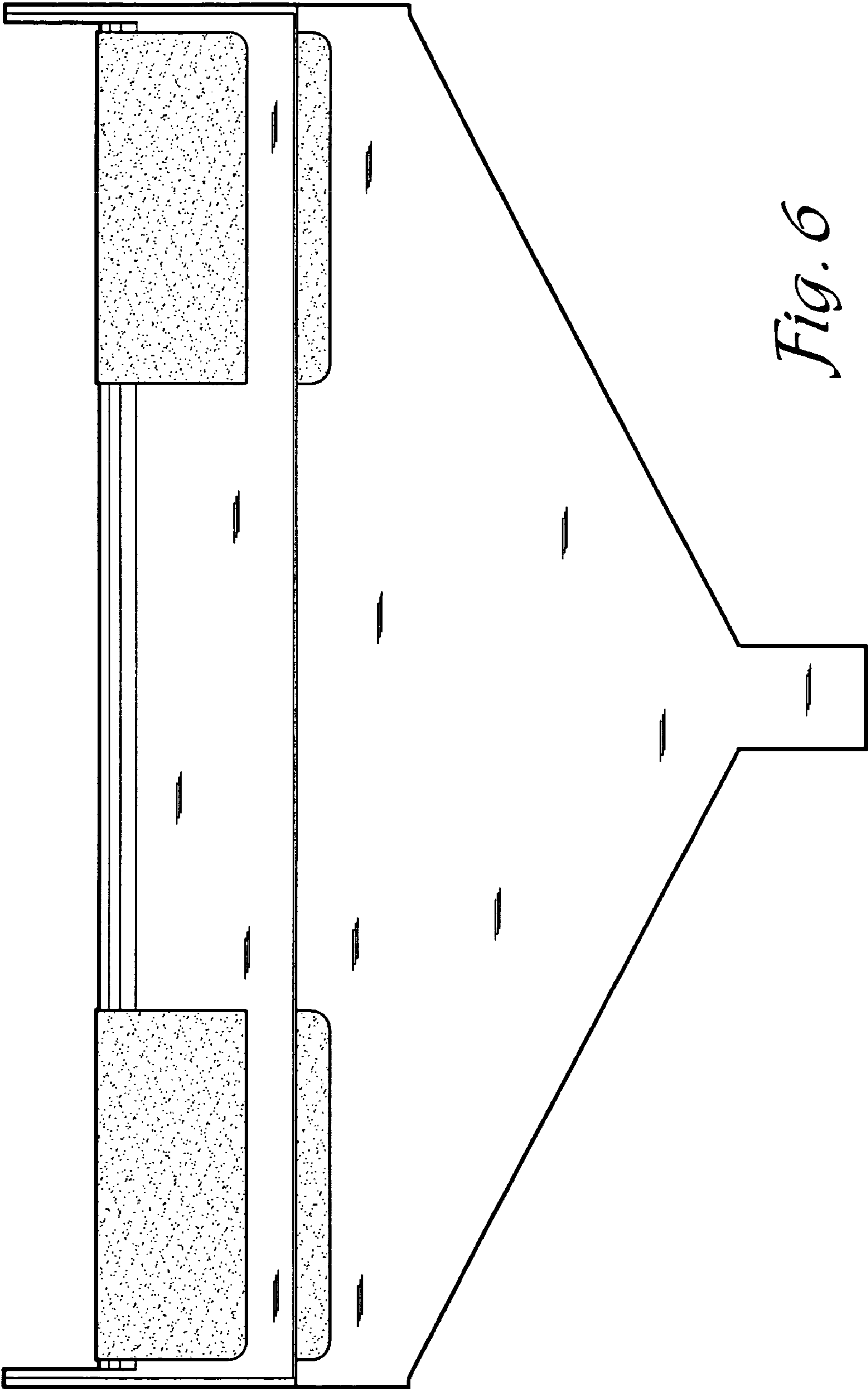


Fig. 6

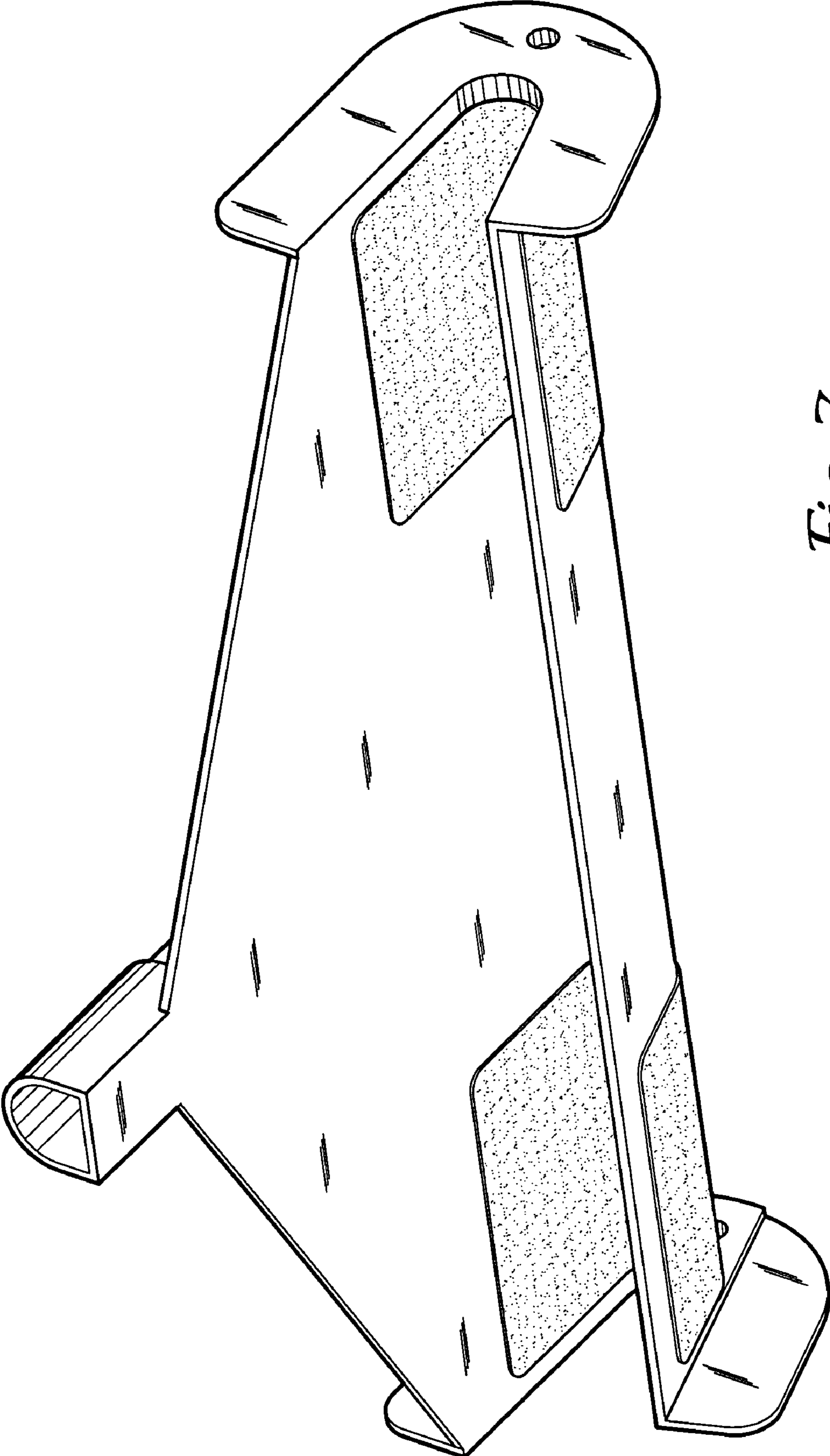


Fig. 7