



US00D613421S

(12) **United States Design Patent**
Wang

(10) **Patent No.:** **US D613,421 S**

(45) **Date of Patent:** **** Apr. 6, 2010**

(54) **TOP FRAME OF BARRIER**

(76) Inventor: **Tsung-Hsiang Wang**, 10F, No. 29-2,
Sec. 2, Zhongzheng E. Rd., Danshui
Chen, Taipei Hsien (TW)

(**) Term: **14 Years**

(21) Appl. No.: **29/342,946**

(22) Filed: **Sep. 3, 2009**

(51) **LOC (9) Cl.** **25-02**

(52) **U.S. Cl.** **D25/38**

(58) **Field of Classification Search** D25/38,
D25/41, 43, 44; 49/50, 57; 404/6; 256/DIG. 6,
256/13.1, 25, 26, 65.02, 65.15, 65.16, 59,
256/65.01, 19, 22

See application file for complete search history.

(56) **References Cited**

U.S. PATENT DOCUMENTS

D402,041 S *	12/1998	Hill	D25/60
6,516,568 B2 *	2/2003	Yang	49/463
D509,906 S *	9/2005	Enersen	D25/38
D548,363 S *	8/2007	Hein	D25/38
2005/0199868 A1 *	9/2005	Morris	256/73
2006/0207180 A1 *	9/2006	Cheng	49/57

* cited by examiner

Primary Examiner—Doris Clark

(74) *Attorney, Agent, or Firm*—patenttm.us

(57) **CLAIM**

The ornamental design for a top frame of barrier, as shown.

DESCRIPTION

FIG. 1 is a perspective view of a top frame of barrier showing my new design;

FIG. 2 is a front view thereof, which is the same as a rear view thereof;

FIG. 3 is a left view thereof, which is the same as a right view thereof;

FIG. 4 is a top view thereof;

FIG. 5 is a bottom view thereof;

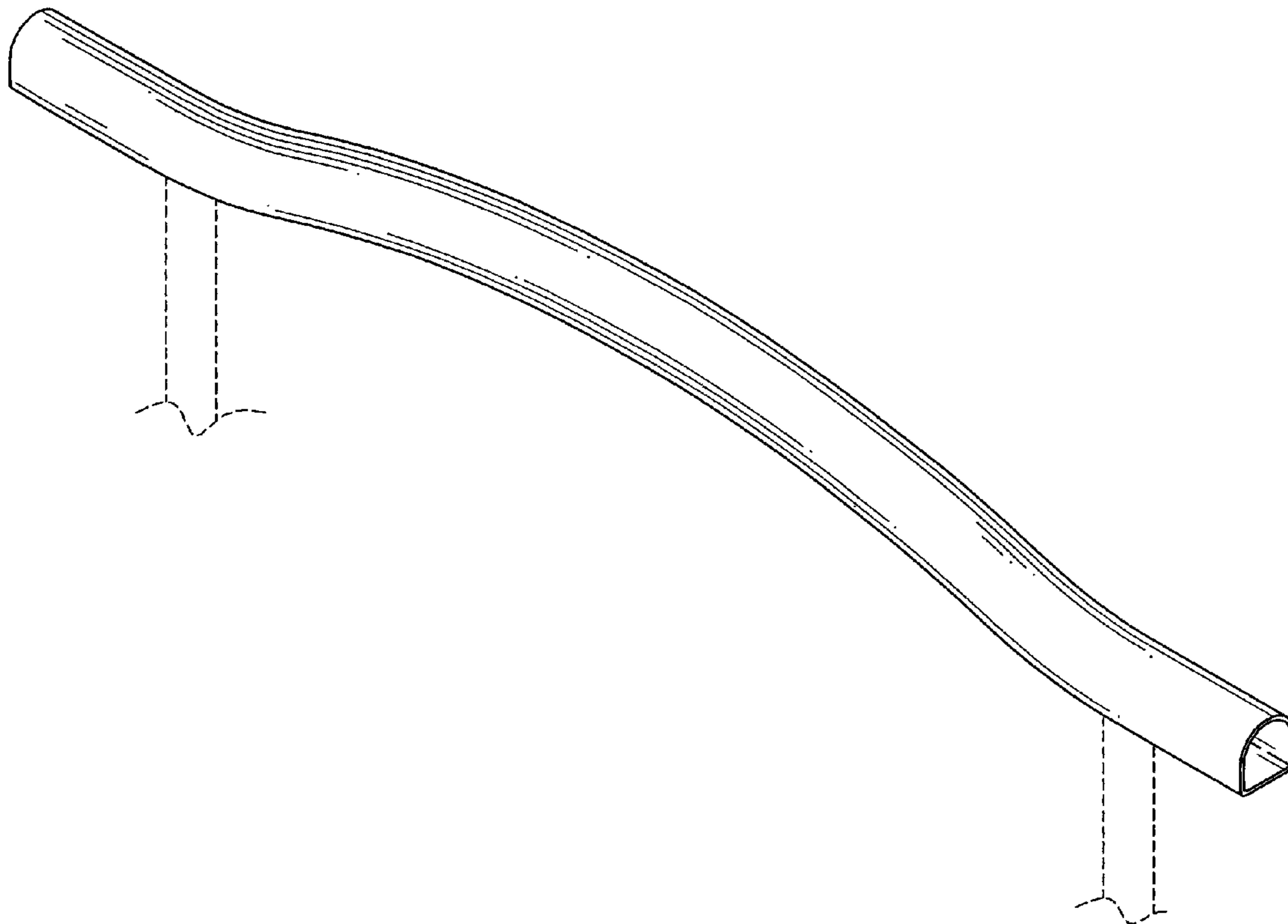
FIG. 6 is a two times enlarged perspective view thereof;

FIG. 7 is a two times enlarged front view thereof, which is the same as an enlarged rear view thereof; and,

FIG. 8 is a two times enlarged left view thereof, which is the same as an enlarged right view thereof.

The portions shown in broken lines are shown for illustrative purposes only and form no part of the claimed design

1 Claim, 6 Drawing Sheets



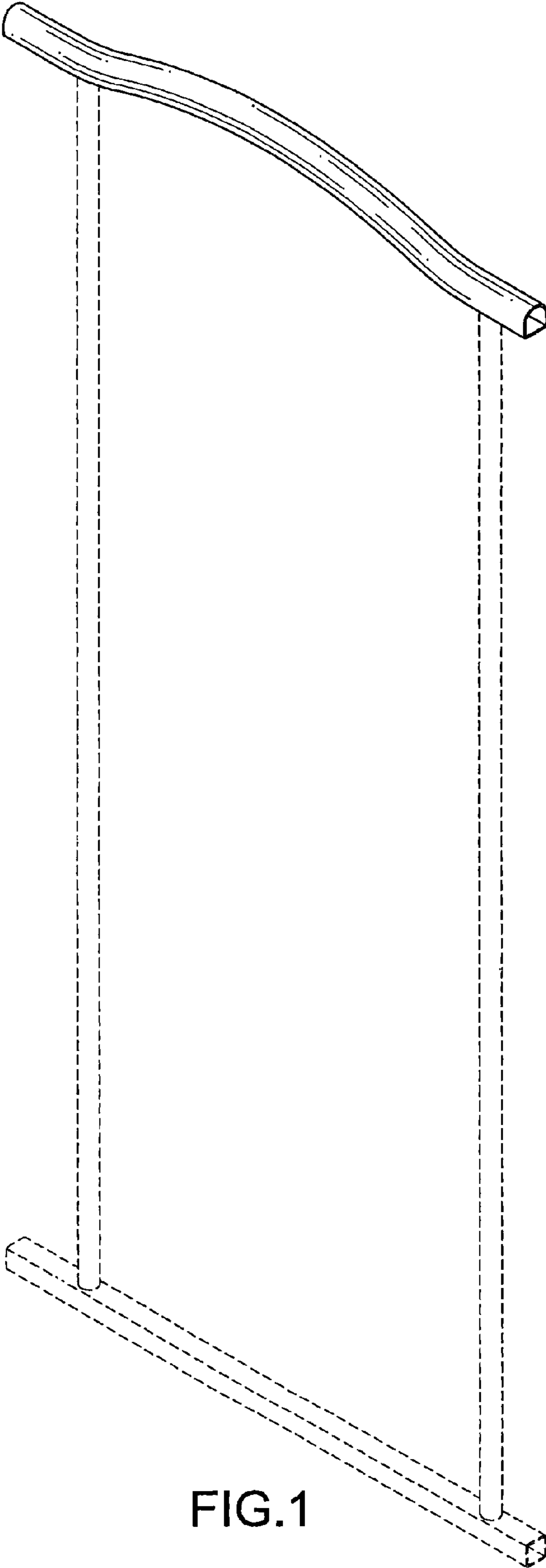


FIG.1

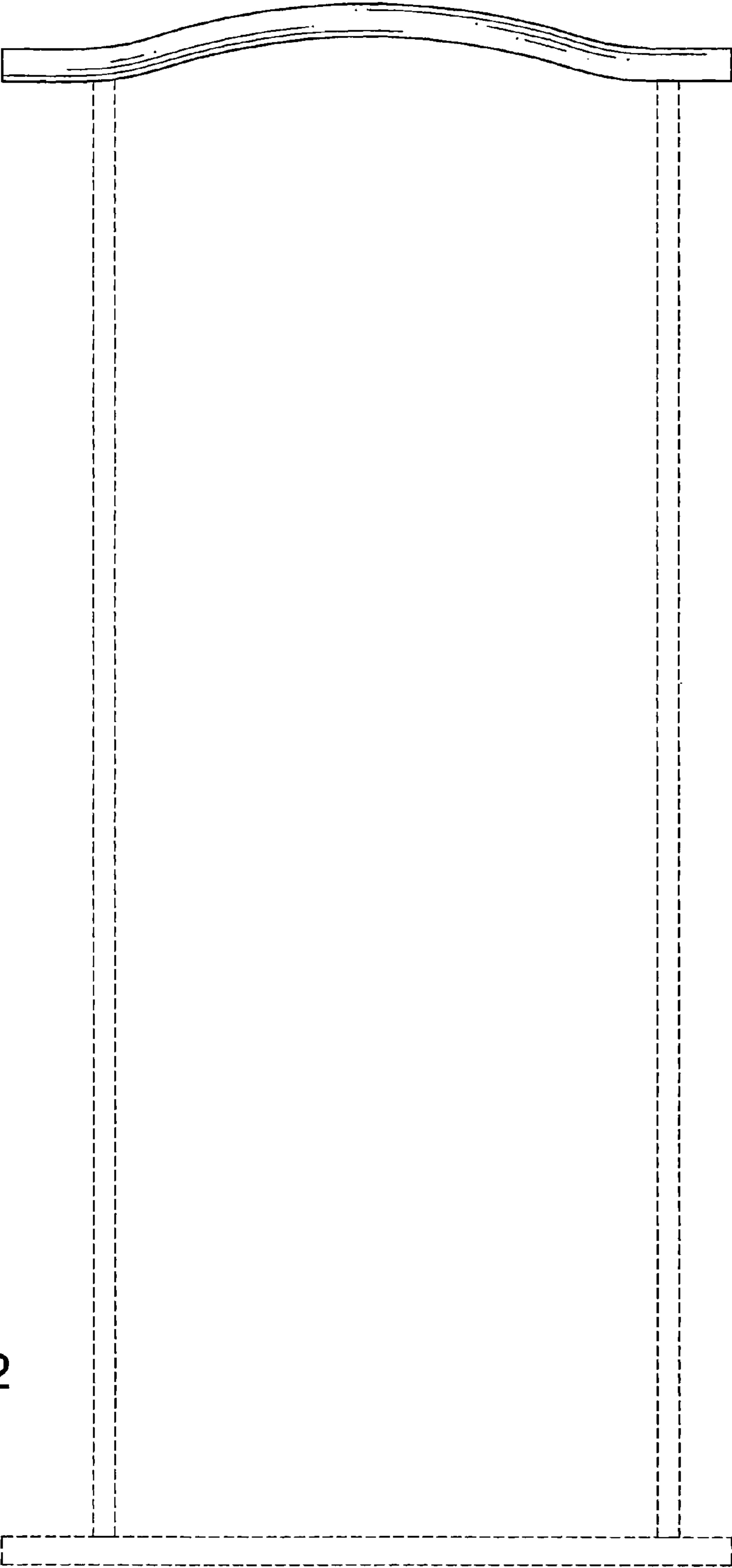


FIG.2

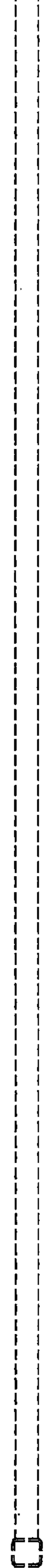


FIG.3

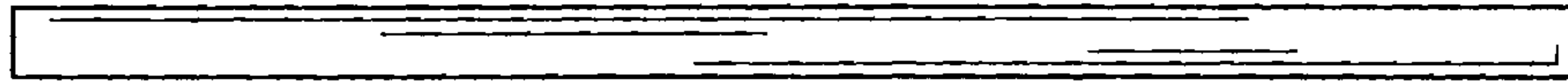


FIG. 4

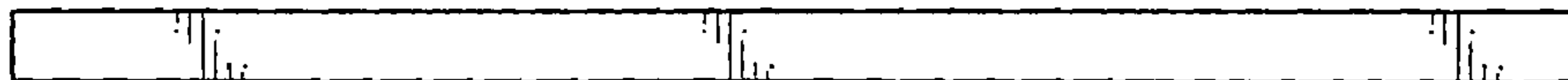


FIG. 5

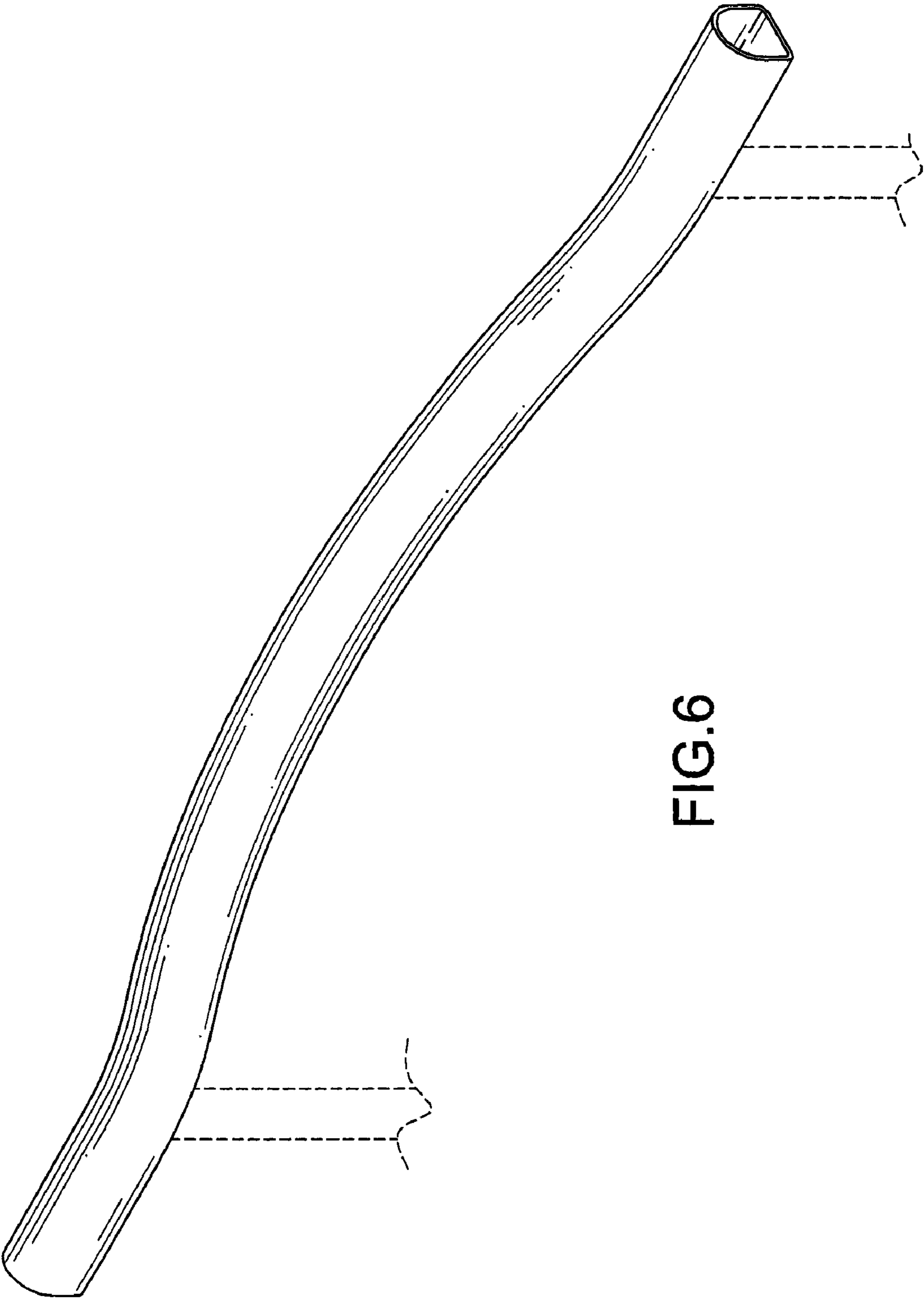


FIG.6

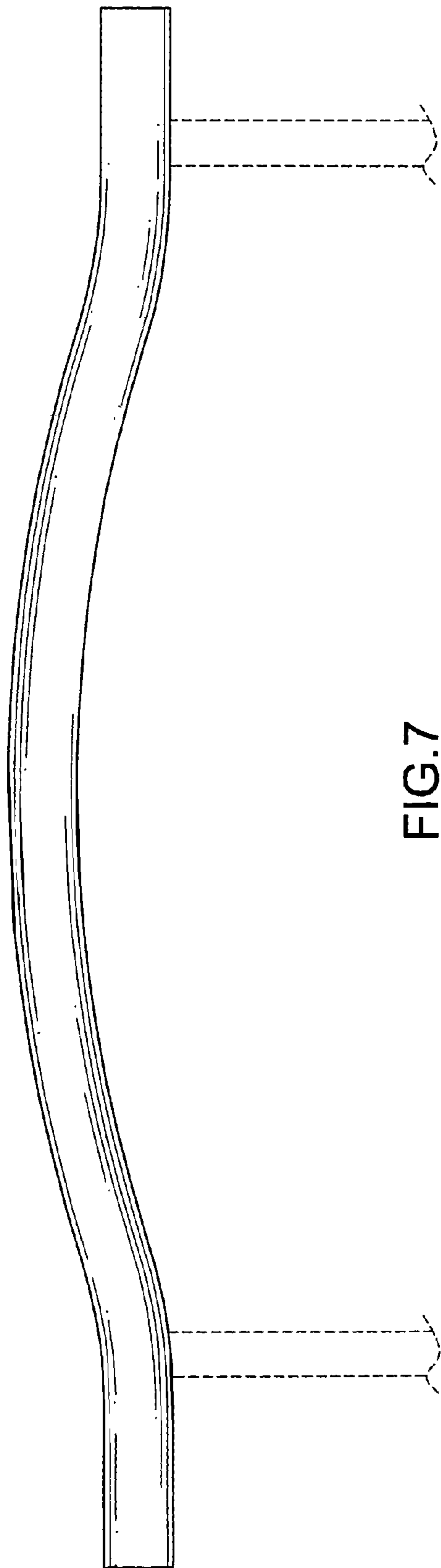


FIG. 7

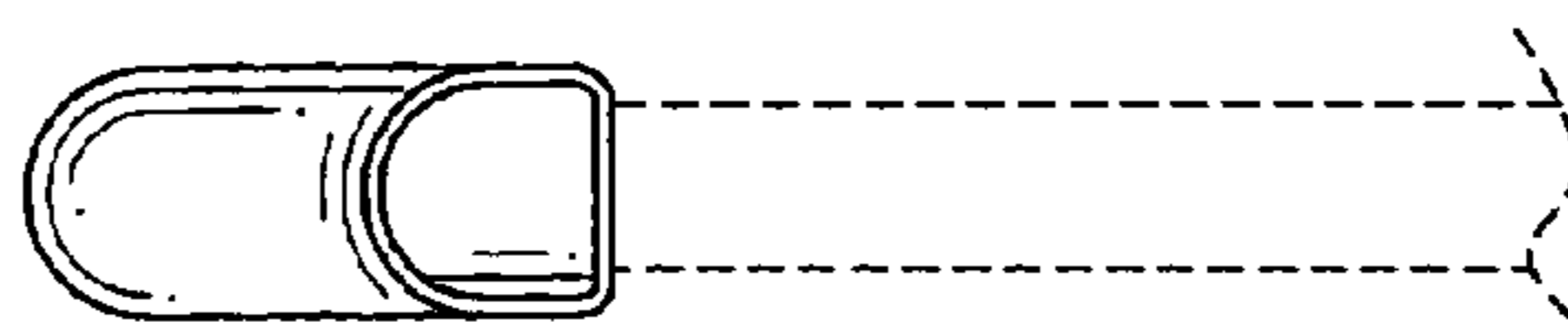


FIG. 8