



US00D613418S

(12) **United States Design Patent**
Ryan et al.

(10) **Patent No.:** **US D613,418 S**
(45) **Date of Patent:** **** Apr. 6, 2010**

(54) **TRAY ASSEMBLY**

(75) Inventors: **James P. Ryan**, Wilton, NH (US); **Jason Dillon**, Alstead, NH (US); **Mary Beth Blair Padgett**, Greensboro, NC (US)

(73) Assignee: **Smiths Medical ASD, Inc.**, Keene, NH (US)

(**) Term: **14 Years**

(21) Appl. No.: **29/309,322**

(22) Filed: **Jul. 23, 2008**

(51) **LOC (9) Cl.** **24-01**

(52) **U.S. Cl.** **D24/229**

(58) **Field of Classification Search** D24/223, D24/226-229; D9/414-415, 418, 423-429, D9/432, 435, 761; 220/4.21-4.22, 23.8, 220/23.87, 532-533, 835; 206/386, 425, 206/508, 511, 518-521, 541, 555, 558, 564; 422/102, 104

See application file for complete search history.

(56) **References Cited**

U.S. PATENT DOCUMENTS

D195,391 S * 6/1963 Parkenson D24/230
D195,392 S * 6/1963 Parkenson D24/230
D268,130 S * 3/1983 Easton D24/230
D275,886 S * 10/1984 Sheward et al. D24/227
D276,462 S * 11/1984 Villarreal D24/229

D337,830 S * 7/1993 Coyne et al. D24/227
D374,289 S * 10/1996 Wolff D24/229
D430,015 S * 8/2000 Himbert et al. D24/227
D587,110 S * 2/2009 Kronshage et al. D9/425

* cited by examiner

Primary Examiner—T. Chase Nelson

Assistant Examiner—Mark Cavanna

(74) *Attorney, Agent, or Firm*—Louis Woo

(57) **CLAIM**

The ornamental design for tray assembly, as shown and described.

DESCRIPTION

FIG. 1 is a perspective view of an outer or base tray of the present invention tray assembly;

FIG. 2 is a plan view of the FIG. 1 base tray;

FIG. 3 is a side view of the FIG. 1 base tray;

FIG. 4 is a bottom view of the FIG. 1 base tray;

FIG. 5 is a side end view of the FIG. 1 base tray;

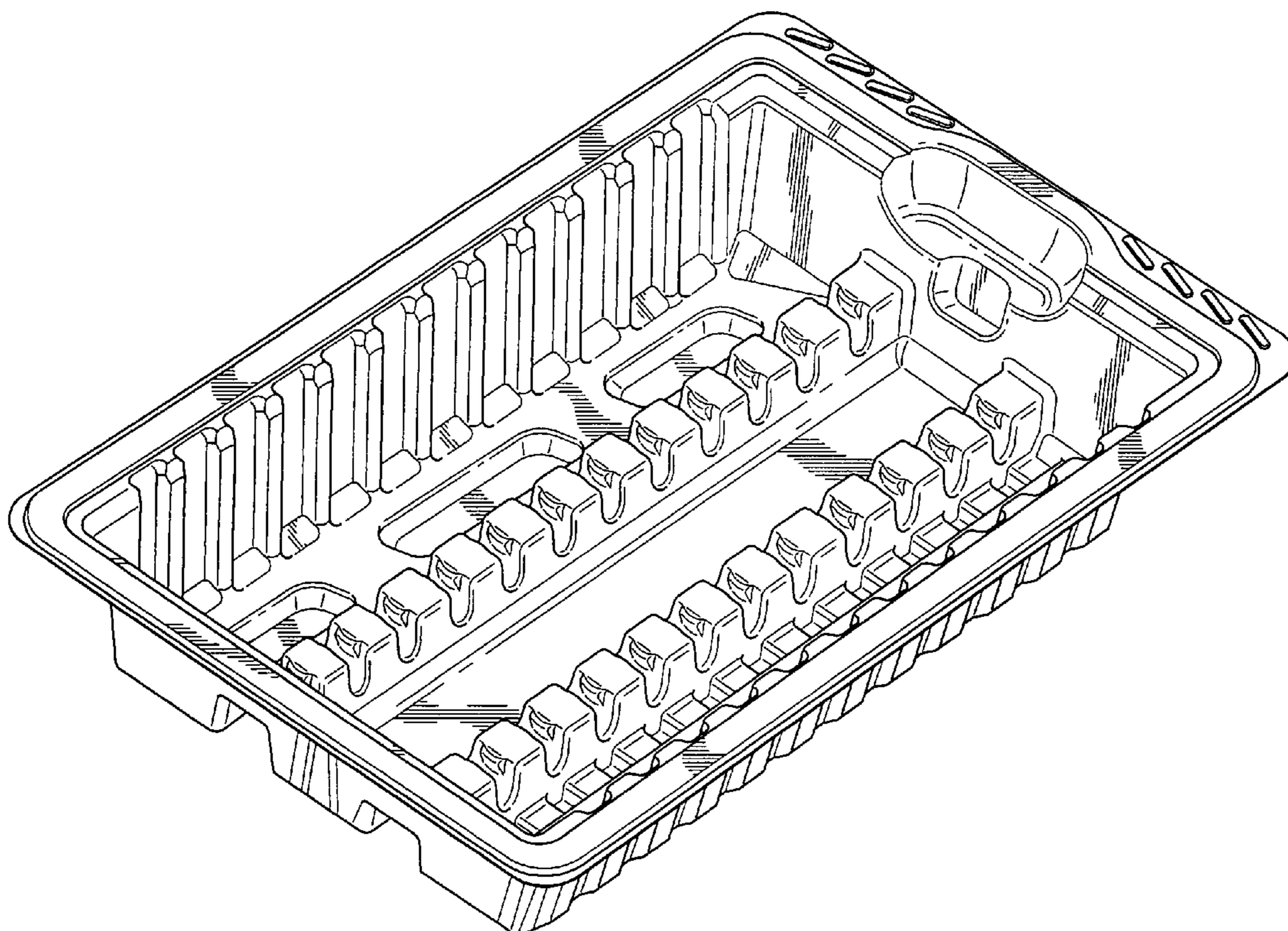
FIG. 6 is a perspective view of an inner or insert tray of the present invention tray assembly;

FIG. 7 is a plan view of the insert tray of FIG. 6;

FIG. 8 is a side view of the FIG. 7 insert tray; and,

FIG. 9 is a side end view of the FIG. 6 insert tray.

1 Claim, 6 Drawing Sheets



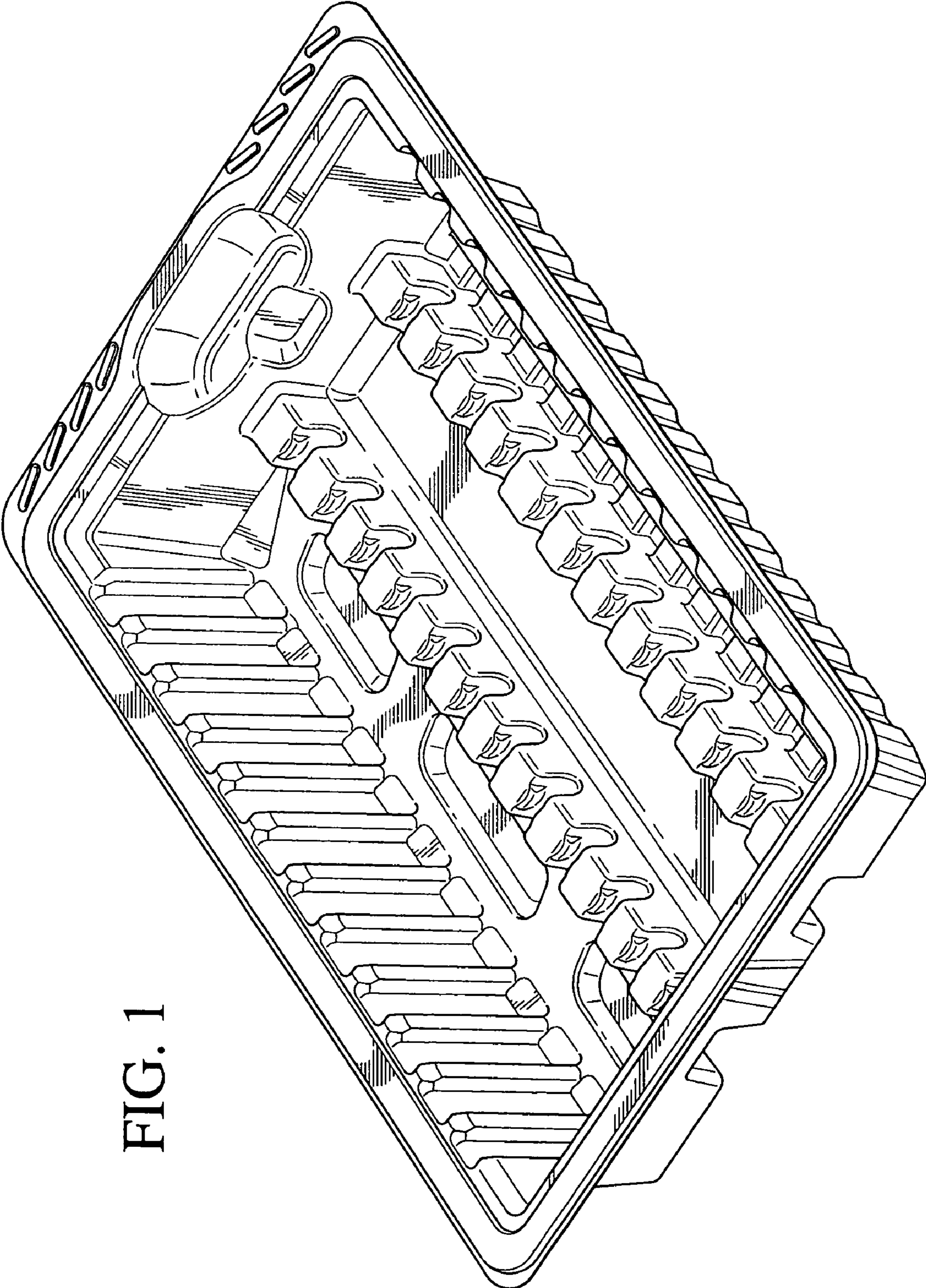


FIG. 1

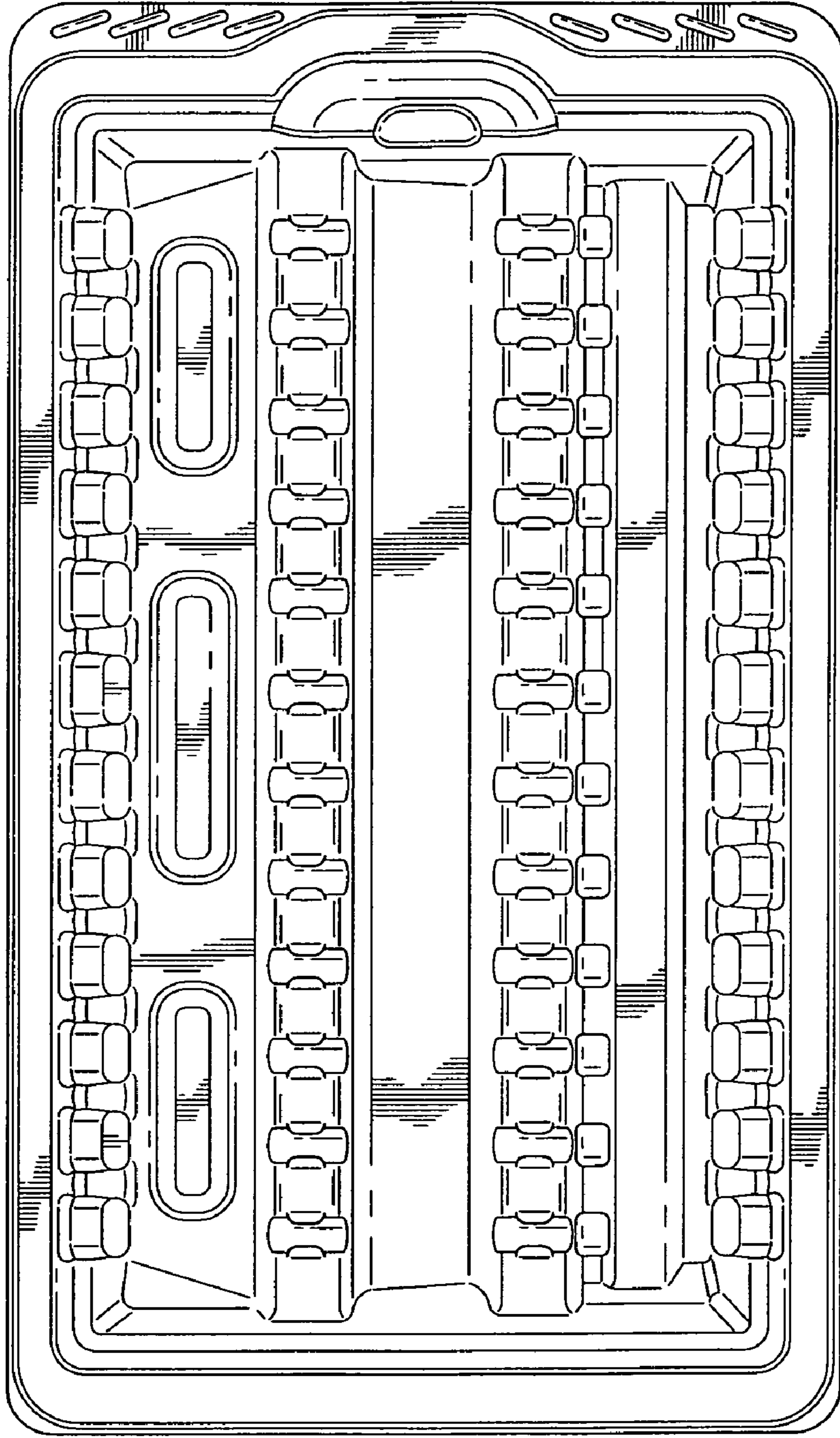


FIG. 2

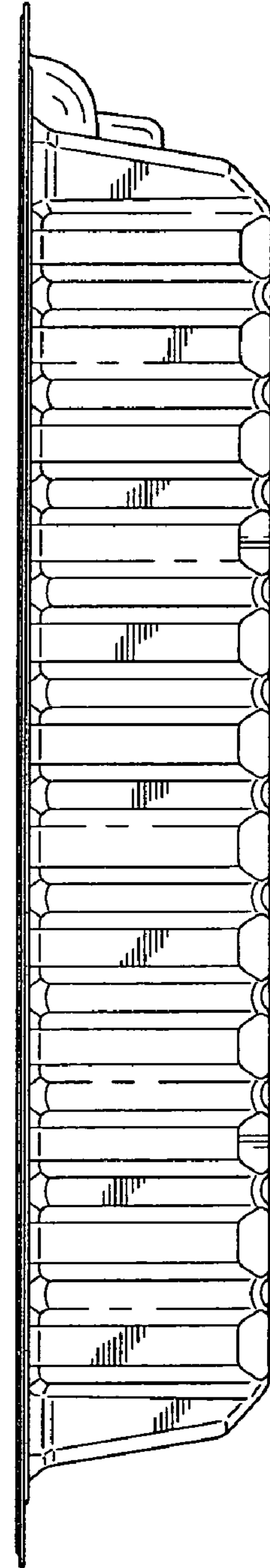


FIG. 3

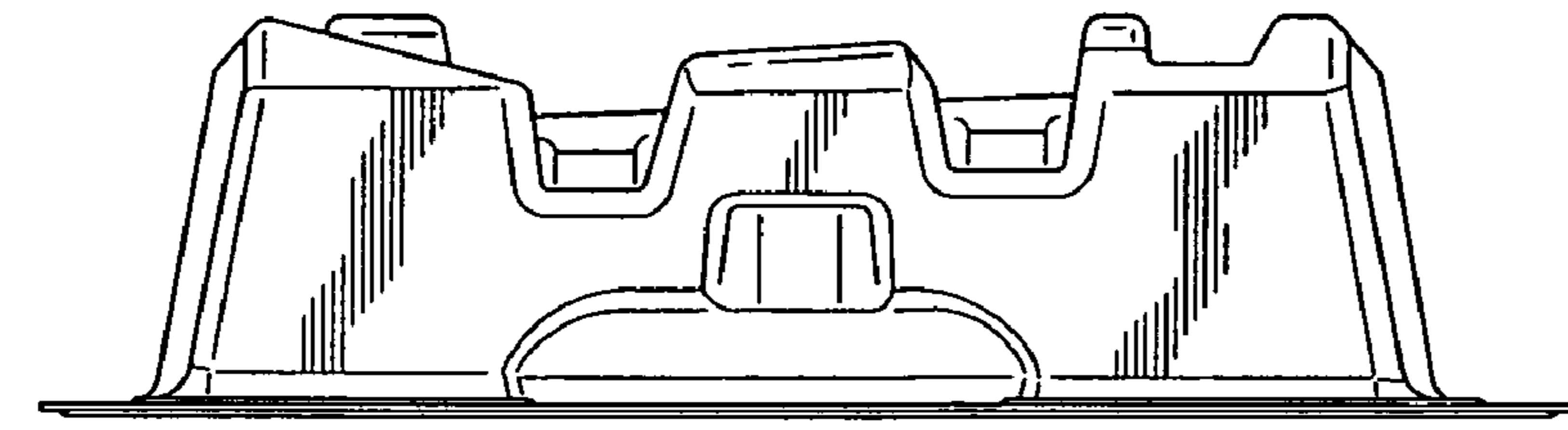


FIG. 5

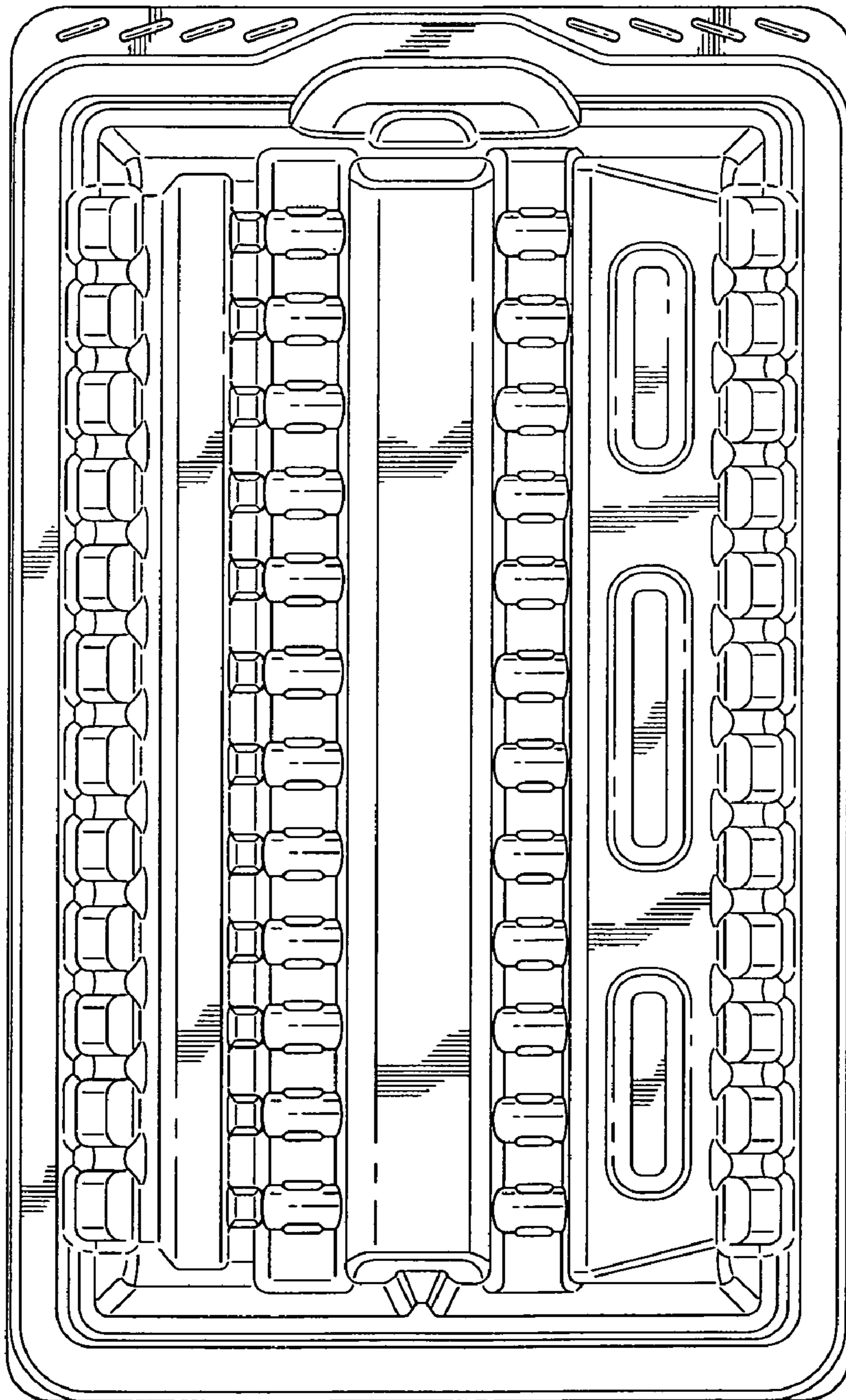


FIG. 4

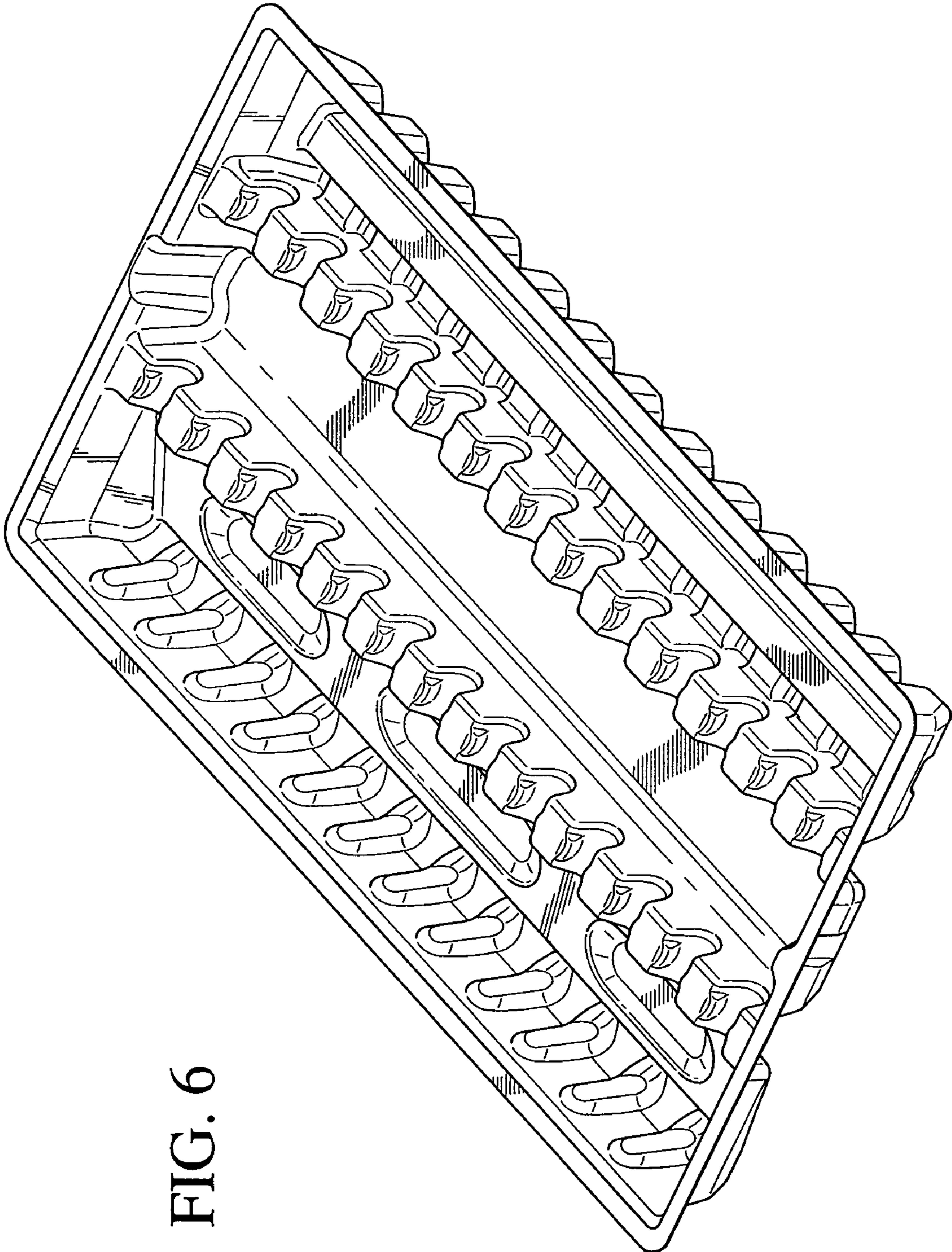


FIG. 6

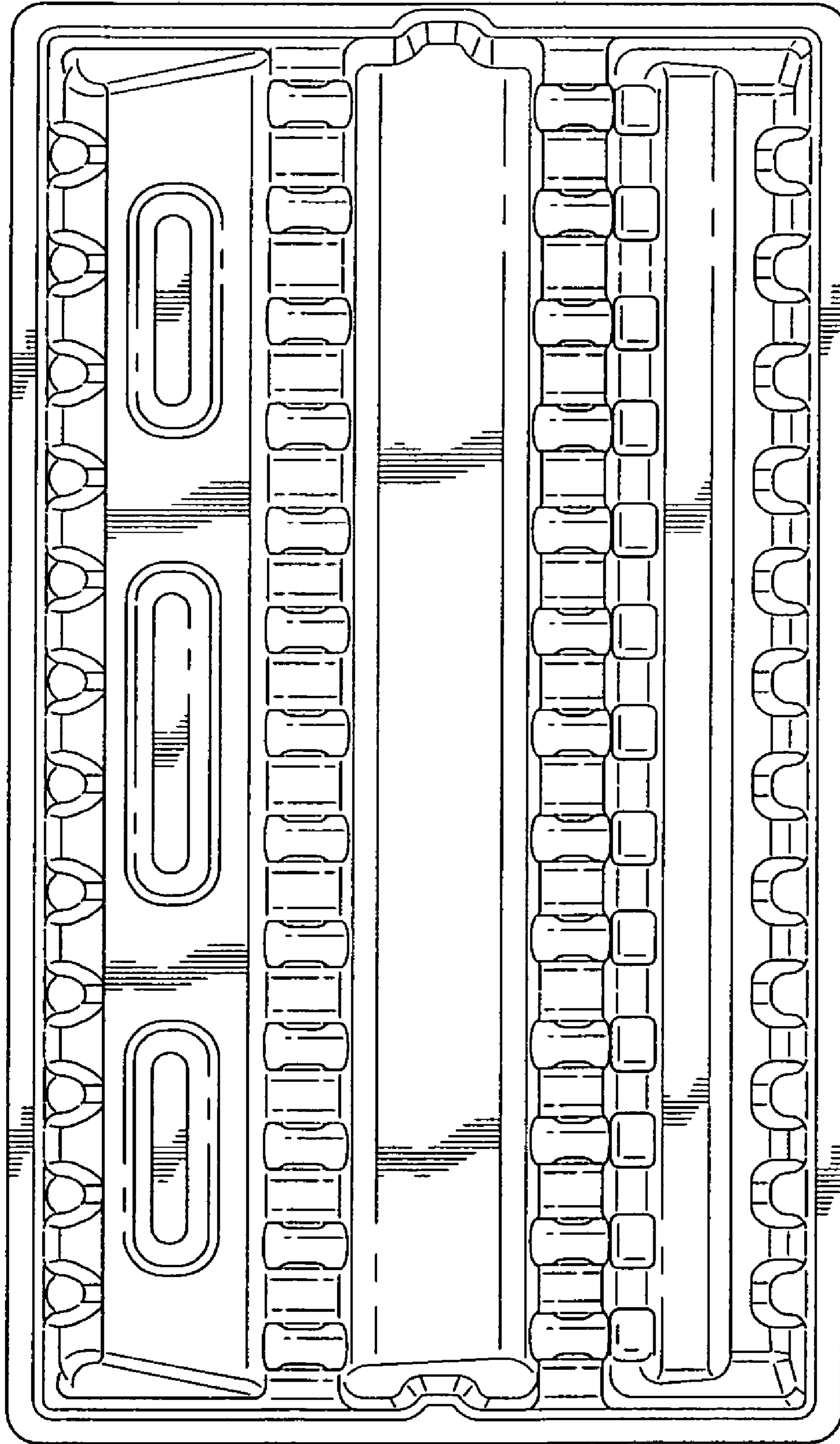


FIG. 7

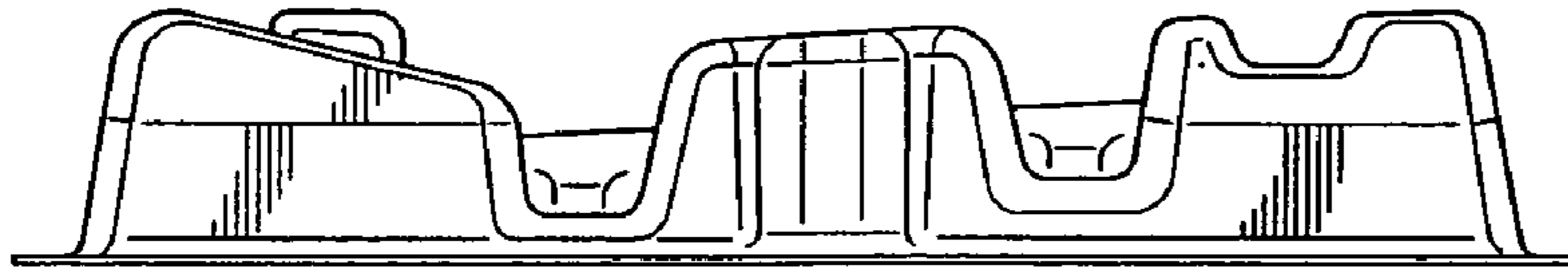


FIG. 9

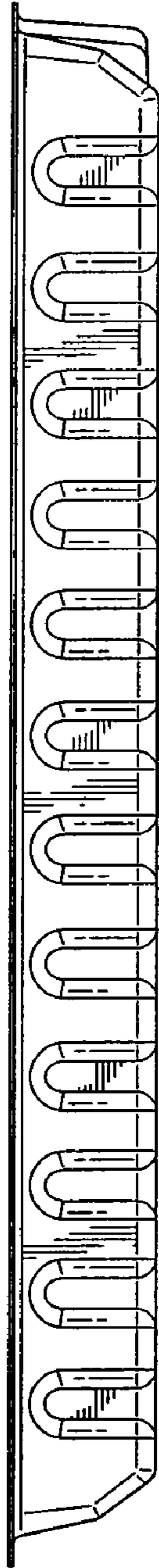


FIG. 8