



US00D613412S

(12) **United States Design Patent**
DeCarlo

(10) **Patent No.:** **US D613,412 S**
(45) **Date of Patent:** **** Apr. 6, 2010**

(54) **VENTED MICROWAVE SPACER**

7,282,049 B2 10/2007 Orszulak et al.
D576,932 S * 9/2008 Strehler D12/180

(75) Inventor: **Arnold V. DeCarlo**, Frederick, CO (US)

(Continued)

(73) Assignee: **Vivant Medical, Inc.**, Boulder, CO (US)

FOREIGN PATENT DOCUMENTS

(**) Term: **14 Years**

DE 390937 3/1924

(Continued)

(21) Appl. No.: **29/341,481**

OTHER PUBLICATIONS

(22) Filed: **Aug. 6, 2009**

U.S. Appl. No. 08/483,742, filed Jun. 7, 1995.

(Continued)

(51) **LOC (9) Cl.** **24-01**

(52) **U.S. Cl.** **D24/186; D24/170**

(58) **Field of Classification Search** D7/323,
D7/352, 354-361, 213, 387-388, 391-392.1,
D7/402, 409, 500, 550.1, 553.1, 553.2, 541;
D8/354; D12/180; D14/261, 484; D24/107,
D24/158, 164, 165, 167, 170, 186-187, 231;
600/300, 301, 368, 372, 481, 529, 544, 554,
600/561; 422/1, 61, 68.1, 99-104, 129

Primary Examiner—T. Chase Nelson

Assistant Examiner—Mark Cavanna

See application file for complete search history.

(57) **CLAIM**

The ornamental design for a vented microwave spacer, as shown and described.

(56) **References Cited**

DESCRIPTION

U.S. PATENT DOCUMENTS

D223,367 S *	4/1972	Kountz	D14/484
D266,842 S *	11/1982	Villers et al.	D14/261
D278,306 S *	4/1985	McIntosh	D7/409
D354,218 S *	1/1995	Van de Peer	D8/354
5,623,931 A *	4/1997	Wung et al.	600/461
5,626,607 A	5/1997	Malecki et al.		
5,924,992 A *	7/1999	Park et al.	600/461
D424,693 S *	5/2000	Pruter	D24/130
6,241,725 B1	6/2001	Cosman		
6,267,770 B1	7/2001	Truwit		
6,355,033 B1	3/2002	Moorman et al.		
6,564,806 B1	5/2003	Fogarty et al.		
6,652,520 B2	11/2003	Moorman et al.		
D487,039 S *	2/2004	Webster et al.	D12/180
7,197,363 B2	3/2007	Prakash et al.		
7,226,446 B1	6/2007	Mody et al.		
7,278,991 B2	10/2007	Morris et al.		

FIG. 1 is a top, perspective view of a vented microwave spacer in accordance with an embodiment of the present design;

FIG. 2 is a top, plan view of the vented microwave spacer of FIG. 1;

FIG. 3 is a bottom, plan view of the vented microwave spacer of FIG. 1;

FIG. 4 is a front view of the vented microwave spacer of FIG. 1;

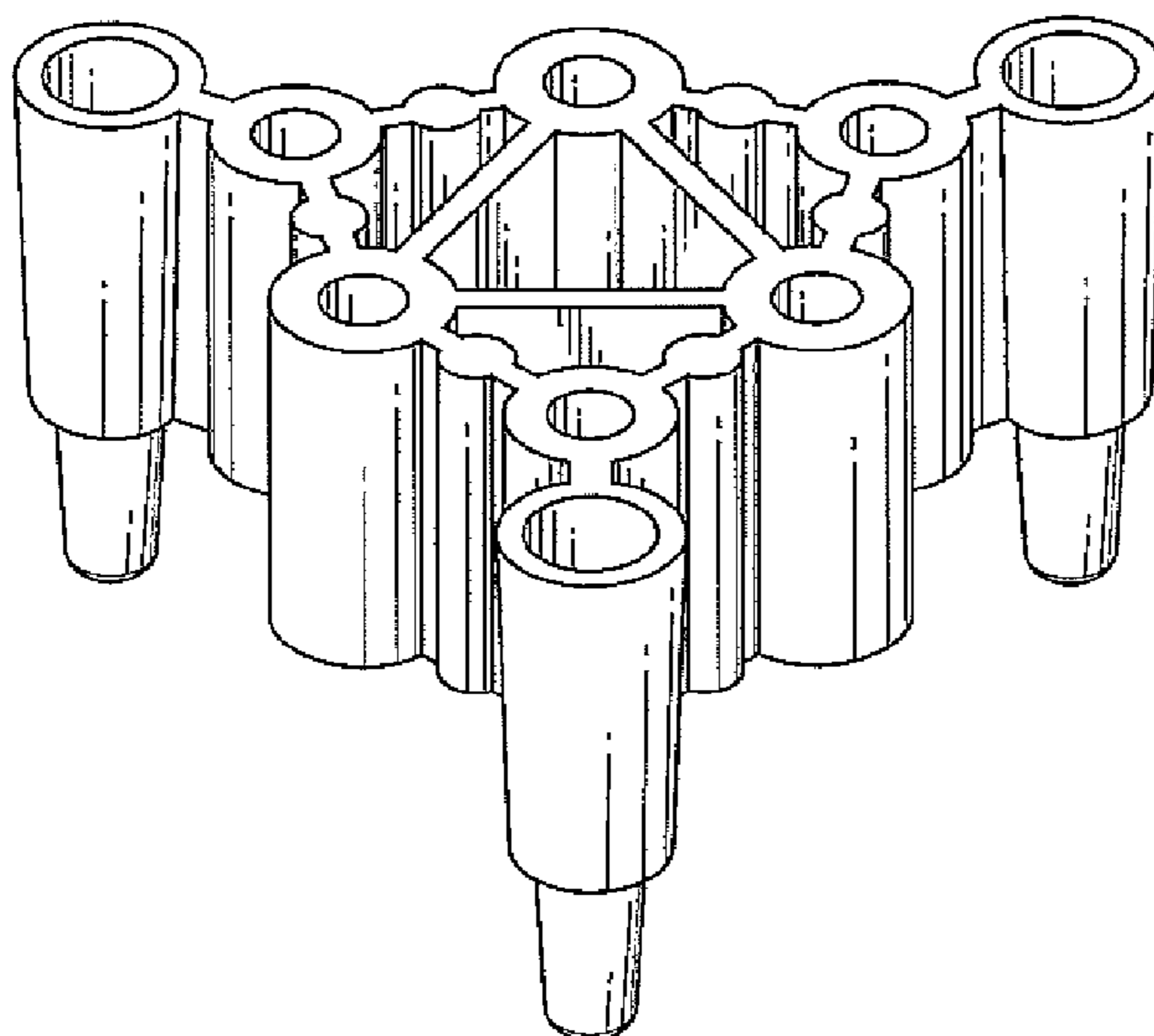
FIG. 5 is a back view of the vented microwave spacer of FIG. 1;

FIG. 6 is a right, side view of the vented microwave spacer of FIG. 1;

FIG. 7 is a left, side view of the vented microwave spacer of FIG. 1; and,

FIG. 8 is a bottom, perspective view of the vented microwave spacer of FIG. 1.

1 Claim, 5 Drawing Sheets



US D613,412 S

Page 2

U.S. PATENT DOCUMENTS

7,422,586	B2	9/2008	Morris et al.
7,452,331	B1 *	11/2008	Pruter 600/461
D594,736	S *	6/2009	Esjunin D8/354
D594,737	S *	6/2009	Kelly et al. D8/354
2002/0120261	A1	8/2002	Morris et al.
2004/0039429	A1	2/2004	Daniel et al.
2004/0267256	A1	12/2004	Garabedian et al.
2005/0137662	A1	6/2005	Morris et al.
2006/0079887	A1	4/2006	Buysse et al.
2006/0122581	A1	6/2006	Ein-Gal
2006/0142757	A1	6/2006	Daniel et al.
2007/0203480	A1	8/2007	Mody et al.
2008/0021448	A1	1/2008	Orszulak et al.
2009/0171203	A1	7/2009	Avital et al.

FOREIGN PATENT DOCUMENTS

DE	1099658	2/1961
DE	1139927	11/1962
DE	1149832	6/1963
DE	1439302	1/1969
DE	2439587	2/1975
DE	2455174	5/1975
DE	2407559	8/1975
DE	2415263	10/1975
DE	2429021	1/1976
DE	2460481	6/1976
DE	2602517	7/1976
DE	2504280	8/1976
DE	2627679	1/1977
DE	2540968	3/1977
DE	2820908	11/1978
DE	2803275	8/1979
DE	2823291	11/1979
DE	2946728	5/1981
DE	3143421	5/1982
DE	3045996	7/1982
DE	3120102	12/1982
DE	3510586	10/1986
DE	3604823	8/1987
DE	8712328	3/1988
DE	3711511	6/1988
DE	3904558	8/1990
DE	3942998	7/1991
DE	4238263	5/1993
DE	4303882	8/1994
DE	4339049	5/1995
DE	29616210	1/1997
DE	19608716	4/1997
DE	19751106	5/1998
DE	19717411	11/1998
DE	19751108	5/1999
DE	19801173	7/1999
DE	19848540	5/2000
DE	10224154	12/2003
DE	10328514	3/2005
DE	102004022206	12/2005
DE	202005015147	3/2006
EP	0 246 350	11/1987
EP	0 481 685	4/1992
EP	0 521 264	1/1993
EP	0 541 930	5/1993
EP	0 556 705	8/1993
EP	0 558 429	9/1993
EP	0 572 131	12/1993
EP	0 836 868	4/1998
EP	1 070 518	1/2001
EP	1 159 926	5/2001
EP	1 186 274	3/2002
EP	1 645 234	4/2006
EP	1 645 235	4/2006

FR	179607	11/1906
FR	1 275 415	9/1960
FR	1 347 865	11/1963
FR	2 276 027	6/1974
FR	2 235 669	1/1975
FR	2 313 708	12/1976
FR	2 502 935	10/1982
FR	2 517 953	6/1983
FR	2 573 301	11/1984
FR	2 862 813	5/2005
FR	2 864 439	7/2005
JP	5-5106	1/1993
JP	05-40112	2/1993
JP	06343644	12/1994
JP	07265328	10/1995
JP	08056955	3/1996
JP	08252263	10/1996
JP	09010223	1/1997
JP	11244298	9/1999
JP	2000342599	12/2000
JP	2000350732	12/2000
JP	2001008944	1/2001
JP	2001029356	2/2001
JP	2001128990	5/2001
SU	166452	11/1964
SU	401367	11/1974
SU	727201	4/1980
WO	WO 99/4710	2/1999
WO	WO2005/009528	2/2005

OTHER PUBLICATIONS

U.S. Appl. No. 08/136,098, filed Oct. 14, 1993.
 U.S. Appl. No. 09/195,118, filed Nov. 18, 1998.
 U.S. Appl. No. 10/244,346, filed Sep. 16, 2002.
 U.S. Appl. No. 11/053,987, filed Feb. 8, 2005.
 U.S. Appl. No. 12/023,606, filed Jan. 31, 2008.
 U.S. Appl. No. 12/129,482, filed May 29, 2008.
 U.S. Appl. No. 12/135,425, filed Jun. 9, 2008.
 U.S. Appl. No. 12/135,690, filed Jun. 9, 2008.
 U.S. Appl. No. 12/147,093, filed Jun. 26, 2008.
 U.S. Appl. No. 12/181,504, filed Jul. 29, 2008.
 U.S. Appl. No. 12/184,556, filed Aug. 1, 2008.
 U.S. Appl. No. 12/194,254, filed Aug. 19, 2008.
 U.S. Appl. No. 12/197,601, filed Aug. 25, 2008.
 U.S. Appl. No. 12/197,405, filed Aug. 25, 2008.
 U.S. Appl. No. 12/197,473, filed Aug. 25, 2008.
 U.S. Appl. No. 12/199,935, filed Aug. 28, 2008.
 U.S. Appl. No. 12/203,474, filed Sep. 3, 2008.
 U.S. Appl. No. 12/236,686, filed Sep. 24, 2008.
 U.S. Appl. No. 12/244,850, filed Oct. 3, 2008.
 U.S. Appl. No. 12/250,110, filed Oct. 13, 2008.
 U.S. Appl. No. 12/250,171, filed Oct. 13, 2008.
 U.S. Appl. No. 12/253,457, filed Oct. 17, 2008.
 U.S. Appl. No. 12/277,951, filed Nov. 25, 2008.
 U.S. Appl. No. 12/350,292, filed Jan. 8, 2009.
 U.S. Appl. No. 12/351,633, filed Jan. 9, 2009.
 U.S. Appl. No. 12/353,623, filed Jan. 14, 2009.
 U.S. Appl. No. 12/353,617, filed Jan. 14, 2009.
 U.S. Appl. No. 12/356,650, filed Jan. 21, 2009.
 U.S. Appl. No. 12/366,298, filed Feb. 5, 2009.
 U.S. Appl. No. 12/389,906, filed Feb. 20, 2009.
 U.S. Appl. No. 12/389,915, filed Feb. 20, 2009.
 U.S. Appl. No. 12/395,034, filed Feb. 27, 2009.
 U.S. Appl. No. 12/399,222, filed Mar. 6, 2009.
 U.S. Appl. No. 12/401,268, filed Mar. 10, 2009.
 U.S. Appl. No. 12/413,011, filed Mar. 27, 2009.
 U.S. Appl. No. 12/413,023, filed Mar. 27, 2009.
 U.S. Appl. No. 12/416,583, filed Apr. 1, 2009.
 U.S. Appl. No. 12/419,395, filed Apr. 7, 2009.
 U.S. Appl. No. 12/423,609, filed Apr. 14, 2009.
 U.S. Appl. No. 12/434,903, filed May 4, 2009.
 U.S. Appl. No. 12/436,237, filed May 6, 2009.

- U.S. Appl. No. 12/436,239, filed May 6, 2009.
- U.S. Appl. No. 12/436,231, filed May 6, 2009.
- U.S. Appl. No. 12/472,831, filed May 27, 2009.
- U.S. Appl. No. 12/475,082, filed May 29, 2009.
- U.S. Appl. No. 12/476,960, filed Jun. 2, 2009.
- Alexander et al., "Magnetic Resonance Image-Directed Stereotactic Neurosurgery: Use of Image Fusion with Computerized Tomography to Enhance Spatial Accuracy" *Journal Neurosurgery*, 83 (1995), pp. 271-276.
- Anderson et al., "A Numerical Study of Rapid Heating for High Temperature Radio Frequency Hyperthermia" *International Journal of Bio-Medical Computing*, 35 (1994), pp. 297-307.
- Anonymous. (1999) Auto Suture MIBB Site Marker: Single Use Clip Applier, United States Surgical (Product instructions). 2 pages.
- Anonymous. (2001) Disposable Chiba Biopsy Needles and Trays. Biopsy and Special Purpose Needles Cook Diagnostic and Interventional Products Catalog (products list). 4 pages.
- Anonymous, (1987) Homer Mammalok™ Breast Lesion Needle/Wire Localizer, Namic® Angiographic Systems Division, Glens Falls, New York, (Hospital products price list), 4 pages.
- Anonymous. (1999) MIBB Site Marker, United States Surgical (Sales brochure), 4 pages.
- Anonymous. Blunt Tubes with Finished Ends. Pointed Cannula, Popper & Sons Biomedical Instrument Division, (Products Price List), one page, Jul. 19, 2000.
- Anonymous. Ground Cannulae, ISPG, New Milford, CT, (Advertisement) one page, Jul. 19, 2000.
- B. Levy M.D. et al., "Update on Hysterectomy New Technologies and Techniques" *OBG Management*, Feb. 2003.
- B. Levy M.D., "Use of a New Vessel Ligation Device During Vaginal Hysterectomy" FIGO 2000, Washington, D.C.
- B. Levy M.D. et al., "Randomized Trial of Suture Versus Electrosurgical Bipolar Vessel Sealing in Vaginal Hysterectomy" *Obstetrics & Gynecology*, vol. 102, No. 1, Jul. 2003.
- B. F. Mullan et al., (May 1999) "Lung Nodules: Improved Wire for CT-Guided Localization," *Radiology* 211:561-565.
- B. T. Heniford M.D. et al., "Initial Research and Clinical Results with an Electrothermal Bipolar Vessel Sealer" Oct. 1999.
- Bergdahl et al., "Studies on Coagulation and the Development of an Automatic Computerized Bipolar Coagulator" *Journal of Neurosurgery* 75:1 (Jul., 1991), pp. 148-151.
- Bulletin of the American Physical Society, vol. 47, No. 5, Aug. 2002, p. 41.
- C. F. Gottlieb et al., "Interstitial Microwave Hyperthermia Applicators having Submillimetre Diameters", *Int. J. Hyperthermia*, vol. 6, No. 3, pp. 707-714, 1990.
- C. H. Durney et al., "Antennas for Medical Applications", *Antenna Handbook: Theory Application and Design*, p. 24-40, Van Nostrand Reinhold, 1988 New York, V.T. Lo, S.W. Lee.
- Carbonell et al., "Comparison of the Gyrus PlasmaKinetic Sealer and the Valleylab LigaSure™ Device in the Hemostasis of Small, Medium, and Large-Sized Arteries" *Carolinas Laparoscopic and Advanced Surgery Program*, Carolinas Medical Center, Charlotte, NC 2003.
- Carus et al., "Initial Experience With the LigaSure™ Vessel Sealing System in Abdominal Surgery" *Innovations That Work*, Jun. 2002.
- Chicharo et al., "A Sliding Goertzel Algorithm" Aug. 1996 DOS pp. 283-297 *Signal Processing*, Elsevier Science Publishers B.V. Amsterdam, NL, vol. 52, No. 3.
- Chou, C.K., (1995) "Radiofrequency Hyperthermia in Cancer Therapy," Chapter 94 in *Biologic Effects of Nonionizing Electromagnetic Fields*, CRC Press, Inc., pp. 1424-1428.
- Chung et al., "Clinical Experience of Sutureless Closed Hemorrhoidectomy with LigaSure™" *Diseases of the Colon & Rectum*, vol. 46, No. 1, Jan. 2003.
- Cosman et al., "Radiofrequency Lesion Generation and its Effect on Tissue Impedence", *Applied Neurophysiology*, 51:230-242, 1988.
- Cosman et al., "Theoretical Aspects of Radiofrequency Lesions in the Dorsal Root Entry Zone" *Neurosurgery* 15:(1984), pp. 945-950.
- Cosman et al., "Methods of Making Nervous System Lesions" in William RH, Rengachary SS (eds): *Neurosurgery*, New York: McGraw Hill, vol. 111, (1984), pp. 2490-2499.
- Crawford et al., "Use of the LigaSure™ Vessel Sealing System in Urologic Cancer Surger" *Grand Rounds in Urology* 1999, vol. 1, Issue 4, pp. 10-17.
- Dulemba et al., "Use of a Bipolar Electrothermal Vessel Sealer in Laparoscopically Assisted Vaginal Hysterectomy" *Sales/Product Literature*; Jan. 2004.
- E. David Crawford, "Evaluation of a New Vessel Sealing Device in Urologic Cancer Surgery" *Sales/Product Literature* 2000.
- E. David Crawford, "Use of a Novel Vessel Sealing Technology in Management of the Dorsal Venous Complex" *Sales/Product Literature* 2000.
- Esterline Product Literature, "Light Key: Visualize a Virtual Keyboard. One With No Moving Parts", 4 pages.
- Esterline, "Light Key Projection Keyboard" 2004 Advanced Input Systems, located at: <<http://www.advanced-input.com/lightkey>> last visited on Feb. 10, 2005.
- Geddes et al., "The Measurement of Physiologic Events by Electrical Impedence" *Am. J. MI*, Jan. Mar. 1964, pp. 16-27.
- Goldberg et al., "Image-guided Radiofrequency Tumor Ablation: Challenges and Opportunities—Part 1", (2001) *J Vasc. Interv. Radiol*, vol. 12, pp. 1021-1032.
- Goldberg et al., "Tissue Ablation with Radiofrequency: Effect of Probe Size, Gauge, Duration, and Temperature on Lesion Volume" *Acad Radio* (1995) vol. 2, No. 5, pp. 399-404.
- Heniford et al., "Initial Results with an Electrothermal Bipolar Vessel Sealer" *Surgical Endoscopy* (2001) 15:799-801.
- Herman at al., "Laparoscopic Intestinal Resection With the LigaSure™ Vessel Sealing System: A Case Report" *Innovations That Work*, Feb. 2002.
- Ian D. McRury et al., *The Effect of Ablation Sequence and Duration on Lesion Shape Using Rapidly Pulsed Radiofrequency Energy Through Electrodes*, Feb. 2000, Springer Netherlands, vol. 4; No. 1, pp. 307-320.
- Johnson et al., "Evaluation of a Bipolar Electrothermal Vessel Sealing Device in Hemorrhoidectomy" *Sales/Product Literature*, Jan. 2004.
- Jarrett et al., "Use of the LigaSure™ Vessel Sealing System for Peri-Hilar Vessels in Laparoscopic Nephrectomy" *Sales/Product Literature* 2000.
- Johnson, "Evaluation of the LigaSure™ Vessel Sealing System in Hemorrhoidectomy" *American College Of Surgeons (ACS) Clinic La Congress Poster* (2000).
- Johnson, "Use of the LigaSure™ Vessel Sealing System in Bloodless Hemorrhoidectomy" *Innovations That Work*, Mar. 2000.
- Joseph G. Andriole M.D. et al., "Biopsy Needle Characteristics Assessed in the Laboratory", *Radiology* 148: 659-662, Sep. 1983.
- Joseph Ortenberg, "LigaSure™ System Used in Laparoscopic 1st and 2nd Stage Orchiopexy" *Innovations That Work*, Nov. 2002.
- K. Ogata. *Modern Control Engineering*, Prentice-Hall. Englewood Cliffs, N.J., 1970.
- Kennedy et al., "High-burst-strength, feedback-controlled bipolar vessel sealing" *Surgical Endoscopy* (1998) 12: 876-878.
- Kopans, D.B. et al., (Nov. 1985) "Spring Hookwire Breast Lesion Localizer: Use with Rigid-Compression. Mammographic Systems," *Radiology* 157(2):537-538.
- Koyle et al., "Laparoscopic Palomo Varicocele Ligation in Children and Adolescents" *Pediatric Endosurgery & Innovative Techniques*, vol. 6, No. 1, 2002.
- LigaSure™ Vessel Sealing System, the Seal of Confidence in General, Gynecologic, Urologic, and Laparoscopic Surgery, *Sales/Product Literature*, Jan. 2004.
- Livraghi et al., (1995) "Saline-enhanced RF Tissue Ablation in the Treatment of Liver Metastases", *Radiology*, pp. 205-210.
- Lyndon B. Johnson Space Center, Houston, Texas, "Compact Directional Microwave Antenna for Localized Heating," *NASA Tech Briefs*, Mar. 2008.
- M. A. Astrahan, "A Localized Current Field Hyperthermia System for Use with 192-Iridium Interstitial Implants" *Medical Physics*. 9(3), May/June. 1982.
- Magdy F. Iskander et al., "Design Optimization of Interstitial Antennas". *IEEE Transactions on Biomedical Engineering*, vol. 36, No. 2, Feb. 1989, pp. 238-246.

- McGahan et al., (1995) "Percutaneous Ultrasound-guided Radiofrequency Electrocautery Ablation of Prostate Tissue in Dogs", *Acad Radiol*, vol. 2, No. 1: pp. 61-65.
- McLellan et al., "Vessel Sealing for Hemostasis During Pelvic Surgery" Int'l Federation of Gynecology and Obstetrics FIGO World Congress 2000, Washington, Dc.
- Mdtech product literature (Mar. 2000) I'D Wire: product description, 1 page.
- Mdtech product literature (Dec. 1999) "FlexStrand": product description, 1 page.
- Medtrex Brochure "The O.R. Pro 300" 1 page, Sep. 1998.
- Michael Choti, "Abdominoperineal Resection with the LigaSure™ Vessel Sealing System and LigaSure™ Atlas 20 cm Open Instrument" *Innovations That Work*, Jun. 2003.
- Muller et al., "Extended Left Hemicolectomy Using the LigaSure™ Vessel Sealing System" *Innovations That Work*. LJ, Sep. 1999.
- Murakami, R. et al., (1995). "Treatment of Hepatocellular Carcinoma: Value of Percutaneous Microwave Coagulation," *American Journal of Radiology (AJR)* 164:1159-1164.
- Ni Wei et al., "A Signal Processing Method for the Coriolis Mass Flowmeter Based on a Normalized . . ." *Journal of Applied Sciences Yingyong Kexue Xuebao*, Shanghai CN. vol. 23, No. 2:(2005-03); pp. 160-184.
- Ogden, "Goertzel Alternative to the Fourier Transform" Jun. 1993 pp. 485-487 *Electronics World*; Reed Business Publishing, Sutton, Surrey, BG, vol. 99, No. 9, 1687.
- Olsson M.D. et al., "Radical Cystectomy in Females" *Current Surgical Techniques in Urology*, vol. 14, Issue 3, 2001.
- Organ, L W., "Electrophysiologic Principles of Radiofrequency Lesion Making" *Appl. Neurophysiol*, vol. 39: pp. 69-76 (1976/77).
- P.R. Stauffer et al., "Interstitial Heating Technologies", *Thermoradiotherapy and Thermochemotherapy* (1995) vol. 1, Biology, Physiology, Physics, pp. 279-320.
- Palazzo et al., "Randomized clinical trial of LigaSure™ versus open haemorrhoidectomy" *British Journal of Surgery* 2002.89.154-157 "Innovations in Electrosurgery" Sales/Product Literature; Dec. 31, 2000.
- Paul G. Horgan, "A Novel Technique for Parenchymal Division During Hepatectomy" *The American Journal of Surgery*, vol. 181, No. 3, Oapril 2001, pp. 236-237.
- Peterson et al., "Comparison of Healing Process Following Ligation with Sutures and Bipolar Vessel Sealing" *Surgical Technology International* (2001).
- R. Gennari et al., (Jun. 2000) "Use of Technetium-99m-Labeled Colloid Albumin for Preoperative and Intraoperative Localization of Non palpable Breast Lesions," *American College of Surgeons*. 190(6):692-699.
- Valleylab Brochure, "Reducing Needlestick Injuries in the Operating Room" 1 page, Mar. 2001.
- Reidenbach, (1995) "First Experimental Results with Special Applicators for High-Frequency Interstitial Thermochemistry", *Society Minimally Invasive Therapy*, 4(Suppl 1):40 (Abstr).
- Richard Wolf Medical Instruments Corp. Brochure, "Kleppinger Bipolar Forceps & Bipolar Generator" 3 pages, Jan. 1989.
- Rothenberg et al., "Use of the LigaSure™ Vessel Sealing System in Minimally Invasive Surgery in Children" Int'l Pediatric Endosurgery Group (IPEG) 2000.
- Sayfan et al., "Sutureless Closed Hemorrhoidectomy: A New Technique" *Annals of Surgery*, vol. 234, No. 1, Jul. 2001, pp. 21-24.
- Sengupta et al., "Use of a Computer-Controlled Bipolar Diathermy System in Radical Prostatectomies and Other Open Urological Surgery" *ANZ Journal of Surgery* (2001) 71.9 pp. 538-540.
- Sigel et al., "The Mechanism of Blood Vessel Closure by High Frequency Electrocoagulation" *Surgery Gynecology & Obstetrics*, Oct. 1965 pp. 823-831.
- Solbiati et al., (2001) "Percutaneous Radio-frequency Ablation of Hepatic Metastases from Colorectal Cancer: Long-term Results in 117 Patients", *Radiology*, vol. 221, pp. 159-166.
- Strasberg et al., "Use of a Bipolar Vassel-Sealing Device for Parenchymal Transection During Liver Surgery" *Journal of Gastrointestinal Surgery*, vol. 6, No. 4, Jul./Aug. 2002 pp. 569-574.
- Stuart W. Young, *Nuclear Magnetic Resonance Imaging—Basic Principles*, Raven Press, New York, 1984.
- Sugita et al., "Bipolar Coagulator with Automatic Thermocontrol" *J. Neurosurg.*, vol. 41, Dec. 1944, pp. 777-779.
- Sylvain Labonte et al., "Monopole Antennas for Microwave Catheter Ablation", *IEEE Trans. On Microwave Theory and Techniques*, vol. 44, No. 10, pp. 1832-1840. Oct. 1995.
- T. Matsukawa et al., "Percutaneous Microwave Coagulation Therapy in Liver Tumors", *Acta Radiologica*, vol. 38, pp. 410-415, 1997.
- T. Seki et al., (1994) "Ultrasonically Guided Percutaneous Microwave Coagulation Therapy for Small Hepatocellular Carcinoma," *Cancer* 74(3):817.825.
- S. Humphries Jr. et al., "Finite Element Codes to Model Electrical Heating and Non LInear Thermal Transport in Biological Media", *Proc. ASME HTD-355*, 131 (1997).
- Urologix, Inc.—Medical Professionals: Targis™ Technology (Date Unknown). "Overcoming the Challenge" located at: <<http://www.urologix.com/medicaUtechnology.html>> last visited on Apr. 27, 2001, 3 pages.
- Urrutia et al., (1988). "Retractable-Barb Needle for Breast Lesion Localization: Use in 60 Cases," *Radiology* 169(3):845-847.
- Valleylab Brochure, "Valleylab Electrosield Monitoring System" 2 pages, Nov. 1995.
- ValleyLab Brochure, "Electosurgery: A Historical Overview", *Innovations in Electrosurgery*, 1999.
- Vallfors et al., "Automatically Controlled Bipolar Electrocoagulation—'Coa-Comp'" *Neurosurgical Review* 7:2-3 (1984) pp. 187-190.
- W. Scott Helton, "LigaSure™ Vessel Sealing System: Revolutionary Hemostasis Product for General Surgery" Sales/Product Literature 1999.
- Wald et al., "Accidental Burns", *JAMA*, Aug. 16, 1971, vol. 217, No. 7, pp. 916-921.
- Walt Boyles, "Instrumentation Reference Book", 2002, Butterworth-Heinemann, pp. 262-264.
- European Search Report EP 03721482 dated Feb. 6, 2006.
- European Search Report EP 04009964 dated Jul. 28, 2004.
- European Search Report EP 04013772 dated Apr. 11, 2005.
- European Search Report EP 04015980 dated Nov. 3, 2004.
- European Search Report EP 04015981.6 dated Oct. 25, 2004.
- European Search Report EP 04027314 dated Mar. 31, 2005.
- European Search Report EP 04027479 dated Mar. 17, 2005.
- European Search Report EP 04027705 dated Feb. 10, 2005.
- European Search Report EP 04710258 dated Oct. 15, 2004.
- European Search Report EP 04752343.6 dated Jul. 31, 2007.
- European Search Report EP 05002027.0 dated May 12, 2005.
- European Search Report EP 05002769.7 dated Jun. 19, 2006.
- European Search Report EP 05013463.4 dated Oct. 7, 2005.
- European Search Report EP 05013895 dated Oct. 21, 2005.
- European Search Report EP 05014156.3 dated Jan. 4, 2006.
- European Search Report EP 05016399 dated Jan. 13, 2006.
- European Search Report EP 05017281 dated Nov. 24, 2005.
- European Search Report EP 05019130.3 dated Oct. 27, 2005.
- European Search Report EP 05019882 dated Feb. 16, 2006.
- European Search Report EP 05020665.5 dated Feb. 27, 2006.
- European Search Report EP 05020666.3 dated Feb. 27, 2006.
- European Search Report EP 05021025.1 dated Mar. 13, 2006.
- European Search Report EP 05021197.8 dated Feb. 20, 2006.
- European Search Report EP 05021777 dated Feb. 23, 2006.
- European Search Report EP 05021779.3 dated Feb. 2, 2006.
- European Search Report EP 05021780.1 dated Feb. 23, 2006.
- European Search Report EP 05021935 dated Jan. 27, 2006.
- European Search Report EP 05021936.9 dated Feb. 6, 2006.
- European Search Report EP 05021937.7 dated Jan. 23, 2006.
- European Search Report EP 05021939 dated Jan. 27, 2006.
- European Search Report EP 05021944.3 dated Jan. 25, 2006.
- European Search Report EP 05022350.2 dated Jan. 30, 2006.
- European Search Report EP 05023017.6 dated Feb. 24, 2006.
- European Search Report EP 05025423.4 dated Jan. 19, 2007.
- European Search Report EP 05025424 dated Jan. 30, 2007.
- European Search Report EP 06000708.5 dated May 15, 2006.
- European Search Report EP 06002279.5 dated Mar. 30, 2006.
- European Search Report EP 06005185.1 dated May 10, 2006.
- European Search Report EP 06005540 dated Sep. 24, 2007.
- European Search Report EP 06006717.0 dated Aug. 11, 2006.

US D613,412 S

Page 5

European Search Report EP 06006961 dated Oct. 22, 2007.
European Search Report EP 06006963 dated Jul. 25, 2006.
European Search Report EP 06008779.8 dated Jul. 13, 2006.
European Search Report EP 06009435 dated Jul. 13, 2006.
European Search Report EP 06010499.9 dated Jan. 29, 2008.
European Search Report EP 06014461.5 dated Oct. 31, 2006.
European Search Report EP 06018206.0 dated Oct. 20, 2006.
European Search Report EP 06019768 dated Jan. 17, 2007.
European Search Report EP 06020574.7 dated Oct. 2, 2007.
European Search Report EP 06020583.8 dated Feb. 7, 2007.
European Search Report EP 06020584.6 dated Feb. 1, 2007.
European Search Report EP 06020756.0 dated Feb. 16, 2007.
European Search Report EP 06022028.2 dated Feb. 13, 2007.
European Search Report EP 06023756.7 dated Feb. 21, 2008.
European Search Report EP 06024122.1 dated Apr. 16, 2007.
European Search Report EP 06024123.9 dated Mar. 6, 2007.
European Search Report EP 06025700.3 dated Apr. 12, 2007.
European Search Report EP 07000885.9 dated May 15, 2007.
European Search Report EP 07001480.8 dated Apr. 19, 2007.
European Search Report EP 07001481.6 dated May 2, 2007.
European Search Report EP 07001485.7 dated May 23, 2007.
European Search Report EP 07001488.1 dated Jun. 5, 2007.
European Search Report EP 07001489.9 dated Dec. 20, 2007.
European Search Report EP 07001491 dated Jun. 6, 2007.
European Search Report EP 07001527.6 dated May 18, 2007.
European Search Report EP 07007783.9 dated Aug. 14, 2007.
European Search Report EP 07008207.8 dated Sep. 13, 2007.
European Search Report EP 07009026.1 dated Oct. 8, 2007.
European Search Report EP 07009028 dated Jul. 16, 2007.
European Search Report EP 07009029.5 dated Jul. 20, 2007.
European Search Report EP 07009321.6 dated Aug. 28, 2007.
European Search Report EP 07009322.4 dated Jan. 14, 2008.
European Search Report EP 07010672.9 dated Oct. 16, 2007.
European Search Report EP 07010673.7 dated Oct. 5, 2007.
European Search Report EP 07013779.9 dated Oct. 26, 2007.
European Search Report EP 07015191.5 dated Jan. 23, 2007.
European Search Report EP 07015601.3 dated Jan. 4, 2007.

European Search Report EP 07015602.1 dated Dec. 20, 2007.
European Search Report EP 07018375.1 dated Jan. 8, 2008.
European Search Report EP 07018821 dated Jan. 14, 2008.
European Search Report EP 07019173.9 dated Feb. 12, 2008.
European Search Report EP 07019174.7 dated Jan. 29, 2008.
European Search Report EP 07019178.8 dated Feb. 12, 2008.
European Search Report EP 07020283.3 dated Feb. 5, 2008.
European Search Report EP 07253835.8 dated Dec. 20, 2007.
European Search Report EP 08001019 dated Sep. 23, 2008.
European Search Report EP 08004975 dated Jul. 24, 2008.
European Search Report EP 08006731.7 dated Jul. 29, 2008.
European Search Report EP 08006733 dated Jul. 7, 2008.
European Search Report EP 08006734.1 dated Aug. 18, 2008.
European Search Report EP 08006735.8 dated Jan. 8, 2009.
European Search Report EP 08015842 dated Dec. 5, 2008.
European Search Report EP 98300964.8 dated Dec. 13, 2000.
European Search Report EP 98944778 dated Nov. 7, 2000.
European Search Report EP 98958575.7 dated Oct. 29, 2002.
International Search Report PCT/US01/11218 dated Aug. 14, 2001.
International Search Report PCT/US01/11224 dated Nov. 13, 2001.
International Search Report PCT/US01/11340 dated Aug. 16, 2001.
International Search Report PCT/US01/11420 dated Oct. 16, 2001.
International Search Report PCT/US02/01890 dated Jul. 25, 2002.
International Search Report PCT/US02/11100 dated Jul. 16, 2002.
International Search Report PCT/US03/09483 dated Aug. 13, 2003.
International Search Report PCT/US03/22900 dated Dec. 2, 2003.
International Search Report PCT/US03/37110 dated Jul. 25, 2005.
International Search Report PCT/US03/37111 dated Jul. 28, 2004.
International Search Report PCT/US03/37310 dated Aug. 13, 2004.
International Search Report PCT/US04/04685 dated Aug. 27, 2004.
International Search Report PCT/US04/13273 dated Dec. 15, 2004.
International Search Report PCT/US04/15311 dated Jan. 12, 2004.
International Search Report PCT/US98/18640 dated Jan. 29, 1998.
International Search Report PCT/US98/23950 dated Jan. 14, 1998.
International Search Report PCT/US99/24869 dated Feb. 11, 2000.

* cited by examiner

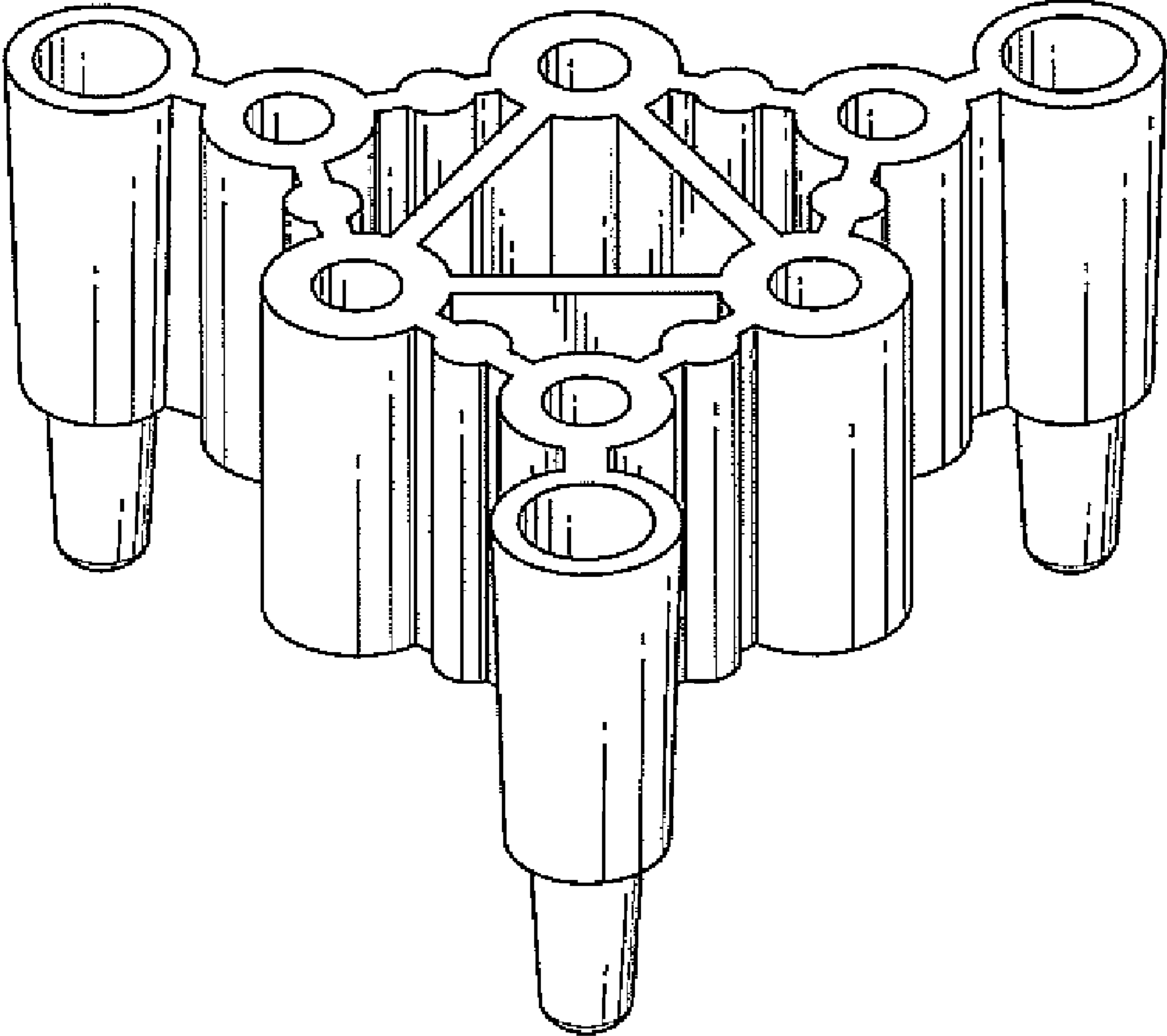


FIG. 1

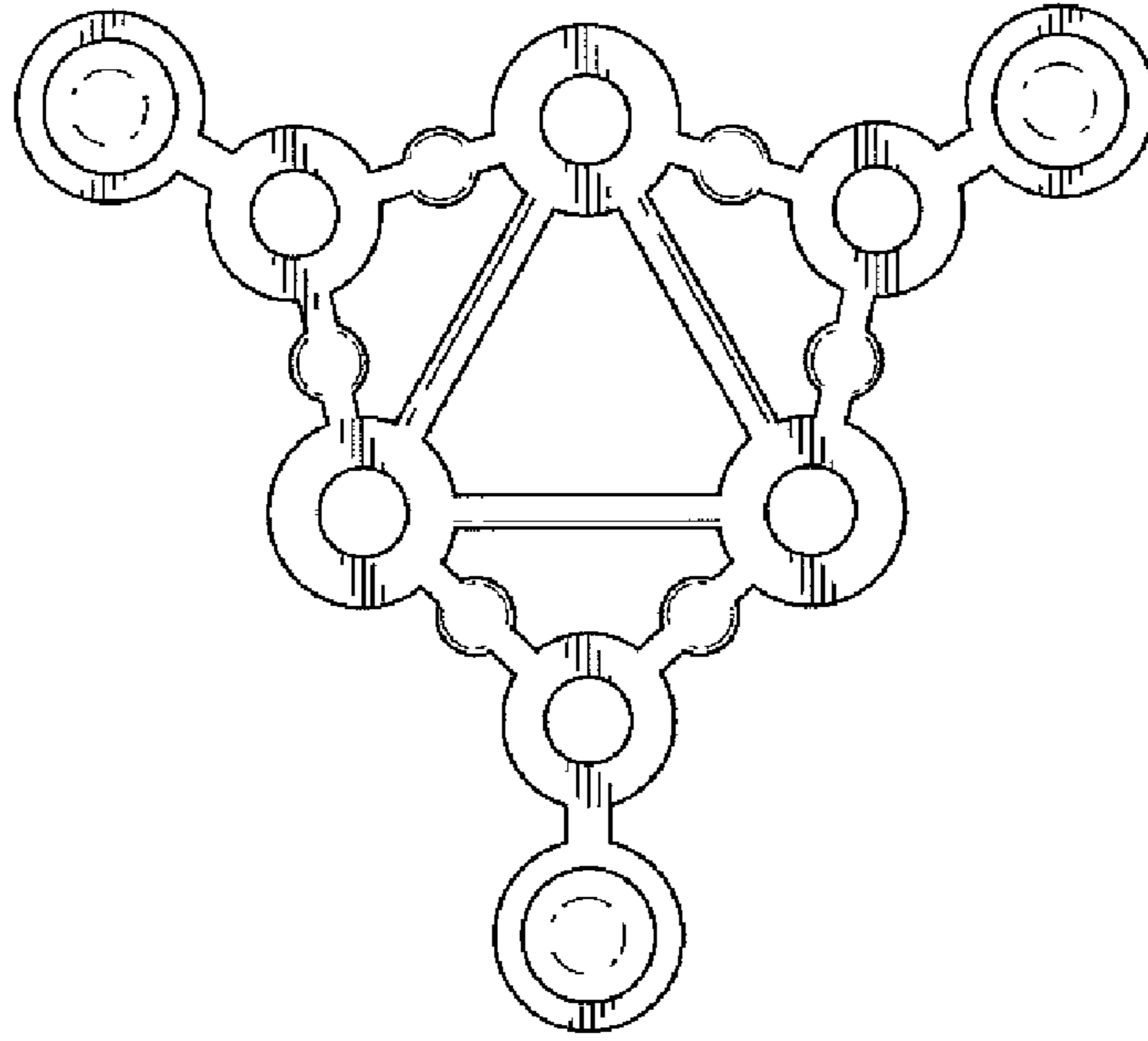


FIG. 2

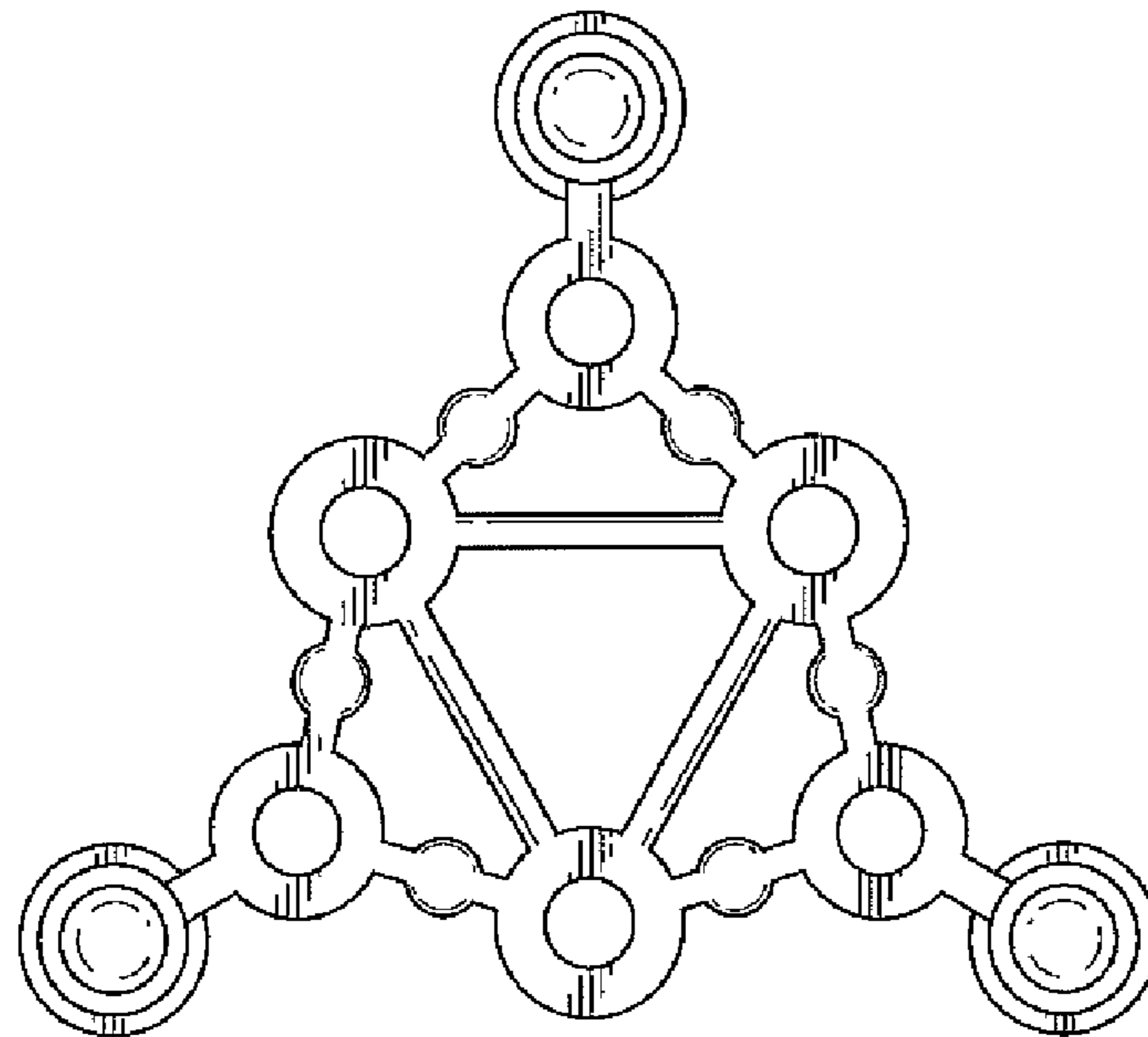


FIG. 3

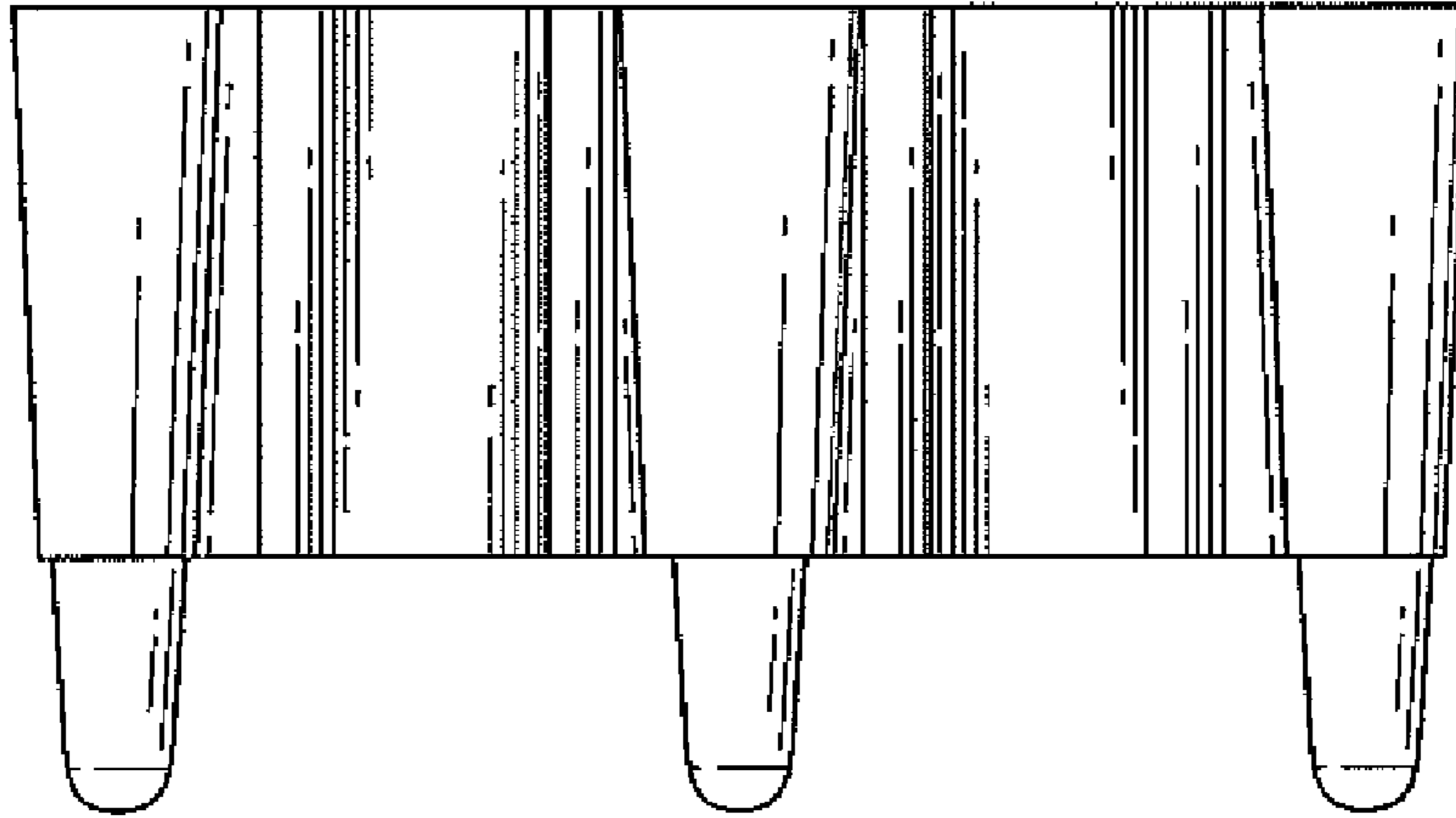


FIG. 4

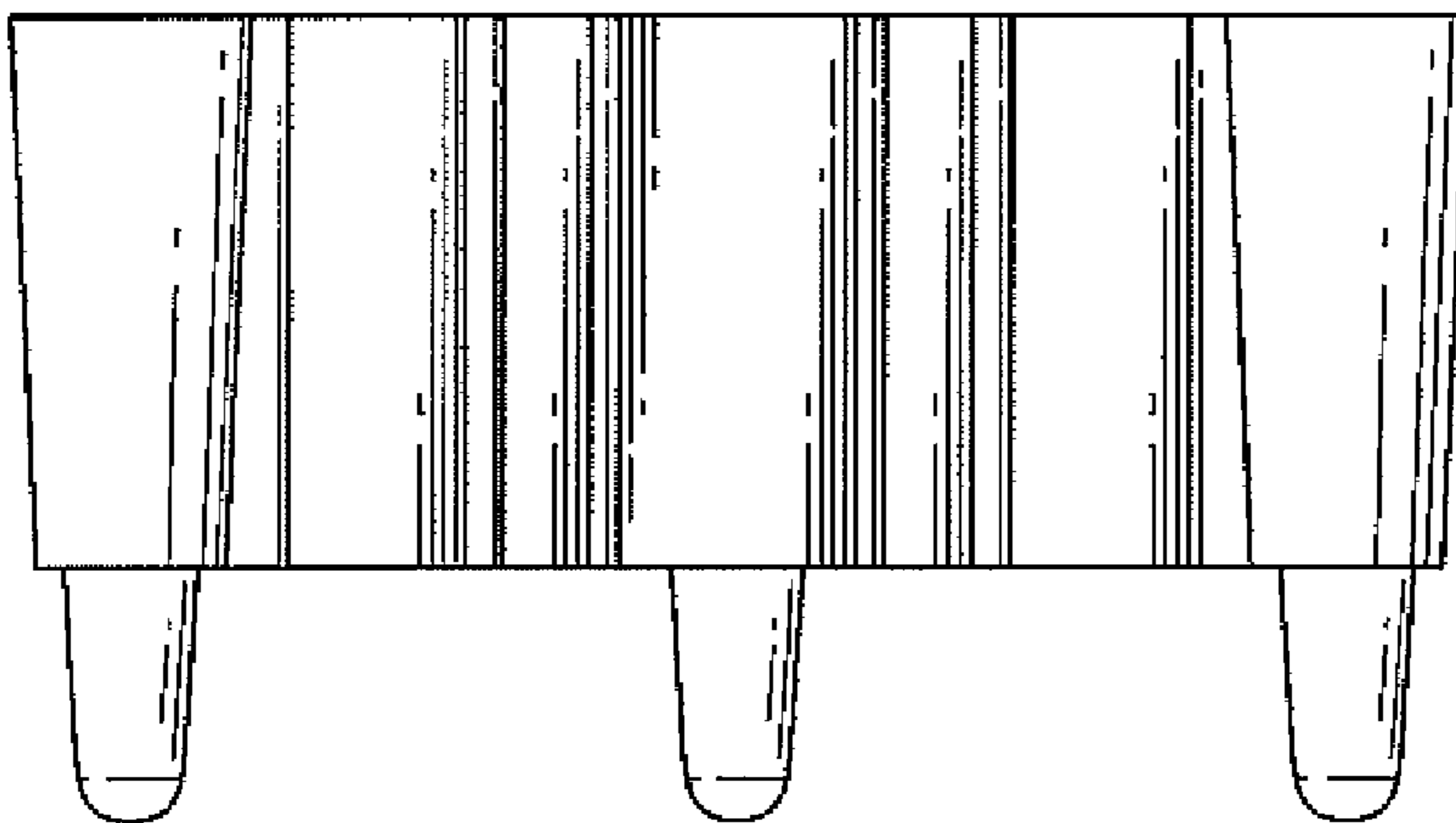


FIG. 5

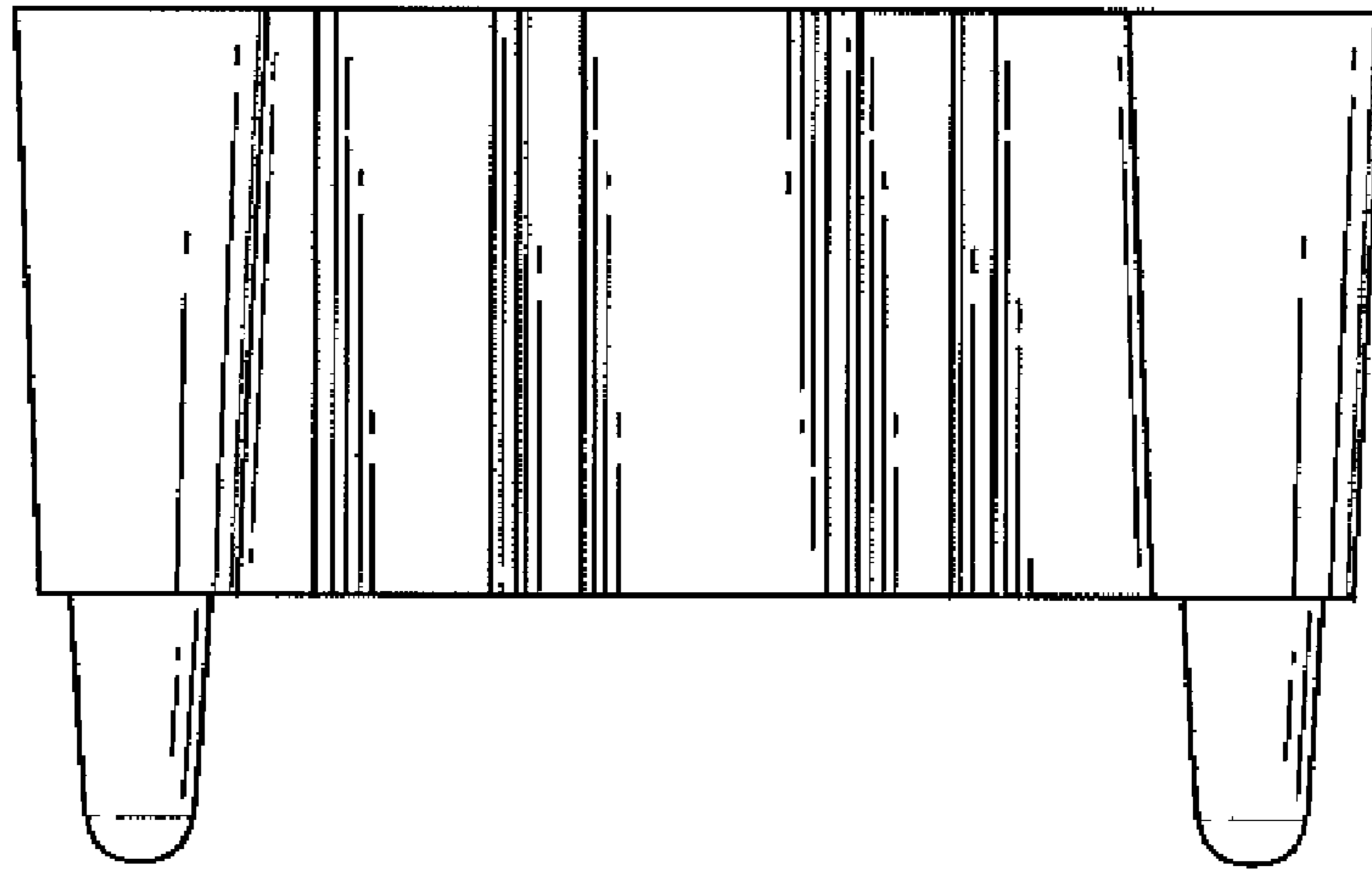


FIG. 6

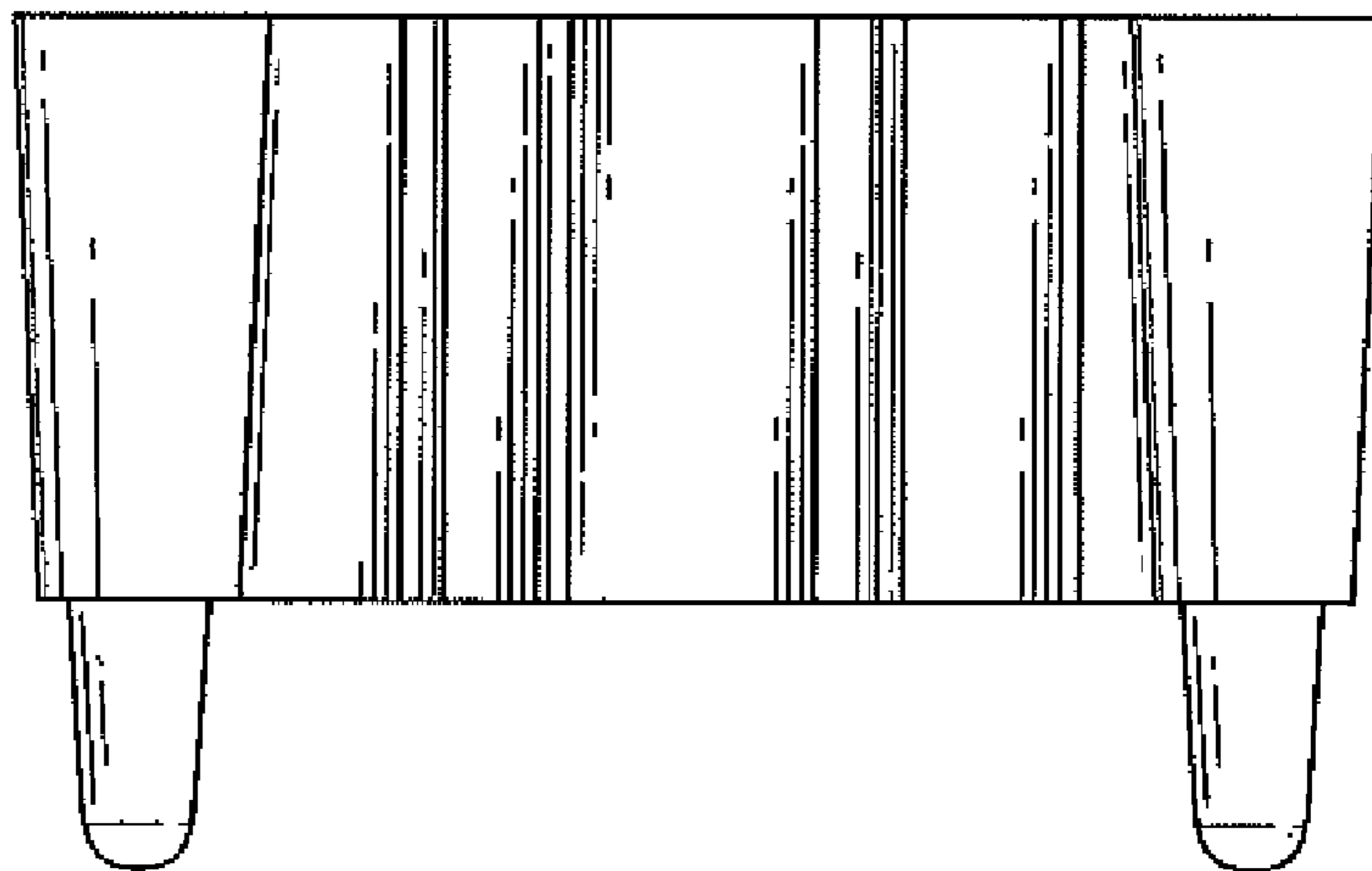


FIG. 7

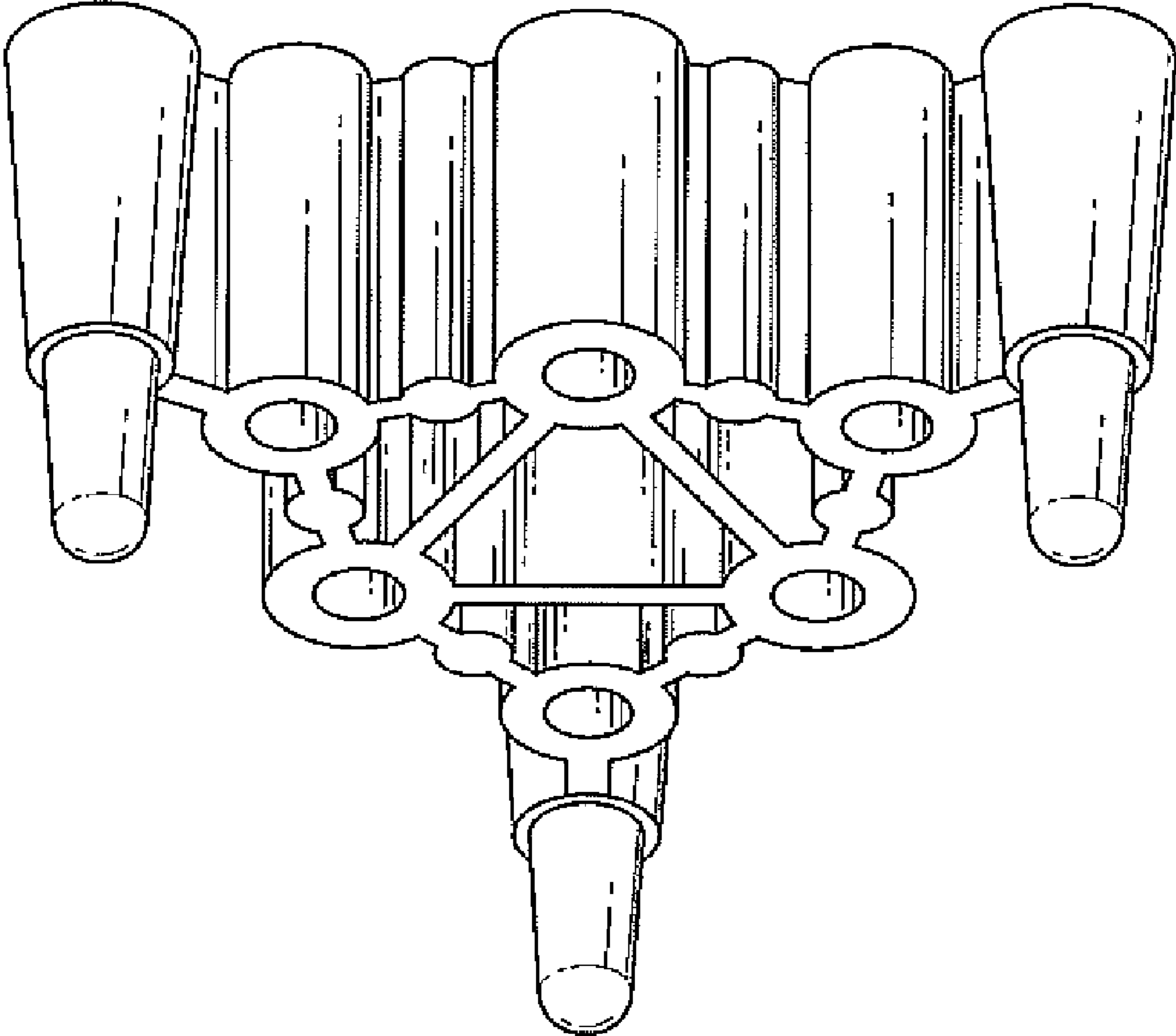


FIG. 8