



US00D613411S

(12) **United States Design Patent**
Collins et al.

(10) **Patent No.:** **US D613,411 S**
(45) **Date of Patent:** **** Apr. 6, 2010**

(54) **GRAPHICAL USER INTERFACE MODULE
FOR PATIENT-OPERATED MEDICAL
DEVICE**

D558,351 S * 12/2007 Diener et al. D24/186
D567,125 S * 4/2008 Okabe et al. D24/169
D569,521 S * 5/2008 Omaki D24/186
D598,109 S * 8/2009 Collins et al. D24/186

(75) Inventors: **David E. Collins**, Manchester, NH (US);
Jared Farlow, Manchester, NH (US);
Keith Violette, Sandown, NH (US)

* cited by examiner

(73) Assignee: **Deka Products Limited Partnership**,
Manchester, NH (US)

Primary Examiner—T. Chase Nelson

Assistant Examiner—Mark Cavanna

(74) *Attorney, Agent, or Firm*—Wolf Greenfield & Sacks,
P.C.

(**) Term: **14 Years**

(57) **CLAIM**

(21) Appl. No.: **29/340,041**

The ornamental design for a graphical user interface module
for patient-operated medical device, as shown and described.

(22) Filed: **Jul. 13, 2009**

Related U.S. Application Data

DESCRIPTION

(62) Division of application No. 29/323,556, filed on Aug.
27, 2008, now Pat. No. Des. 598,109.

FIG. 1 is a top, front, left side perspective view of the graphi-
cal user interface module for patient-operated medical
device;

(51) **LOC (9) Cl.** **24-01**

FIG. 2 is a top, rear, left side perspective view thereof;

(52) **U.S. Cl.** **D24/186**

FIG. 3 is a front elevational view thereof;

(58) **Field of Classification Search** D24/107,

D24/111, 164–165, 168–169, 185–186; 600/301,

600/481, 483–485, 509, 513, 519, 544; 128/900;

D10/81

FIG. 4 is a rear elevational view thereof;

FIG. 5 is a left side elevational view thereof;

See application file for complete search history.

FIG. 6 is a right side elevational view thereof;

FIG. 7 is a top, plan view thereof;

(56) **References Cited**

U.S. PATENT DOCUMENTS

D390,666 S * 2/1998 Lagerlof D24/186

D414,870 S * 10/1999 Saltzstein et al. D24/186

D447,569 S * 9/2001 Baily et al. D24/186

D502,655 S * 3/2005 Huang D10/81

D535,031 S * 1/2007 Barrett et al. D24/186

D536,795 S * 2/2007 Knieriem et al. D24/186

D547,453 S * 7/2007 Rogers D24/186

D547,454 S * 7/2007 Hsieh D24/186

D549,831 S * 8/2007 Ward et al. D24/186

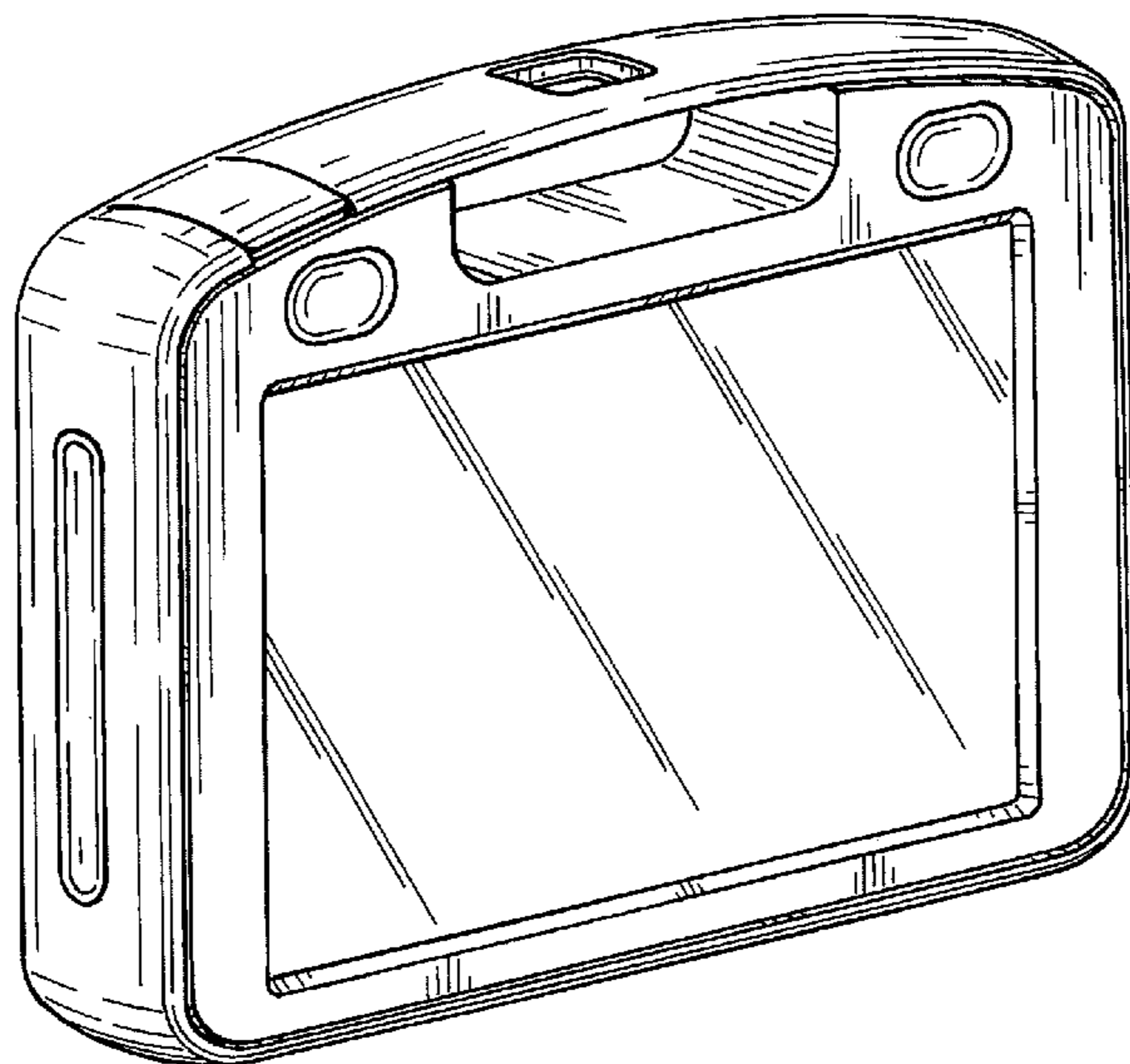
FIG. 8 is a bottom, plan view thereof;

FIG. 9 is a top, rear, and left side perspective view showing the
design in an alternate position from that of FIG. 2; and,

FIG. 10 is a left side elevational view thereof.

The broken lines shown are included for the purpose of illus-
trating portions of the graphical user interface module for
patient-operated medical device that form no part of the
claimed design.

1 Claim, 6 Drawing Sheets



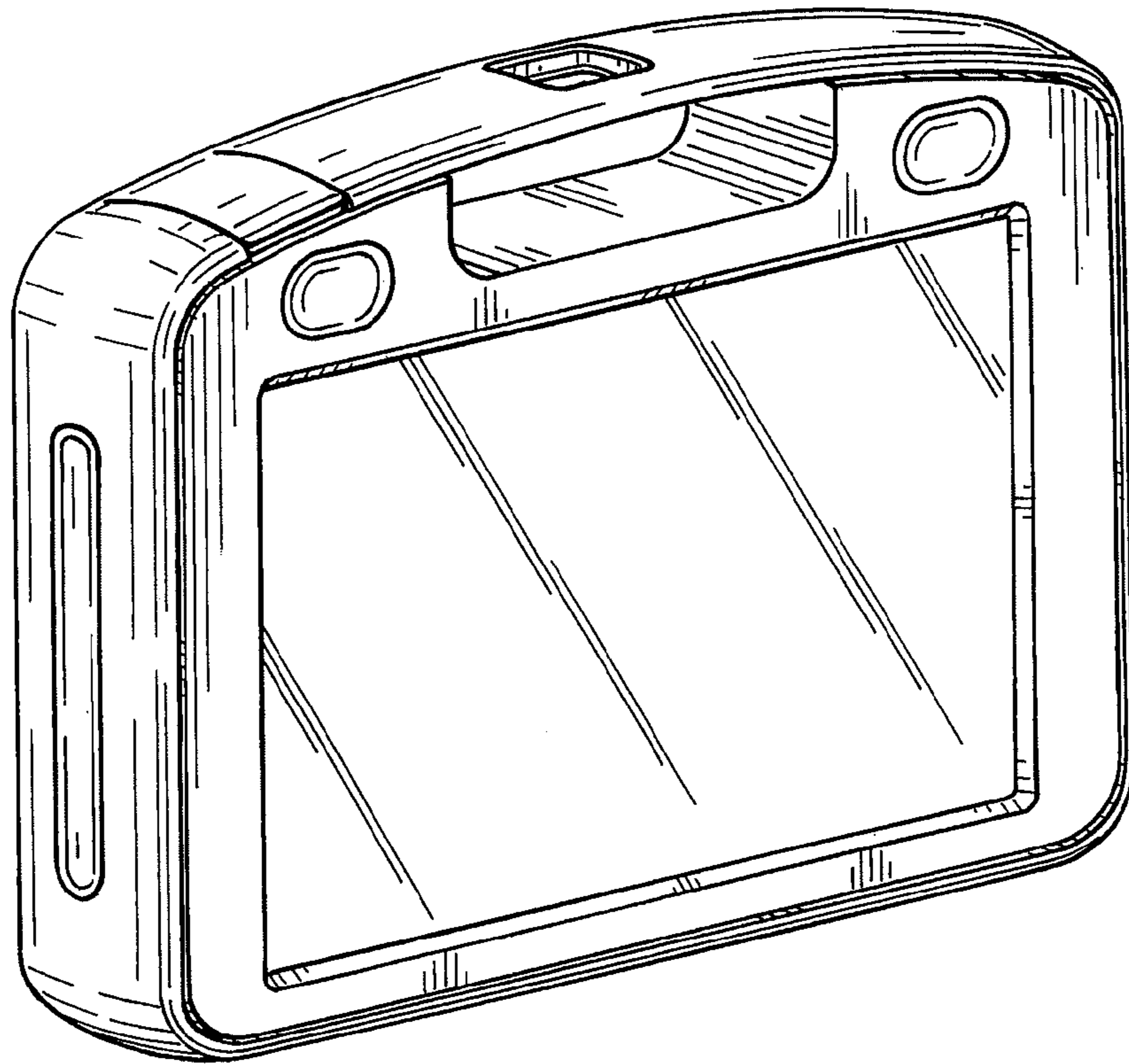


Fig. 1

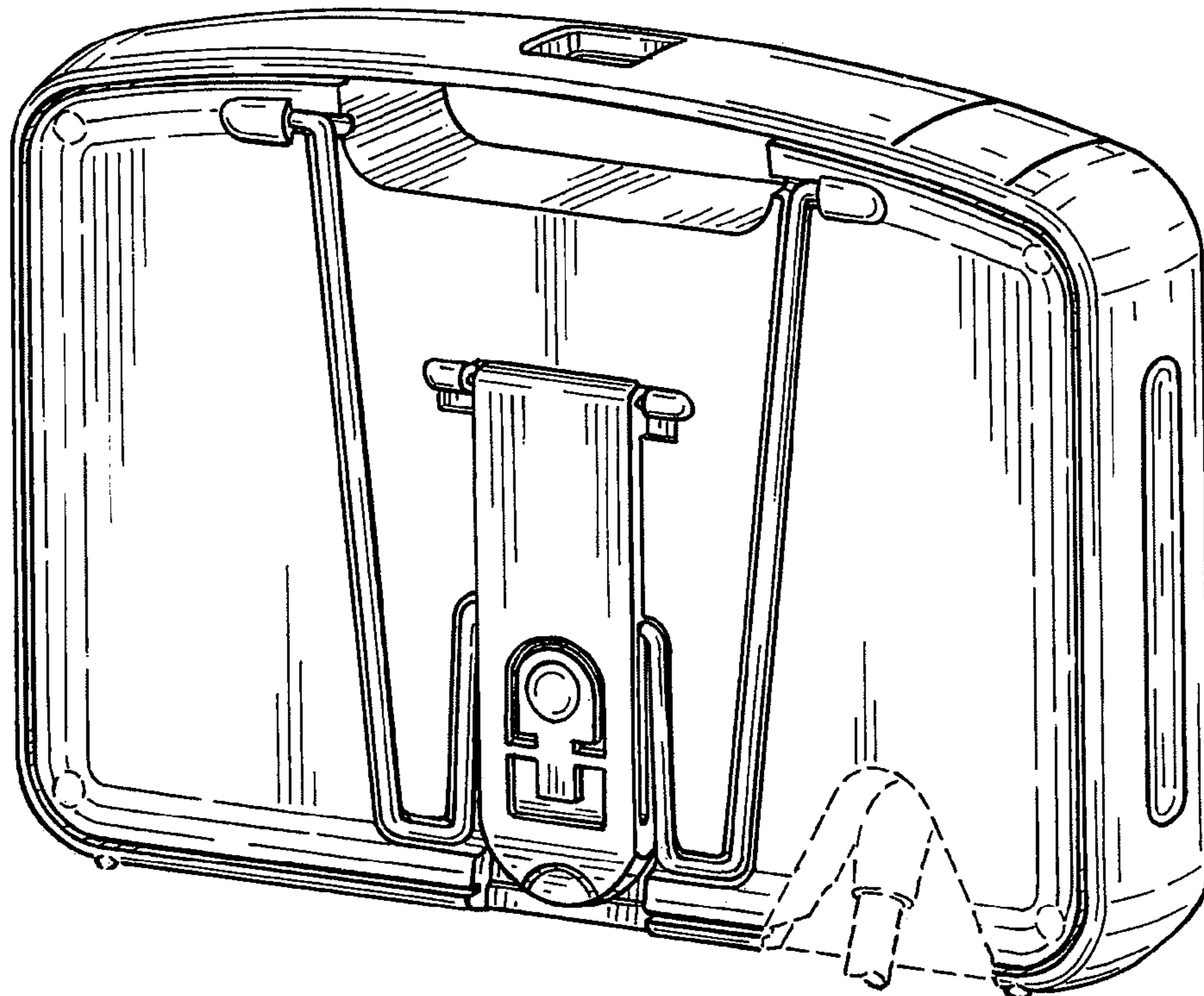


Fig. 2

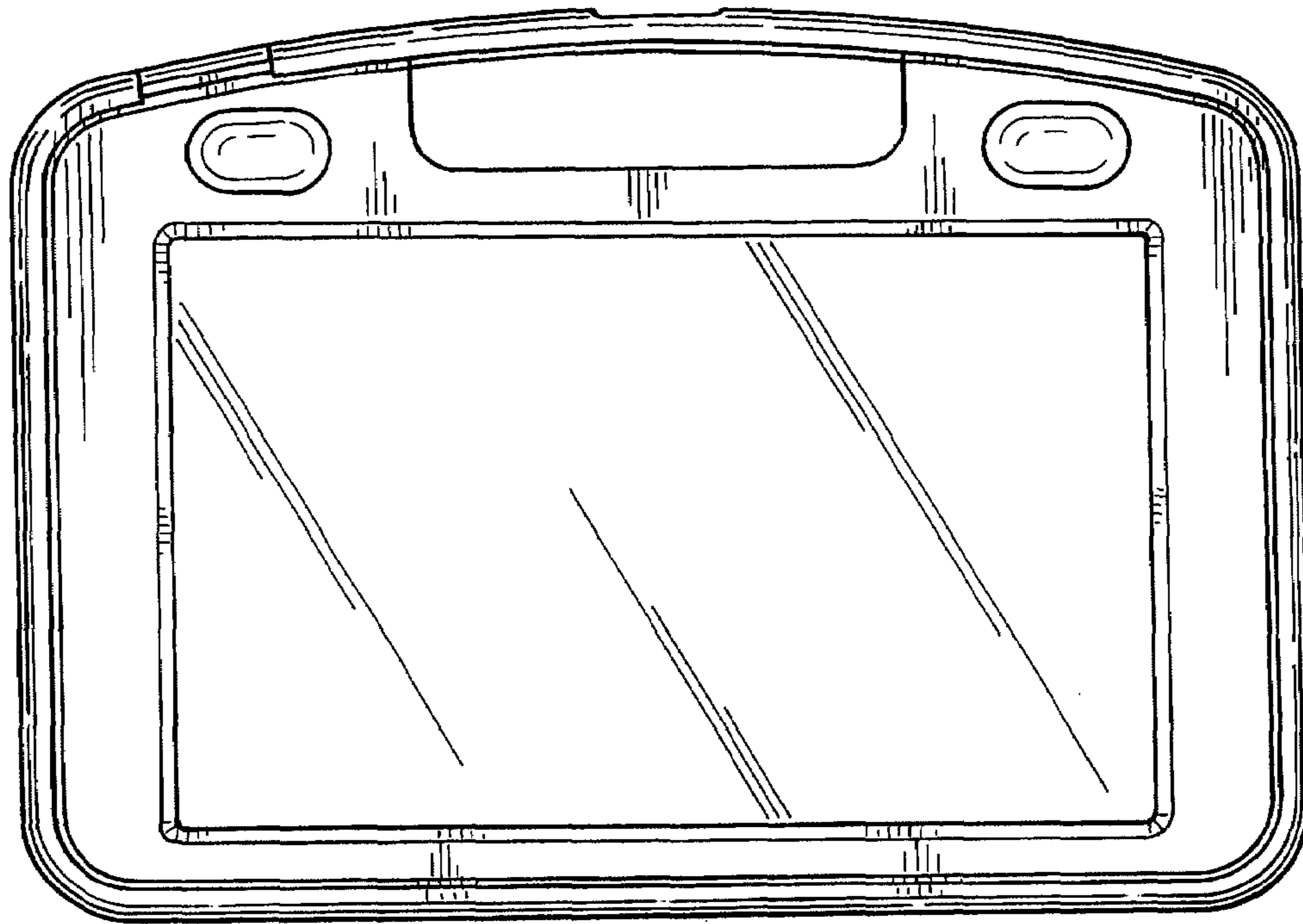


Fig. 3

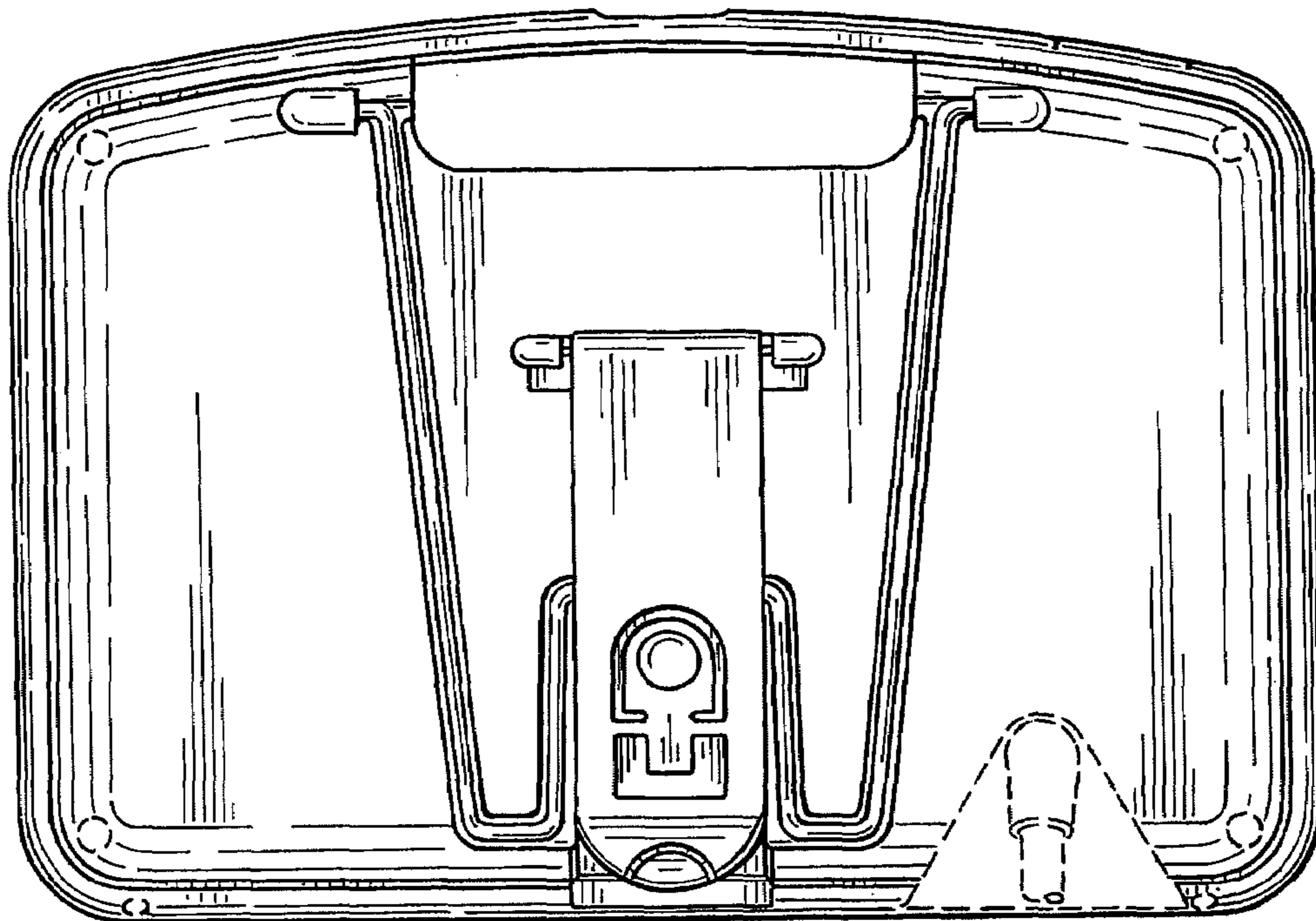


Fig. 4

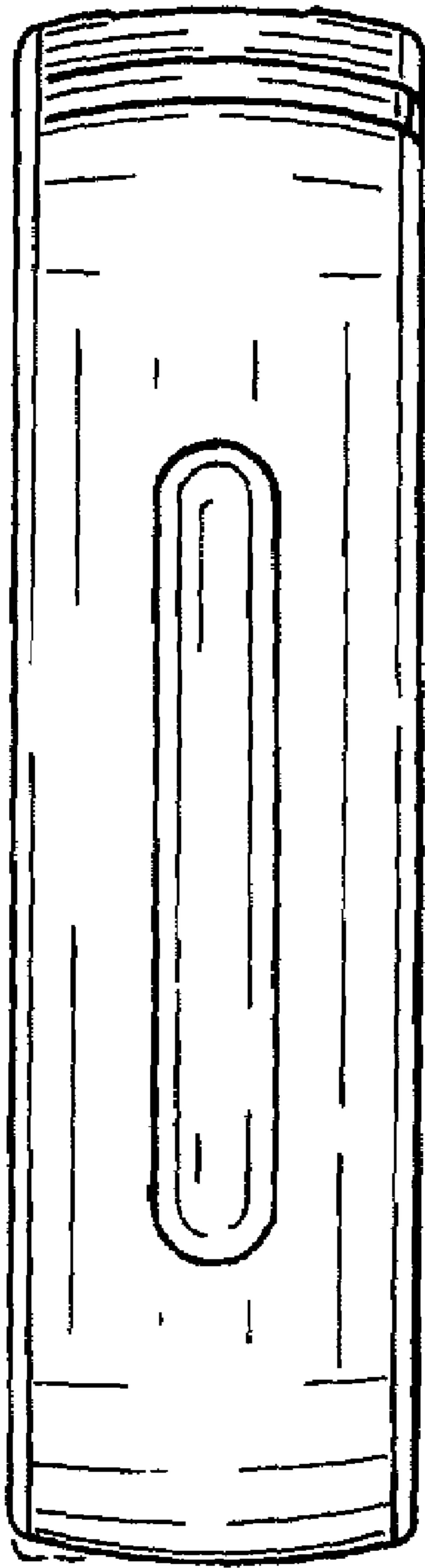


Fig. 5



Fig. 6

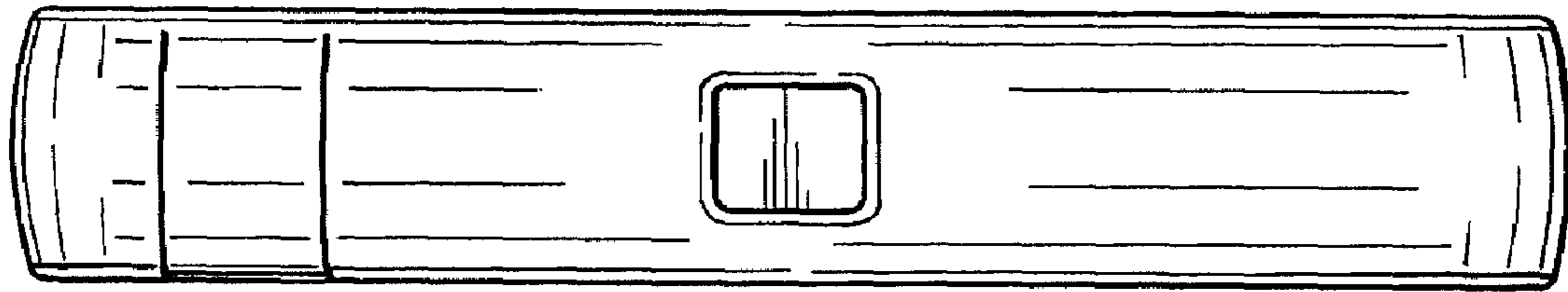


Fig. 7

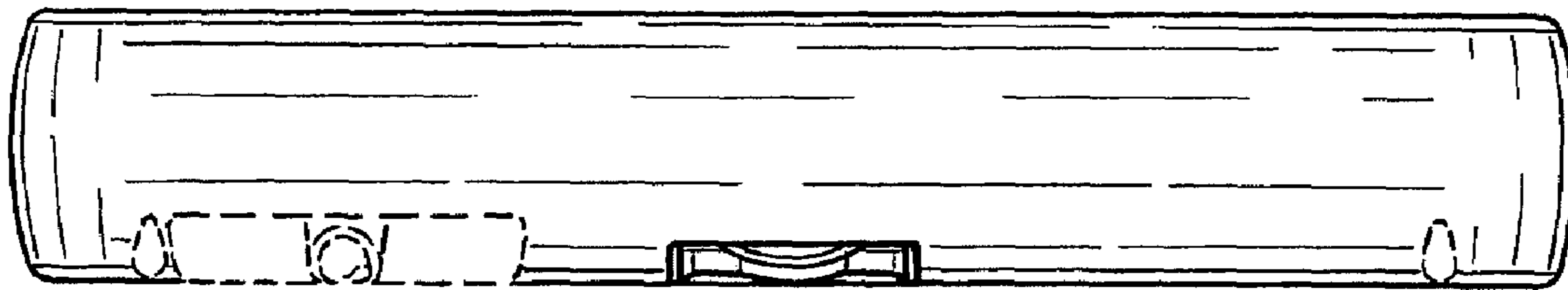


Fig. 8

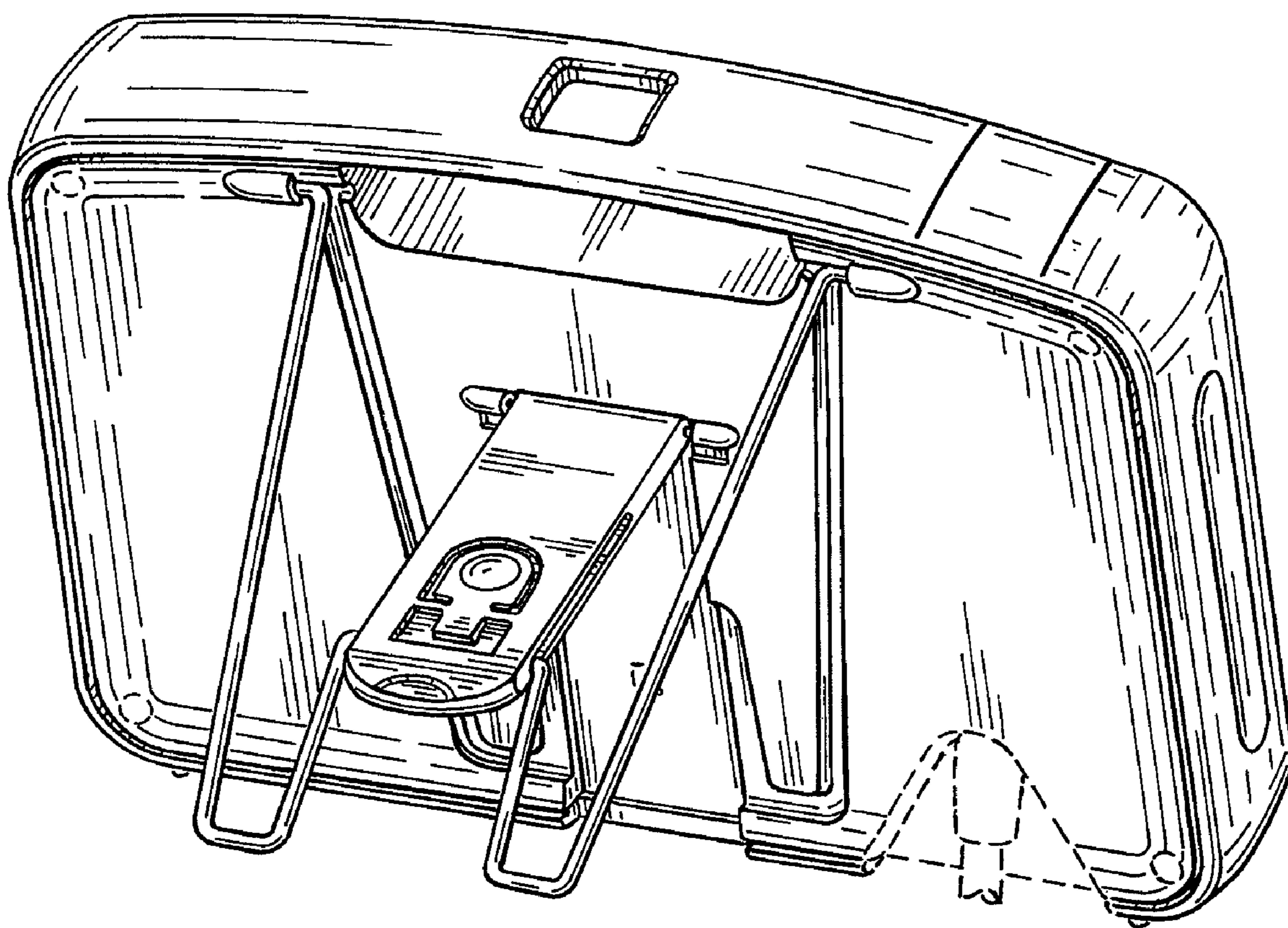


Fig. 9

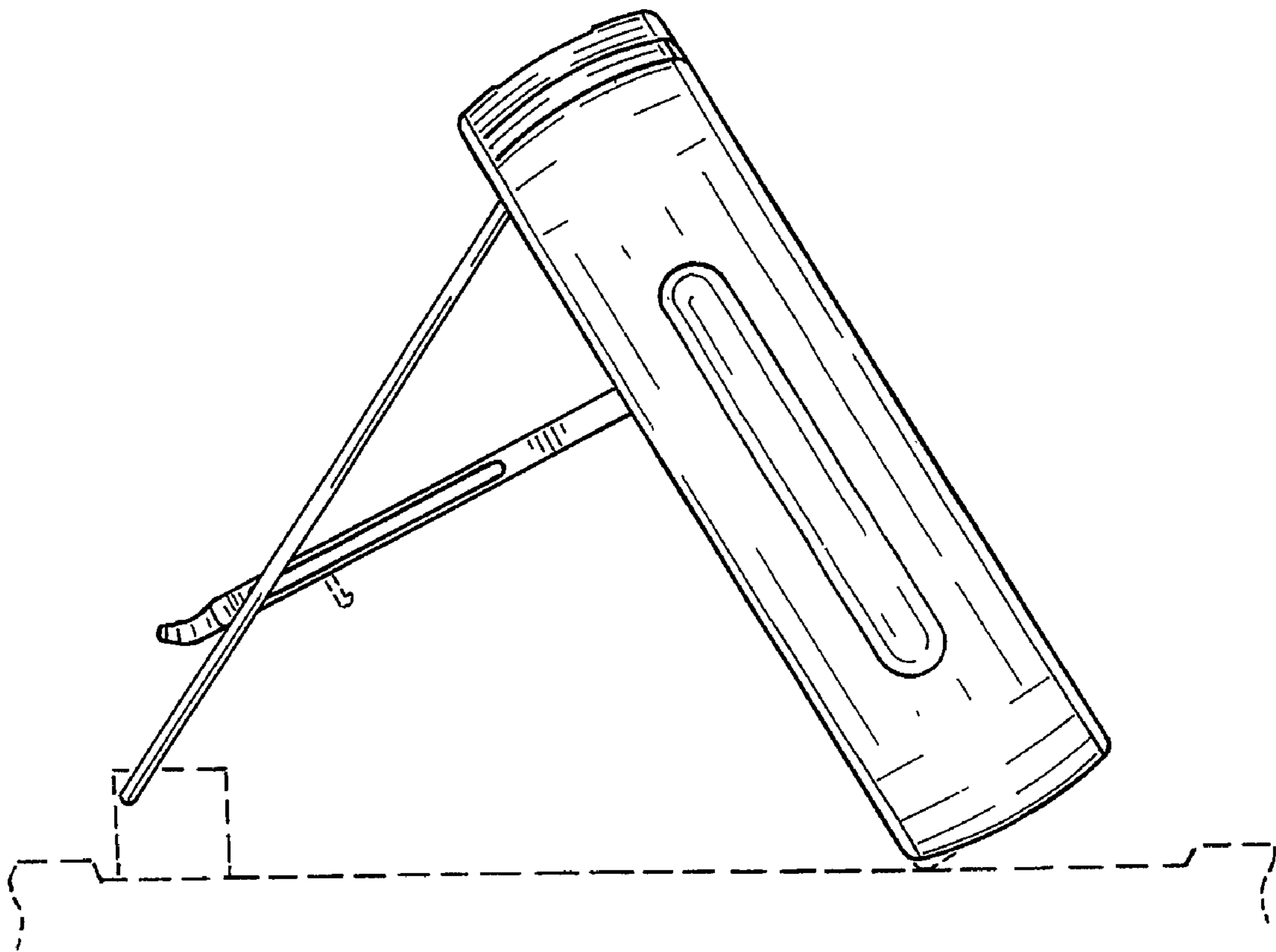


Fig. 10