



US00D613410S

(12) **United States Design Patent**
Genelli

(10) **Patent No.:** **US D613,410 S**

(45) **Date of Patent:** **** Apr. 6, 2010**

(54) **MESSAGE COUCH**

(75) Inventor: **Angelo Silvio Genelli**, Azzanello (IT)

(73) Assignee: **Brusaferrri & C. Srl**, Milan (IT)

(**) Term: **14 Years**

(21) Appl. No.: **29/326,851**

(22) Filed: **Oct. 24, 2008**

(30) **Foreign Application Priority Data**

Apr. 24, 2008 (EM) 000924063-0001

(51) **LOC (9) Cl.** **24-04**

(52) **U.S. Cl.** **D24/183**

(58) **Field of Classification Search** D24/183,
D24/200, 171; 108/36, 115, 132; 5/111,
5/600, 607, 610-614, 618, 620, 622, 632;
601/24, 98, 134, 146; 606/240-242; D6/367,
D6/382, 480, 482

See application file for complete search history.

(56) **References Cited**

U.S. PATENT DOCUMENTS

D301,925 S * 6/1989 Simpkins et al. D24/183
D324,571 S * 3/1992 Yamasaki D24/200
D335,001 S * 4/1993 Drake D6/486
D364,464 S * 11/1995 Gigante et al. D24/183

D392,741 S * 3/1998 Blanchard et al. D24/183
D403,772 S * 1/1999 Fanuzzi D24/183
5,974,979 A * 11/1999 Grady et al. 108/36
D418,689 S * 1/2000 Royston et al. D6/382
D433,508 S * 11/2000 Crowther et al. D24/183
D436,176 S * 1/2001 Fanuzzi D24/183
D533,667 S * 12/2006 Roleder D24/183
D583,952 S * 12/2008 Genelli D24/183

* cited by examiner

Primary Examiner—T. Chase Nelson

Assistant Examiner—Mark Cavanna

(74) *Attorney, Agent, or Firm*—Young & Thompson

(57) **CLAIM**

The ornamental design for a massage couch, as shown and described.

DESCRIPTION

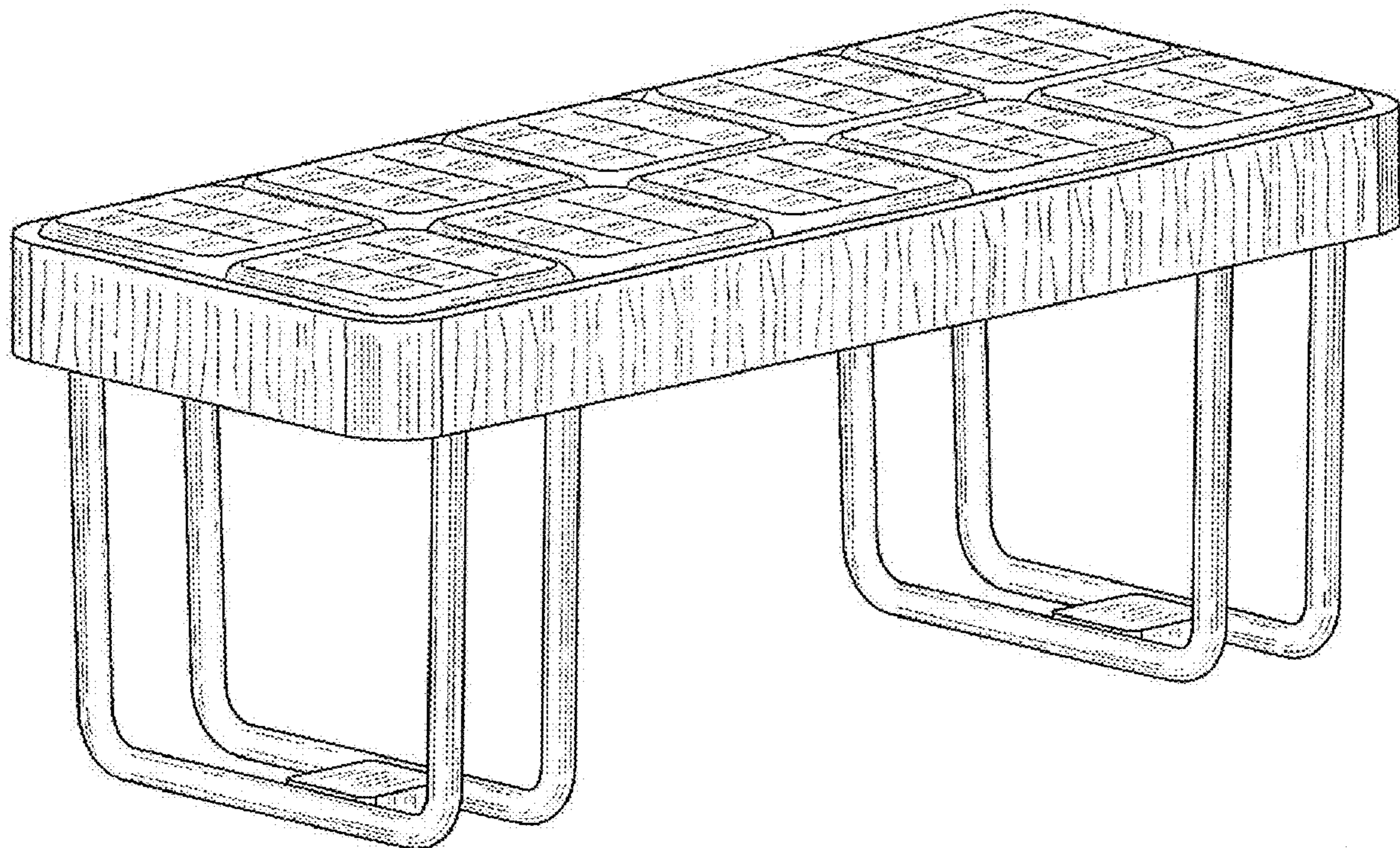
FIG. 1 is a front and side perspective view of a massage couch showing my new design;

FIG. 2 is an end elevational view thereof, the appearance of the end opposite that shown in FIG. 2 being identical thereto;

FIG. 3 is a side elevational view thereof, the appearance of the side opposite that shown in FIG. 3 being identical thereto; and,

FIG. 4 is a top plan view thereof.

1 Claim, 4 Drawing Sheets



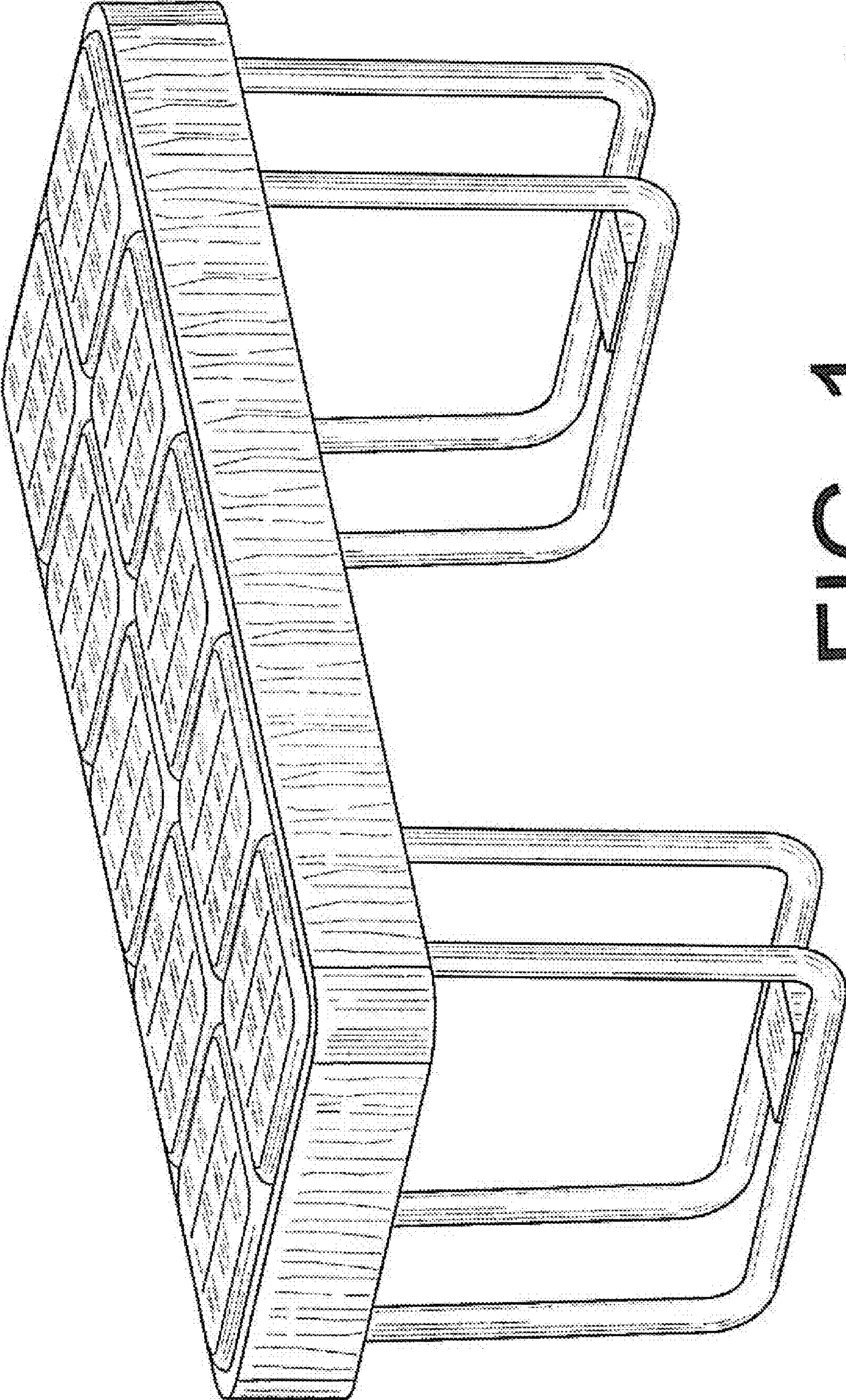


FIG. 1

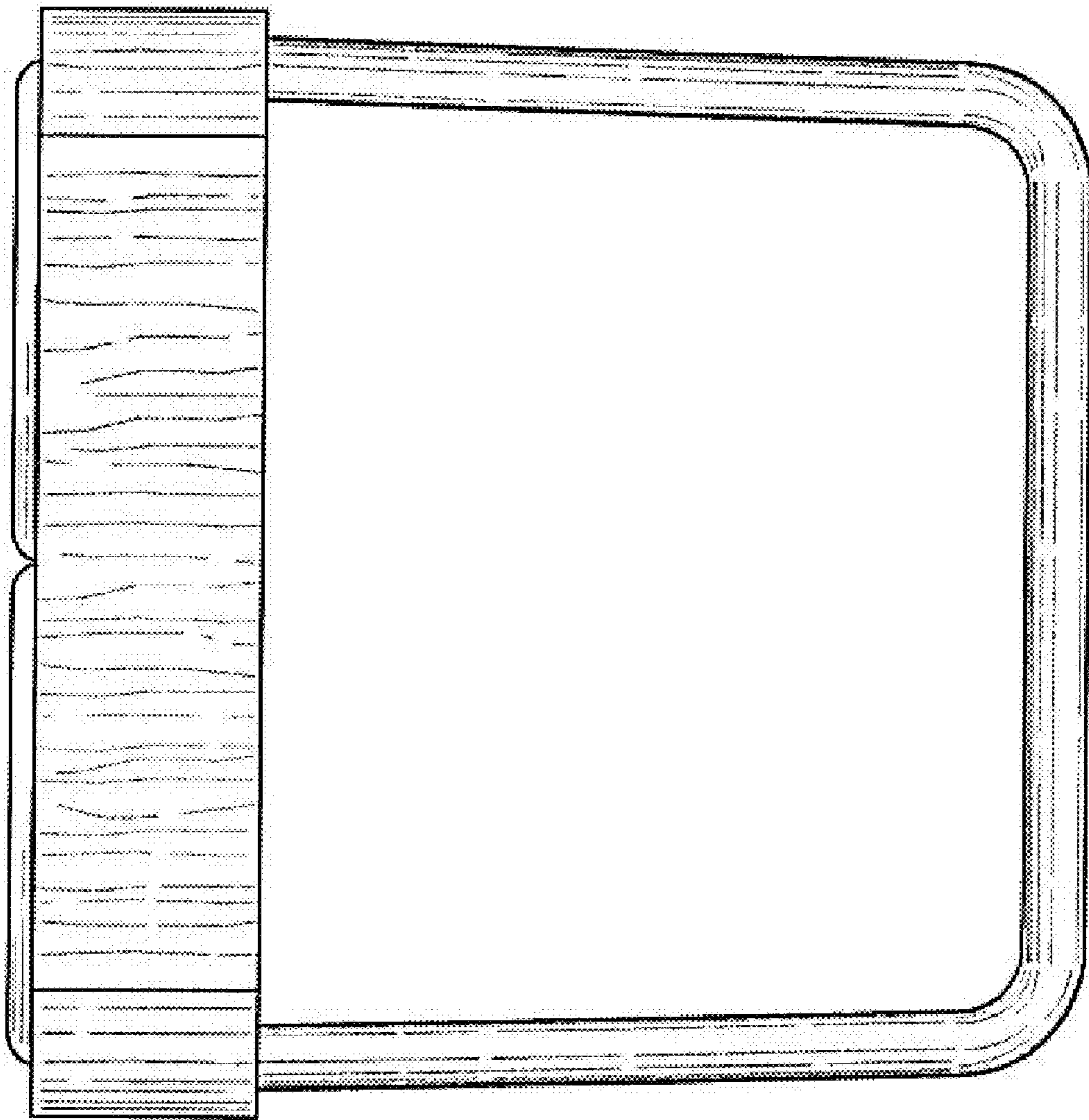


FIG. 2

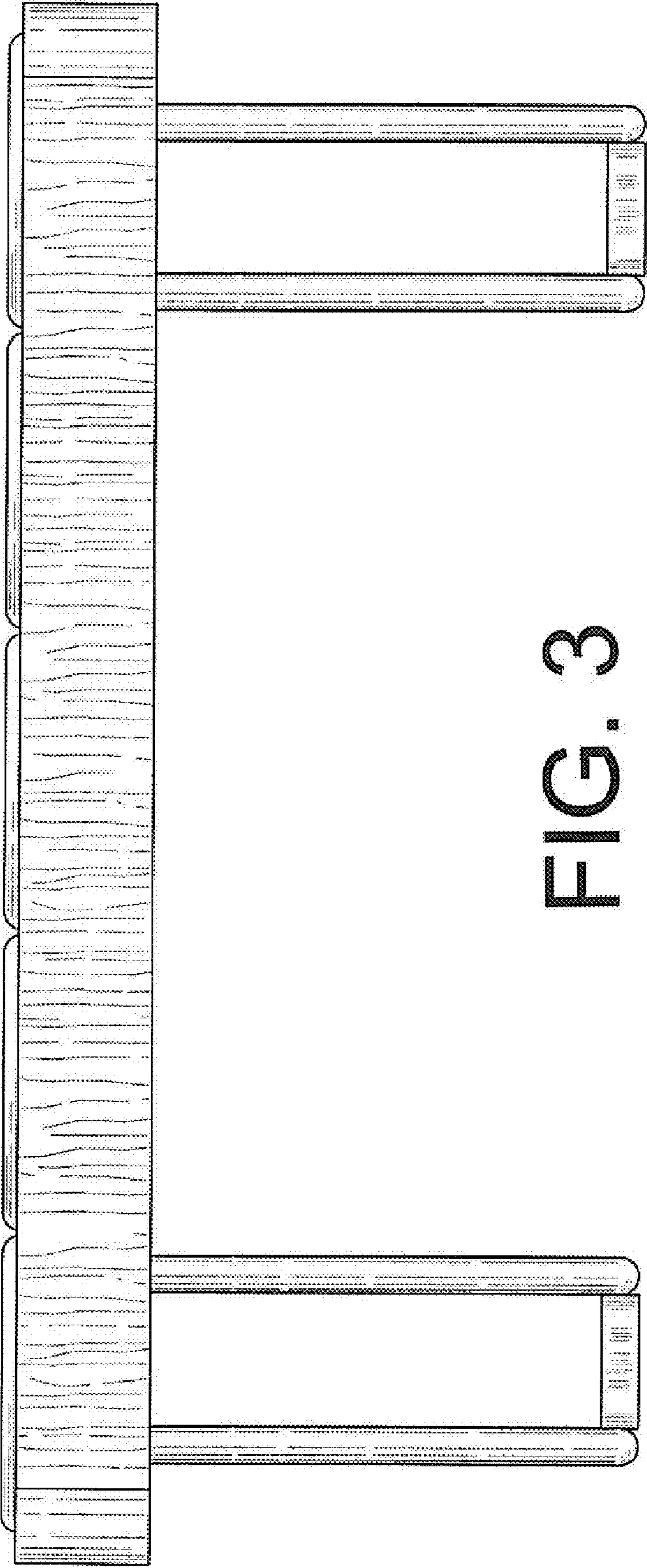


FIG. 3

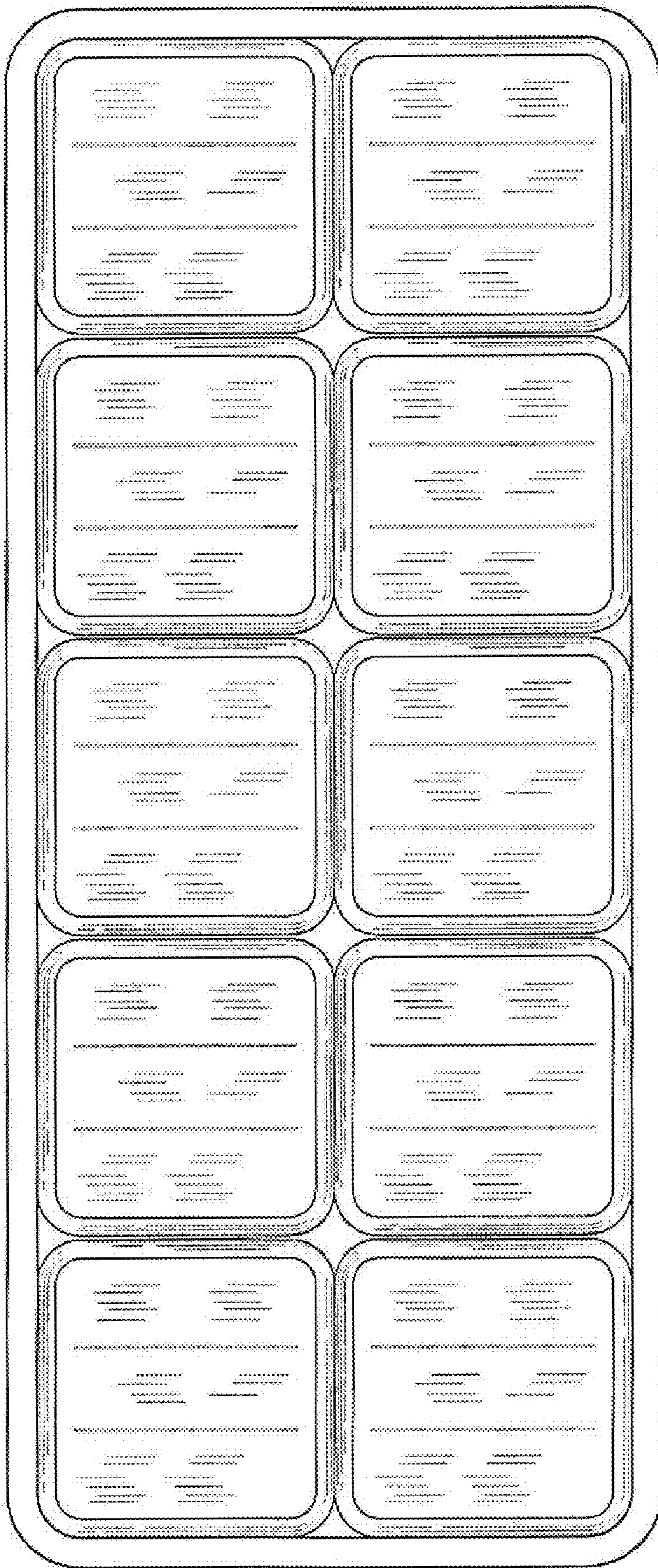


FIG. 4