



US00D613405S

(12) **United States Design Patent**
Sauer et al.

(10) **Patent No.:** **US D613,405 S**

(45) **Date of Patent:** **** Apr. 6, 2010**

(54) **SURGICAL SEWING INSTRUMENT**

(75) Inventors: **Michael Sauer**, Tuttlingen (DE);
Sebastian Frey,
Villingen-Schwenningen (DE)

(73) Assignee: **Karl Storz GmbH & Co. KG** (DE)

(**) Term: **14 Years**

(21) Appl. No.: **29/329,412**

(22) Filed: **Dec. 15, 2008**

(30) **Foreign Application Priority Data**

Jun. 16, 2008 (EM) 000953443

(51) **LOC (9) Cl.** **24-02**

(52) **U.S. Cl.** **D24/140; D24/133; D24/145**

(58) **Field of Classification Search** D24/133,
D24/140, 143, 145-147; D8/394, 387, 56,
D8/66, 72, 73, 80, 81; 606/164, 144, 139,
606/145-148, 142, 151, 157, 232-233, 236

See application file for complete search history.

(56) **References Cited**

U.S. PATENT DOCUMENTS

D296,470 S * 6/1988 Leopoldi D24/133
D359,355 S * 6/1995 Ferragamo et al. D24/145
D360,687 S * 7/1995 Ferragamo et al. D24/145
D360,688 S * 7/1995 Ferragamo et al. D24/145
5,665,096 A * 9/1997 Yoon 606/139
7,311,715 B2 * 12/2007 Sauer et al. 606/148

7,615,060 B2 * 11/2009 Stokes et al. 606/145
2006/0229642 A1 * 10/2006 Oberlaender et al. 606/148
2008/0091220 A1 * 4/2008 Chu 606/144
2008/0228224 A1 * 9/2008 Sauer et al. 606/233
2009/0112235 A1 * 4/2009 Frey et al. 606/146
2009/0247995 A1 * 10/2009 Bacher et al. 606/1

* cited by examiner

Primary Examiner—Ian Simmons

Assistant Examiner—Wan Laymon

(74) *Attorney, Agent, or Firm*—St. Onge Steward Johnston & Reens LLC

(57) **CLAIM**

The ornamental design for a surgical sewing instrument, as shown and described.

DESCRIPTION

FIG. 1 is a top isometric view of a surgical sewing instrument in accordance with the new design;

FIG. 2 is a left side view thereof;

FIG. 3 is a right side view thereof;

FIG. 4 is a top view thereof;

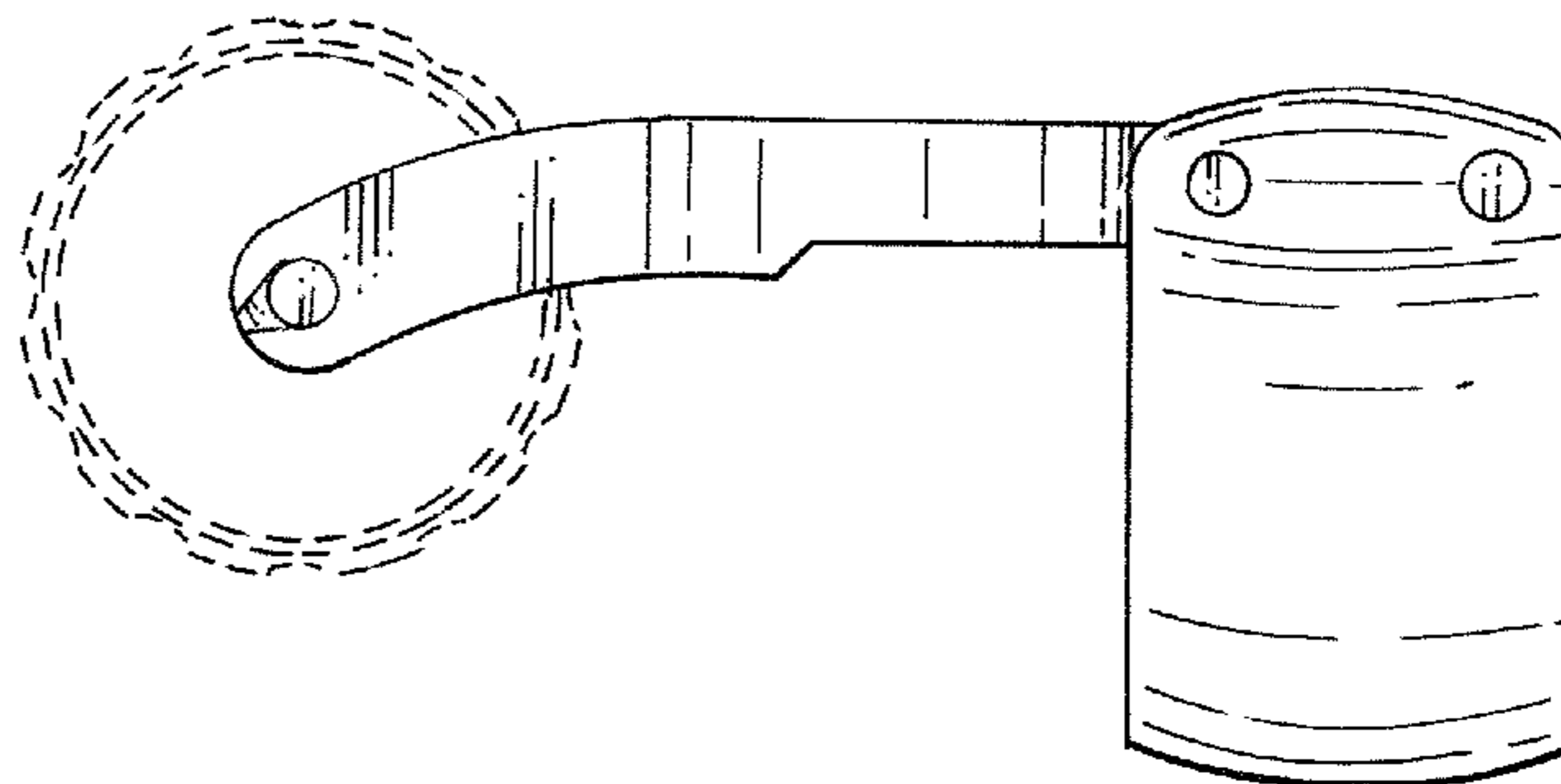
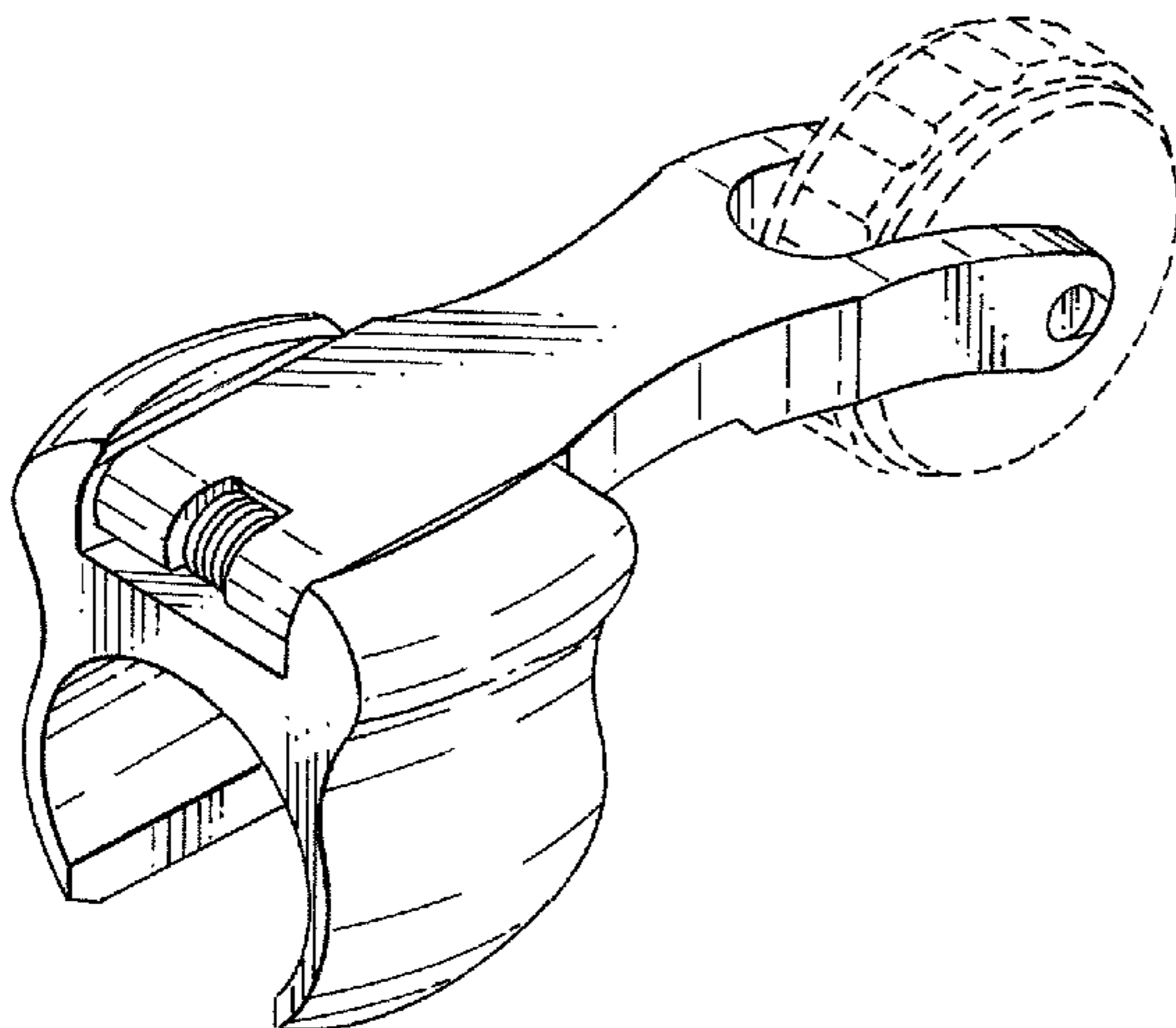
FIG. 5 is a bottom view thereof;

FIG. 6 is a front view thereof; and,

FIG. 7 is a rear view thereof.

The broken line showing portions of a surgical sewing instrument is included for illustrating environmental structure and forms no part of the claimed design.

1 Claim, 3 Drawing Sheets



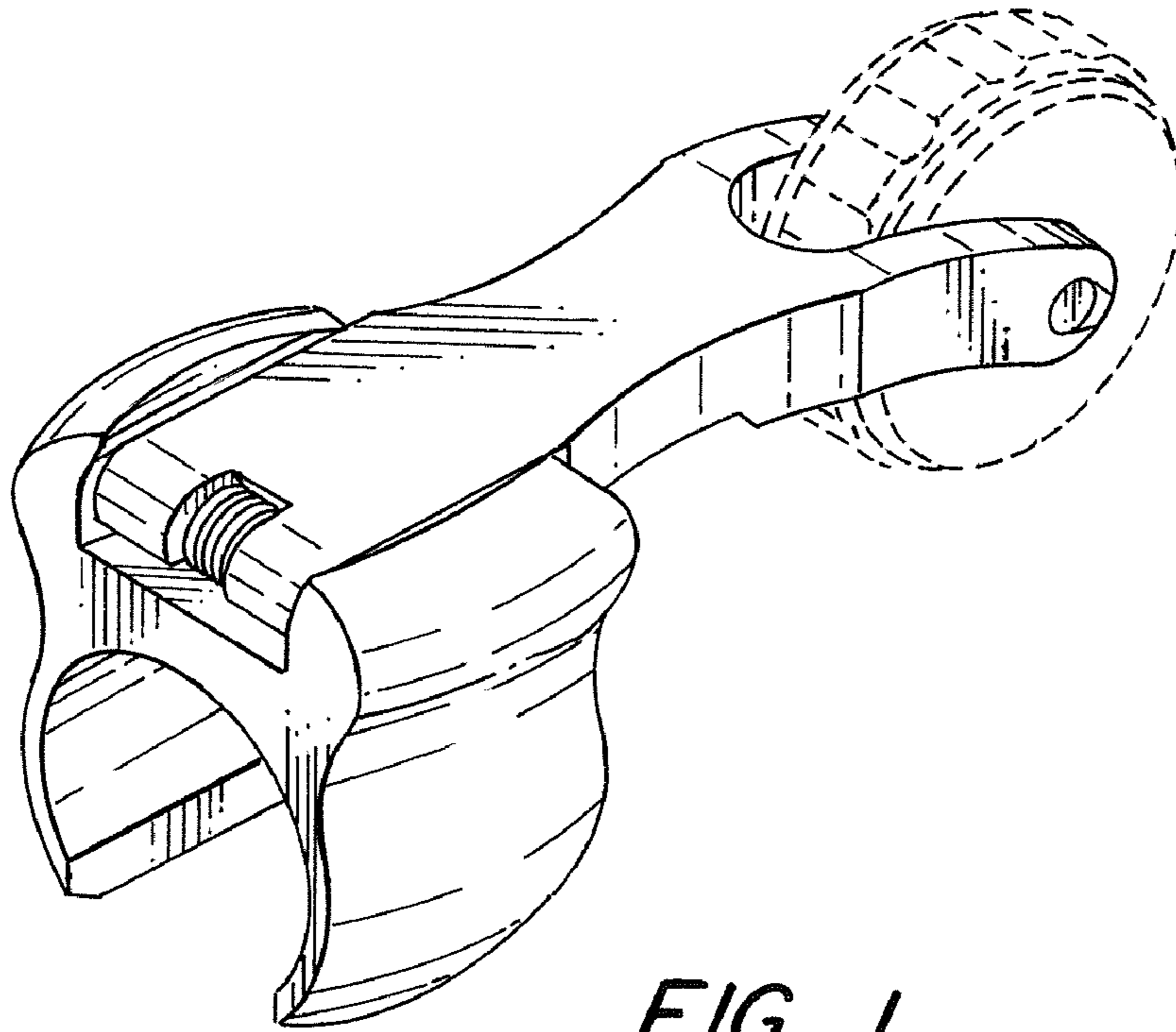


FIG. 1

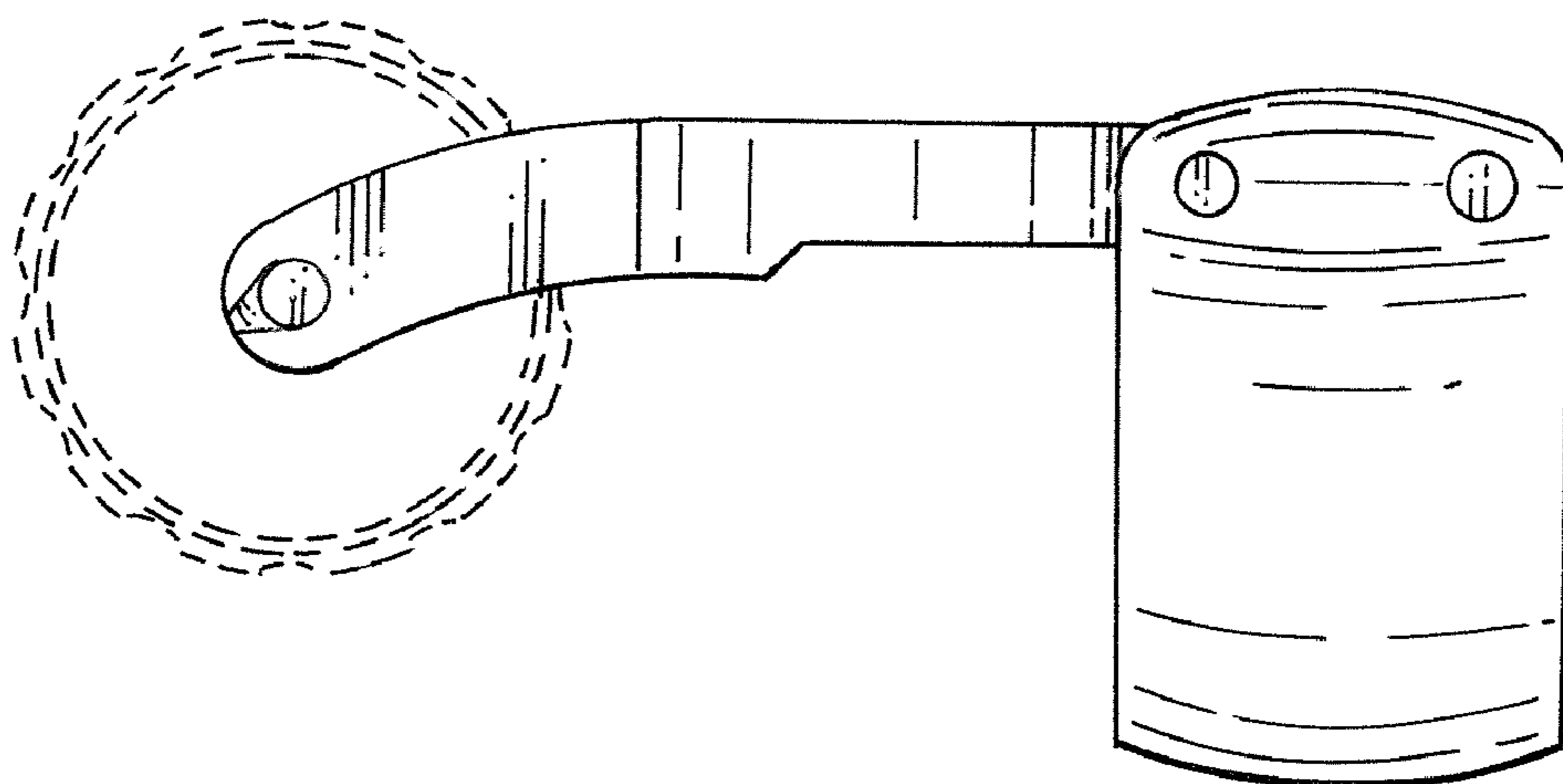


FIG. 2

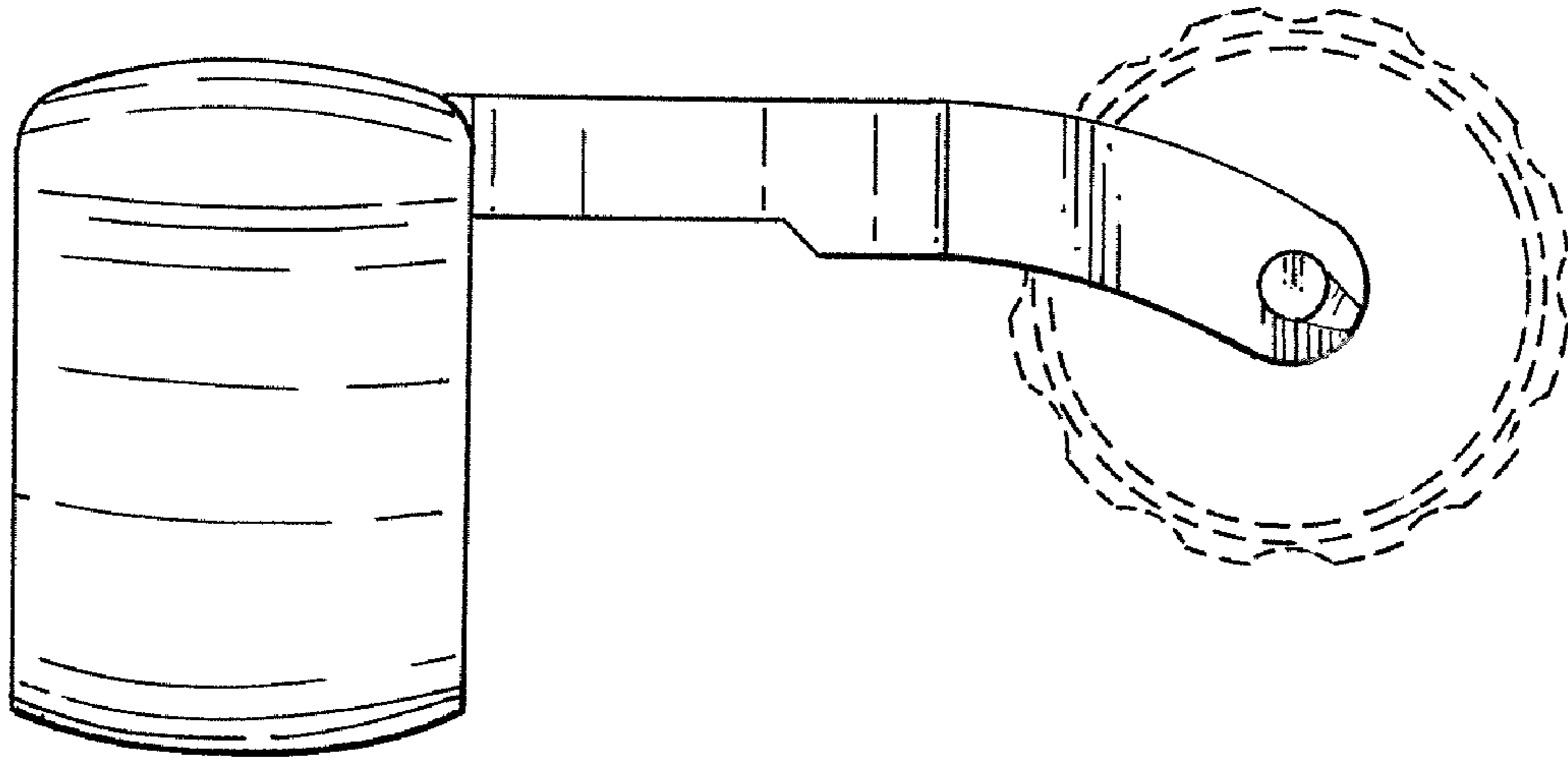


FIG. 3

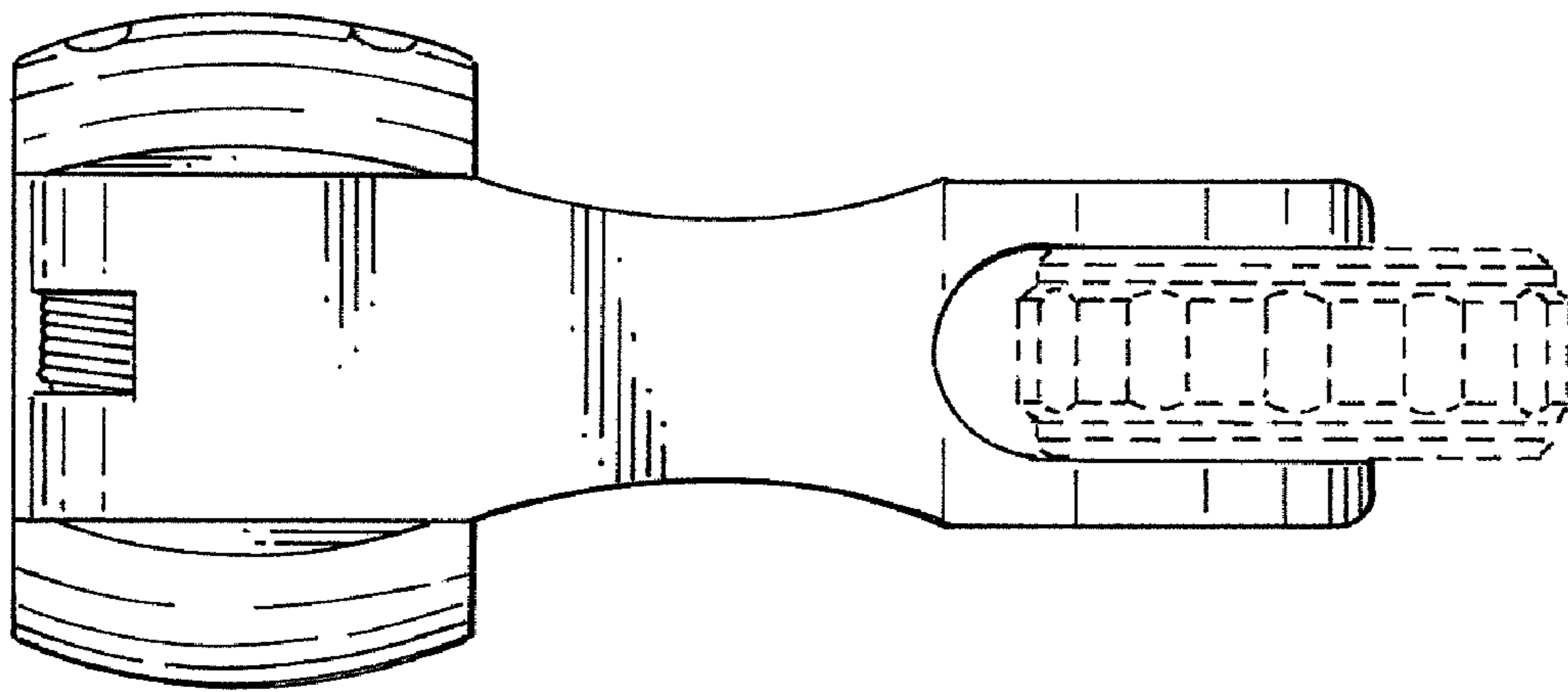


FIG. 4

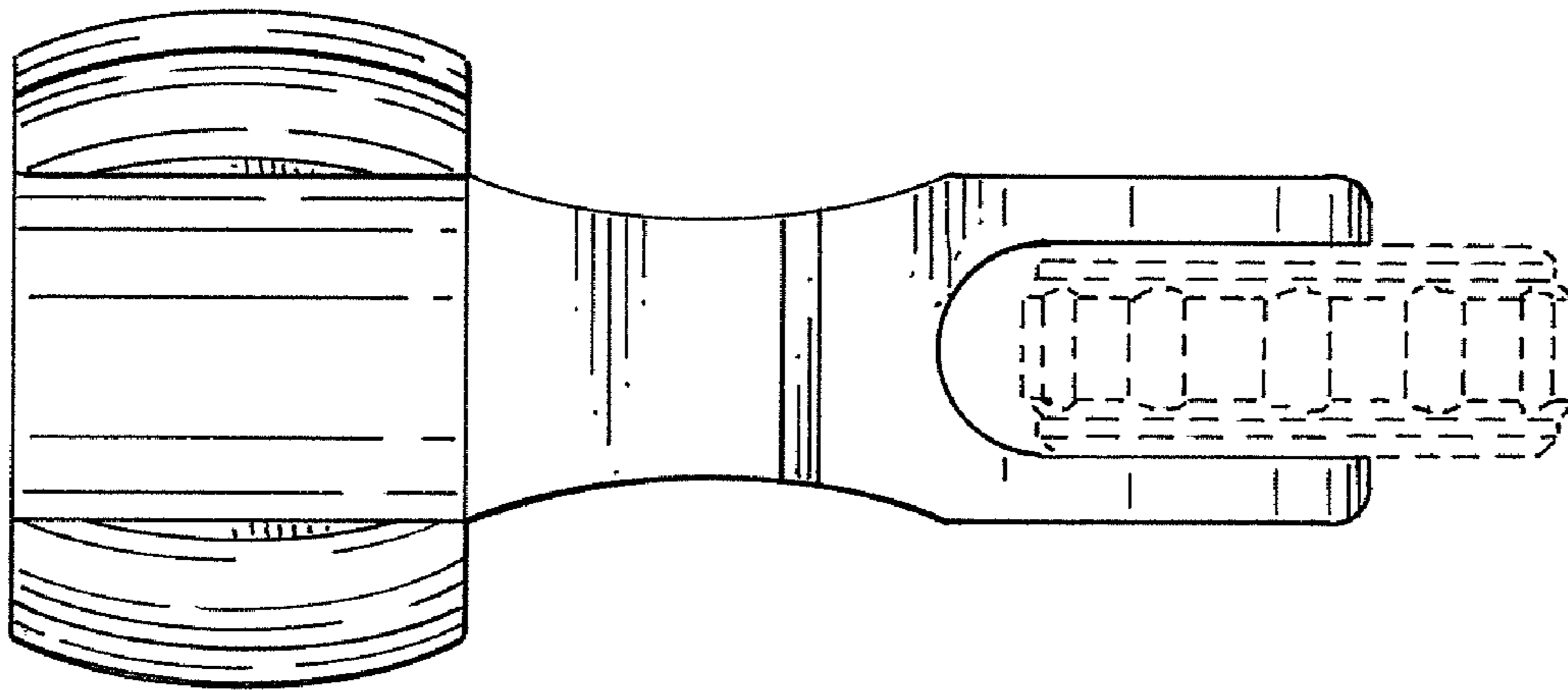


FIG. 5

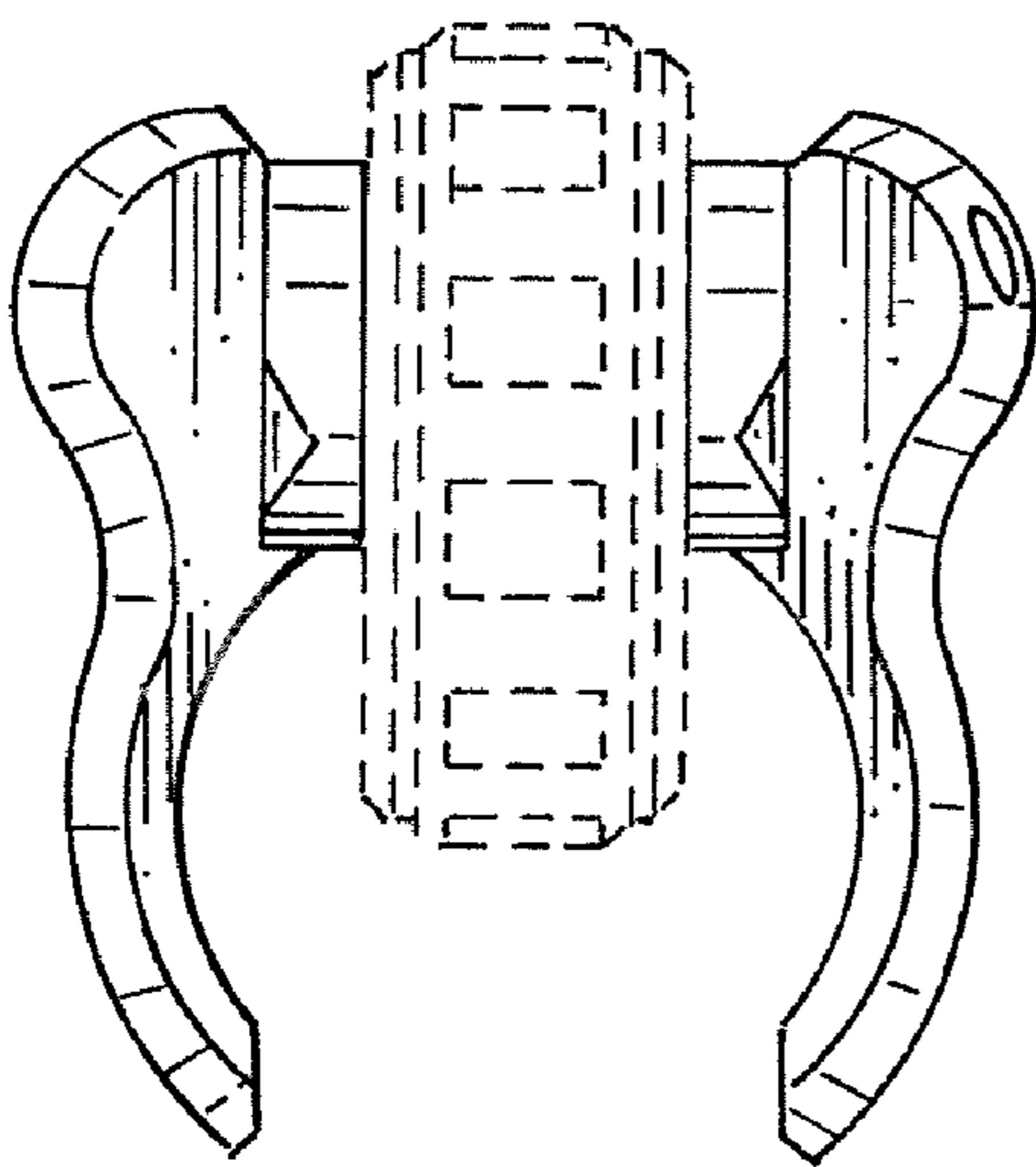


FIG. 6

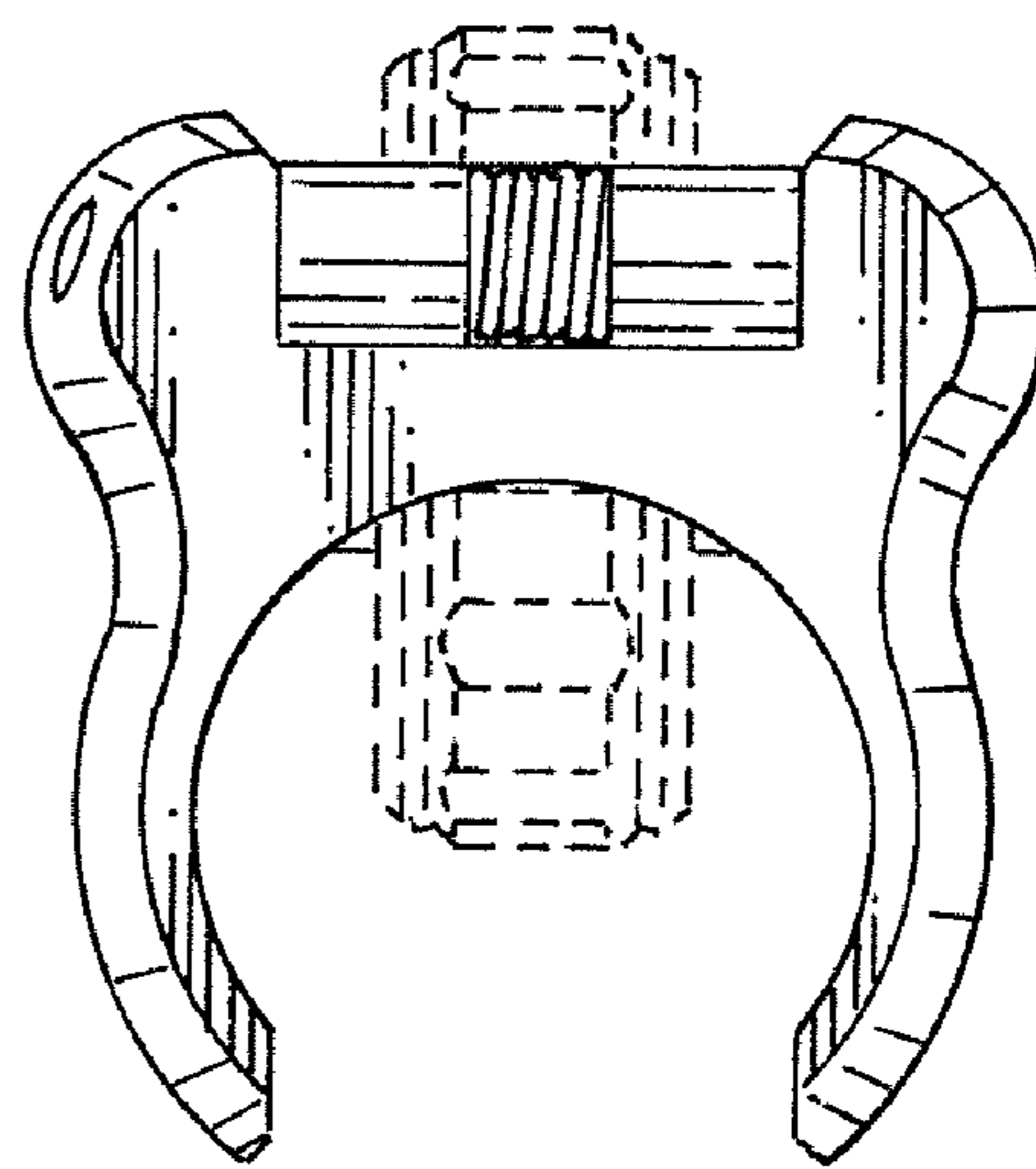


FIG. 7