



US00D613402S

(12) **United States Design Patent**  
**Roberts et al.**

(10) **Patent No.:** **US D613,402 S**  
(45) **Date of Patent:** **\*\* Apr. 6, 2010**

(54) **EYE VIEWING DEVICE**

(75) Inventors: **Chris R. Roberts**, Skaneateles, NY (US);  
**Steven R. Slawson**, Camillus, NY (US);  
**Scott P. Gucciardi**, Syracuse, NY (US);  
**Scott W. Osiecki**, Skaneateles, NY (US);  
**Timothy R. Fitch**, Syracuse, NY (US);  
**Ronald J. Kingston**, Syracuse, NY (US)

(73) Assignee: **Welch Allyn, Inc.**, Skaneateles Falls, NY (US)

(\*\*) Term: **14 Years**

(21) Appl. No.: **29/207,233**

(22) Filed: **Jun. 10, 2004**

**Related U.S. Application Data**

(63) Continuation of application No. 29/191,781, filed on Oct. 14, 2003, now abandoned, which is a continuation of application No. 29/179,826, filed on Apr. 15, 2003, now abandoned, which is a continuation of application No. 29/164,912, filed on Aug. 2, 2002, now abandoned, which is a continuation of application No. 29/151,745, filed on Nov. 13, 2002, now abandoned, which is a continuation of application No. 29/137,181, filed on Feb. 14, 2001, now abandoned.

(51) **LOC (9) Cl.** ..... **24-02**

(52) **U.S. Cl.** ..... **D24/137**

(58) **Field of Classification Search** ..... D24/137,  
D24/138, 150, 172; 351/205, 200, 216, 219,  
351/221, 218; 359/600; 600/200, 175  
See application file for complete search history.

(56) **References Cited**

**U.S. PATENT DOCUMENTS**

D288,960 S \* 3/1987 Riester ..... D24/137

(Continued)

**FOREIGN PATENT DOCUMENTS**

EP 1 152 687 B1 9/2004

(Continued)

**OTHER PUBLICATIONS**

U.S. Appl. No. 09/783,224, filed Feb. 14, 2001.

(Continued)

*Primary Examiner*—Ian Simmons

*Assistant Examiner*—Christopher Lee

(74) *Attorney, Agent, or Firm*—Hiscock & Barclay, LLP

(57) **CLAIM**

The ornamental design for an eye viewing device, as shown and described.

**DESCRIPTION**

FIG. 1 is a first perspective view of an eye viewing device, according to the invention;

FIG. 2 is a second perspective view of an eye viewing device according to the invention;

FIG. 3 is a first side elevation view of an eye viewing device according to the invention;

FIG. 4 is a second side elevation view of an eye viewing device according to the invention;

FIG. 5 is a front view of an eye viewing device according to the invention;

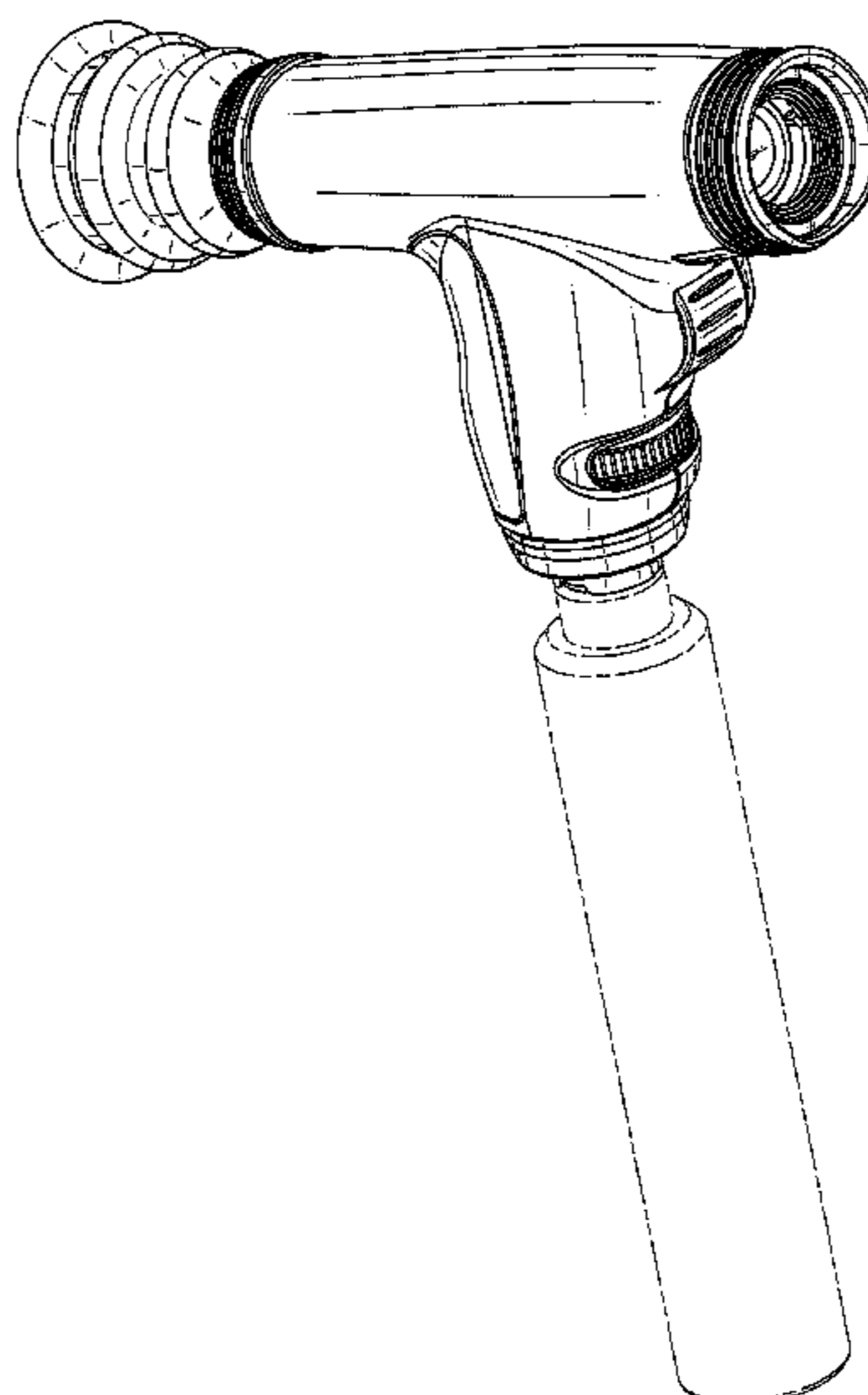
FIG. 6 is a rear view of an eye viewing device according to the invention;

FIG. 7 is a top view of an eye viewing device according to the invention; and,

FIG. 8 is a bottom view of an eye viewing device according to the invention.

The broken lines in FIGS. 1 through 6 and FIG. 8 are included for the purpose of illustrating a portion of the eye viewing device that forms no part of the claimed design.

**1 Claim, 6 Drawing Sheets**



# US D613,402 S

Page 2

## U.S. PATENT DOCUMENTS

6,065,837 A 5/2000 Goldfain et al.  
6,390,625 B1 \* 5/2002 Slawson et al. .... 351/216  
6,409,341 B1 \* 6/2002 Goldfain et al. .... 351/205  
6,527,390 B2 \* 3/2003 Goldfain et al. .... 351/200  
6,637,882 B1 \* 10/2003 Goldfain et al. .... 351/205  
D493,528 S 7/2004 Roberts et al.  
D493,887 S 8/2004 Roberts et al.  
6,830,347 B2 \* 12/2004 Slawson et al. .... 359/600  
2002/0089644 A1 7/2002 Goldfain et al.  
2002/0097379 A1 \* 7/2002 Goldfain et al. .... 351/221  
2003/0063386 A1 \* 4/2003 Slawson et al. .... 359/600  
2003/0098952 A1 \* 5/2003 Goldfain et al. .... 351/200

2004/0119941 A1\* 6/2004 Goldfain et al. .... 351/205

## FOREIGN PATENT DOCUMENTS

WO WO 00/30527 6/2000

## OTHER PUBLICATIONS

U.S. Appl. No. 29/176,283, filed Feb. 19, 2003.  
U.S. Appl. No. 29/169,936, filed Oct. 29, 2002.  
www.DELPHION.COM, Internet Search of US20020097379A1:  
Eye Viewing Device Comprising Eyepiece and Video Capture  
Optics. "Patent Family" Internet Search Dated Oct. 27, 2004 (4  
pages). Reference summarizes data.

\* cited by examiner

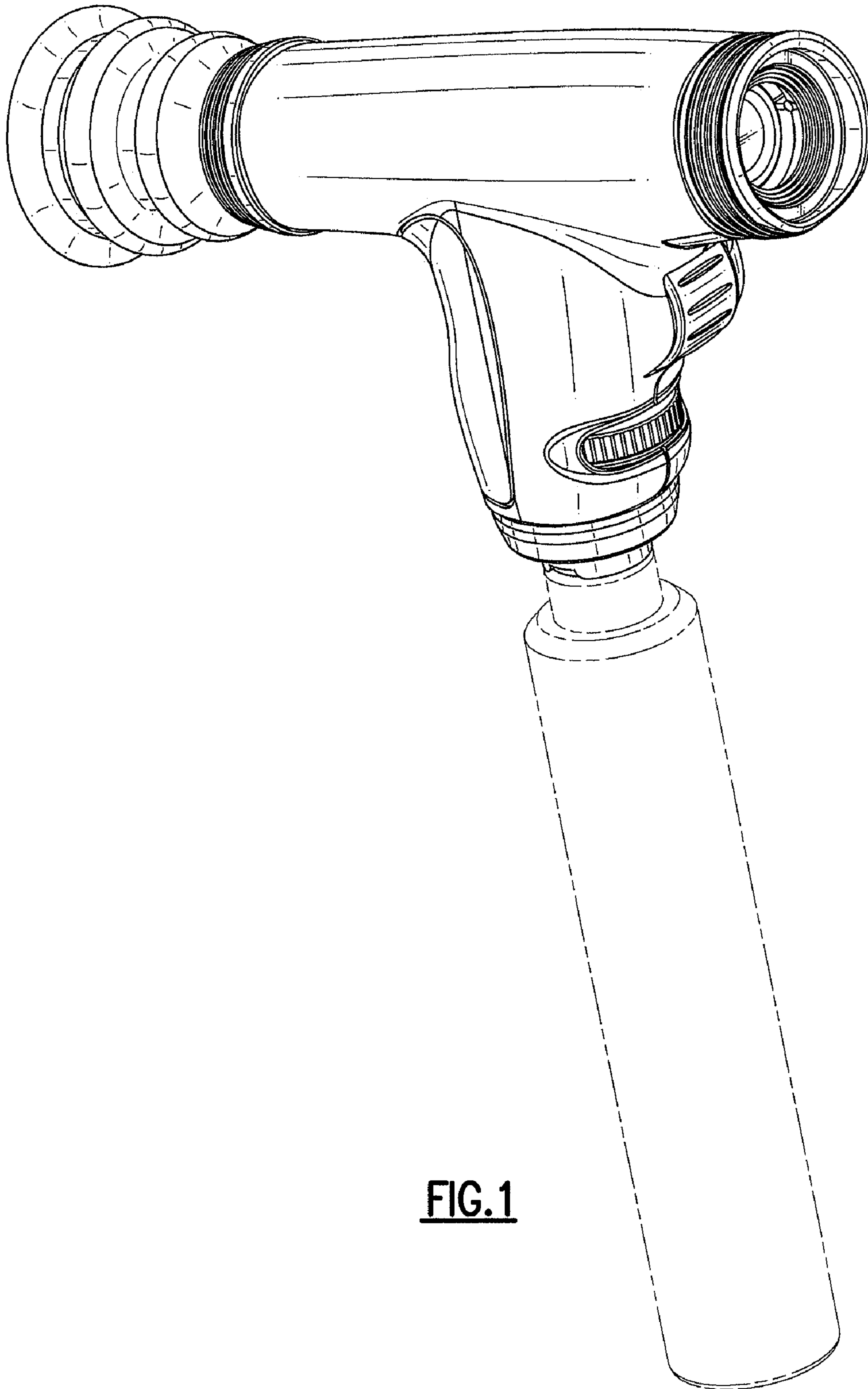
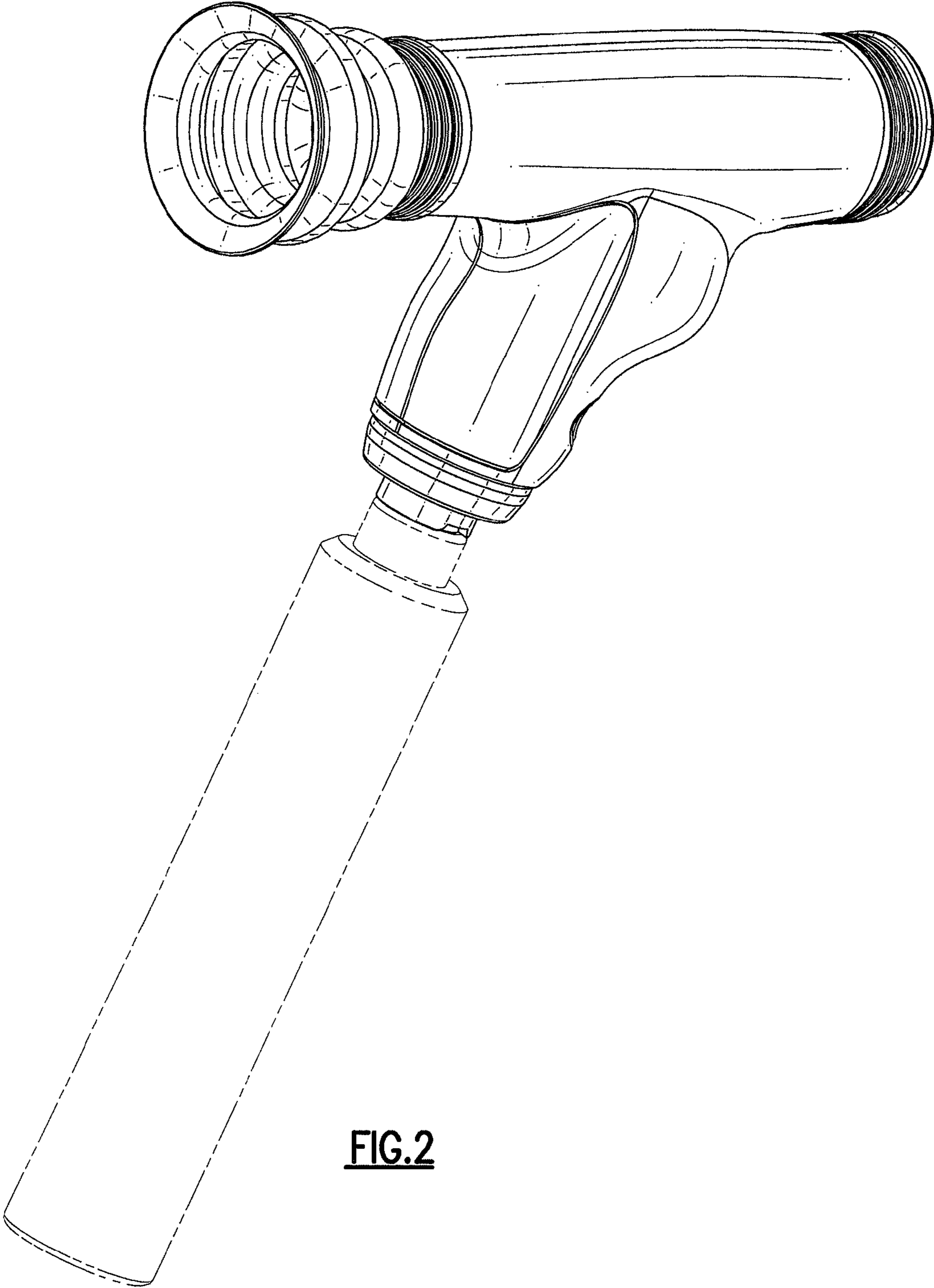
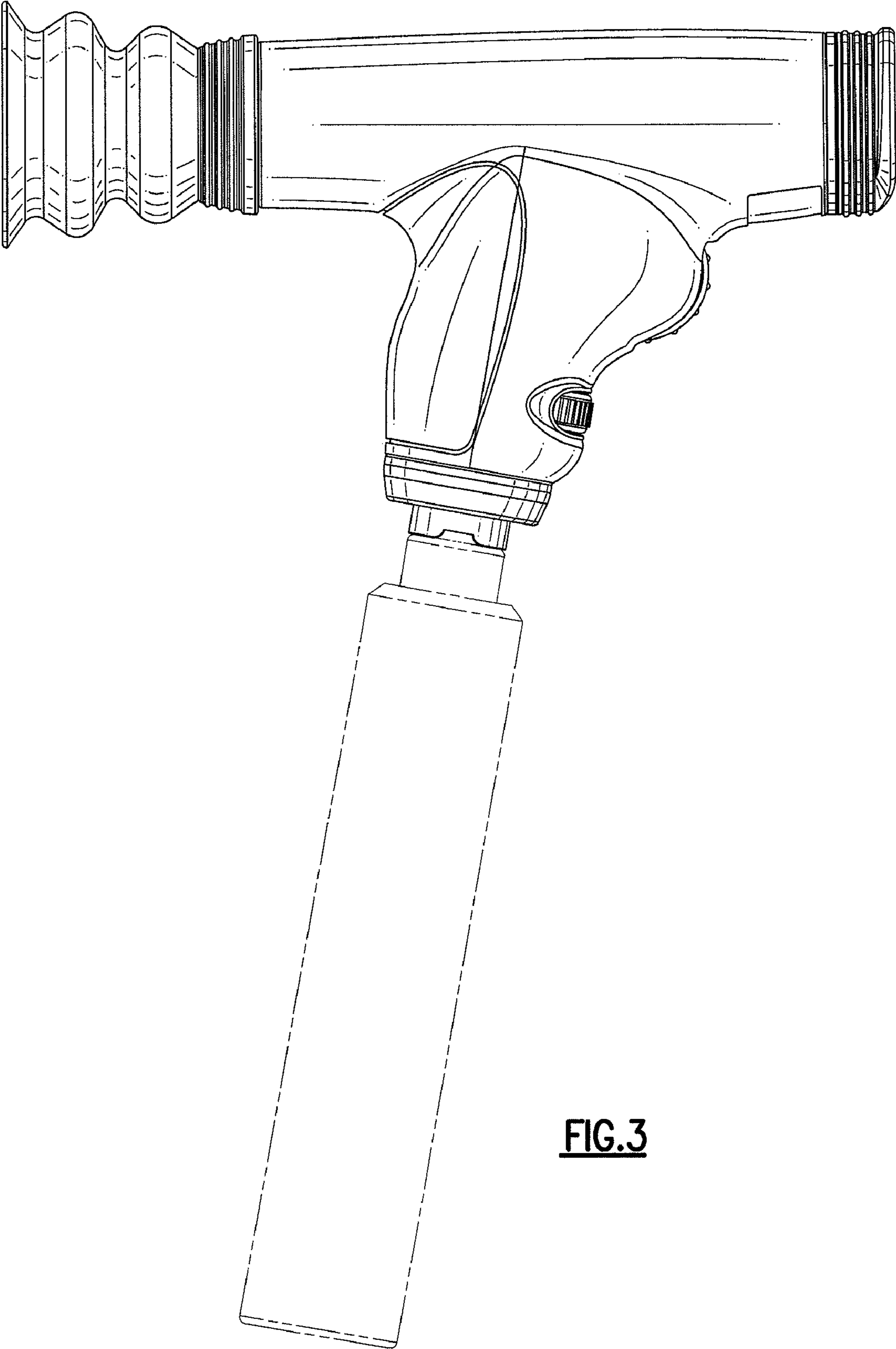


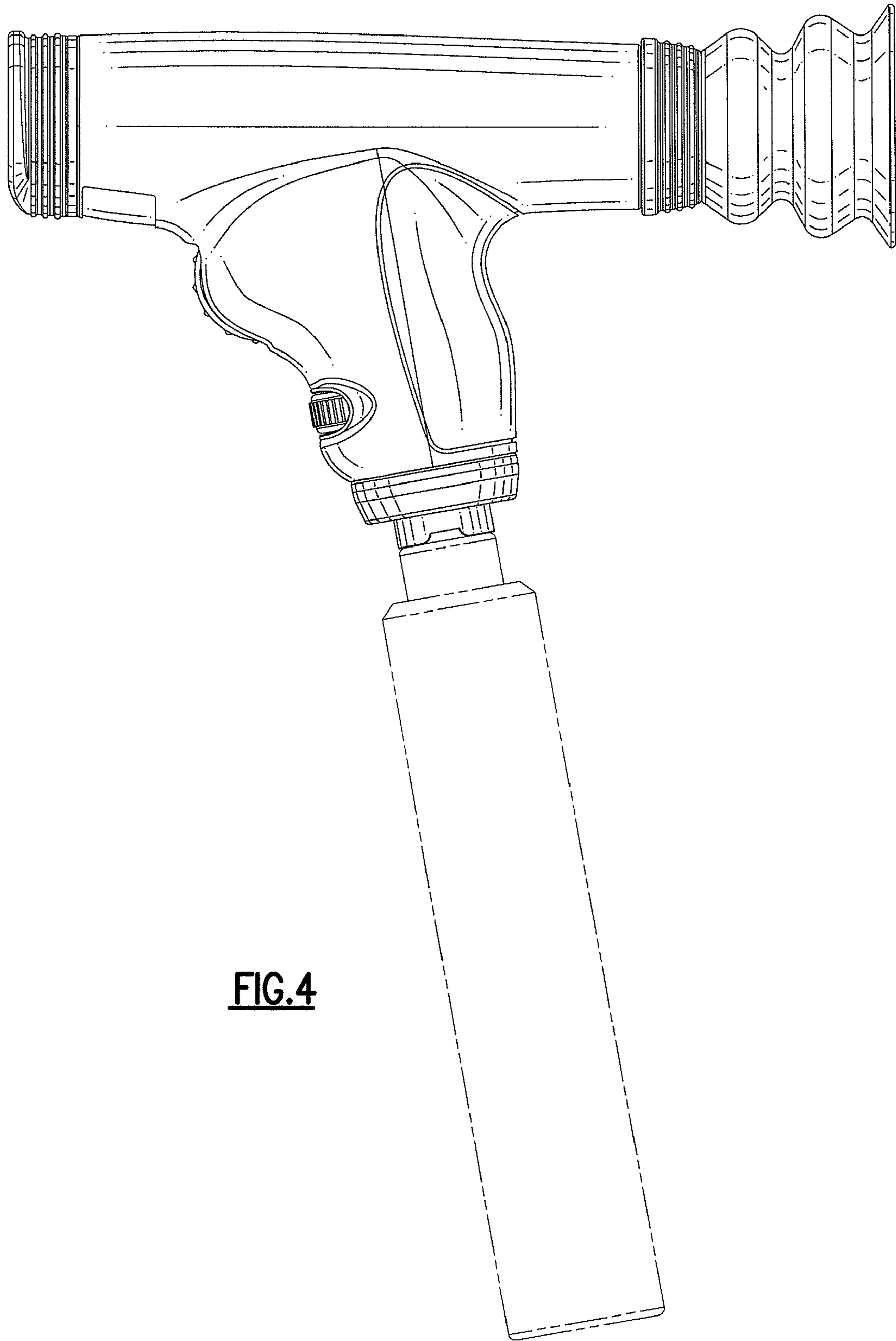
FIG. 1



**FIG. 2**







**FIG.4**

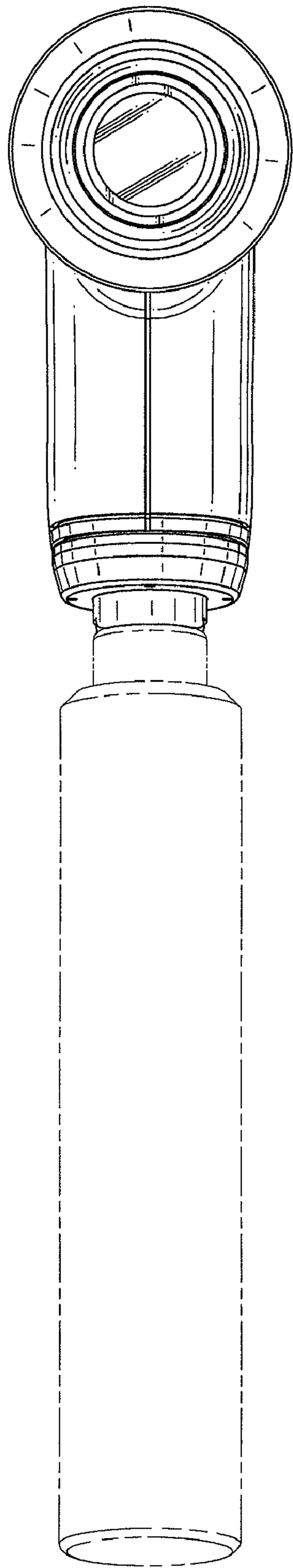


FIG.5

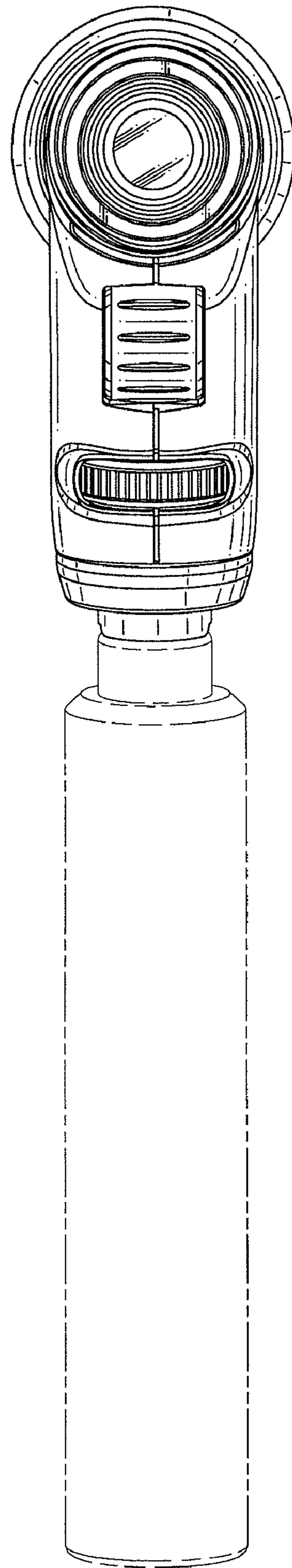


FIG.6

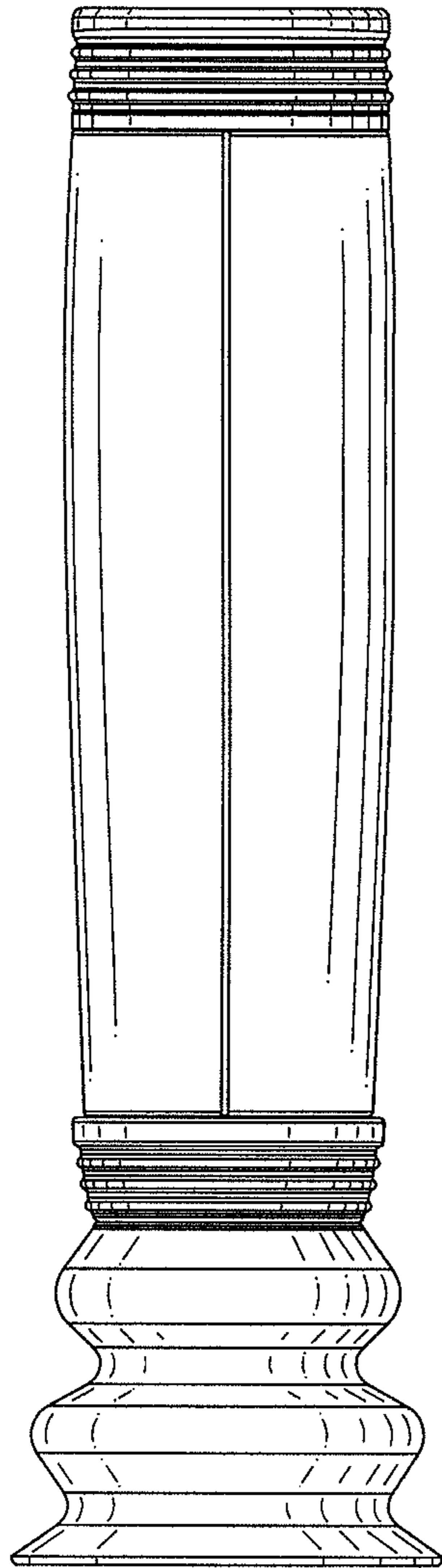


FIG. 7

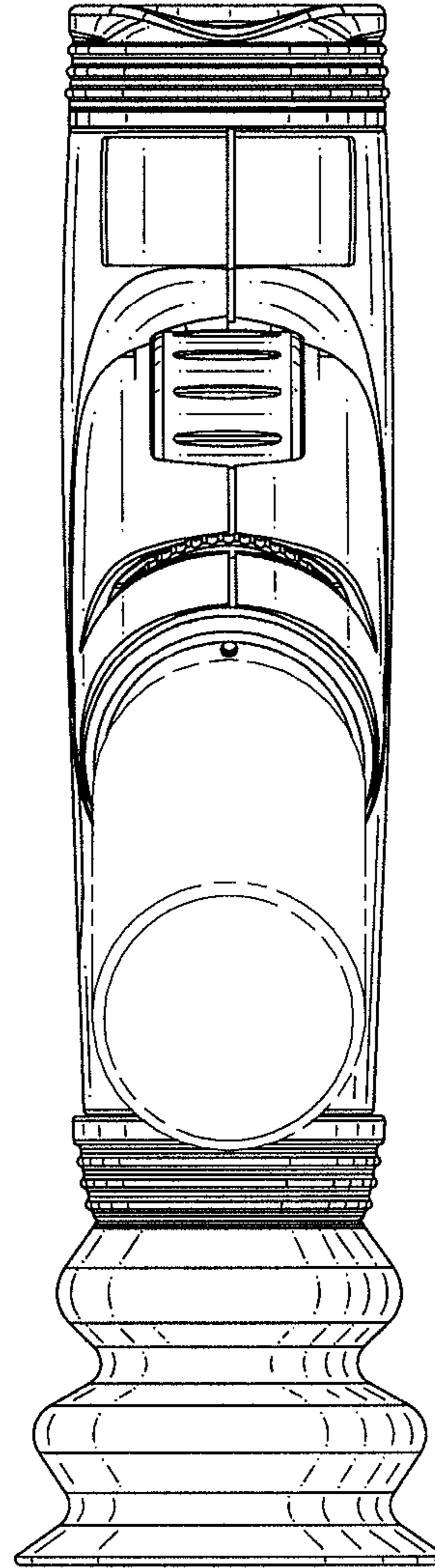


FIG. 8