



US00D613400S

(12) **United States Design Patent**  
**Hunter et al.**

(10) **Patent No.:** **US D613,400 S**  
(45) **Date of Patent:** **\*\* Apr. 6, 2010**

(54) **OVERCAP FOR INJECTOR**

D371,195 S \* 6/1996 Krebs ..... D24/112  
5,685,862 A 11/1997 Mahurkar ..... 604/194

(75) Inventors: **Mark W. Hunter**, Webster Groves, MO (US); **Heath A. Doty**, Webster Groves, MO (US); **Bryce G. Rutter**, St. Louis, MO (US); **Melvin J. Leedle**, St. Louis, MO (US)

(Continued)

FOREIGN PATENT DOCUMENTS

KR 30-0289753 1/2002

(Continued)

(73) Assignee: **Bristol-Myers Squibb Company**, Princeton, NJ (US)

OTHER PUBLICATIONS

(\*\*) Term: **14 Years**

Abbott Laboratories, Humira Pen Injector Product Description (circa 2006).

(21) Appl. No.: **29/348,228**

*Primary Examiner*—Elizabeth A Albert

*Assistant Examiner*—Karen E Eldridge Powers

(22) Filed: **Dec. 9, 2009**

(74) *Attorney, Agent, or Firm*—McDonnell Boehnen Hulbert & Berghoff LLP

**Related U.S. Application Data**

(62) Division of application No. 29/273,931, filed on Mar. 15, 2007.

(57) **CLAIM**

The ornamental design for an overcap for injector, as shown and described.

(51) **LOC (9) Cl.** ..... **24-02**

(52) **U.S. Cl.** ..... **D24/130**

(58) **Field of Classification Search** ..... D19/35, D19/36, 41, 43, 44, 45, 46, 47, 48, 49, 50, D19/51, 54, 55, 56, 57; D24/108, 112, 113, D24/114, 130, 133, 138, 146, 147; 604/187, 604/188, 189, 197, 198, 207, 208, 227, 299, 604/232; 606/181, 185

**DESCRIPTION**

FIG. 1 is a perspective view of an overcap for injector showing the design.

FIG. 2 is an end view of the design of FIG. 1, showing the top end visible in FIG. 1.

FIG. 3 is a side elevation view showing the design of FIG. 1; and,

FIG. 4 is a side elevation view in a direction rotated 90 degrees from the view of FIG. 3 showing the design of FIG. 1.

Nature and intended use of the article in which the design is embodied: A protective overcap for an injector for administering an injection into a human or animal subject; the overcap is removed prior to administration of the injection.

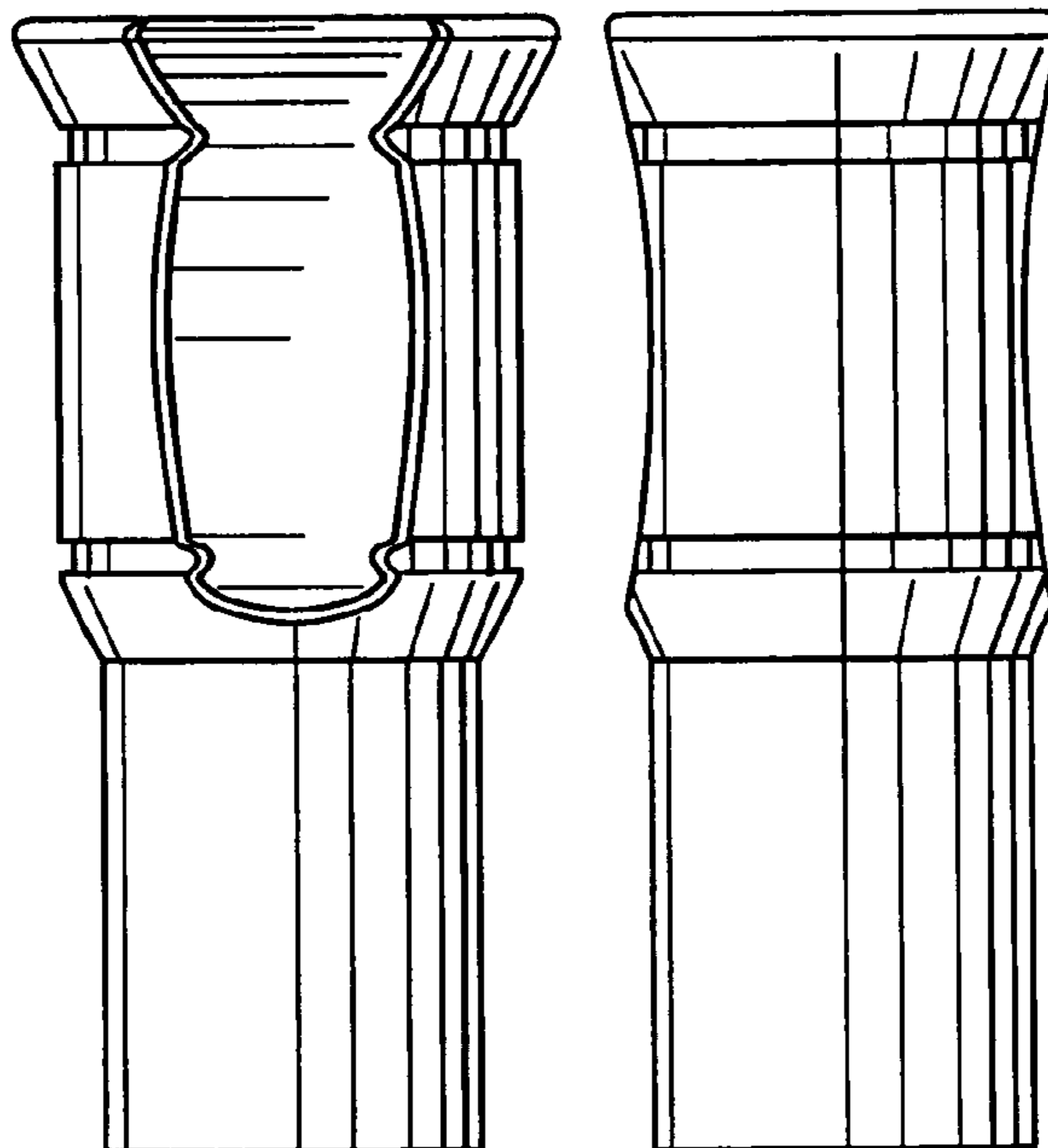
See application file for complete search history.

(56) **References Cited**

U.S. PATENT DOCUMENTS

2,254,449 A \* 9/1941 Rasmussen ..... 604/211  
3,115,133 A \* 12/1963 Morando ..... 604/70  
4,801,295 A 1/1989 Spencer ..... 604/198  
5,000,740 A \* 3/1991 Ducharme et al. .... 604/162  
5,219,339 A \* 6/1993 Saito ..... 604/198

**1 Claim, 1 Drawing Sheet**



# US D613,400 S

Page 2

## U.S. PATENT DOCUMENTS

D418,917 S \* 1/2000 Duchon et al. .... D24/113  
D443,356 S \* 6/2001 Pajunk et al. .... D24/112  
D446,578 S \* 8/2001 Jansen et al. .... D24/114  
D447,231 S \* 8/2001 Fu et al. .... D24/121  
6,776,776 B2 \* 8/2004 Alchas et al. .... 604/198  
D542,914 S \* 5/2007 Tanghoj ..... D24/112  
2005/0096595 A1 5/2005 Restelli et al. .... 604/198  
2005/0261634 A1 11/2005 Karlsson ..... 604/197  
2005/0277895 A1 12/2005 Giambattista et al. .... 604/198  
2005/0283115 A1 12/2005 Giambattista et al. .... 604/110  
2007/0203458 A1 \* 8/2007 Tsubota ..... 604/198  
2008/0228147 A1 \* 9/2008 David-Hegerich et al. .. 604/198

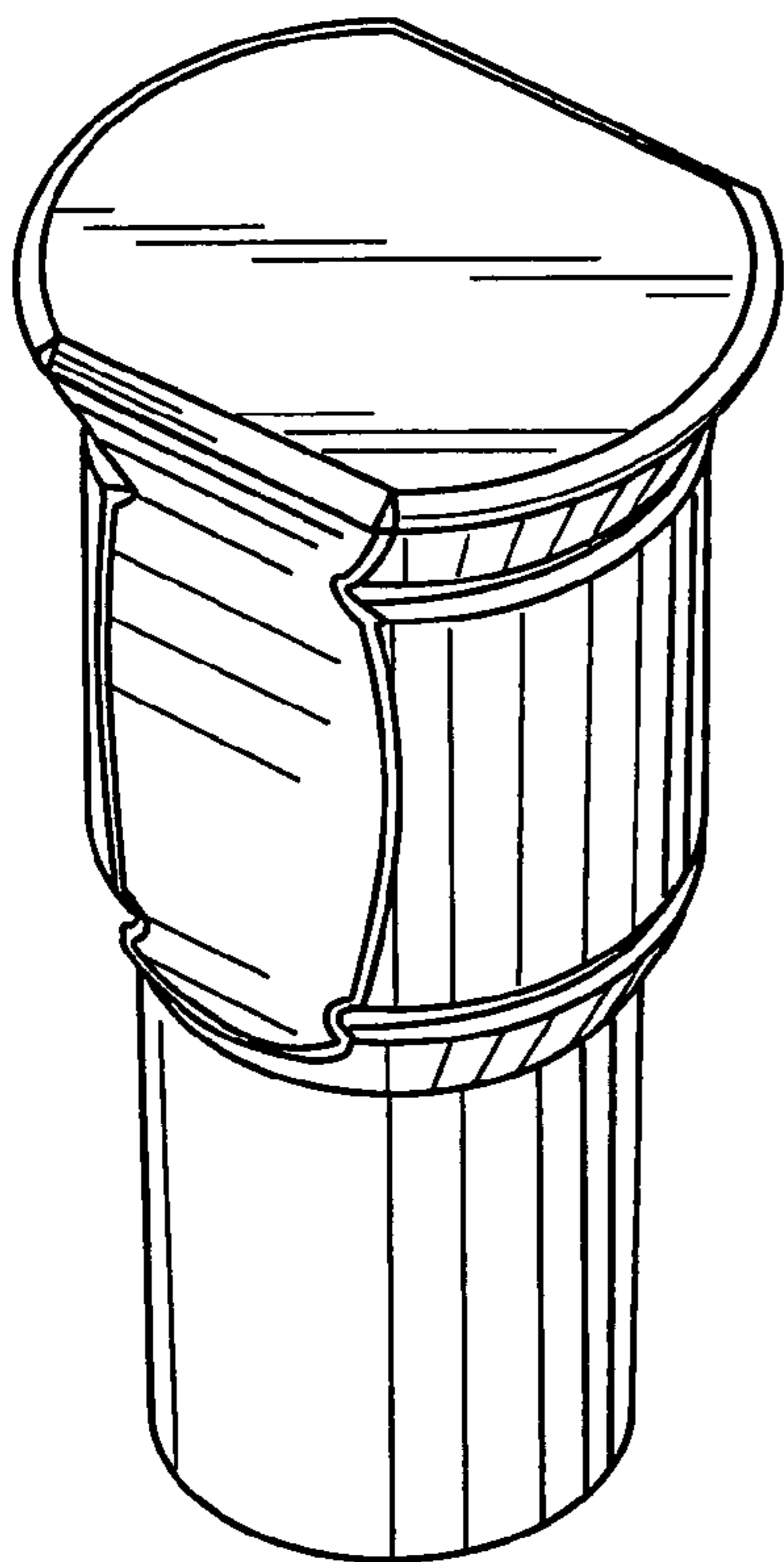
2008/0269692 A1 \* 10/2008 James et al. .... 604/198  
2009/0312717 A1 \* 12/2009 Christiansen ..... 604/232

## FOREIGN PATENT DOCUMENTS

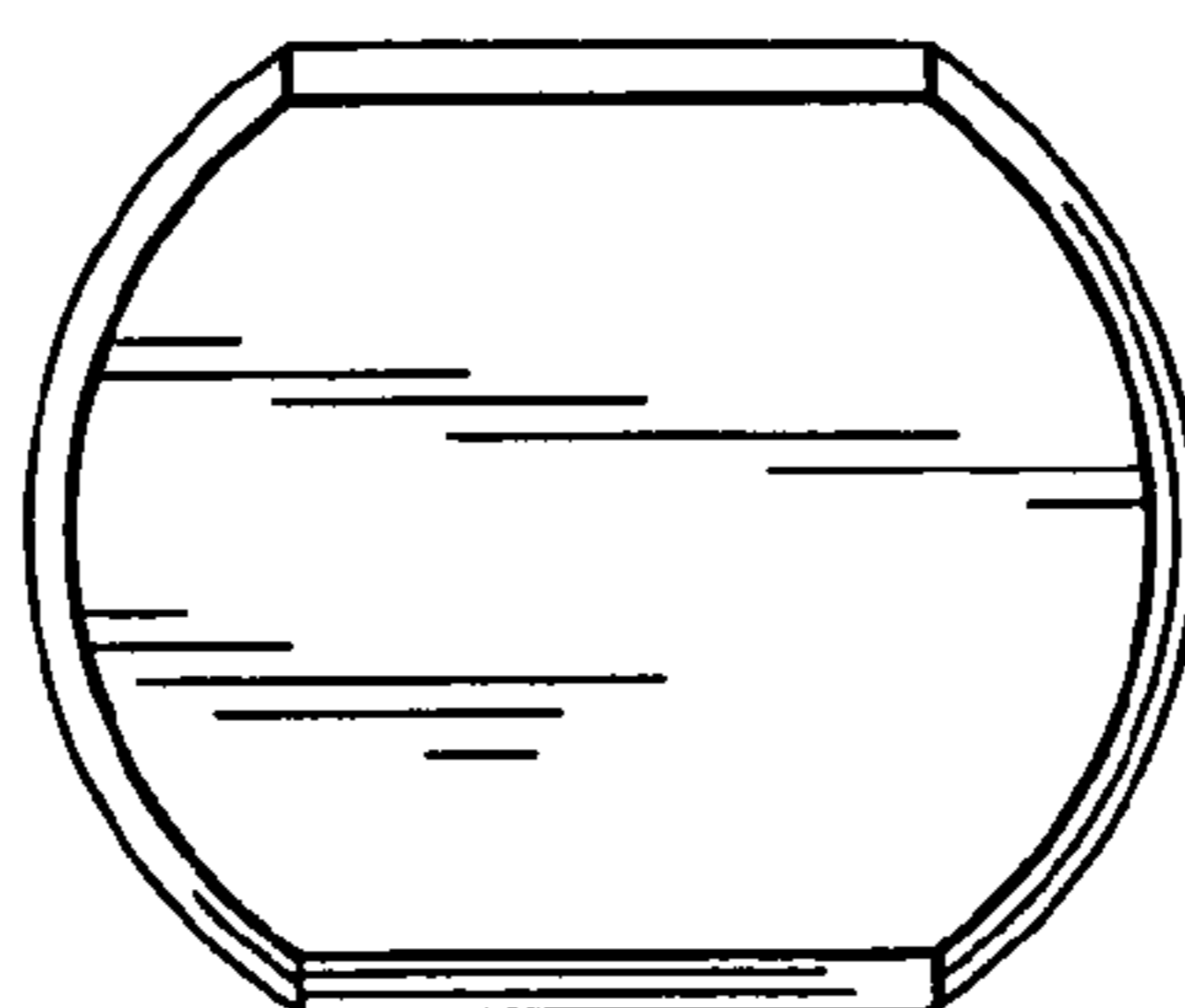
KR 30-0451541 5/2007  
TW 400091 7/2000 ..... 19/261  
TW 404756 9/2000 ..... 19/261  
TW 464342 11/2001 ..... 19/261  
TW 537840 6/2003  
TW 559533 10/2003  
TW D114434 12/2006

\* cited by examiner

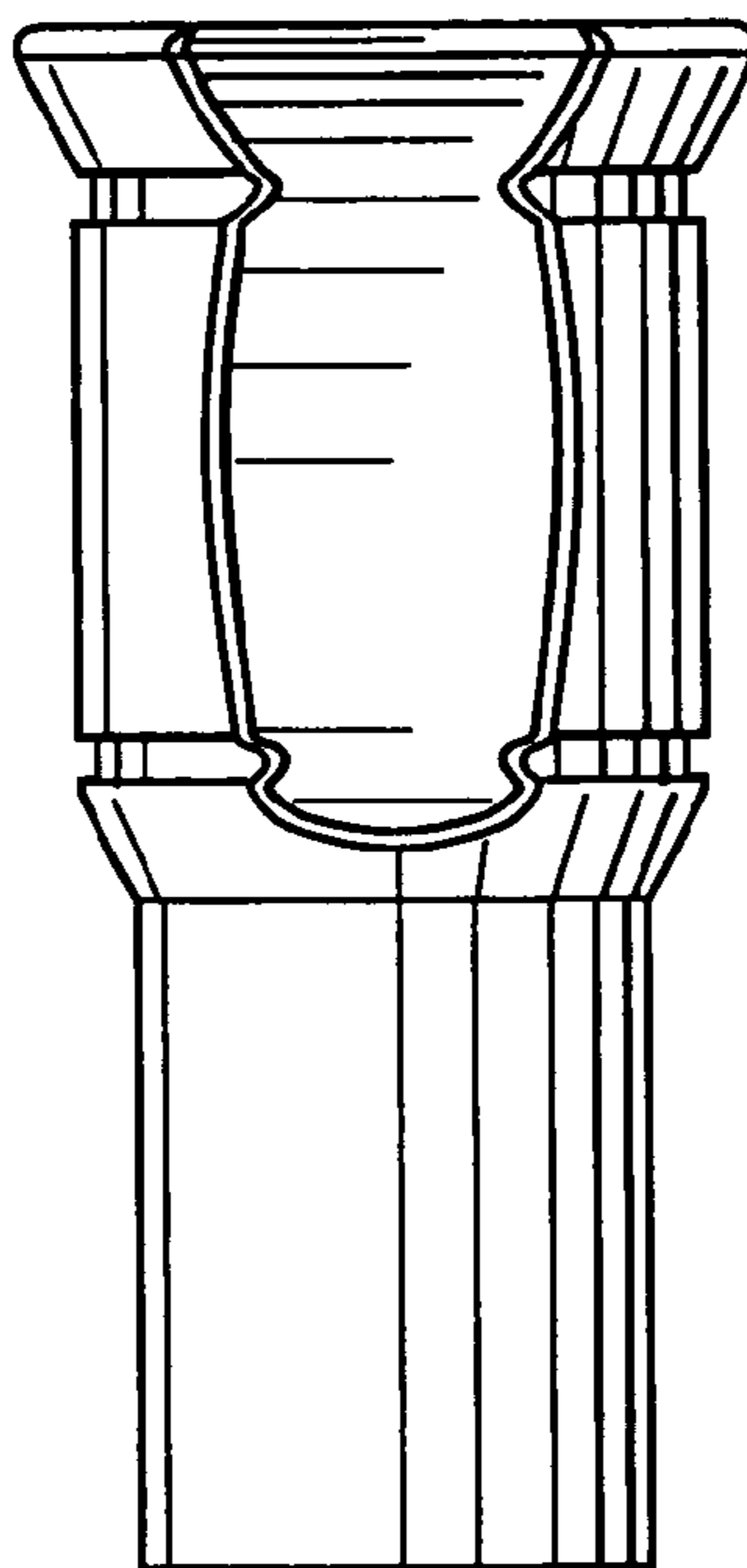
**Fig. 1**



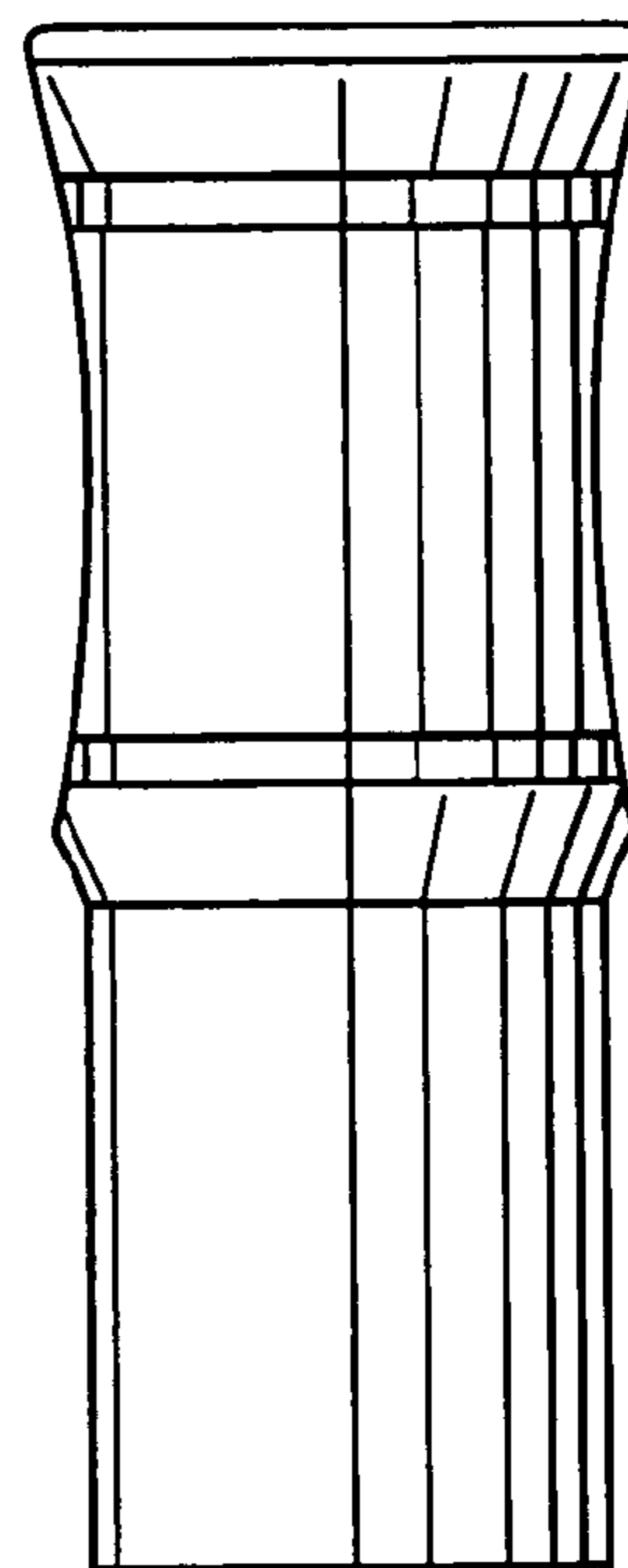
**Fig. 2**



**Fig. 3**



**Fig. 4**



UNITED STATES PATENT AND TRADEMARK OFFICE  
**CERTIFICATE OF CORRECTION**

PATENT NO. : Des. 613,400 S  
APPLICATION NO. : 29/348228  
DATED : April 6, 2010  
INVENTOR(S) : Marc W. Hunter et al.

Page 1 of 1

It is certified that error appears in the above-identified patent and that said Letters Patent is hereby corrected as shown below:

Column 1, Title Page

Item 75, Line 1, "Mark W. Hunter" should read -- Marc W. Hunter, --.

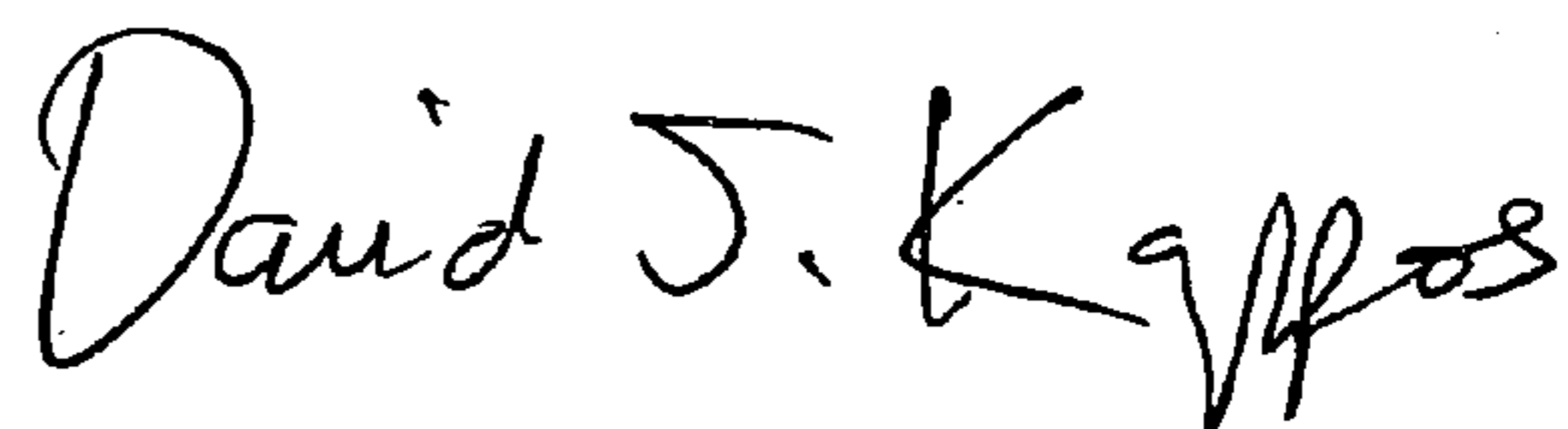
Column 2, Title Page

Item 57, Line 1, "injector," should read -- injector --.

In Description, Line 5-6, "FIG.1; and," should read -- FIG. 1. --.

Signed and Sealed this

Twenty-fourth Day of August, 2010



David J. Kappos  
*Director of the United States Patent and Trademark Office*