



US00D613397S

(12) **United States Design Patent**
Nakao et al.

(10) **Patent No.:** **US D613,397 S**
(45) **Date of Patent:** **** Apr. 6, 2010**

(54) **INHALER**

(75) Inventors: **Takaaki Nakao**, Tokushima (JP);
Shintaro Adachi, Tokushima (JP);
Tetsuya Sato, Osaka (JP); **Toru**
Nishibayashi, Osaka (JP)

(73) Assignees: **Otsuka Pharmaceutical Co., Ltd.** (JP);
Otsuka Techno Corporation (JP)

(**) Term: **14 Years**

(21) Appl. No.: **29/328,401**

(22) Filed: **Nov. 24, 2008**

(30) **Foreign Application Priority Data**

May 23, 2008 (JP) 2008-013034

(51) **LOC (9) Cl.** **29-02**

(52) **U.S. Cl.** **D24/110**

(58) **Field of Classification Search** D24/110;
D9/529, 551, 682; 128/200.23, 200.12, 200.14,
128/200.21, 205.23, 203.12, 203.15, 203.13
See application file for complete search history.

(56) **References Cited**

U.S. PATENT DOCUMENTS

D355,029 S * 1/1995 Kinneir et al. D24/110
D452,910 S * 1/2002 Braithwaite et al. D24/110
D499,802 S * 12/2004 Pinon et al. D24/110
D518,170 S * 3/2006 Clarke et al. D24/110
D527,815 S * 9/2006 Nishibayashi et al. D24/110
D528,654 S * 9/2006 Nishibayashi et al. D24/110
D560,793 S * 1/2008 Pearl et al. D24/110
2009/0205656 A1 * 8/2009 Nishibayashi et al. .. 128/203.15

FOREIGN PATENT DOCUMENTS

KR 30-0454447 6/2007
TW 381870 2/2000

TW D103463 3/2005
TW D103464 3/2005
TW D119776 11/2007

* cited by examiner

Primary Examiner—Ian Simmons
Assistant Examiner—Christopher Lee

(74) *Attorney, Agent, or Firm*—SAIDMAN DesignLaw
Group

(57) **CLAIM**

The ornamental design for an inhaler, as shown and
described.

DESCRIPTION

FIG. 1 is a front perspective view of an inhaler showing our
new design;

FIG. 2 is a front view thereof;

FIG. 3 is a rear view thereof;

FIG. 4 is a right side view thereof;

FIG. 5 is a left side view thereof;

FIG. 6 is a top view thereof;

FIG. 7 is a bottom view thereof;

FIG. 8 is a front perspective view with the inhaler in an open
position;

FIG. 9 is a front view thereof;

FIG. 10 is a rear view thereof;

FIG. 11 is a right side view thereof;

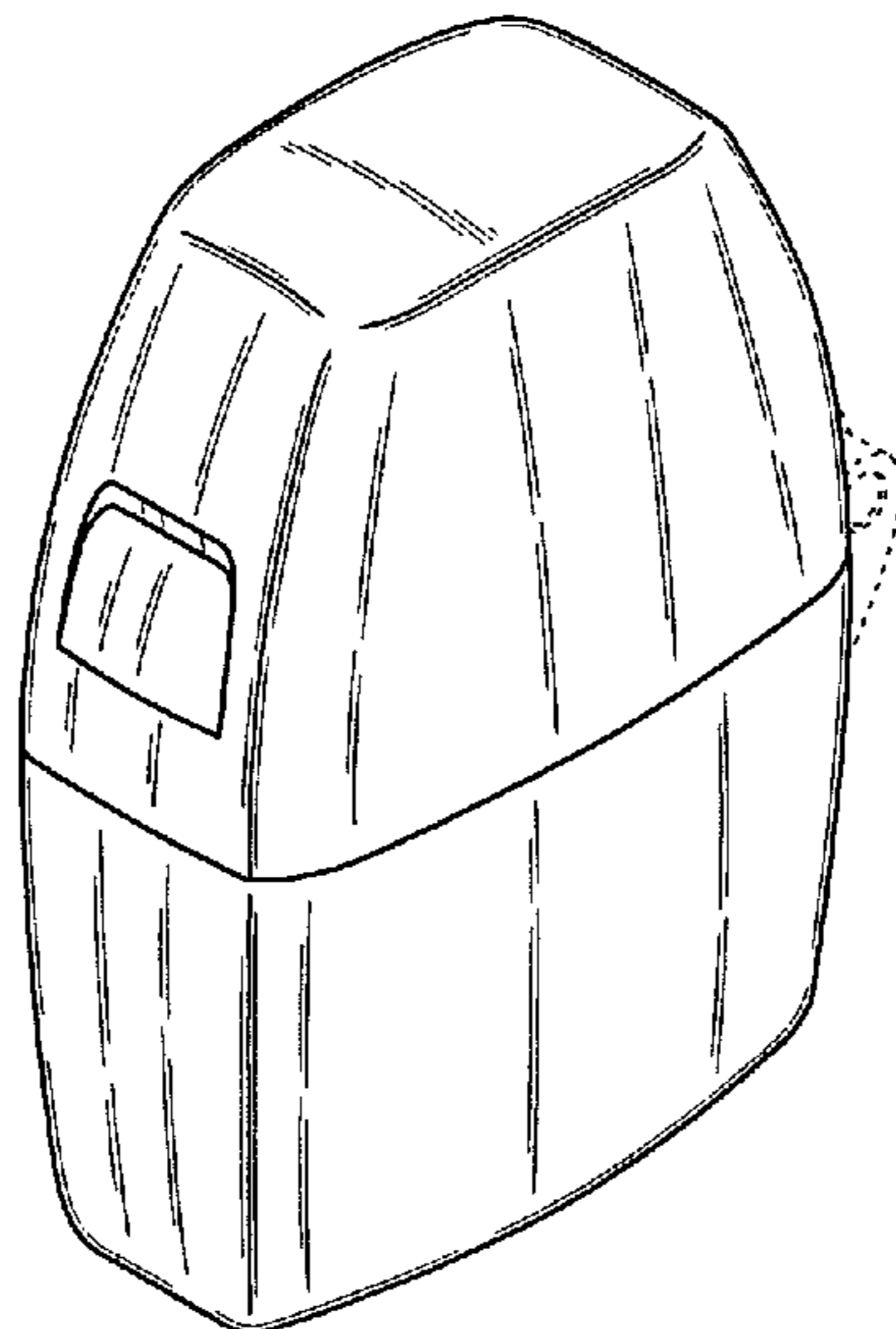
FIG. 12 is a left side view thereof;

FIG. 13 is a top view thereof; and,

FIG. 14 is a bottom view thereof.

The broken lines are environmental and form no part of the
claimed design.

1 Claim, 8 Drawing Sheets



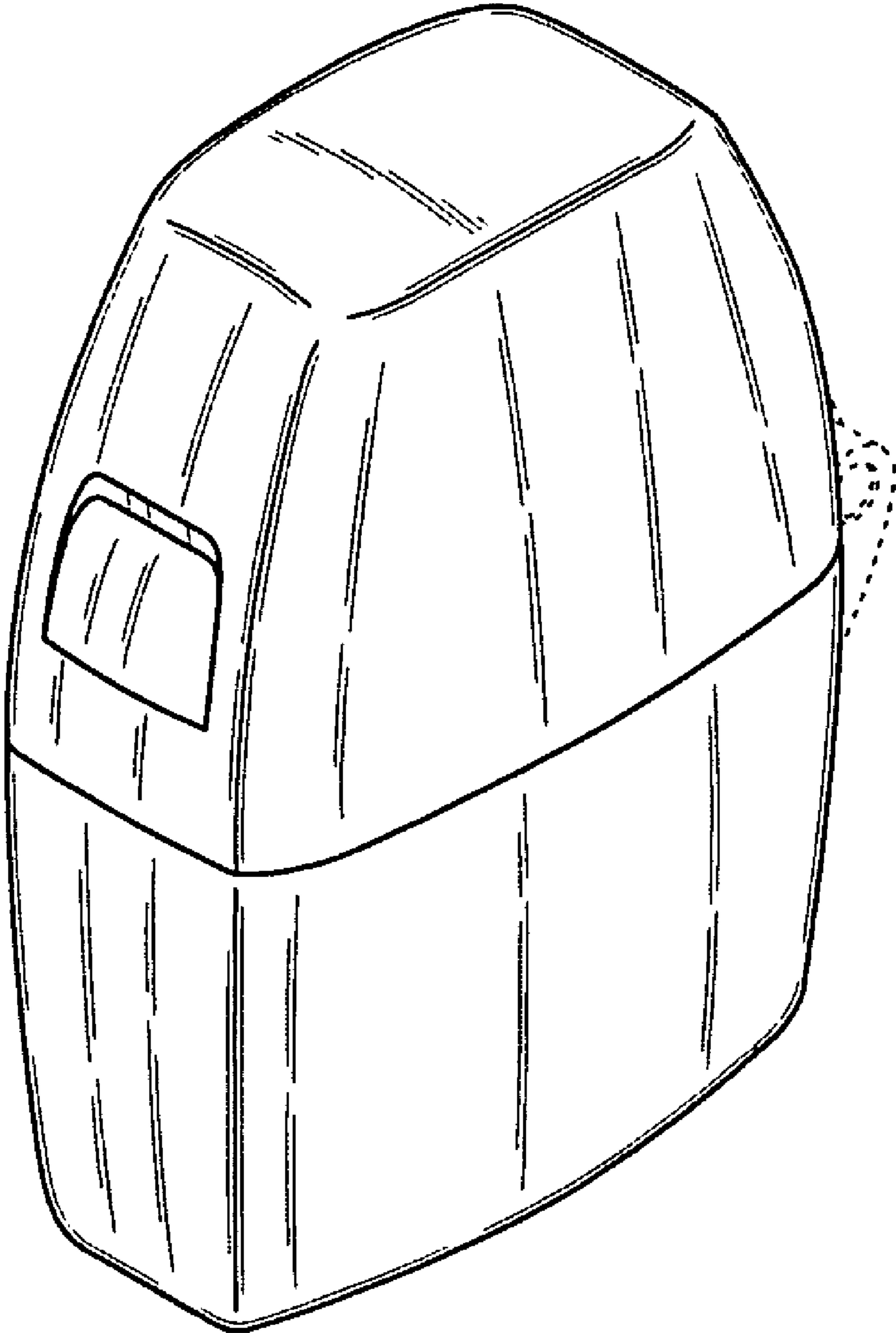


Fig. 1

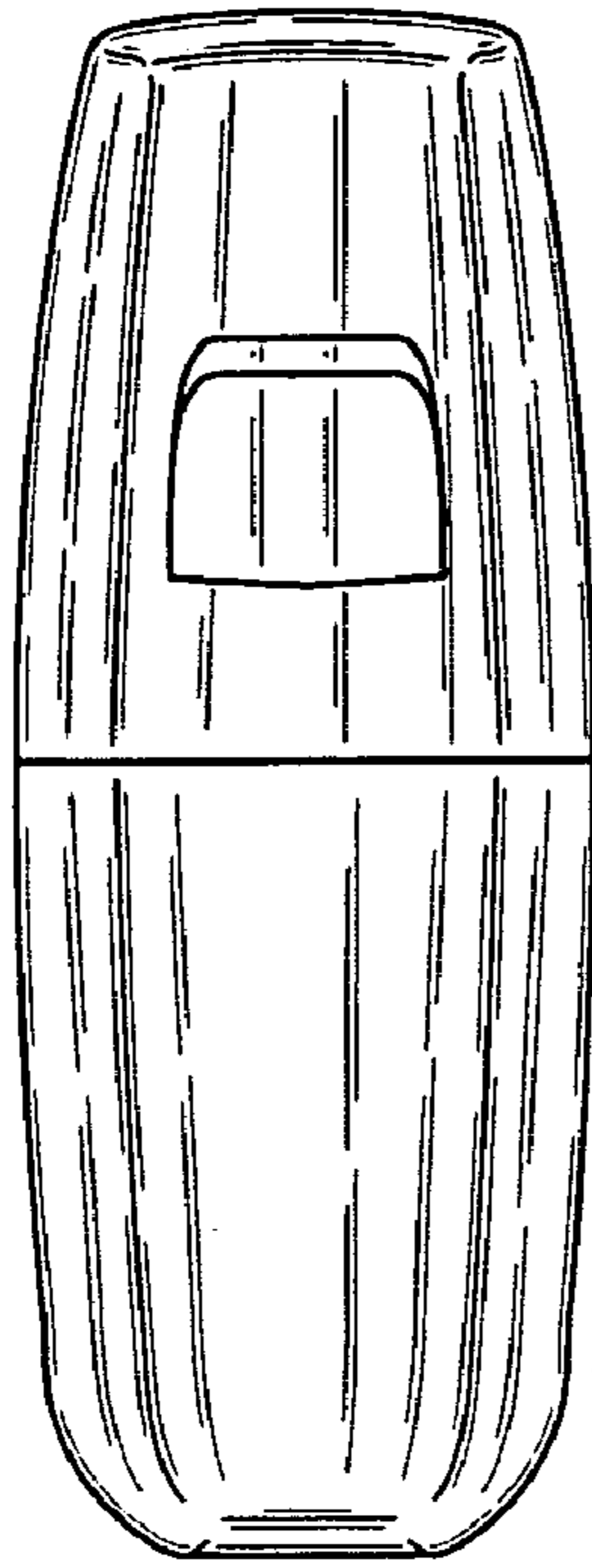


Fig. 2

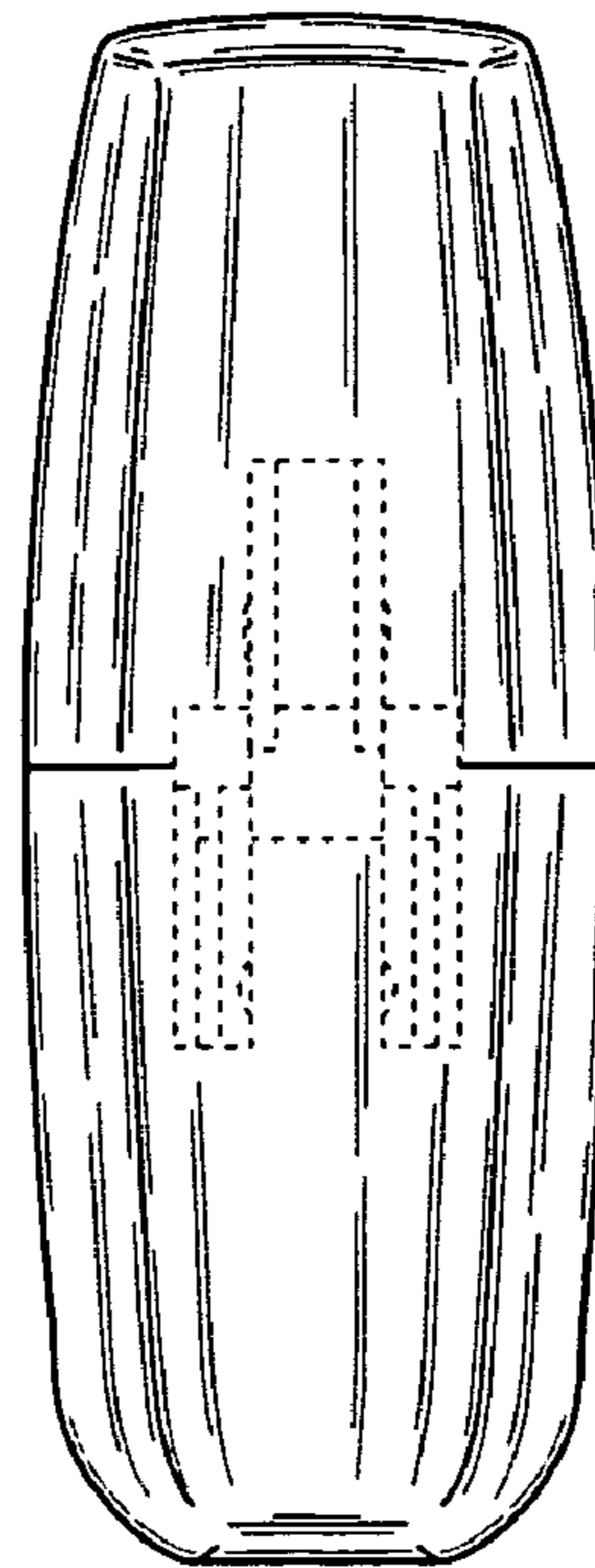


Fig. 3

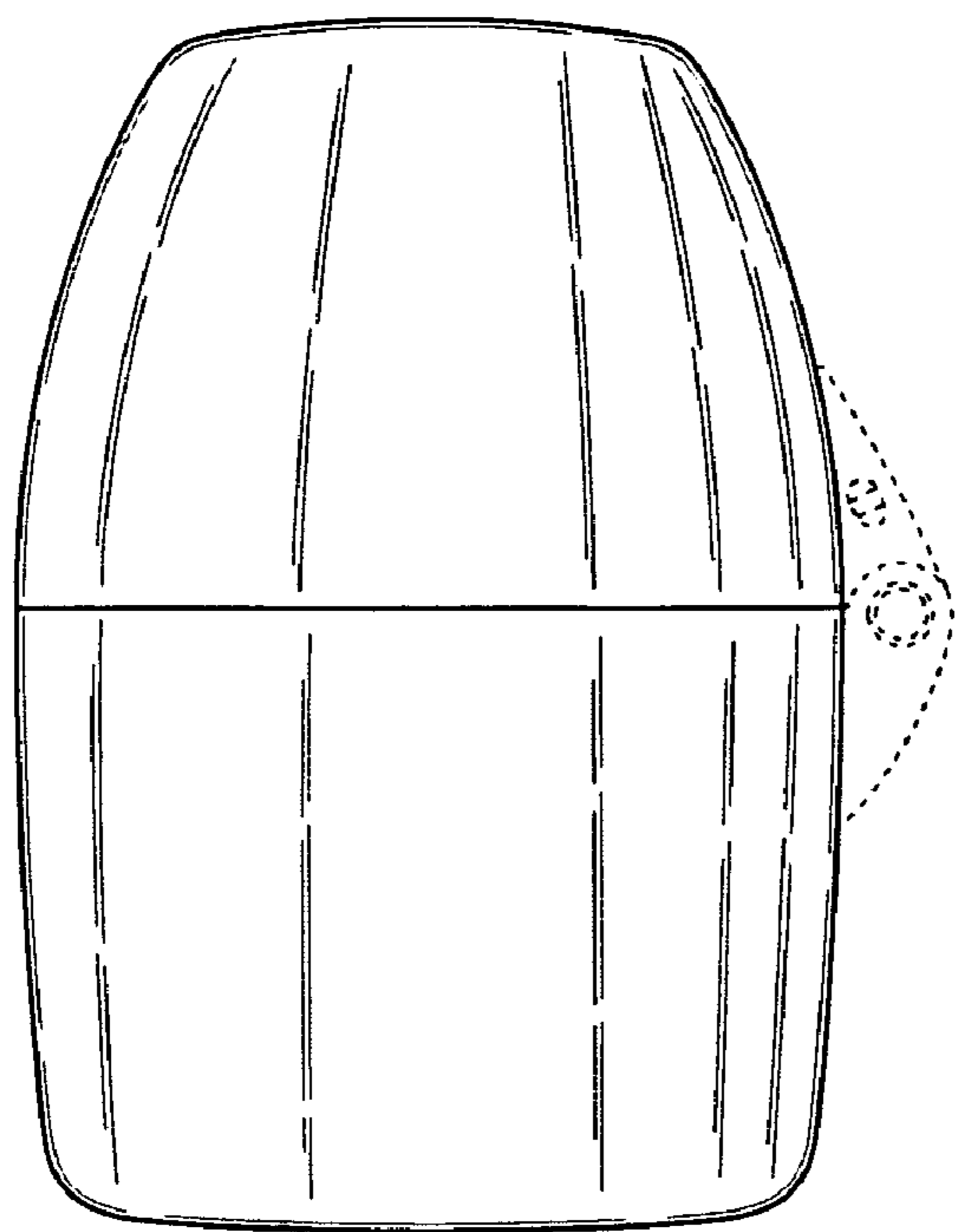


Fig. 4

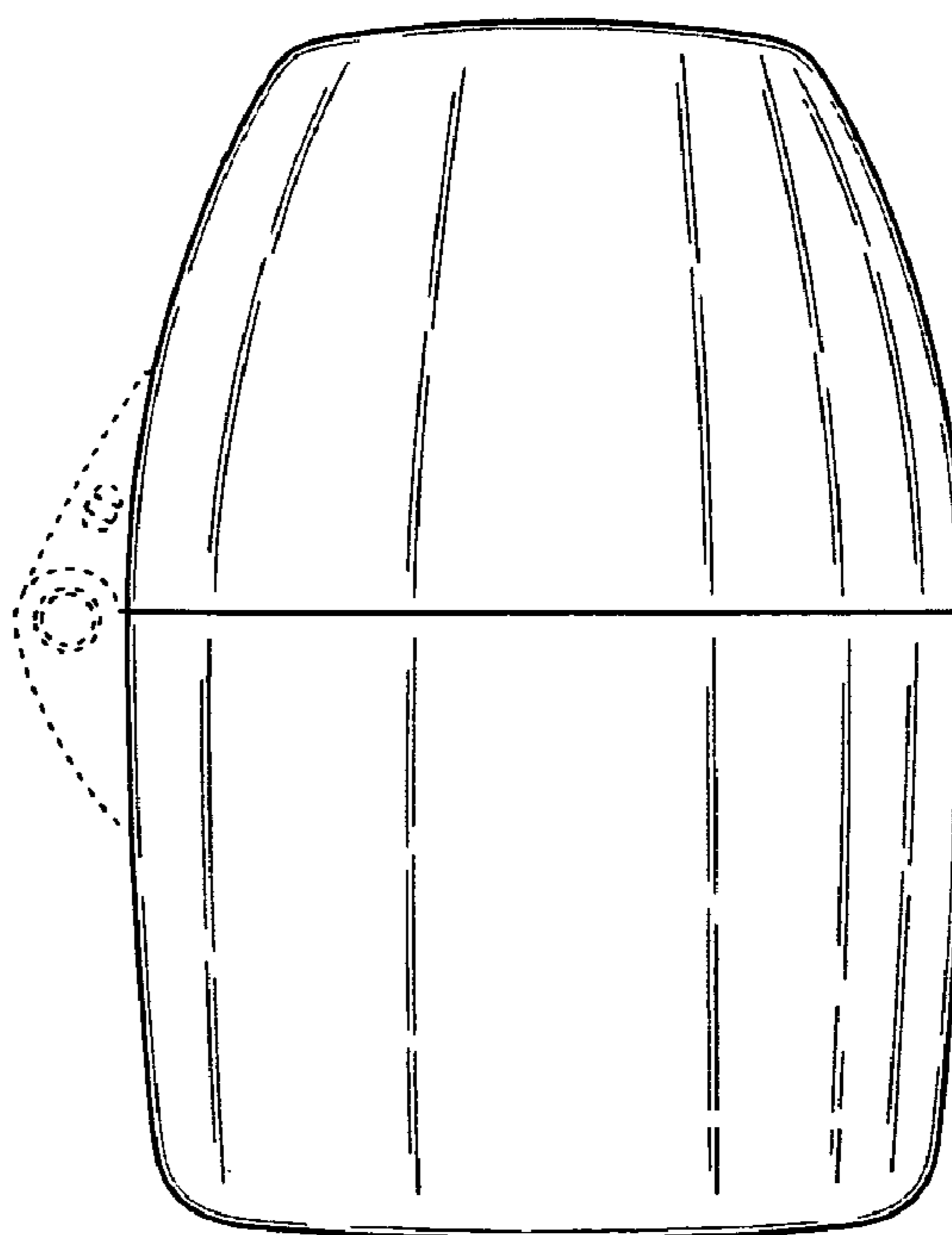


Fig. 5

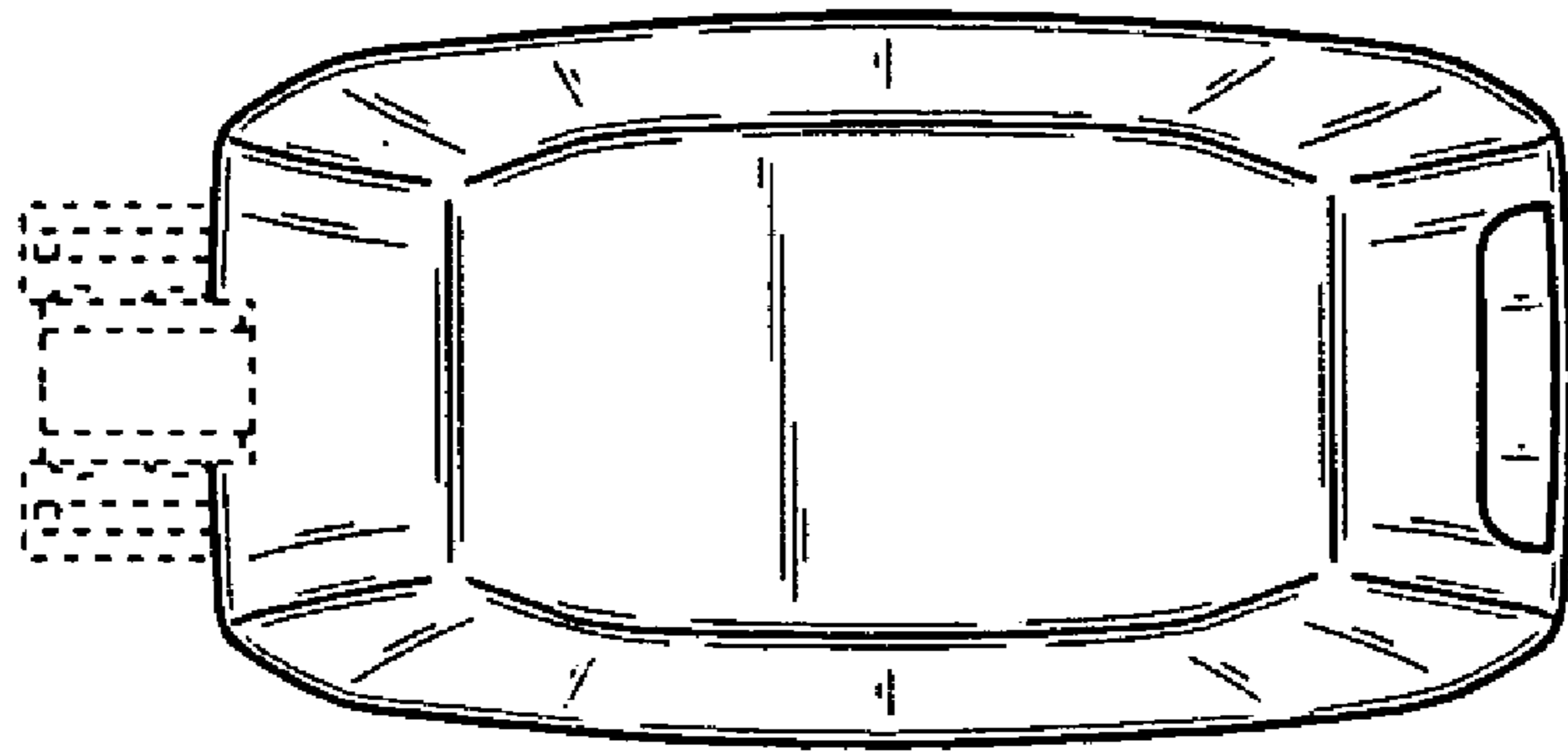


Fig. 6

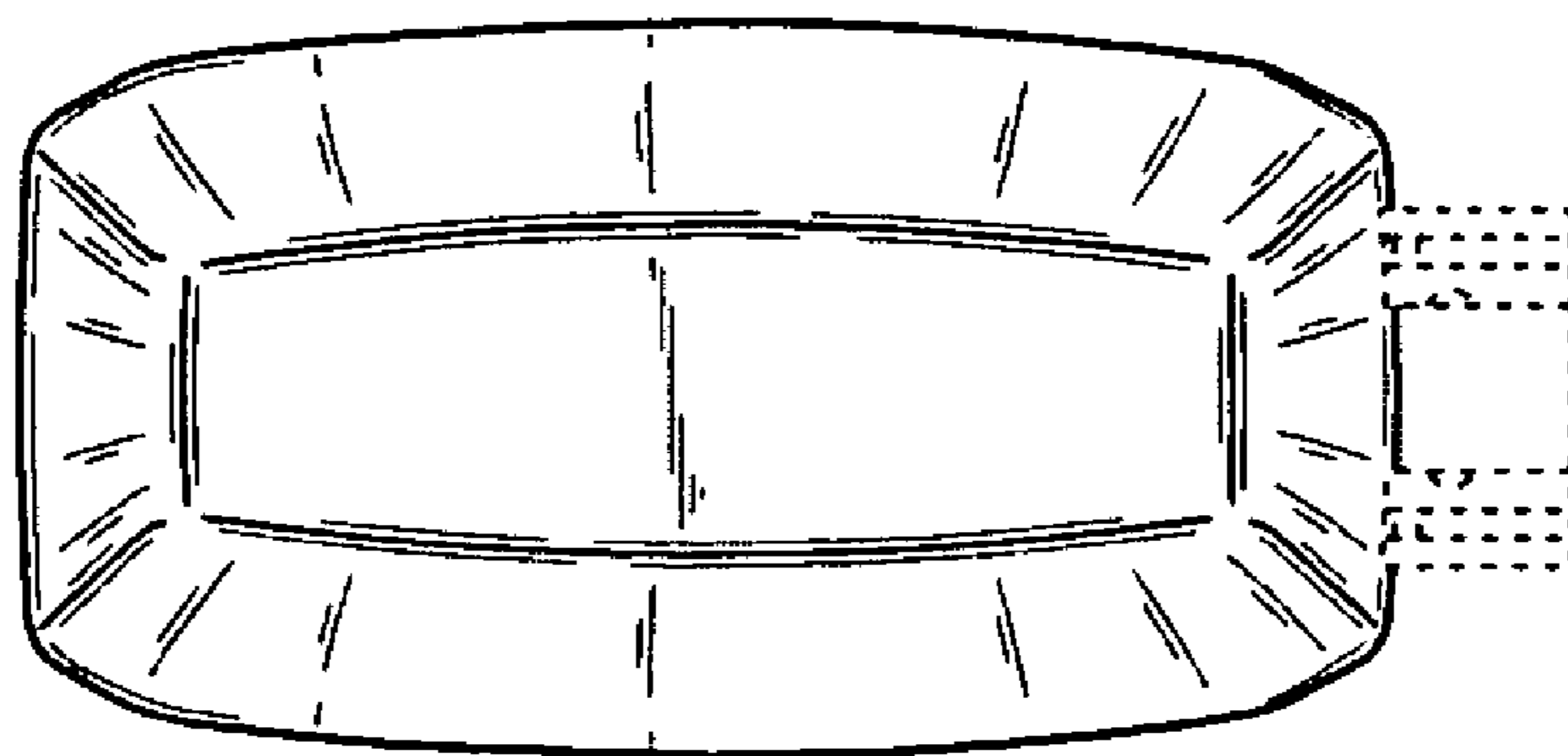


Fig. 7

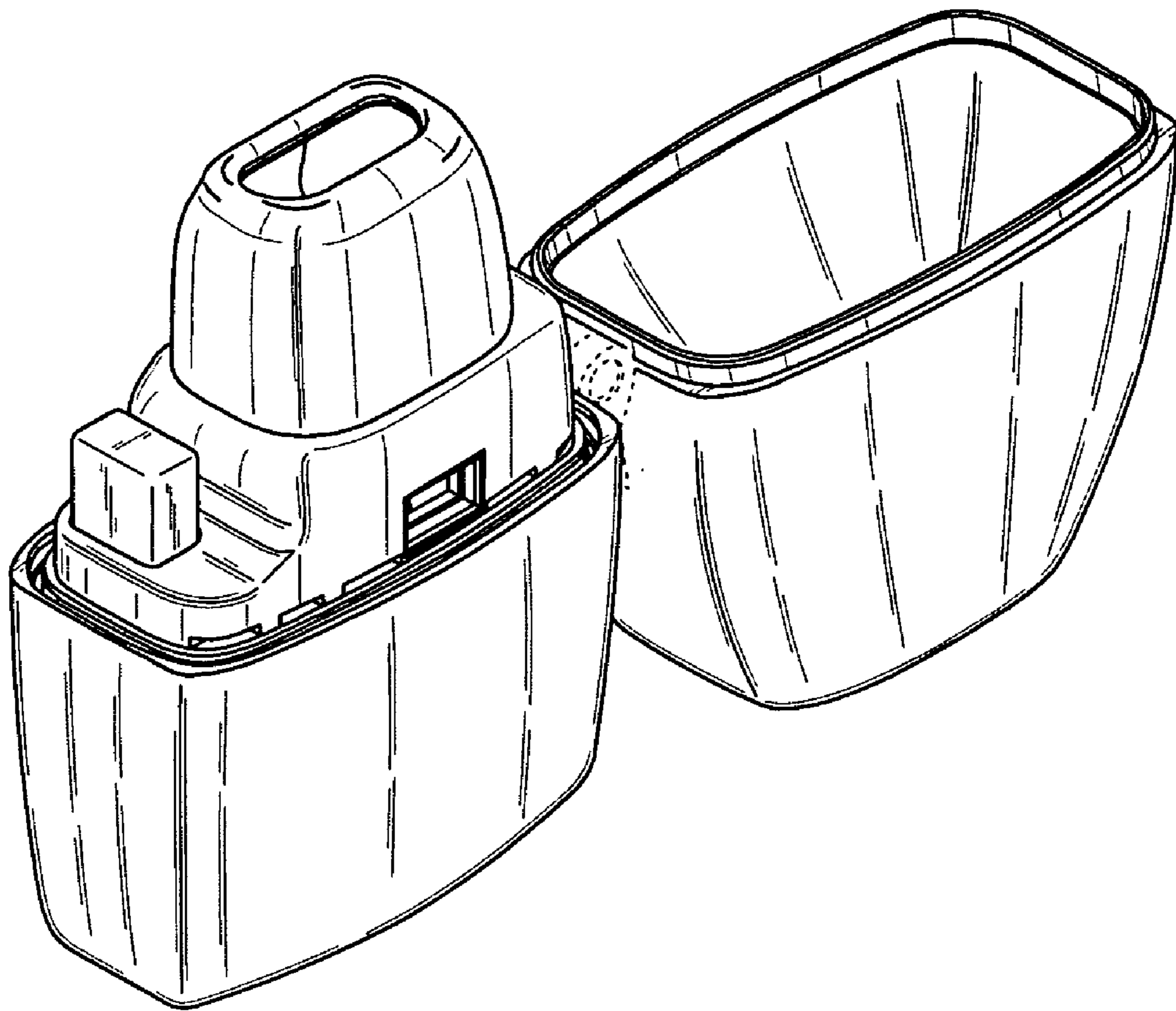


Fig. 8

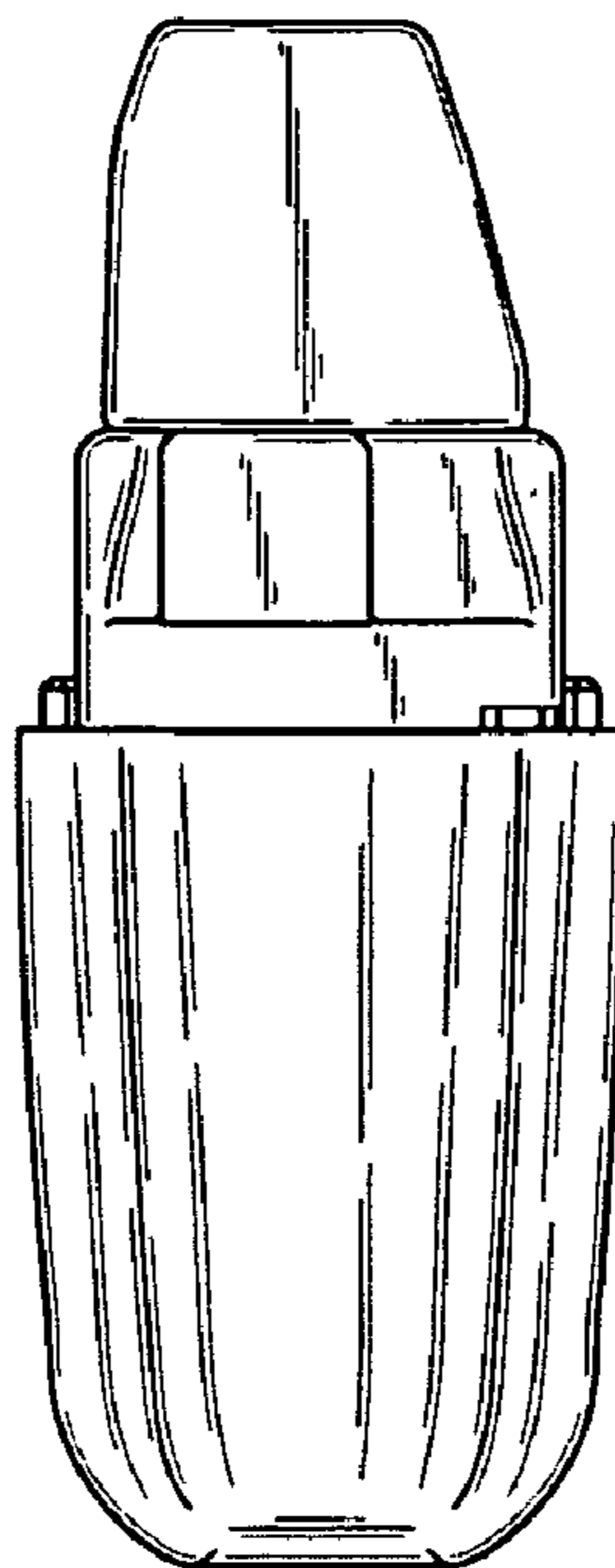


Fig. 9

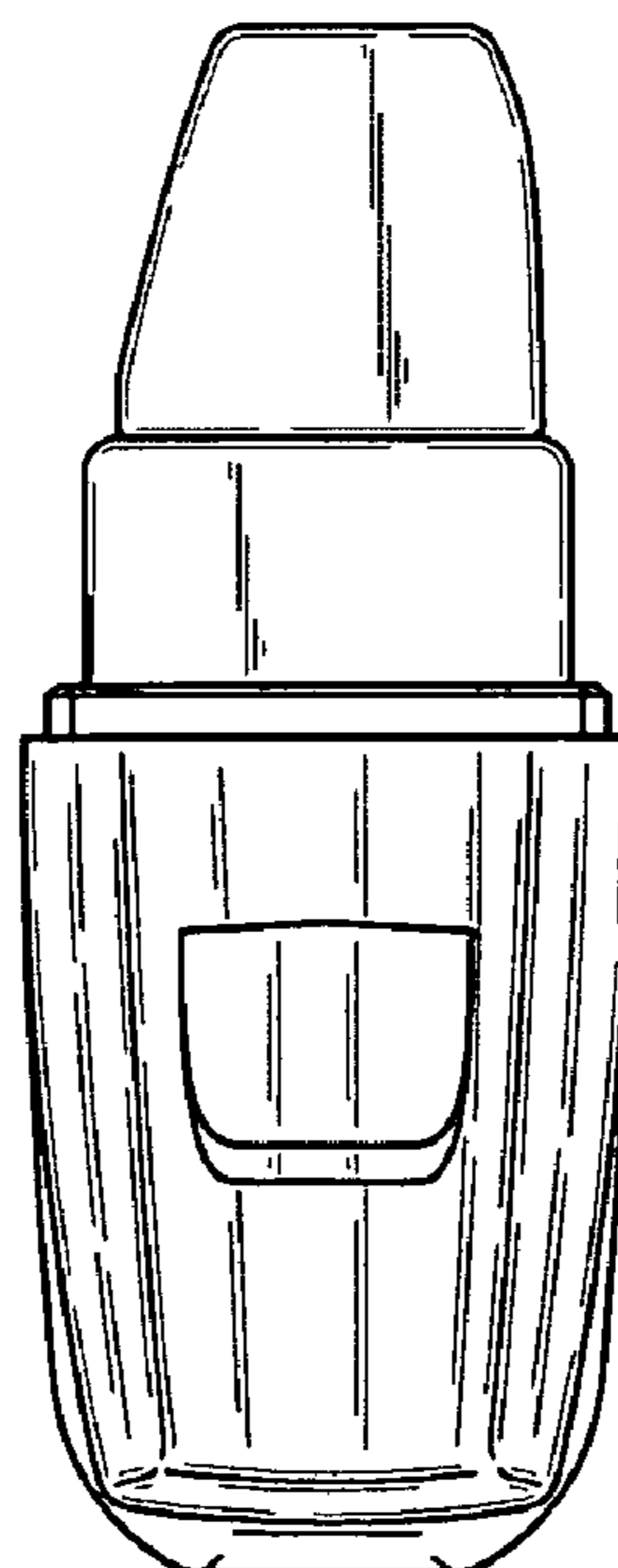


Fig. 10

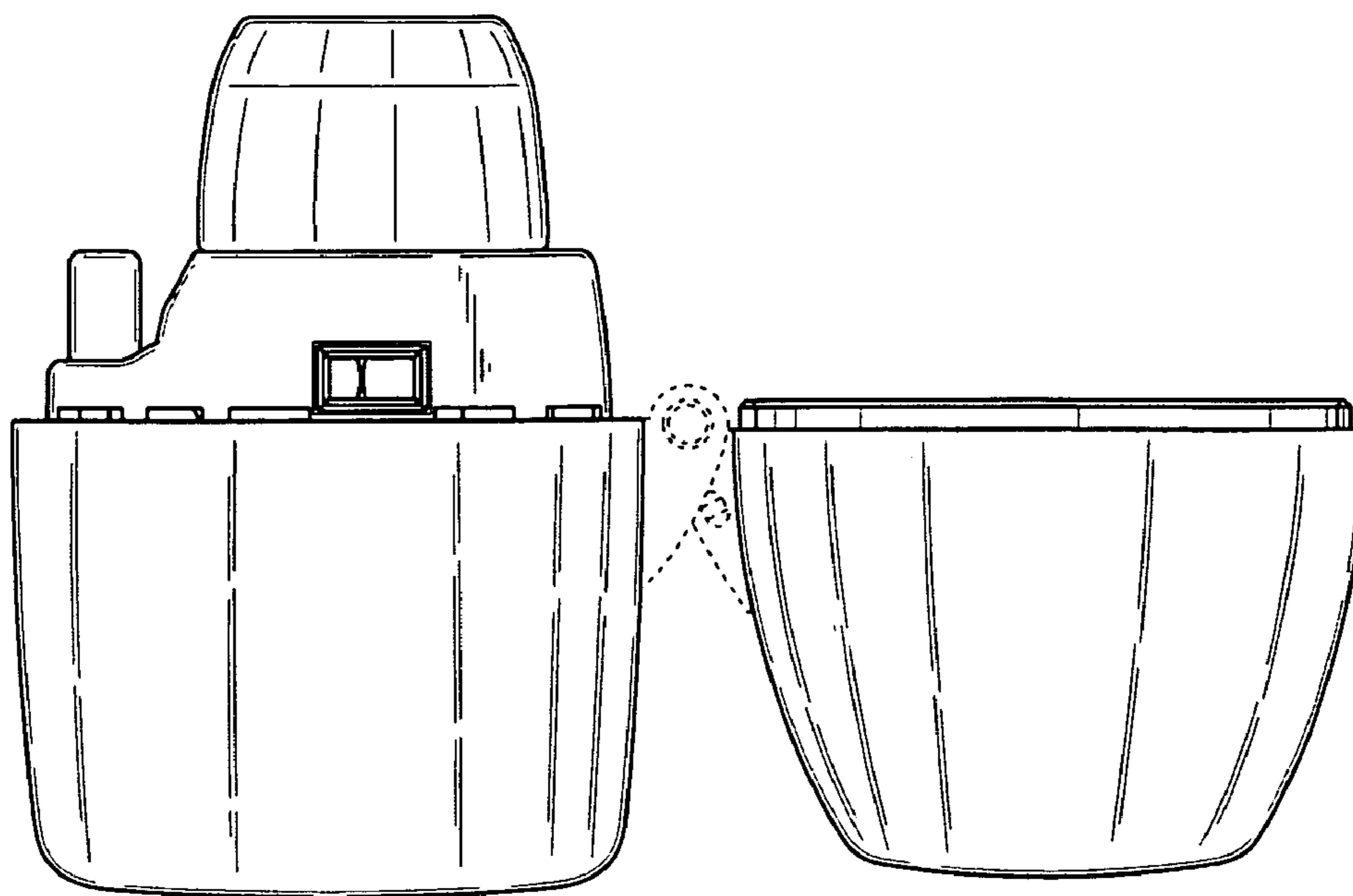


Fig. 11

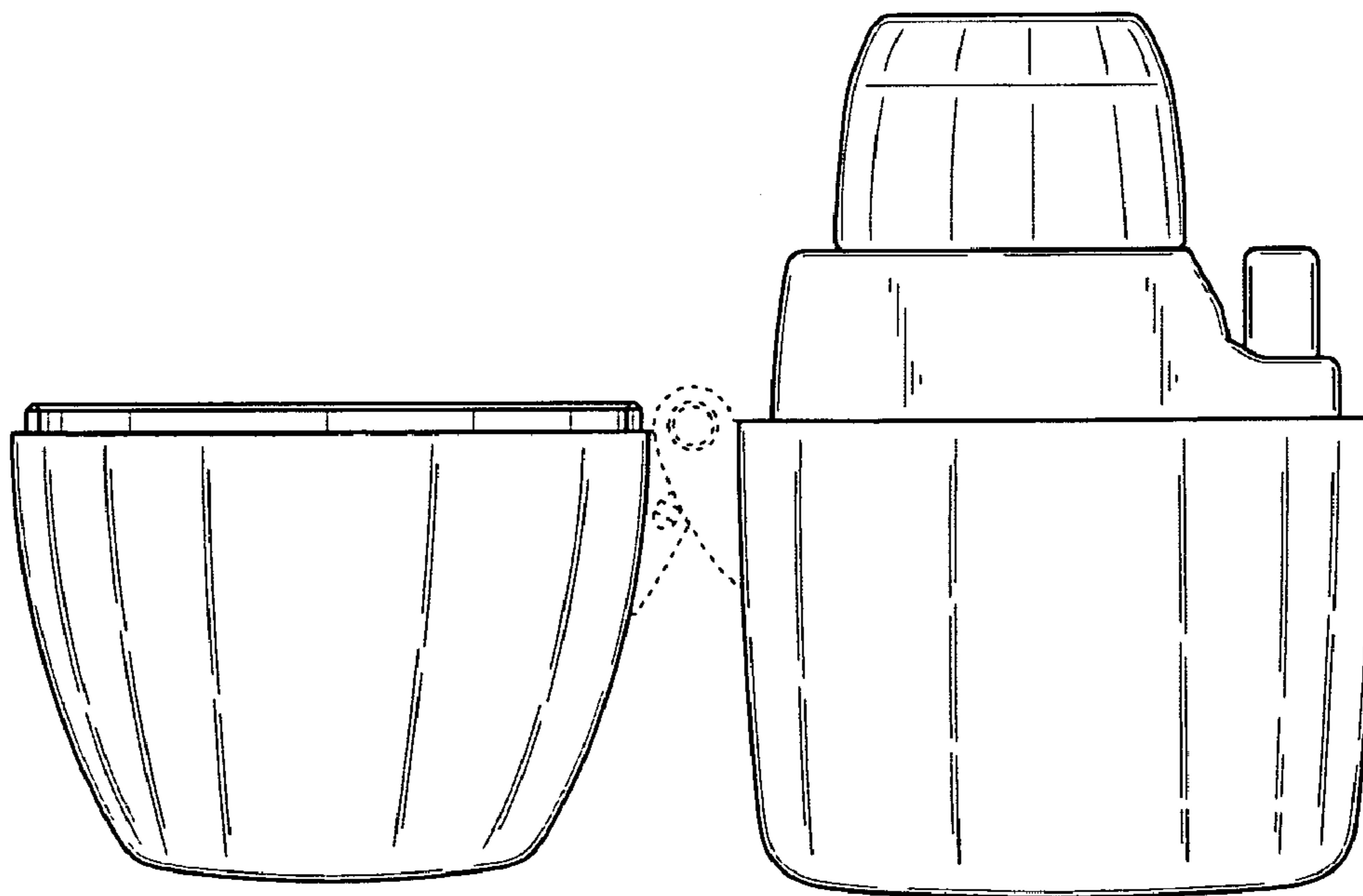


Fig. 12

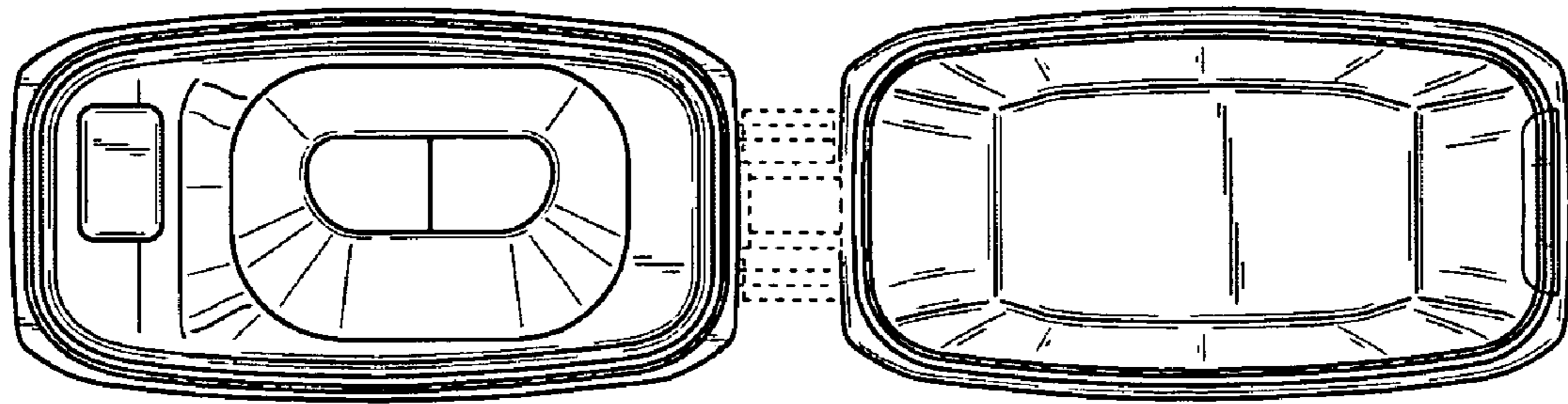


Fig. 13

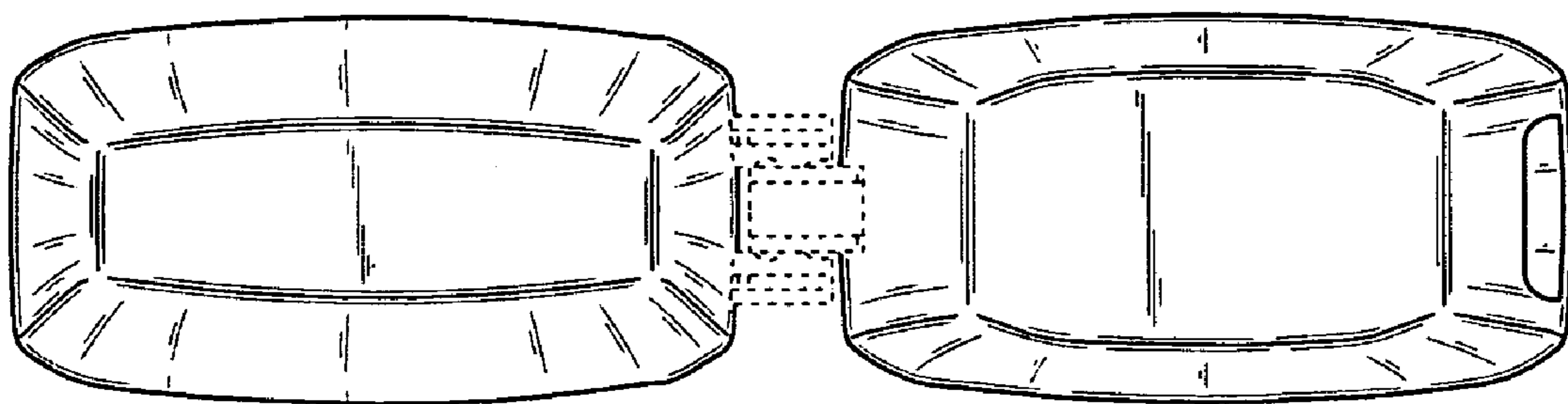


Fig. 14