



US00D613393S

(12) **United States Design Patent**
Dorsey et al.

(10) **Patent No.:** **US D613,393 S**

(45) **Date of Patent:** **** Apr. 6, 2010**

(54) **IN-RACK COOLING CABINET**

(75) Inventors: **John Dorsey**, Lewisville, TX (US); **Tim W. Rhoads**, Plano, TX (US)

(73) Assignee: **Diem Digital Interiors, LLC**,
Lewisville, TX (US)

(**) Term: **14 Years**

(21) Appl. No.: **29/340,328**

(22) Filed: **Jul. 16, 2009**

(51) **LOC (9) Cl.** **23-04**

(52) **U.S. Cl.** **D23/397**

(58) **Field of Classification Search** D23/397,
D23/385-389, 393, 392, 370, 351-354, 364,
D23/355, 356, 359-362, 365, 366, 369, 332-336,
D23/342, 400, 401, 261, 380; 454/309, 275-277,
454/284, 287-291, 213; 422/120, 122; 55/356,
55/473, 504, 509, 495; 96/97; D14/188,
D14/170, 172, 496; 261/DIG. 17, DIG. 65,
261/DIG. 88, DIG. 31; 62/440

See application file for complete search history.

(56) **References Cited**

U.S. PATENT DOCUMENTS

3,357,763	A *	12/1967	Toper	55/509
3,698,308	A *	10/1972	Navara	454/213
D279,601	S *	7/1985	Sexton	D23/388
D306,198	S *	2/1990	Matherne	D23/365
D338,713	S *	8/1993	Cox et al.	D23/386
D371,429	S *	7/1996	Ternlind	D23/386
D372,968	S *	8/1996	White	D23/386
D395,053	S *	6/1998	Aske et al.	D23/380

5,776,218	A *	7/1998	Enns	55/495
6,652,375	B2 *	11/2003	Donnelly	454/289
D494,669	S *	8/2004	Achen	D23/388
D526,402	S *	8/2006	Achen	D23/386
D543,264	S *	5/2007	Francis et al.	D23/364

* cited by examiner

Primary Examiner—T. Chase Nelson

Assistant Examiner—David G Muller

(74) *Attorney, Agent, or Firm*—Colin P. Cahoon; Bobby W. Braxton; Carstens & Cahoon, LLP

(57) **CLAIM**

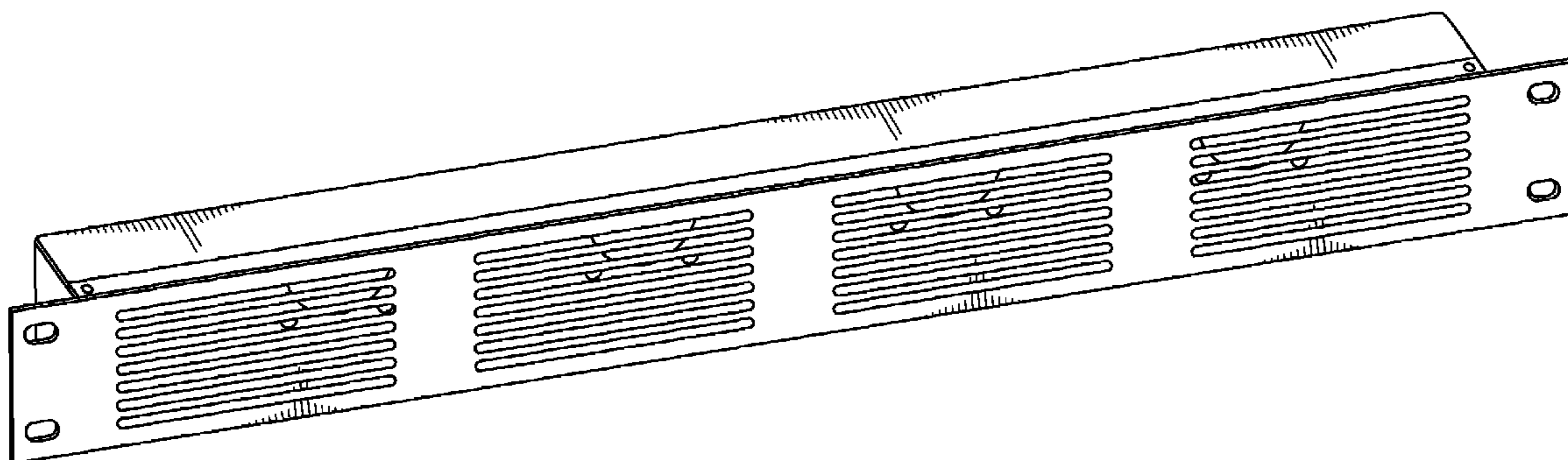
The ornamental design for an in-rack cooling cabinet, as shown and described.

DESCRIPTION

FIG. 1 is a front perspective view of the cooling cabinet; FIG. 2 is a front elevation view of the cooling cabinet; FIG. 3 is a rear elevation view of the cooling cabinet; FIG. 4 is a top plan view of the cooling cabinet; FIG. 5 is a bottom plan view of the cooling cabinet; and FIG. 6 is a right elevation view of the cooling cabinet, shown at a larger scale for illustrational clarity; FIG. 7 is a left elevation view of the cooling cabinet, shown at a larger scale for illustrational clarity; and, FIG. 8 is a rear elevation view of the cooling cabinet illustrating the location of fans in broken lines.

The broken line in FIG. 8 is for the purpose of illustrating fans within the cooling cabinet and forms no part of the claimed design.

1 Claim, 5 Drawing Sheets



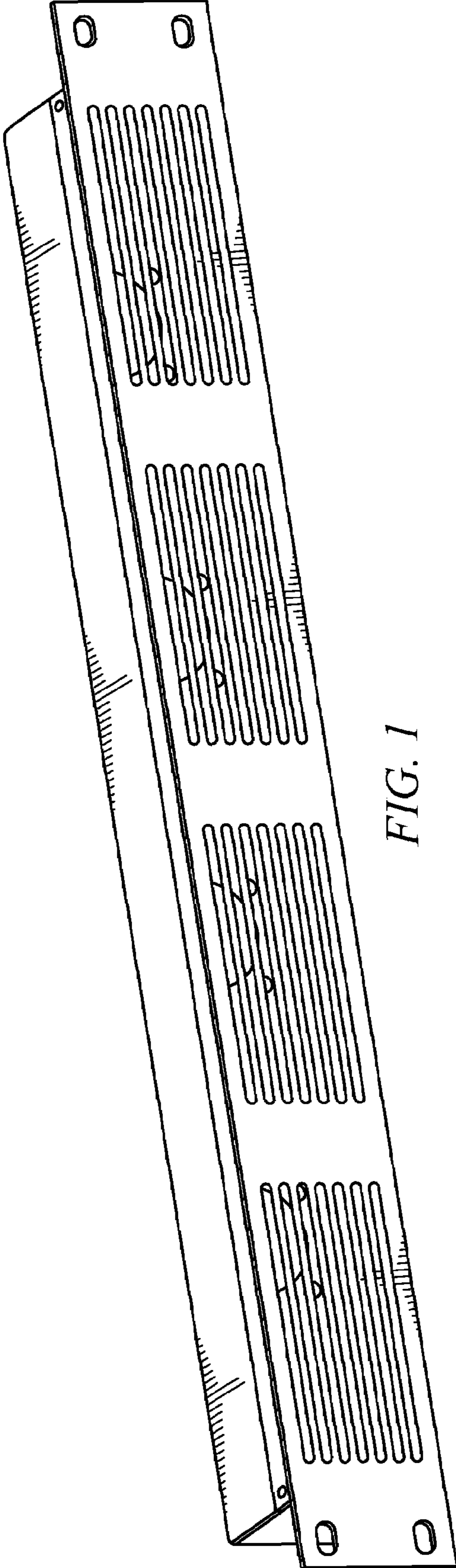


FIG. 1

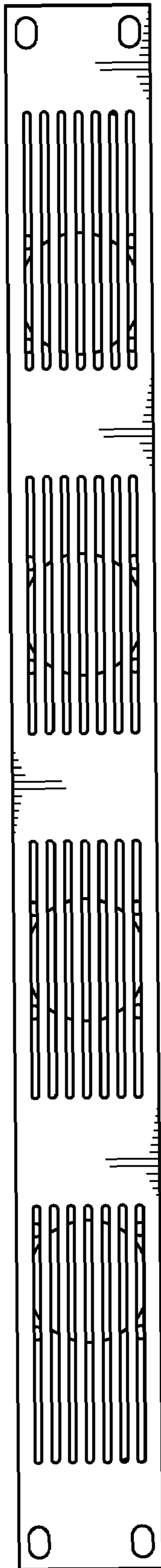


FIG. 2

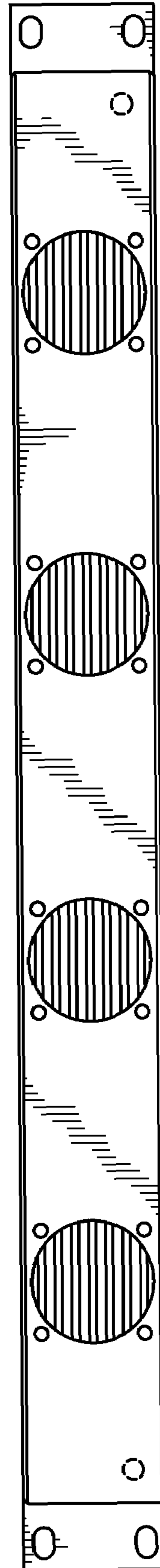


FIG. 3

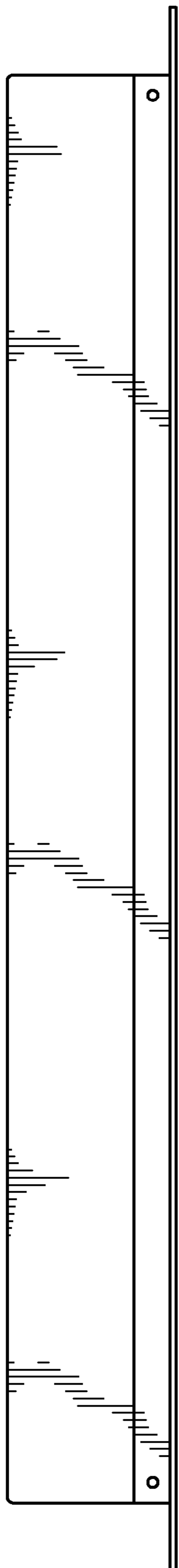


FIG. 4

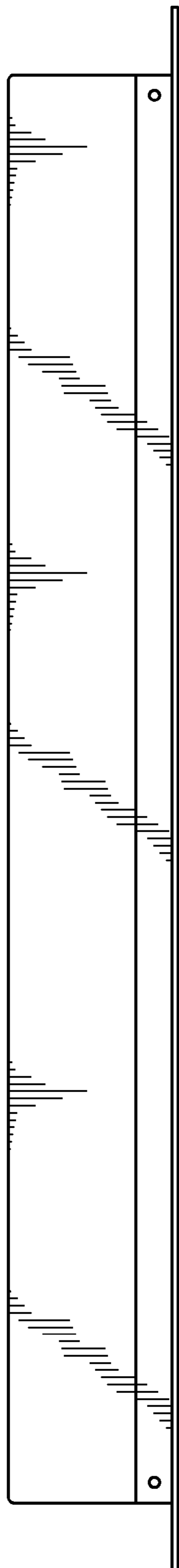


FIG. 5

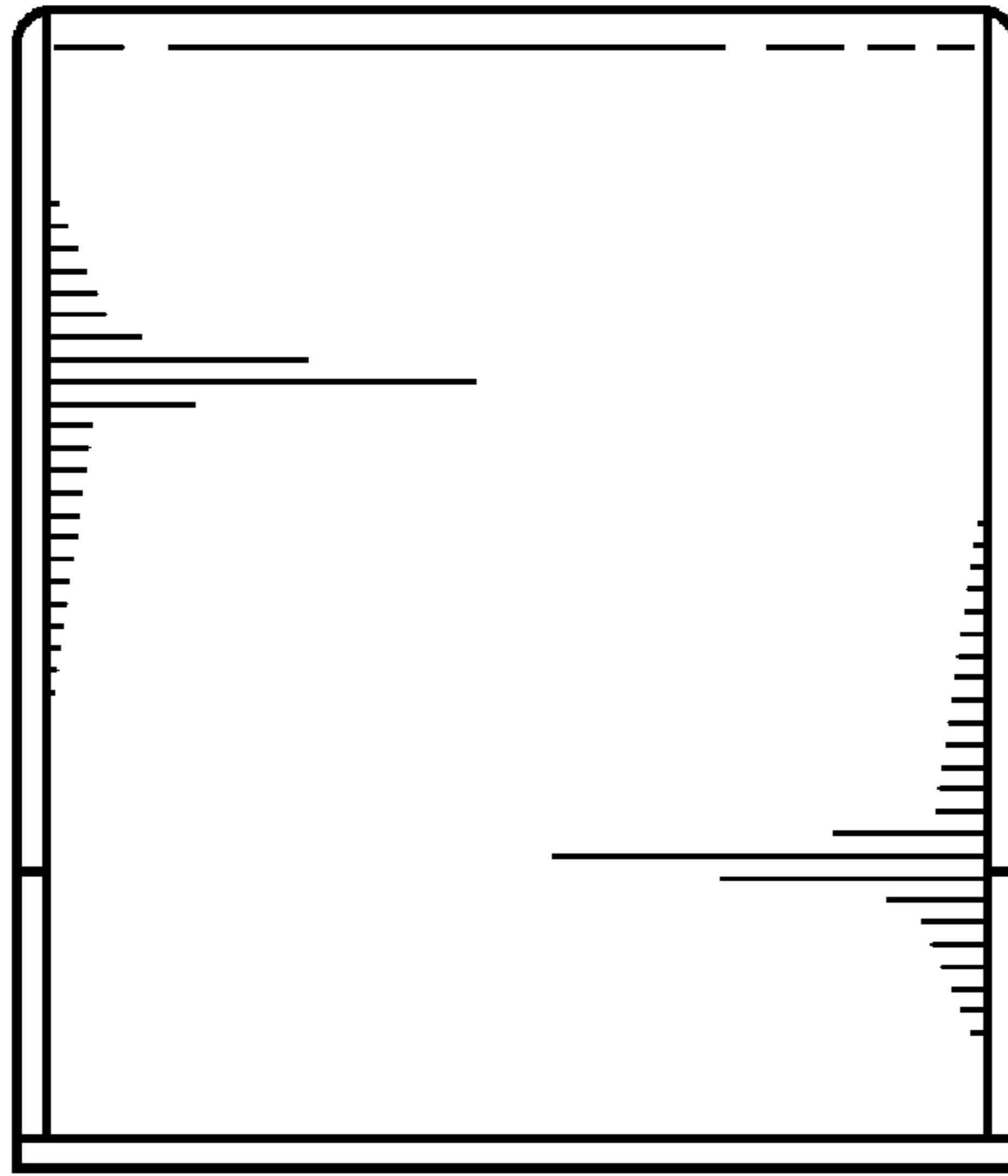


FIG. 6

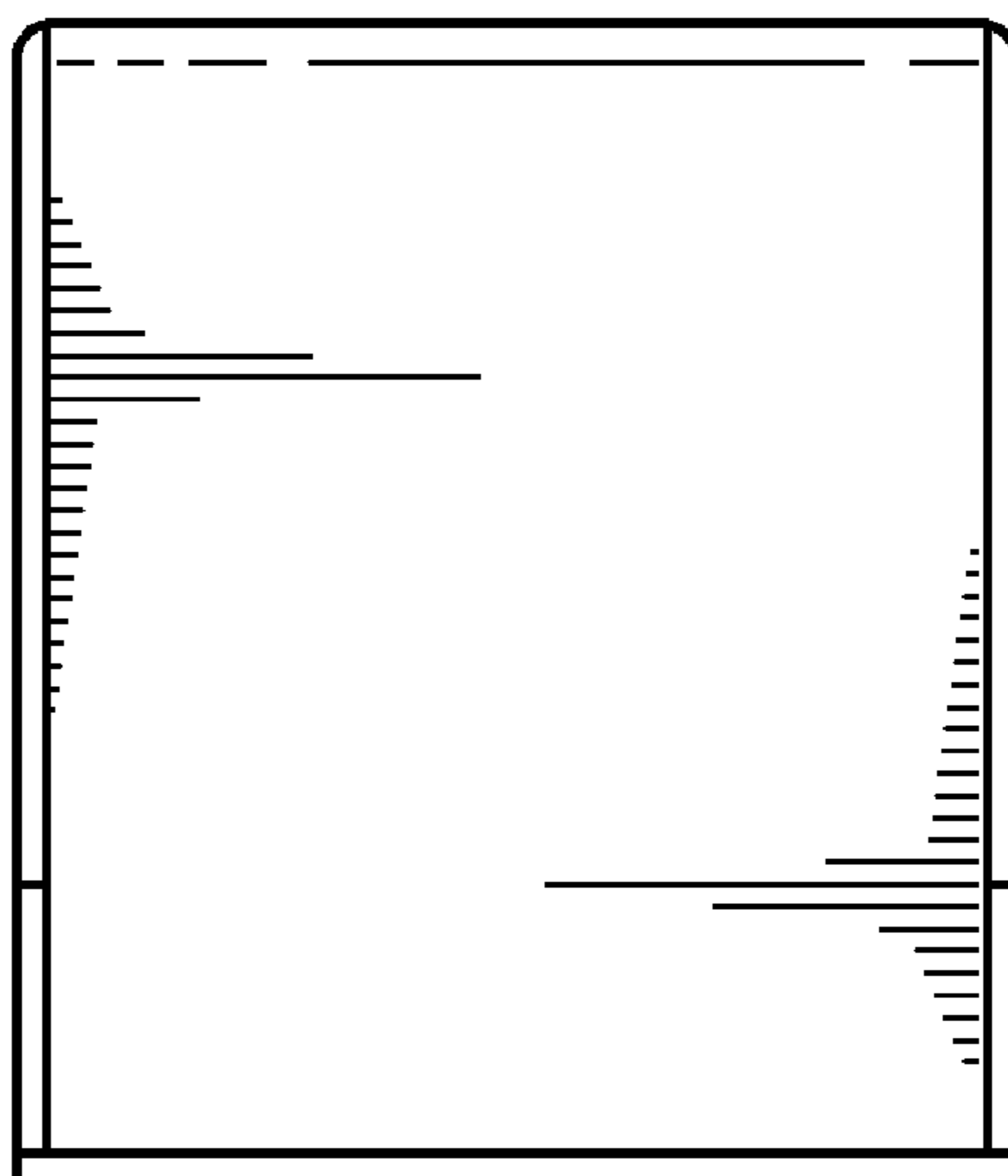


FIG. 7

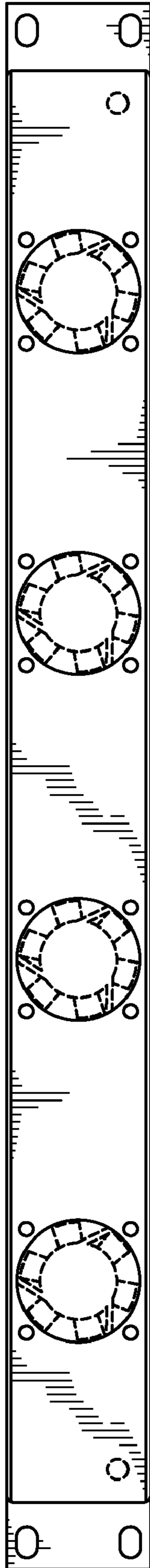


FIG. 8