



US00D613392S

(12) **United States Design Patent**
Yeung

(10) **Patent No.:** **US D613,392 S**

(45) **Date of Patent:** **** Apr. 6, 2010**

(54) **DESK FAN**

D483,852 S * 12/2003 Wong D23/382

(75) Inventor: **Kui-wong Yeung**, New Territories (HK)

* cited by examiner

(73) Assignee: **Homely Manufacturing Limited**, New Territories (HK)

Primary Examiner—Lisa P Lichtenstein
(74) *Attorney, Agent, or Firm*—Law Office of Sergei Orel, LLC

(**) Term: **14 Years**

(21) Appl. No.: **29/338,380**

(22) Filed: **Jun. 10, 2009**

(57) **CLAIM**

The ornamental design for a desk fan, as shown and described.

(30) **Foreign Application Priority Data**

Apr. 23, 2009 (HK) 0900654

DESCRIPTION

(51) **LOC (9) Cl.** **23-04**

(52) **U.S. Cl.** **D23/382**

(58) **Field of Classification Search** D23/382,
D23/381, 332, 370, 411, 412; 416/246 R,
416/247 R, 244 R

See application file for complete search history.

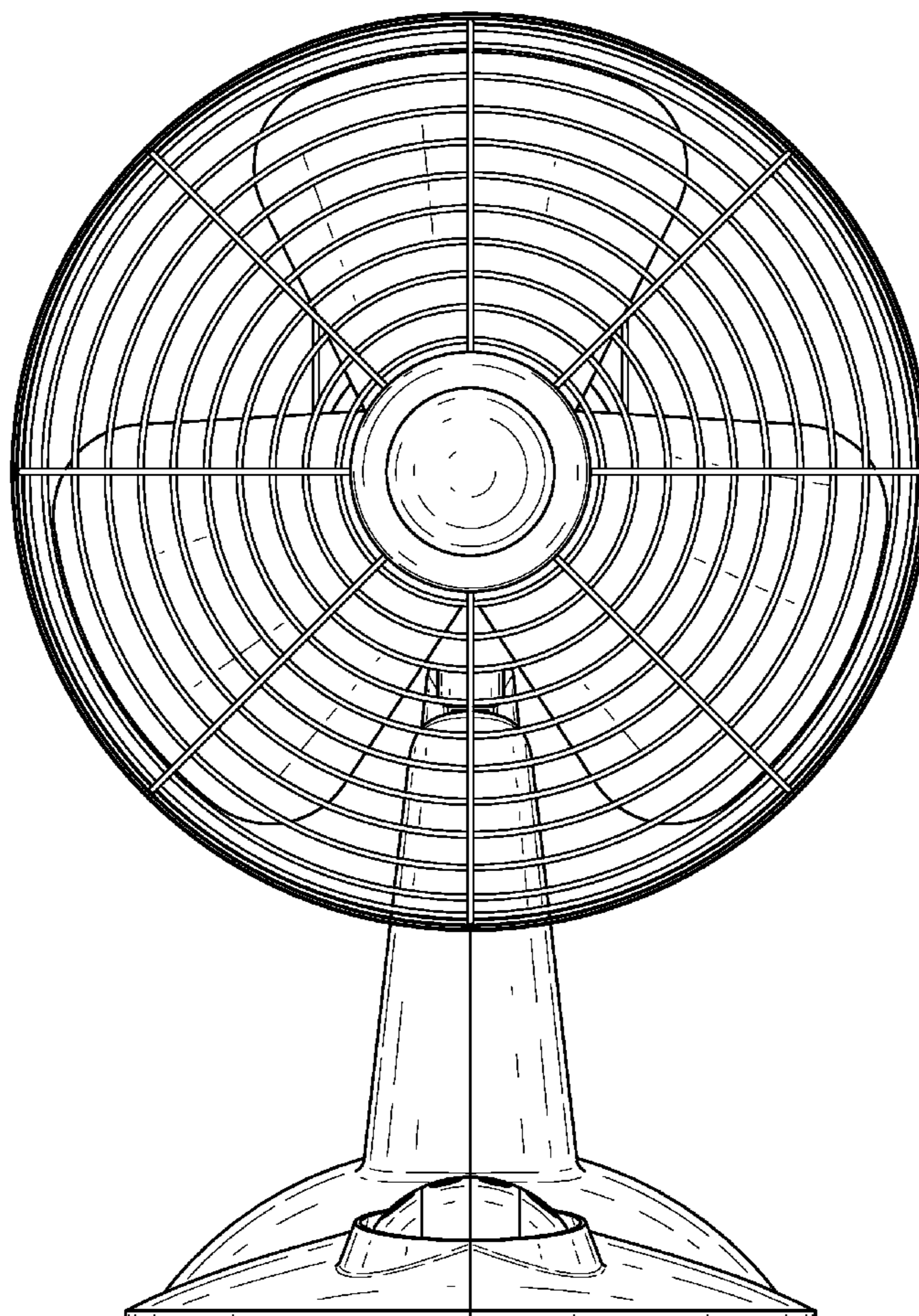
FIG. 1 is a front view of the desk fan showing my new design;
FIG. 2 is a rear view thereof;
FIG. 3 is a side view thereof;
FIG. 4 is a side view thereof;
FIG. 5 is a top view thereof;
FIG. 6 is a bottom view thereof;
FIG. 7 is a perspective view thereof; and,
FIG. 8 is a rear perspective view thereof.

(56) **References Cited**

U.S. PATENT DOCUMENTS

D391,357 S * 2/1998 Chi D23/382

1 Claim, 8 Drawing Sheets



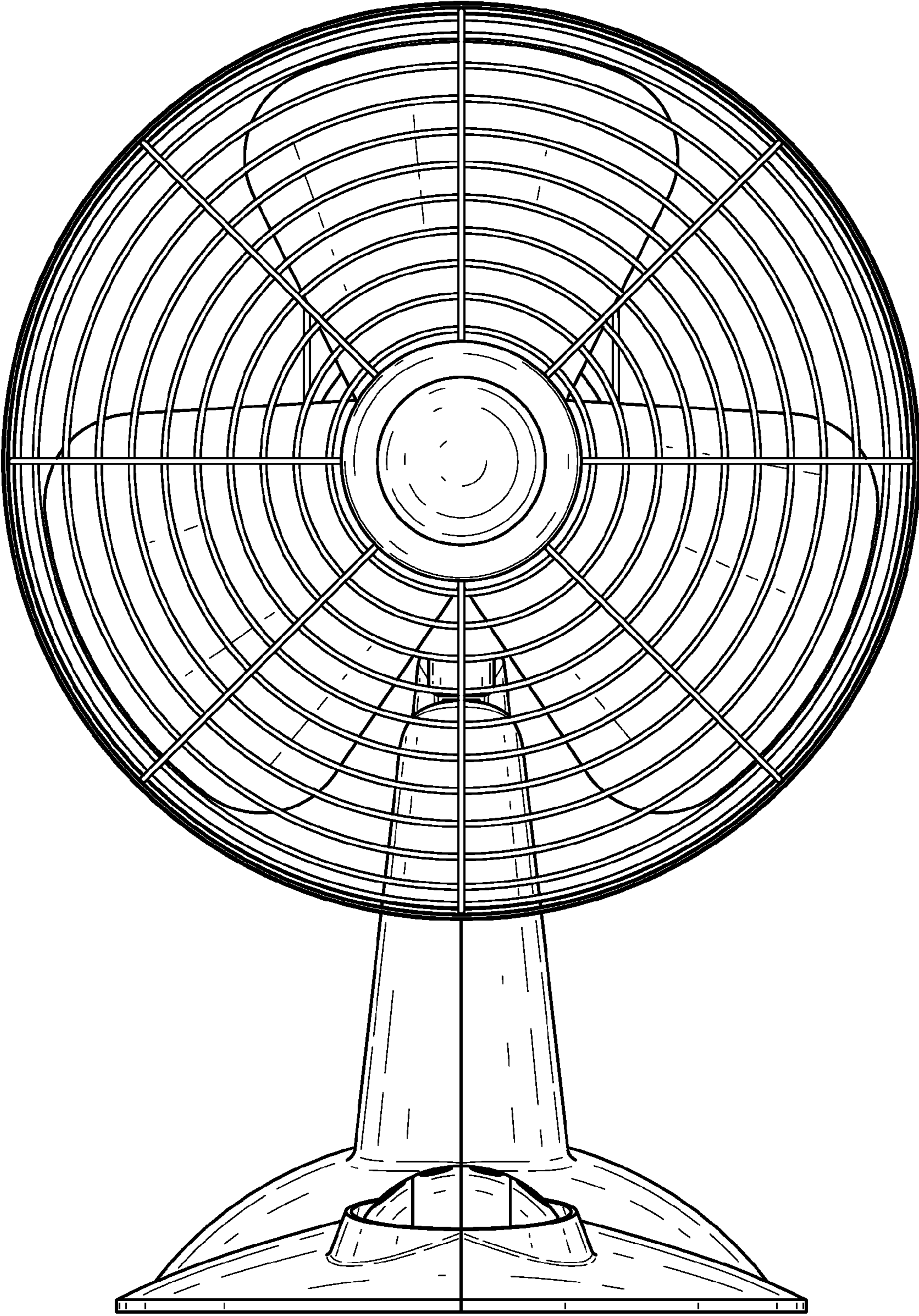


Fig.1

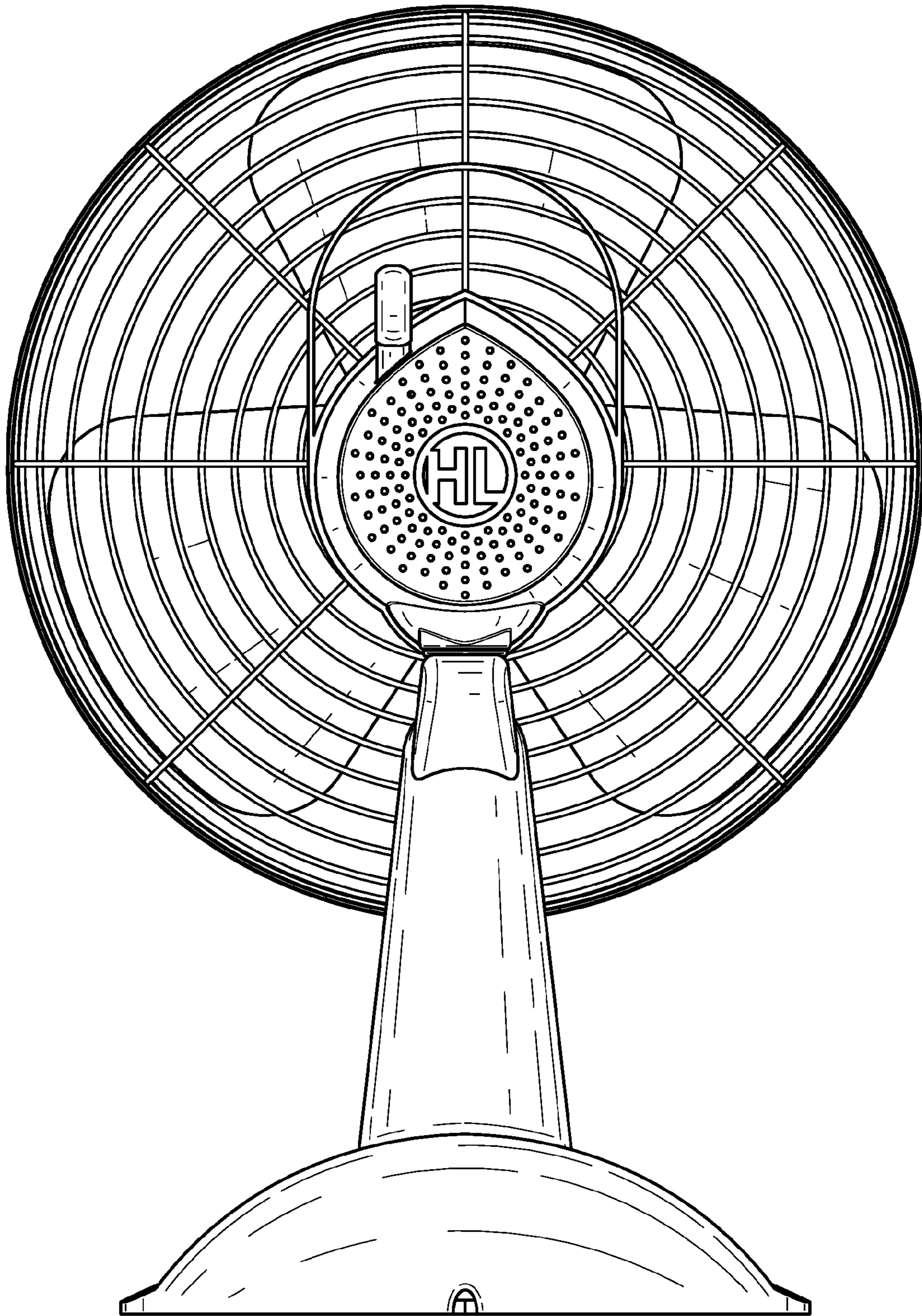


Fig.2

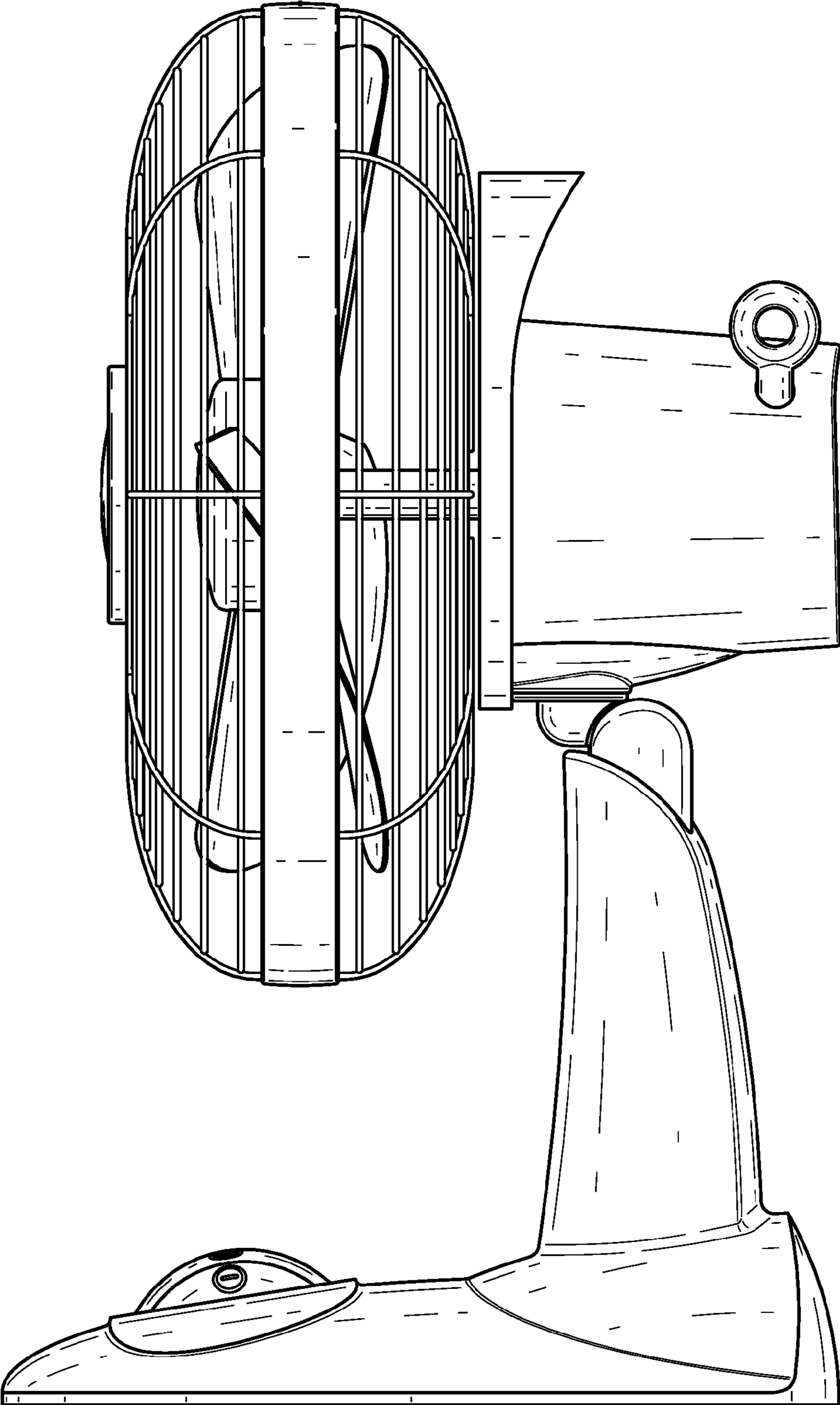


Fig.3

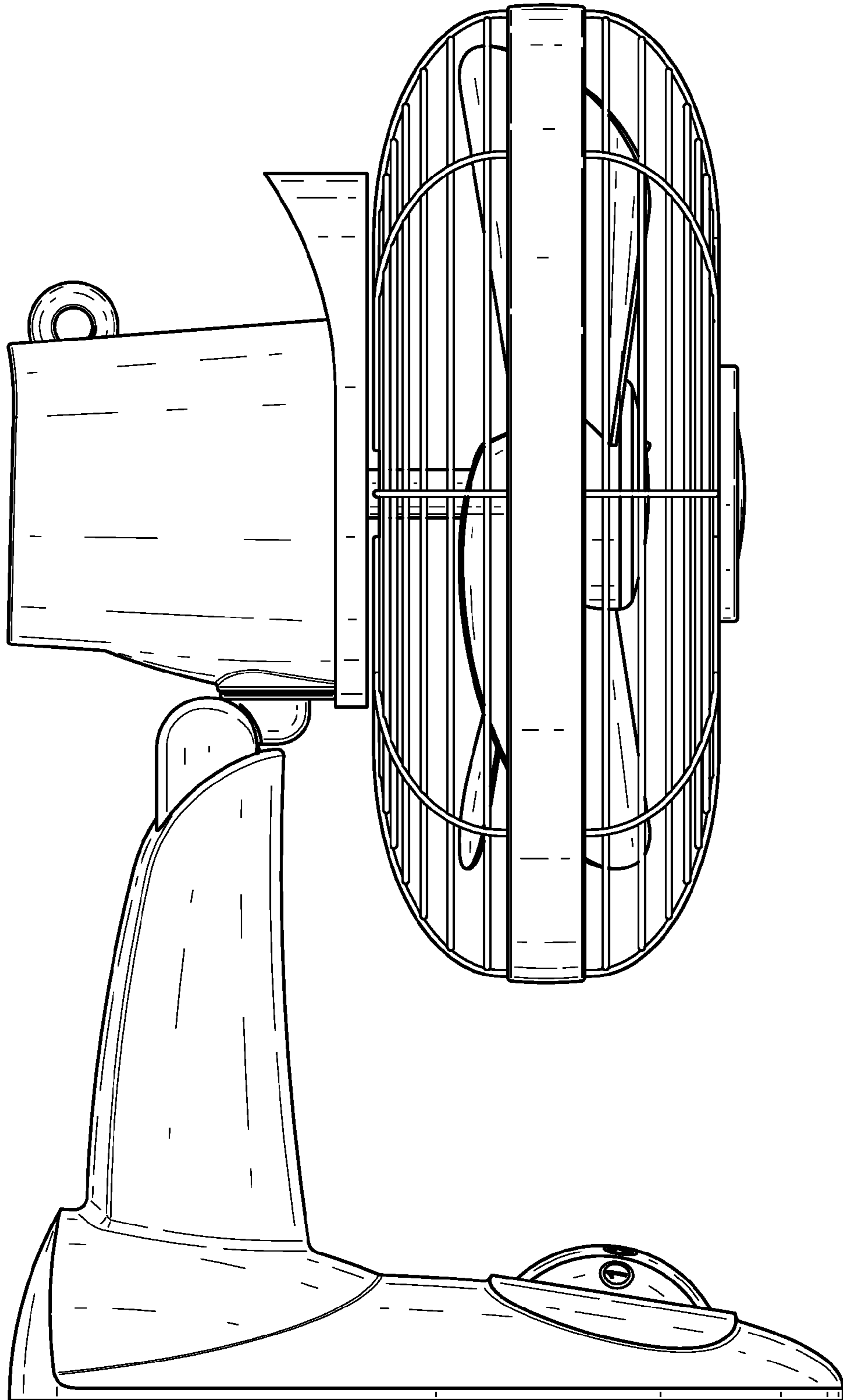


Fig.4

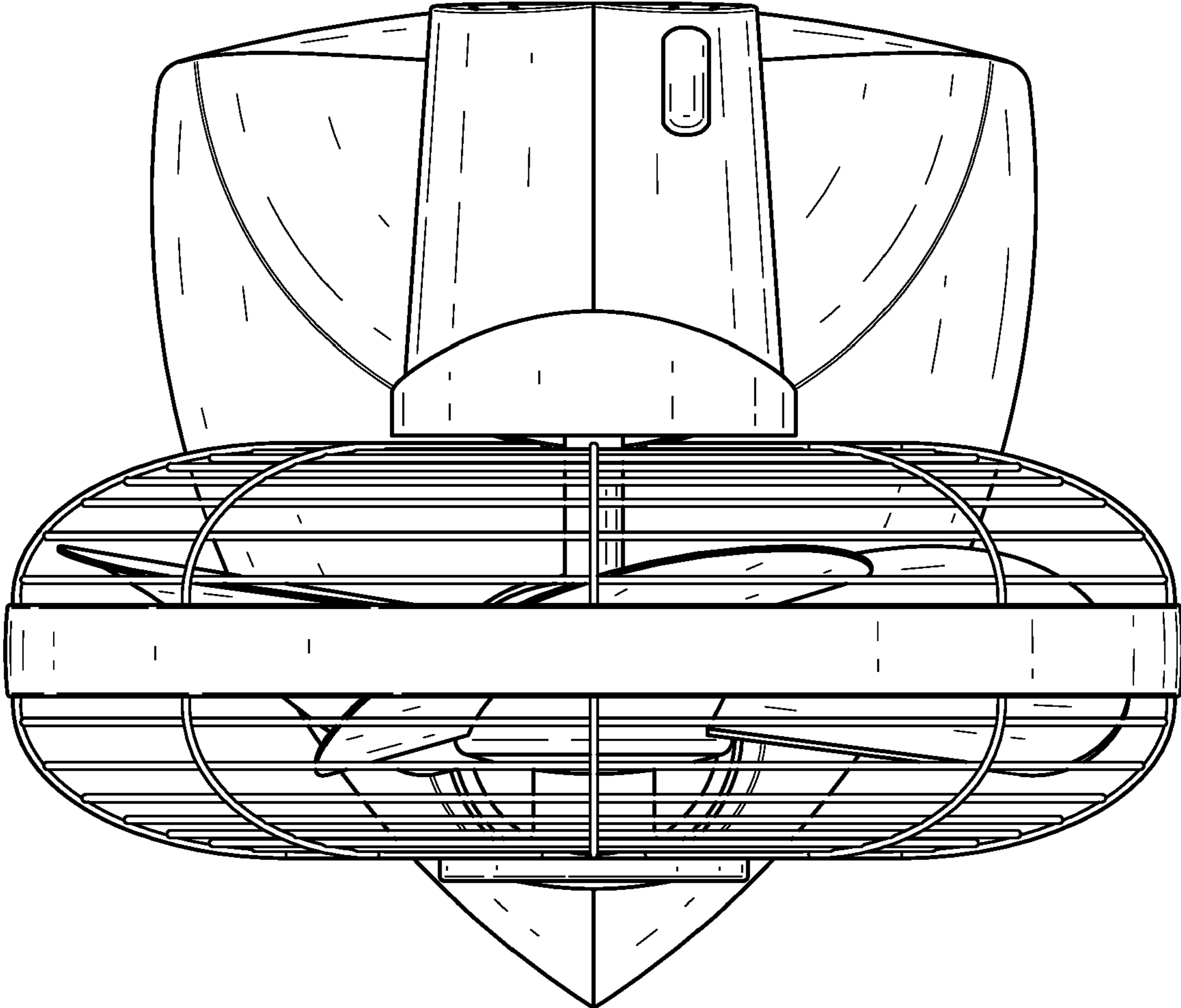


Fig.5

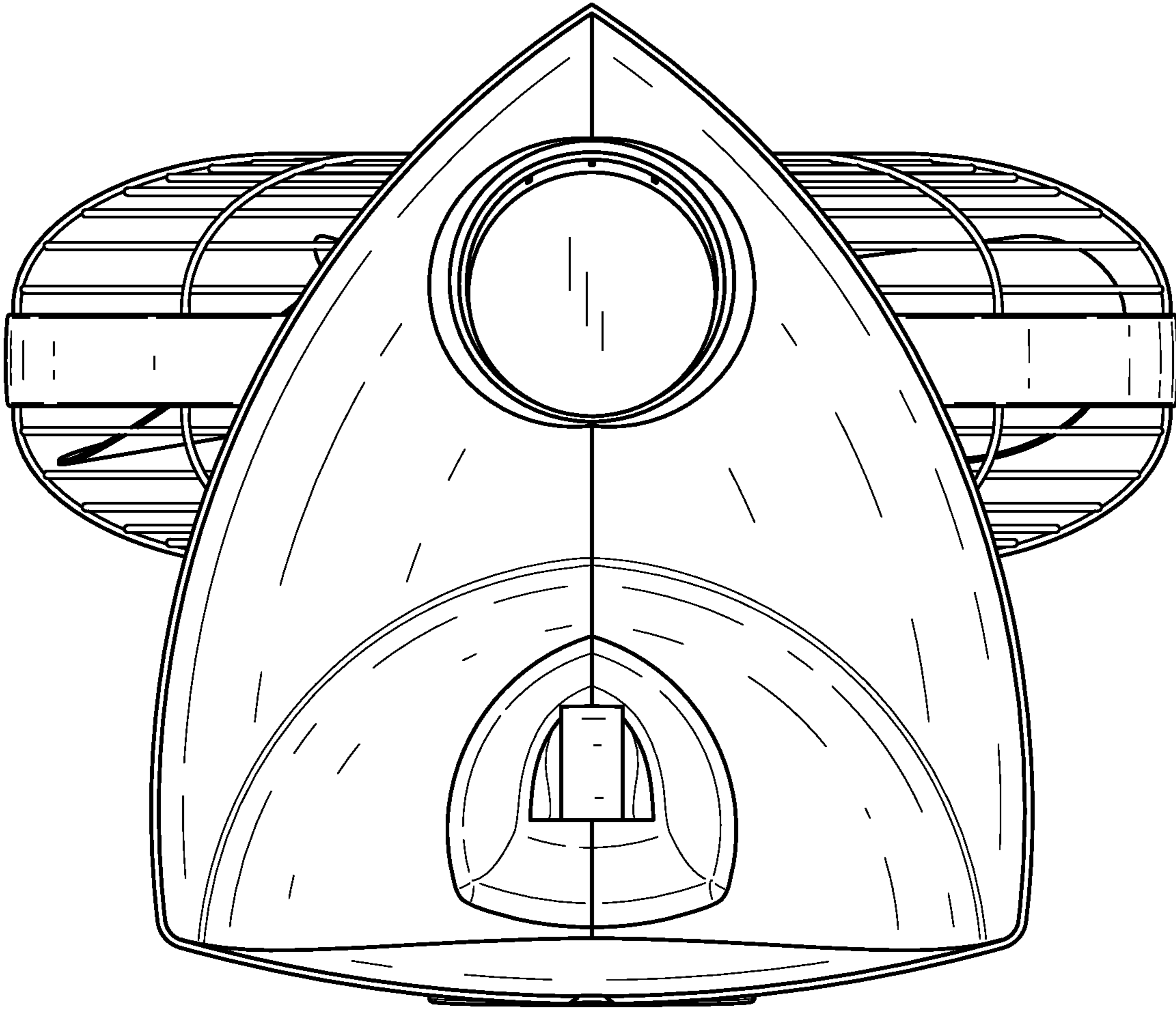


Fig.6

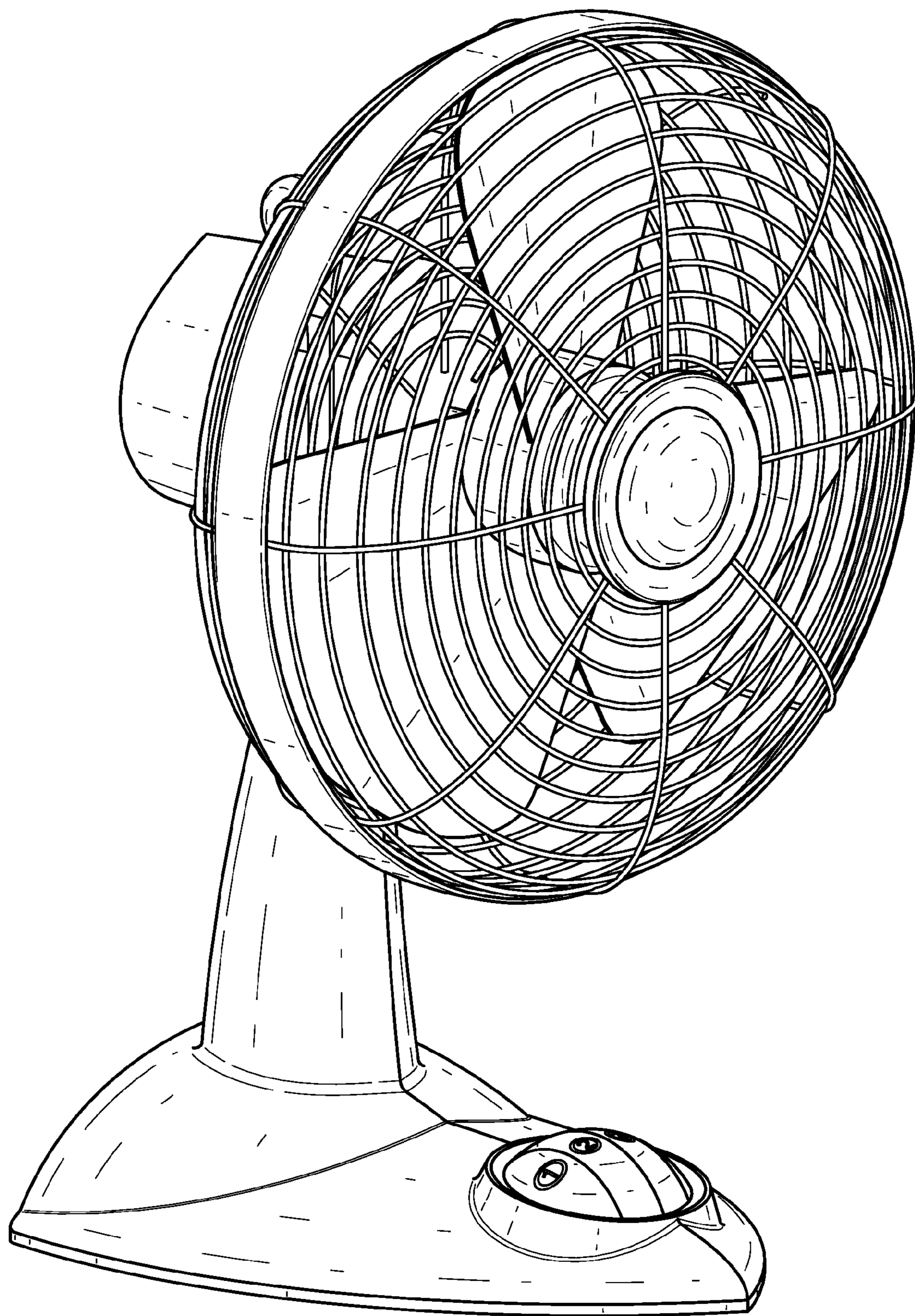


Fig.7

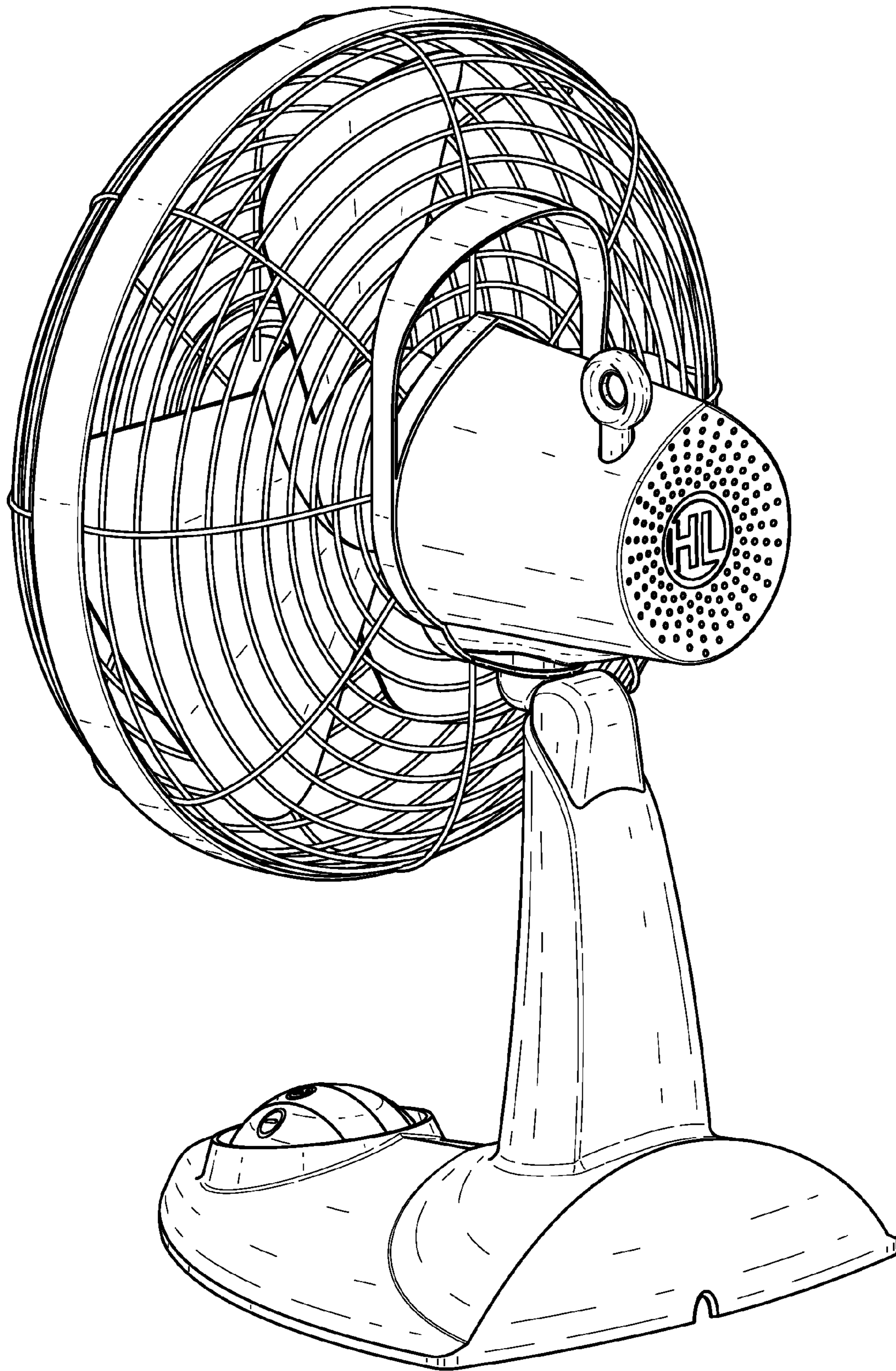


Fig.8