



US00D613390S

(12) **United States Design Patent**
Jørgensen

(10) **Patent No.:** **US D613,390 S**

(45) **Date of Patent:** **** Apr. 6, 2010**

(54) **AROMATIC NEBULIZING DIFFUSER**

(57) **CLAIM**

(75) **Inventor:** **Carsten Jørgensen**, Kastanienbaum
(CH)

The ornamental design for an aromatic nebulizing diffuser, as shown and described.

(73) **Assignee:** **Jen Ming Hsiao**, Miaoli County (TW)

DESCRIPTION

(**) **Term:** **14 Years**

FIG. 1 is a perspective view of a partially transparent aromatic nebulizing diffuser embodying the design;

(21) **Appl. No.:** **29/340,169**

FIG. 2 is a front view of a partially transparent aromatic nebulizing diffuser embodying the design shown in FIG. 1;

(22) **Filed:** **Jul. 14, 2009**

FIG. 3 is a rear view of a partially transparent aromatic nebulizing diffuser embodying the design shown in FIG. 1;

(51) **LOC (9) Cl.** **28-99**

FIG. 4 is a left side view of a partially transparent aromatic nebulizing diffuser embodying the design shown in FIG. 1;

(52) **U.S. Cl.** **D23/366**

FIG. 5 is a right side view of a partially transparent aromatic nebulizing diffuser embodying the design shown in FIG. 1;

(58) **Field of Classification Search** D23/355-369;
D28/5, 6; 261/DIG. 17, DIG. 42, DIG. 65,
261/DIG. 88, DIG. 89; 392/386, 390, 391,
392/392, 394, 395; 239/34, 35, 43-45, 53,
239/56, 57, 60, 326

FIG. 6 is a top plan of a partially transparent aromatic nebulizing diffuser embodying the design shown in FIG. 1; and

See application file for complete search history.

FIG. 7 is a bottom view of a partially transparent aromatic nebulizing diffuser embodying the design shown in FIG. 1;

(56) **References Cited**

FIG. 8 is a perspective view of a second embodiment of an aromatic nebulizing diffuser embodying the design;

U.S. PATENT DOCUMENTS

D212,286 S *	9/1968	Mitchell	D23/362
D217,719 S *	6/1970	McNair	D23/362
3,812,853 A *	5/1974	Crain	128/200.17
D258,535 S *	3/1981	Reichl	D24/110
D267,898 S *	2/1983	Burian et al.	D23/362
D273,415 S *	4/1984	Rogers	D23/362
6,708,690 B1 *	3/2004	Hete et al.	128/204.18
6,842,918 B2 *	1/2005	Fung	4/537
D510,990 S *	10/2005	Farchione	D23/366
D549,313 S *	8/2007	Kelnhofer	D23/360

FIG. 9 is a front view of an aromatic nebulizing diffuser embodying the design shown in FIG. 8;

FIG. 10 is a rear view of an aromatic nebulizing diffuser embodying the design shown in FIG. 8;

FIG. 11 is a left side view of an aromatic nebulizing diffuser embodying the design shown in FIG. 8;

FIG. 12 is a right side view of an aromatic nebulizing diffuser embodying the design shown in FIG. 8;

FIG. 13 is a top plan of an aromatic nebulizing diffuser embodying the design shown in FIG. 8; and,

FIG. 14 is a bottom view of an aromatic nebulizing diffuser embodying the design shown in FIG. 8.

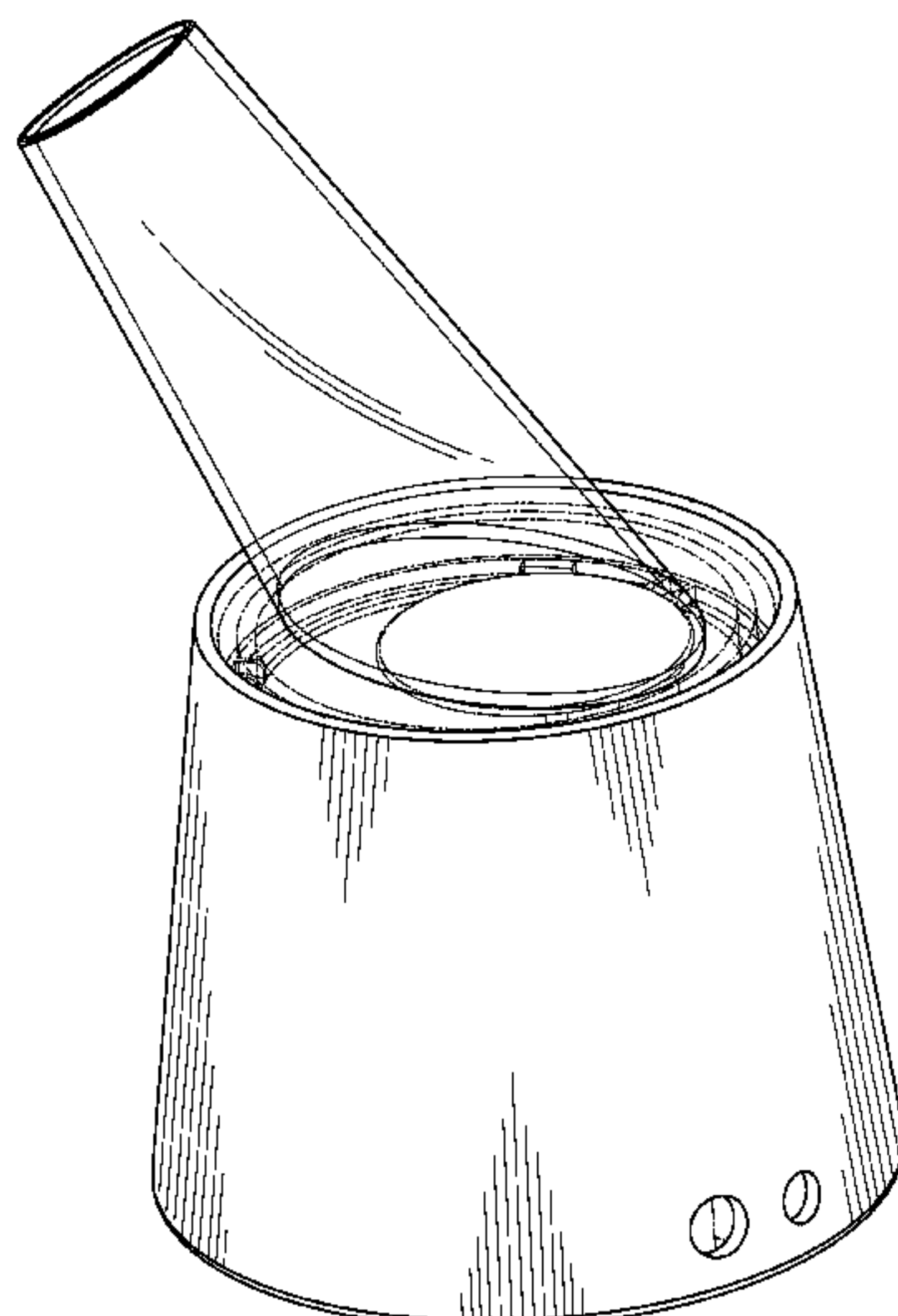
* cited by examiner

The broken lines shown in the drawings are for illustrative purposes only and form no part of the claimed design.

Primary Examiner—Sandra Snapp

1 Claim, 14 Drawing Sheets

(74) *Attorney, Agent, or Firm*—Ming Chow; Sinorica, LLC



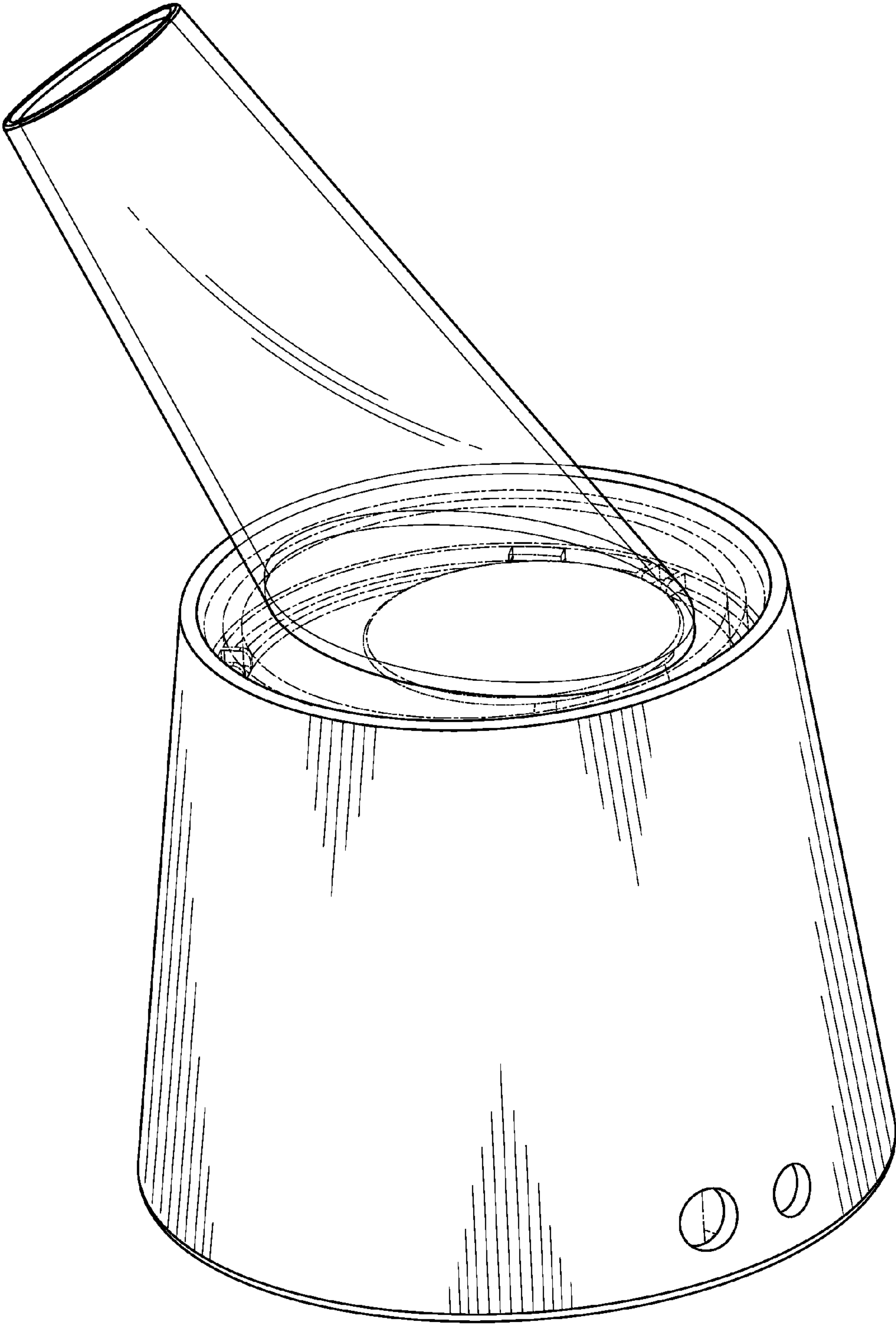


FIG. 1

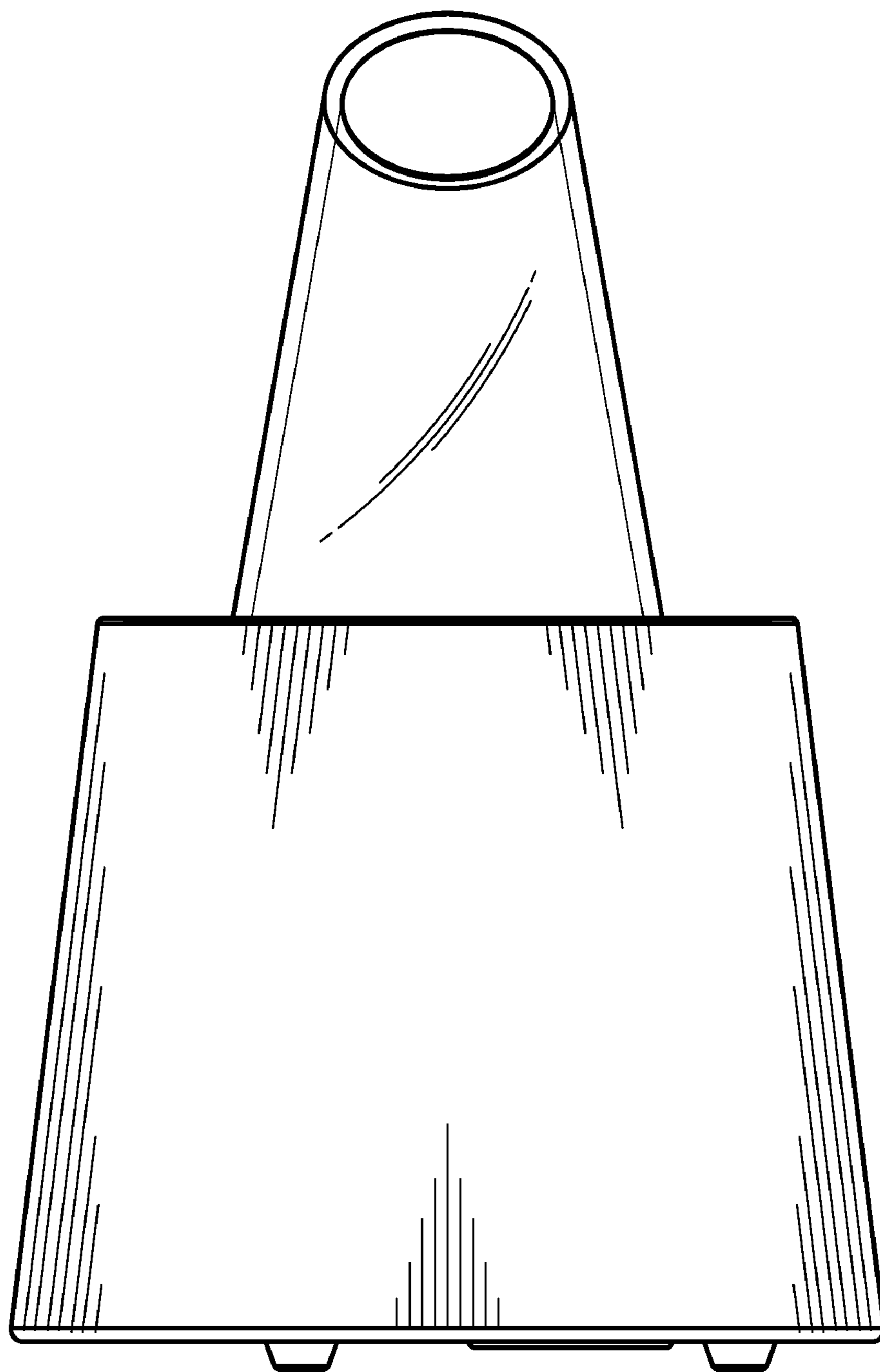


FIG. 2

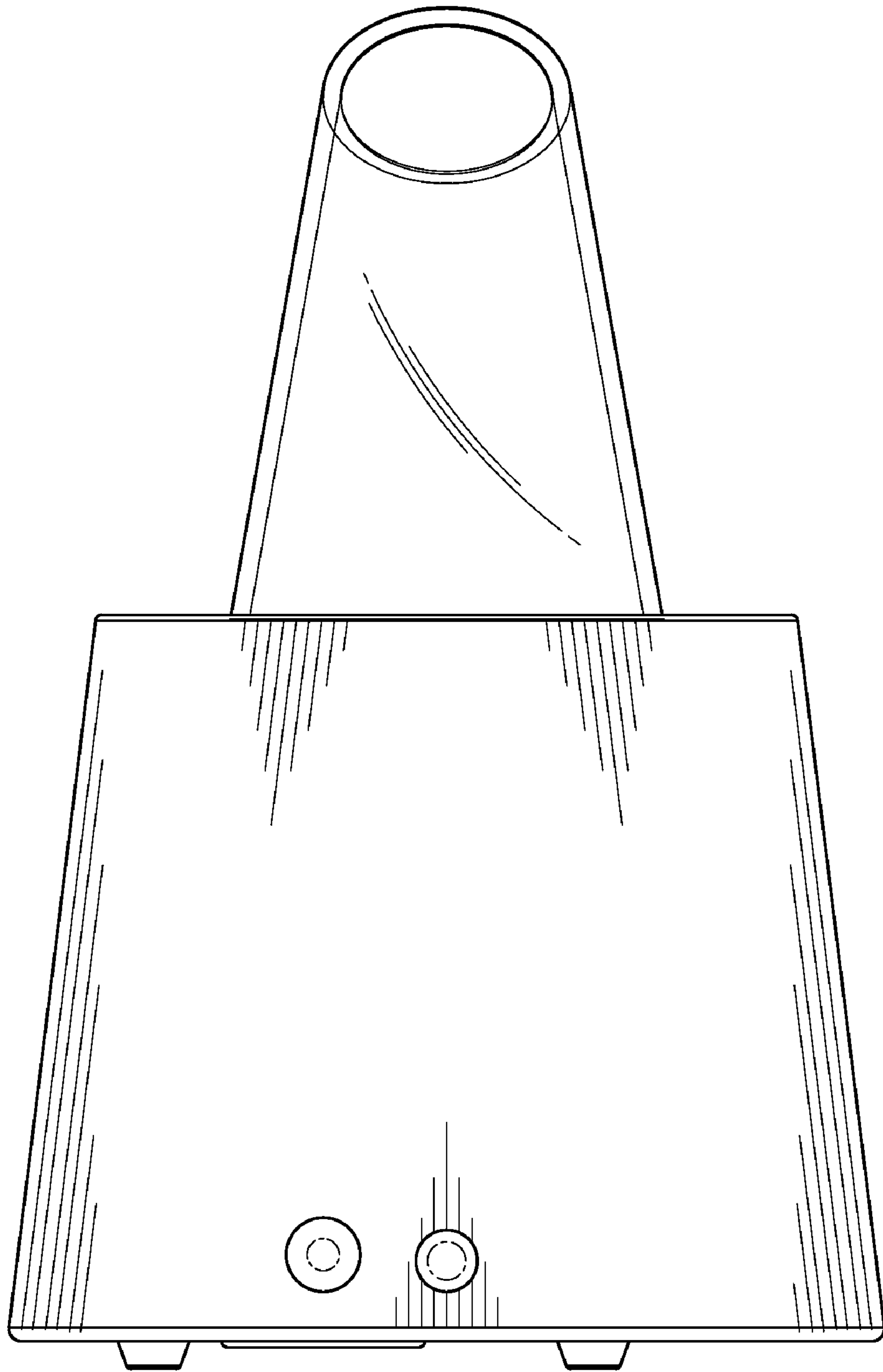


FIG. 3

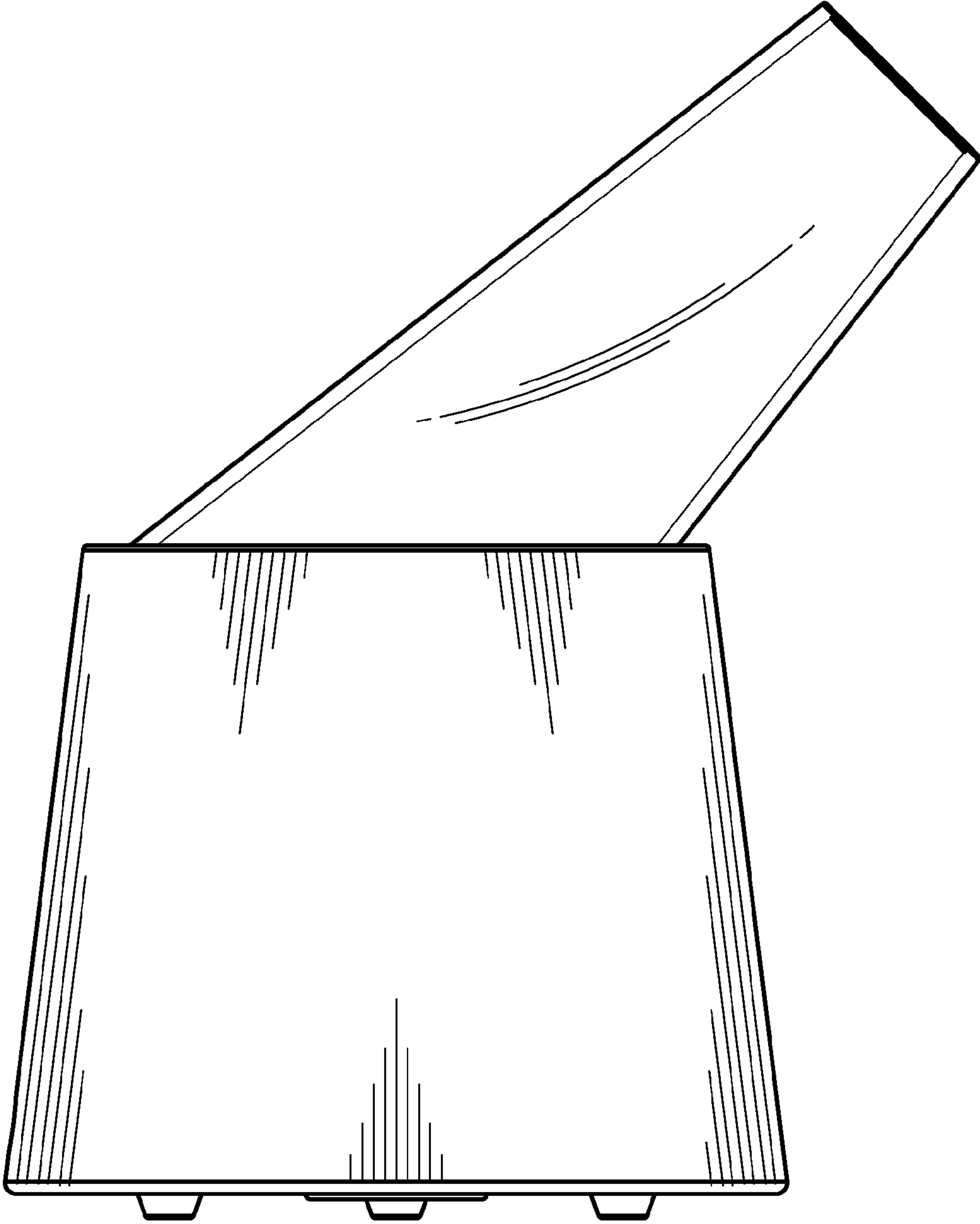


FIG. 4

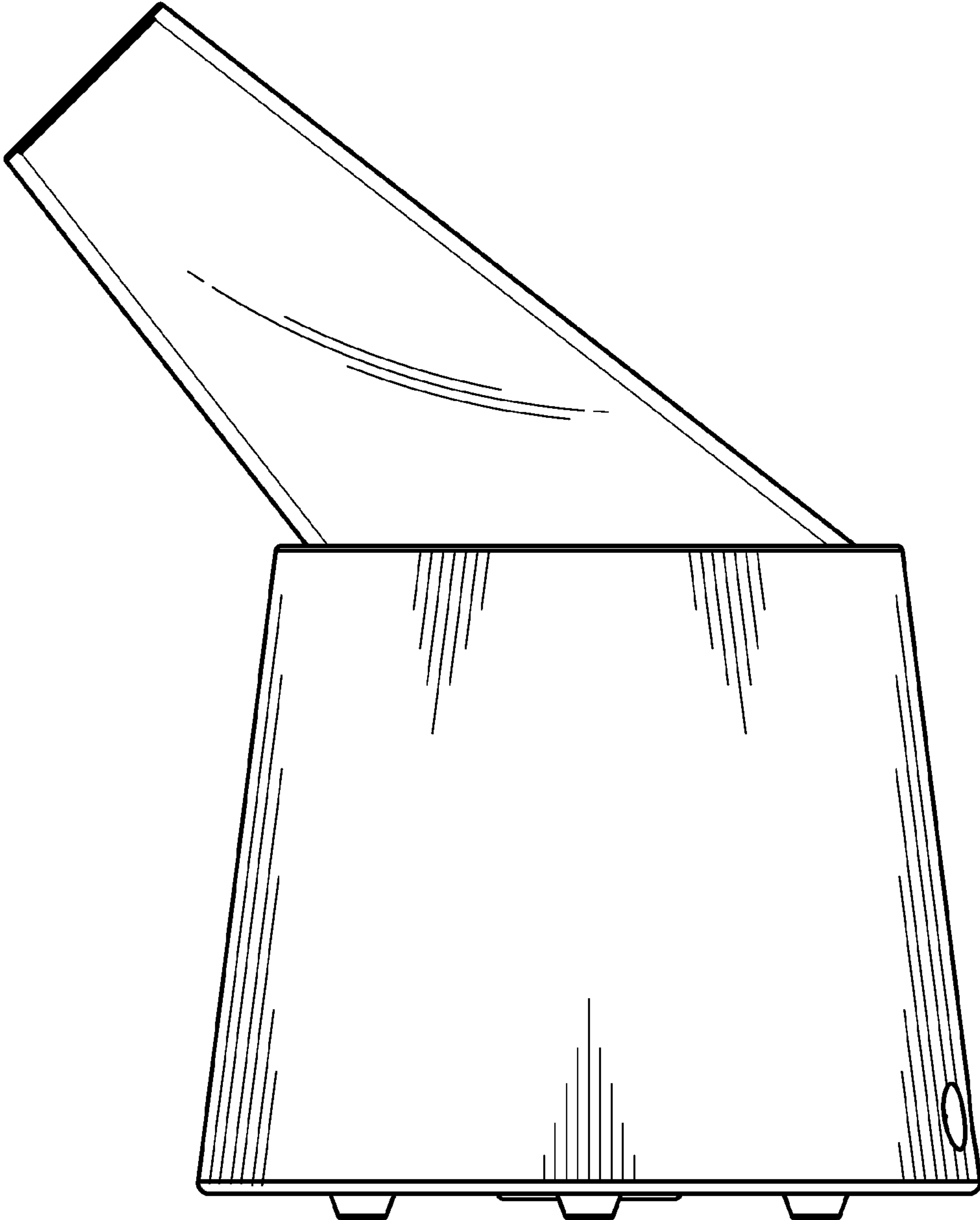


FIG. 5

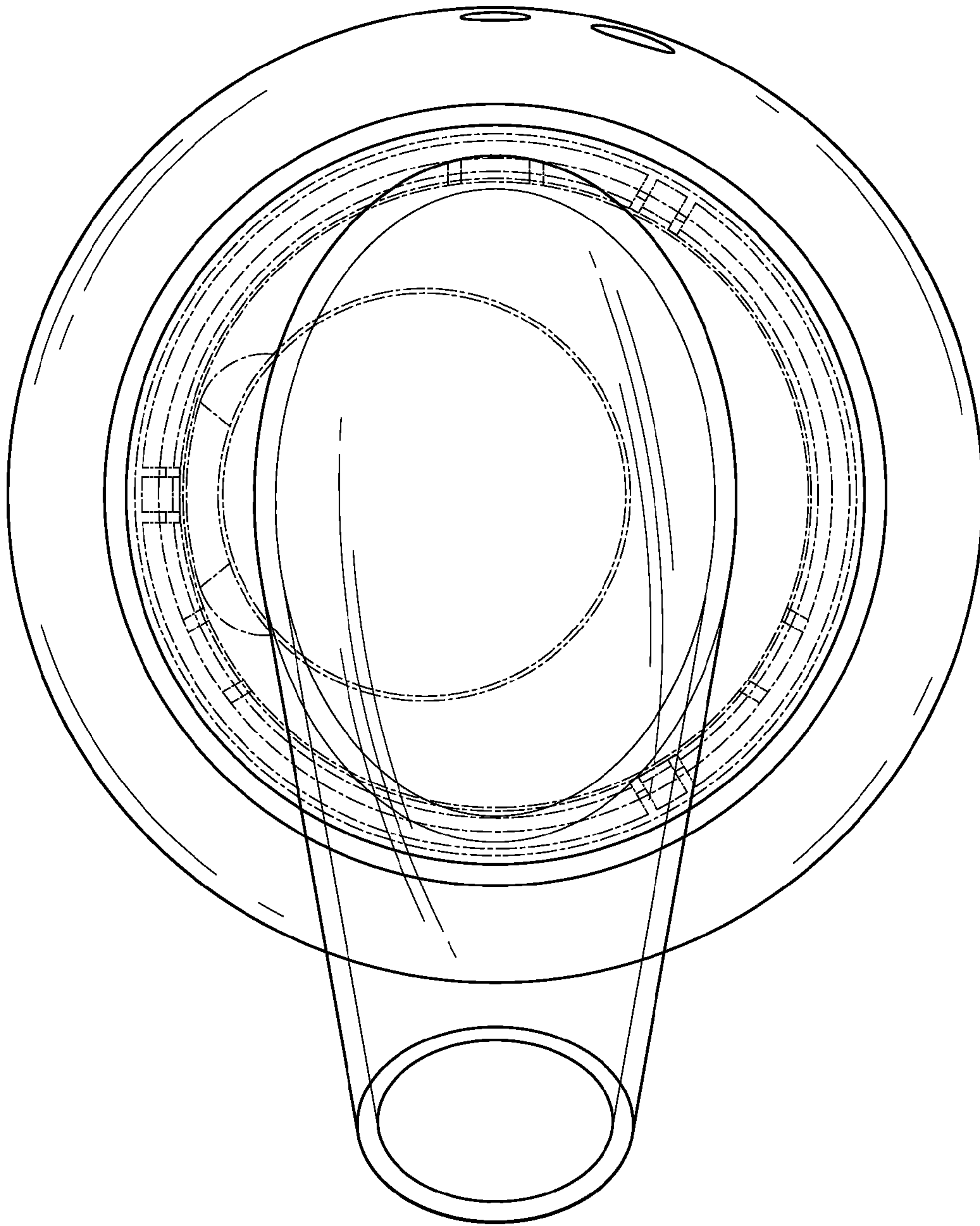


FIG. 6

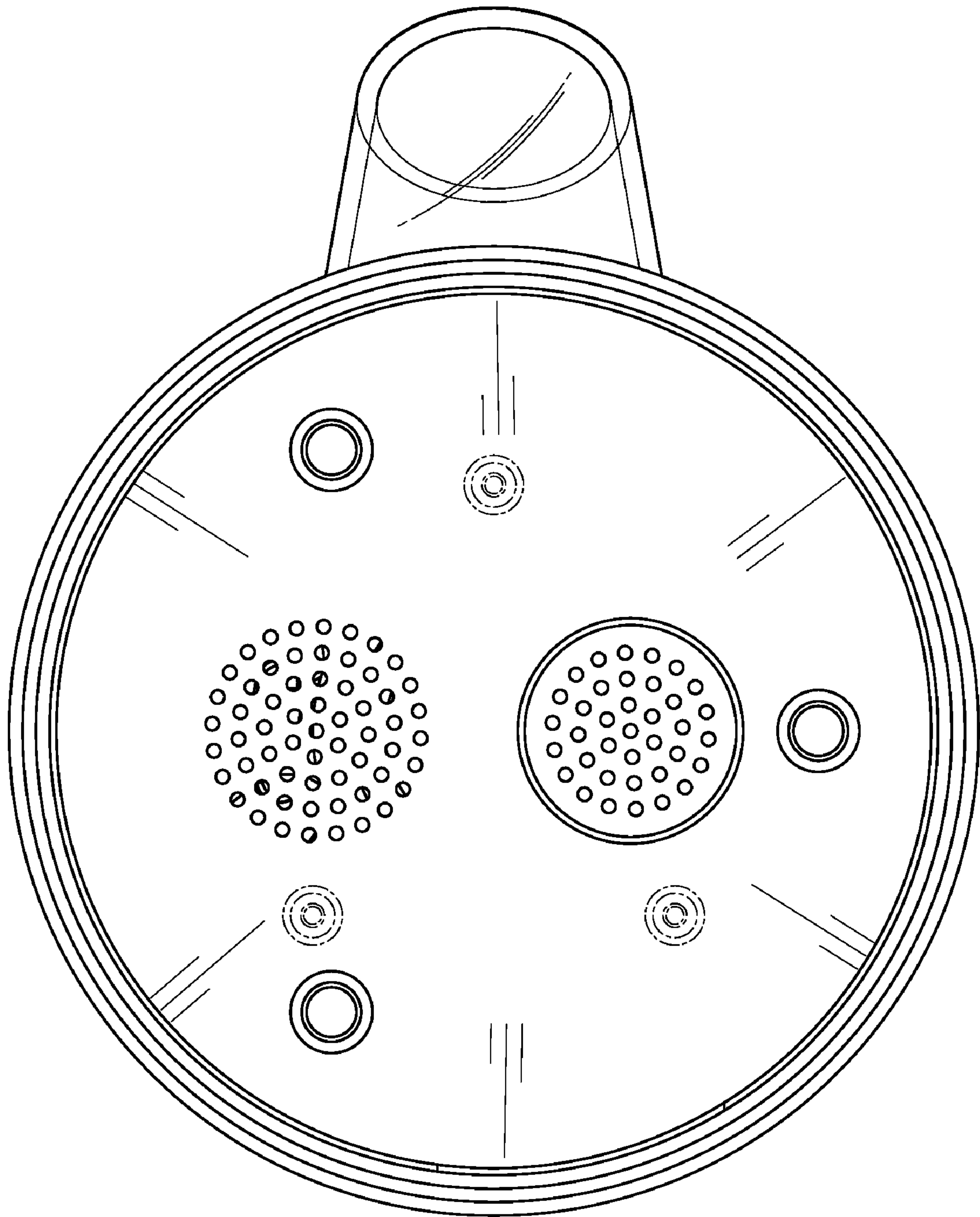


FIG. 7

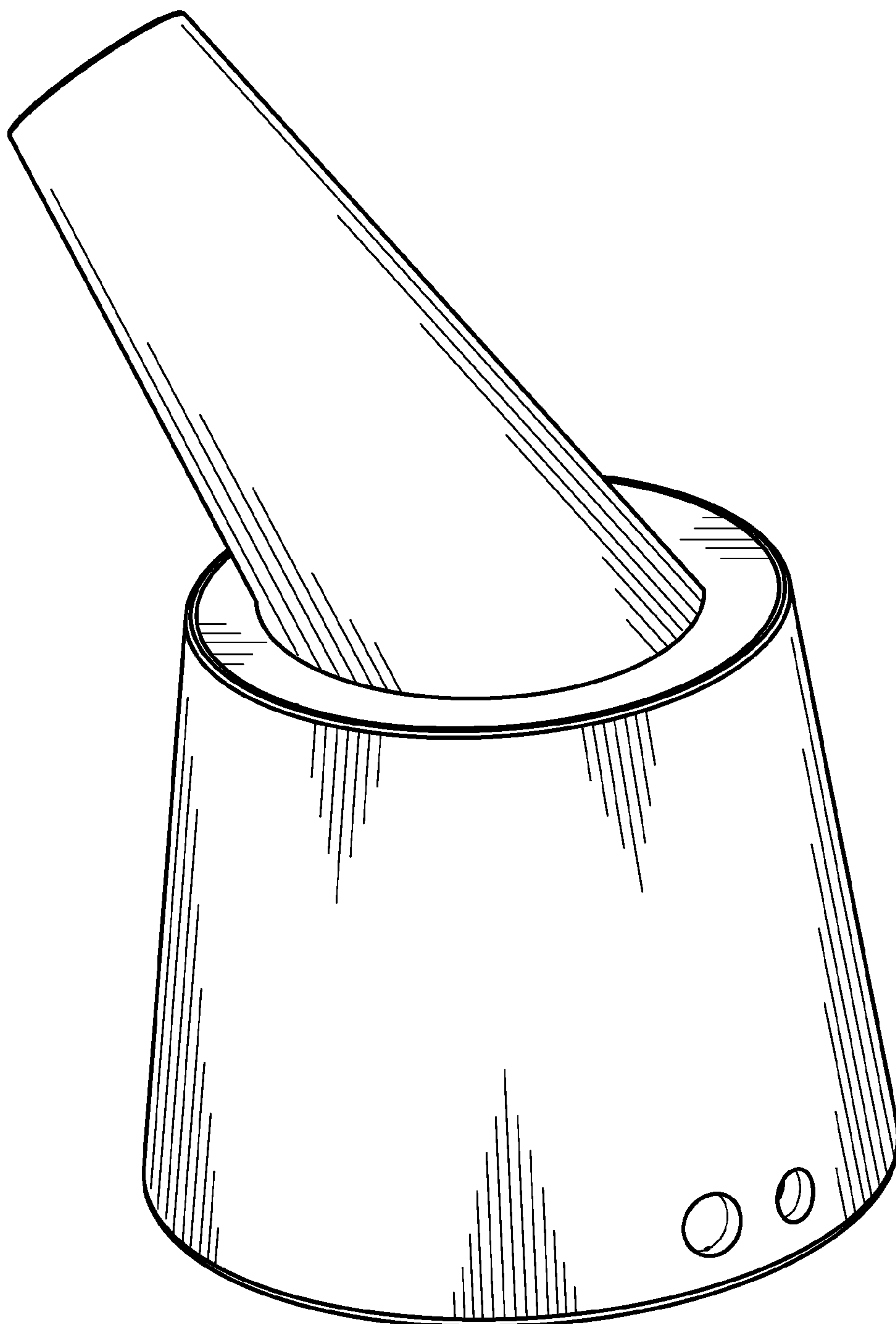


FIG. 8

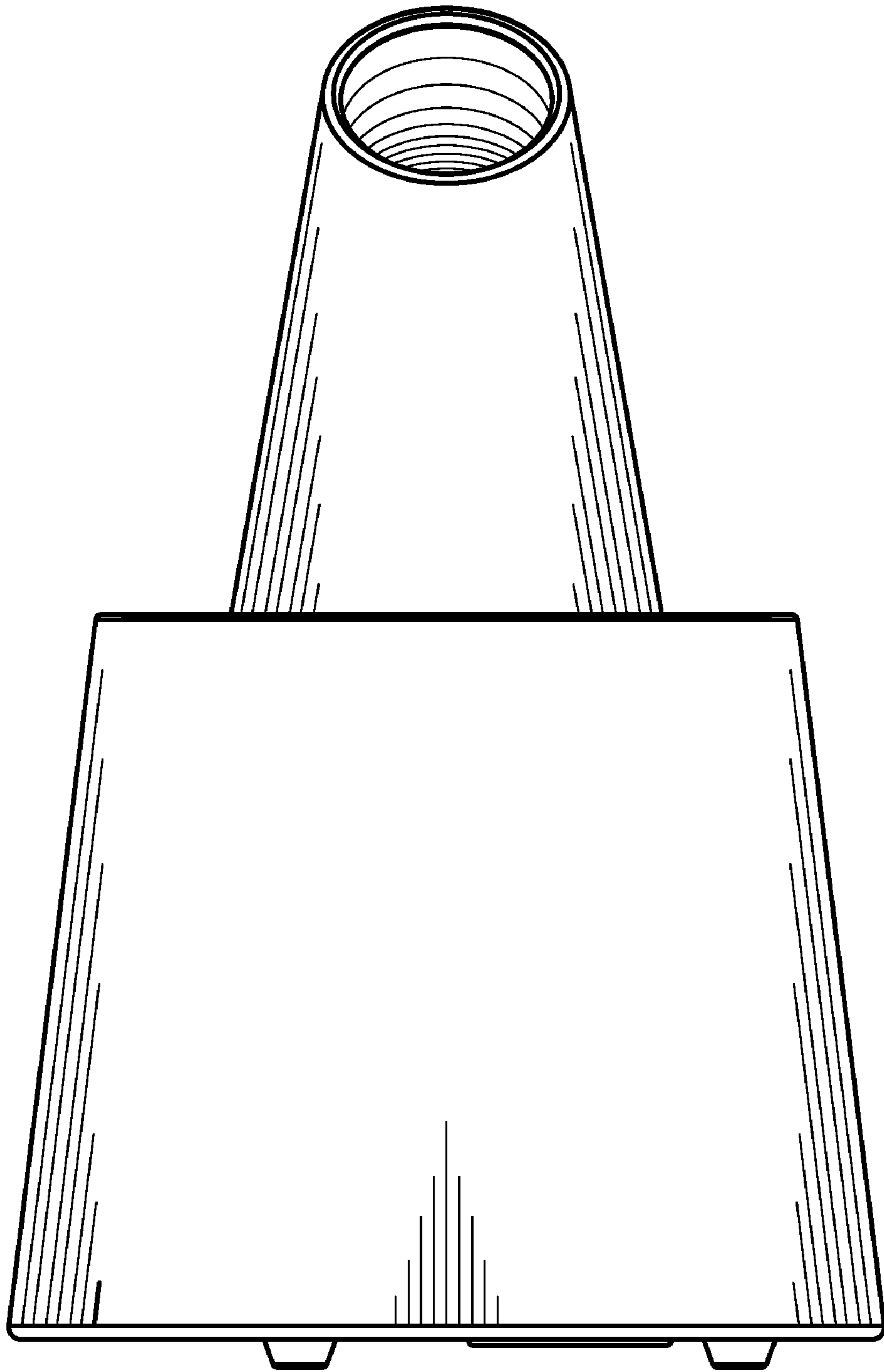


FIG. 9

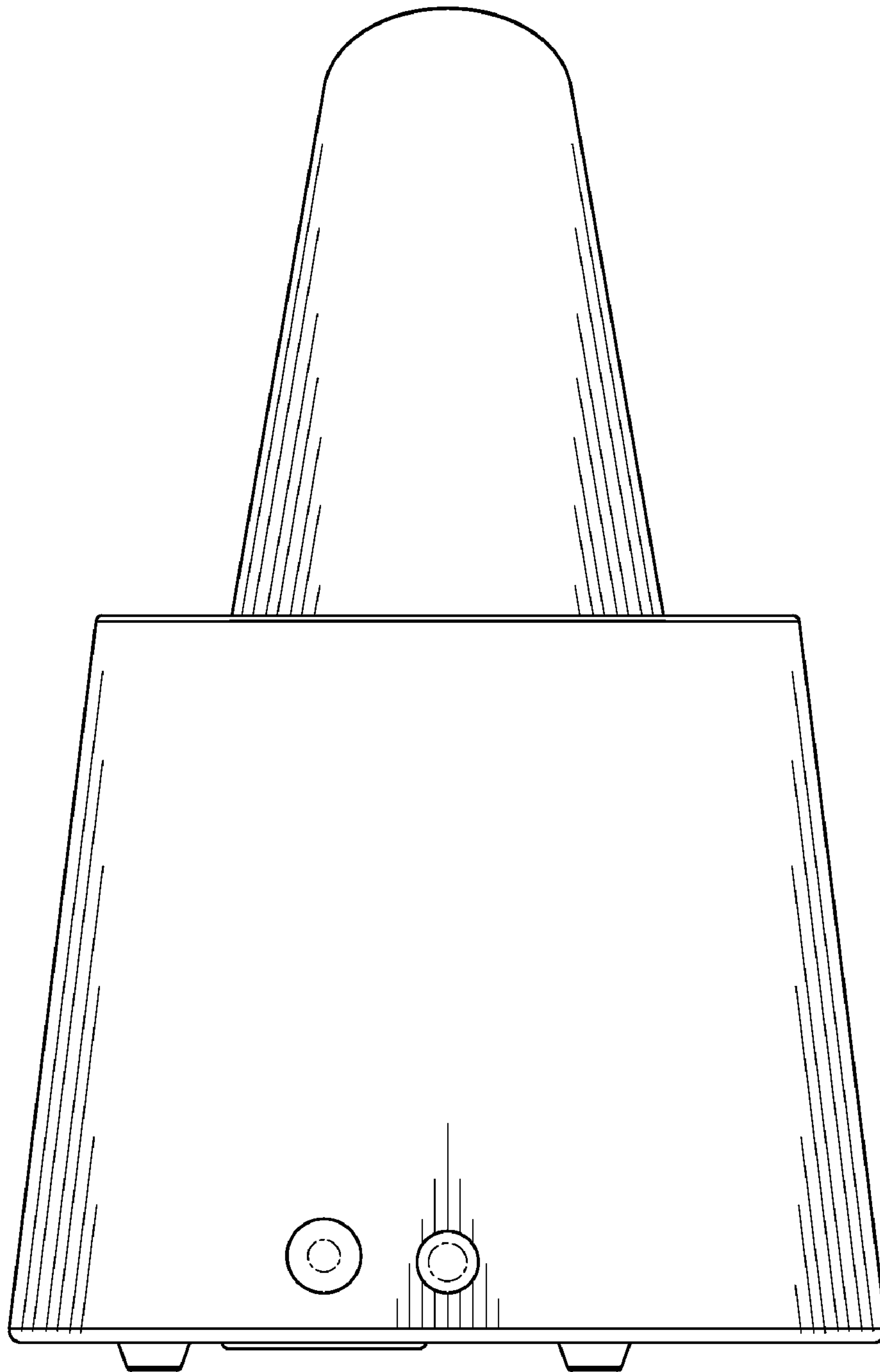


FIG. 10

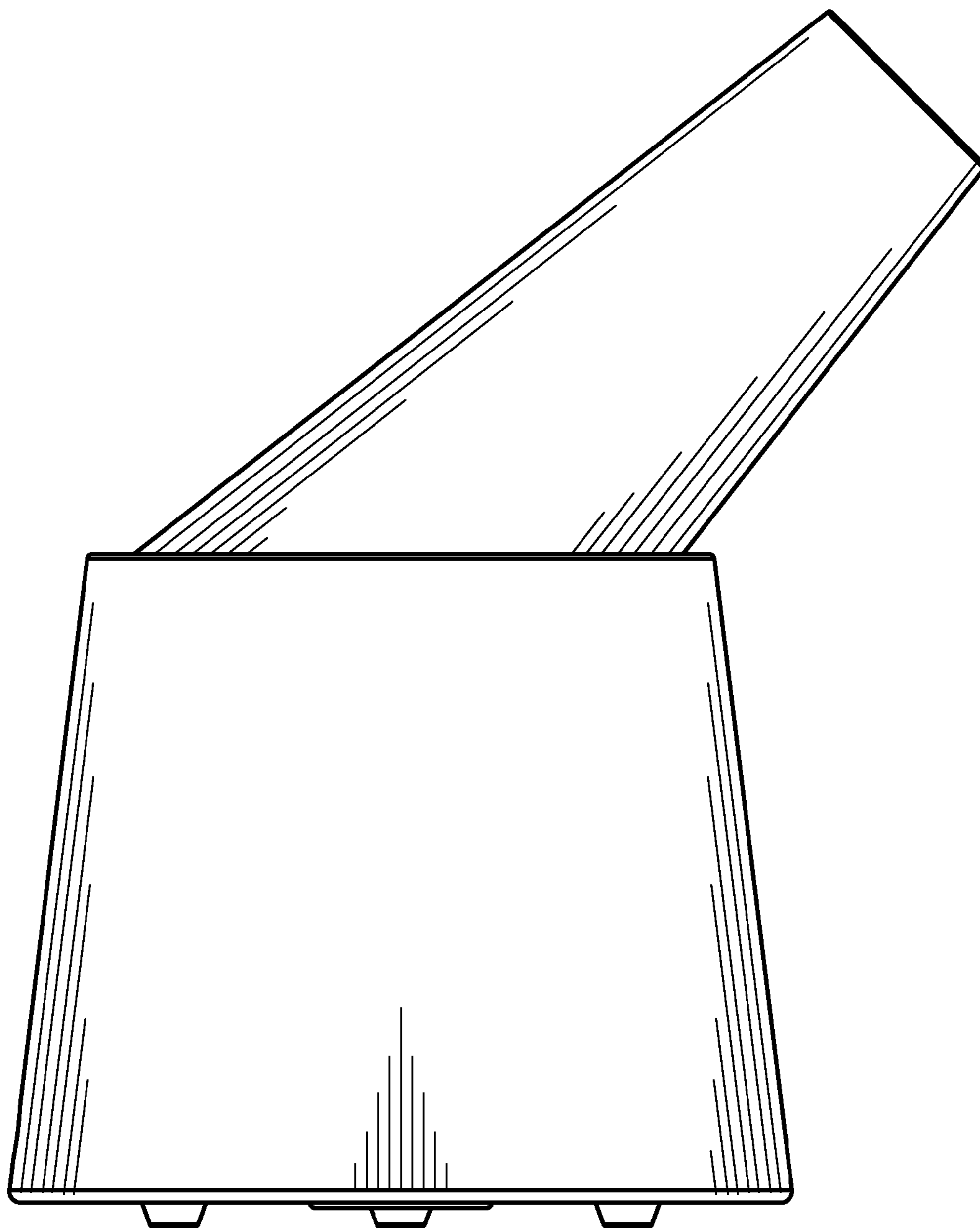


FIG. 11

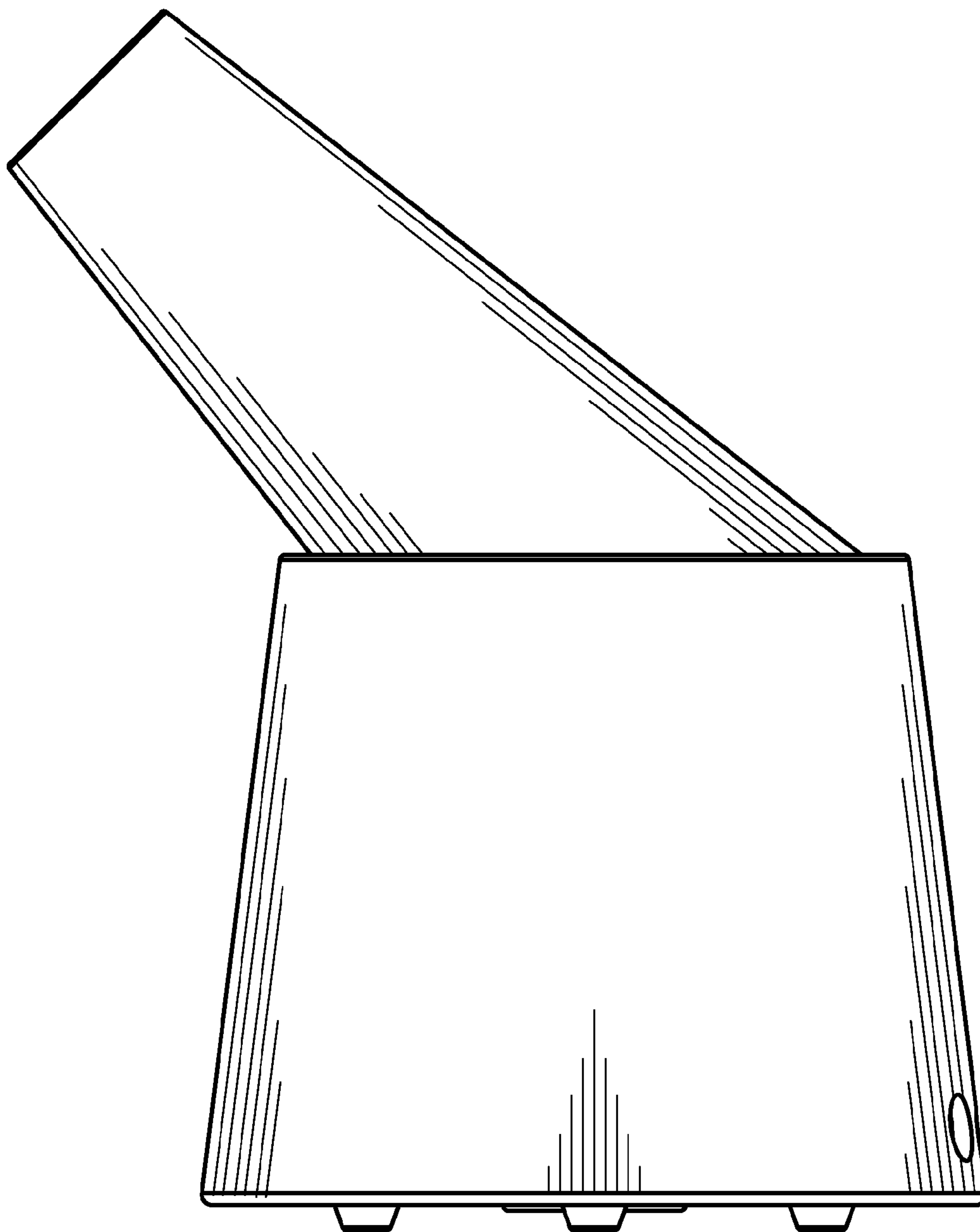


FIG. 12

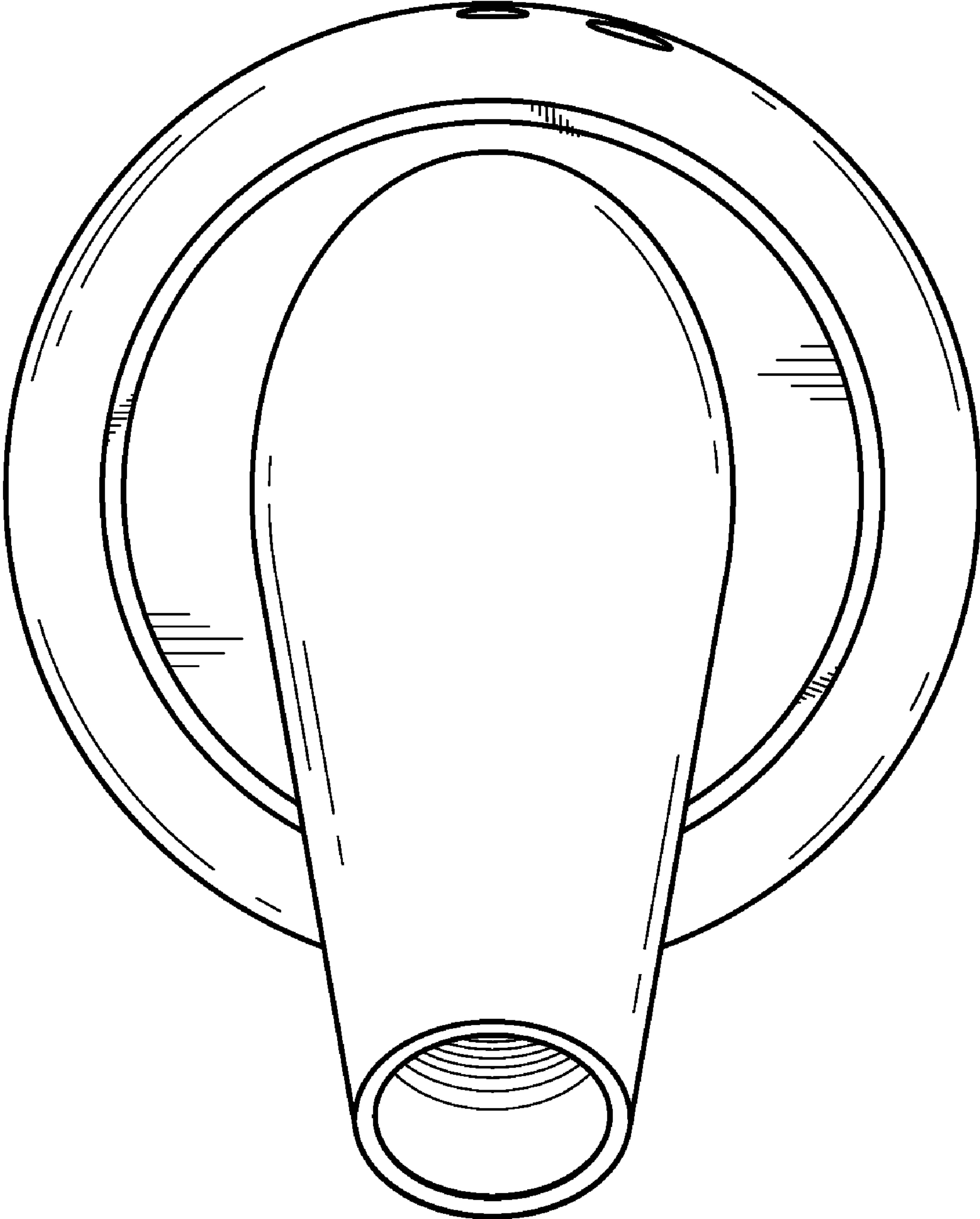


FIG. 13

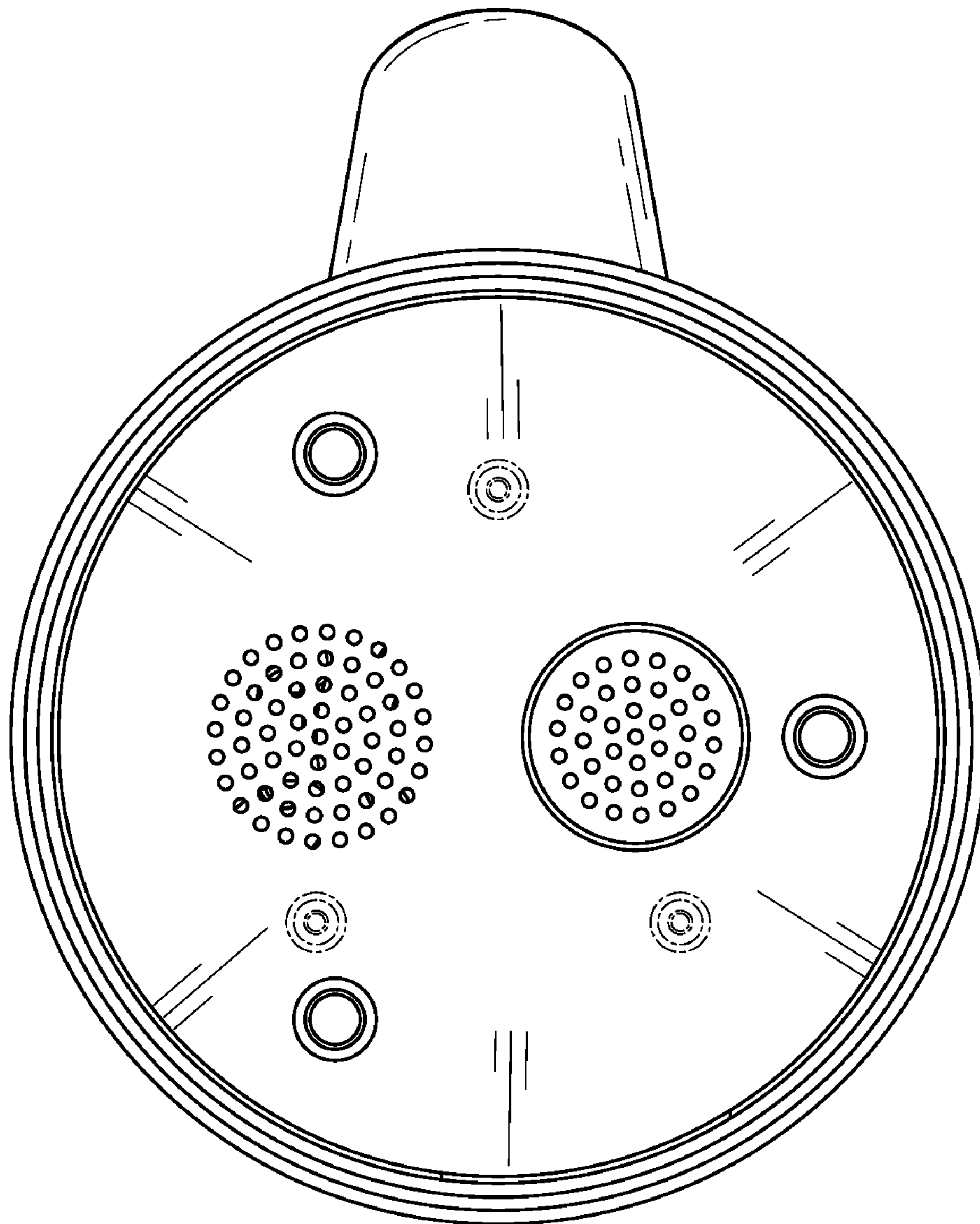


FIG. 14