



US00D613389S

(12) **United States Design Patent**
Jørgensen

(10) **Patent No.:** **US D613,389 S**
(45) **Date of Patent:** **** Apr. 6, 2010**

(54) **AROMATIC NEBULIZING DIFFUSER**

DESCRIPTION

- (75) Inventor: **Carsten Jørgensen**, Kastanienbaum (CH)
- (73) Assignee: **Ming Jen Hsiao**, Miaoli County (TW)
- (**) Term: **14 Years**
- (21) Appl. No.: **29/340,168**
- (22) Filed: **Jul. 14, 2009**
- (51) **LOC (9) Cl.** **28-99**
- (52) **U.S. Cl.** **D23/366**
- (58) **Field of Classification Search** D23/355-369;
D28/5, 6; 261/DIG. 17, DIG. 42, DIG. 65,
261/DIG. 88, DIG. 89; 392/386, 390, 391,
392/392, 394, 395; 239/34, 35, 43-45, 53,
239/56, 57, 60, 326

See application file for complete search history.

(56) **References Cited**

U.S. PATENT DOCUMENTS

D161,669 S *	1/1951	Zonne	D23/362
D244,200 S *	5/1977	Ramos et al.	D23/369
D445,493 S *	7/2001	Nystrom	D23/355
D451,183 S *	11/2001	Hirano et al.	D23/366
D496,451 S *	9/2004	Julos et al.	D23/355
D581,506 S *	11/2008	Kelnhofer	D23/360
D592,295 S *	5/2009	Nanda	D23/356
D597,191 S *	7/2009	Colombo et al.	D23/366

* cited by examiner

Primary Examiner—Sandra Snapp

(74) *Attorney, Agent, or Firm*—Ming Chow; Sinorica, LLC

(57) **CLAIM**

The ornamental design for an aromatic nebulizing diffuser, as shown and described.

FIG. 1 is a perspective view of a partially transparent aromatic nebulizing diffuser embodying the design;

FIG. 2 is a front view of a partially transparent aromatic nebulizing diffuser embodying the design shown in FIG. 1;

FIG. 3 is a rear view of a partially transparent aromatic nebulizing diffuser embodying the design shown in FIG. 1;

FIG. 4 is a left side view of a partially transparent aromatic nebulizing diffuser embodying the design shown in FIG. 1;

FIG. 5 is a right side view of a partially transparent aromatic nebulizing diffuser embodying the design shown in FIG. 1;

FIG. 6 is a top plan of a partially transparent aromatic nebulizing diffuser embodying the design shown in FIG. 1; and

FIG. 7 is a bottom view of a partially transparent aromatic nebulizing diffuser embodying the design shown in FIG. 1;

FIG. 8 is a perspective view of a second embodiment of an aromatic nebulizing diffuser embodying the design;

FIG. 9 is a front view of an aromatic nebulizing diffuser embodying the design shown in FIG. 8;

FIG. 10 is a rear view of an aromatic nebulizing diffuser embodying the design shown in FIG. 8;

FIG. 11 is a left side view of an aromatic nebulizing diffuser embodying the design shown in FIG. 8;

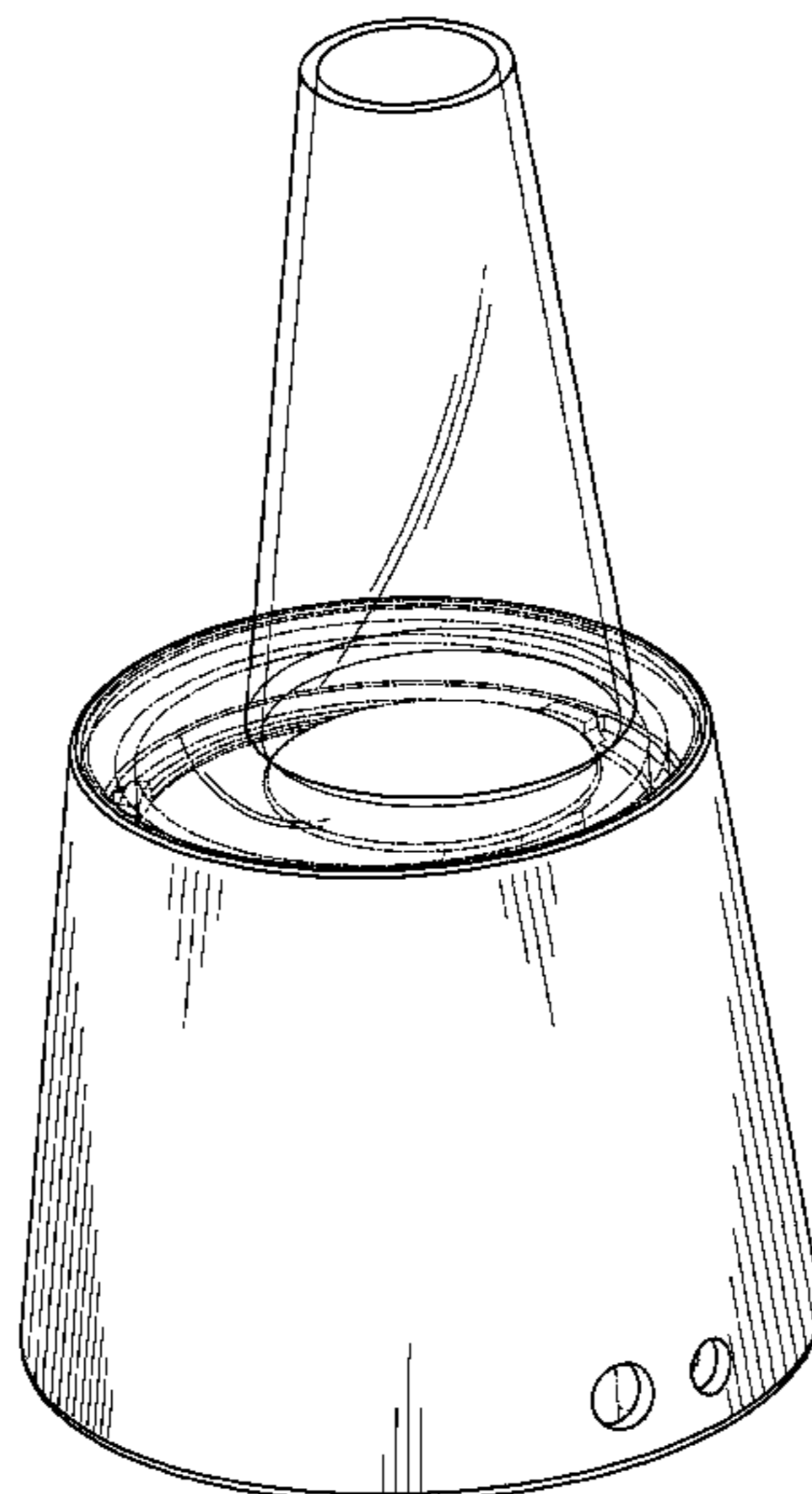
FIG. 12 is a right side view of an aromatic nebulizing diffuser embodying the design shown in FIG. 8;

FIG. 13 is a top plan of an aromatic nebulizing diffuser embodying the design shown in FIG. 8; and,

FIG. 14 is a bottom view of an aromatic nebulizing diffuser embodying the design shown in FIG. 8.

The broken lines shown in the drawings are for illustrative purposes only and form no part of the claimed design.

1 Claim, 14 Drawing Sheets



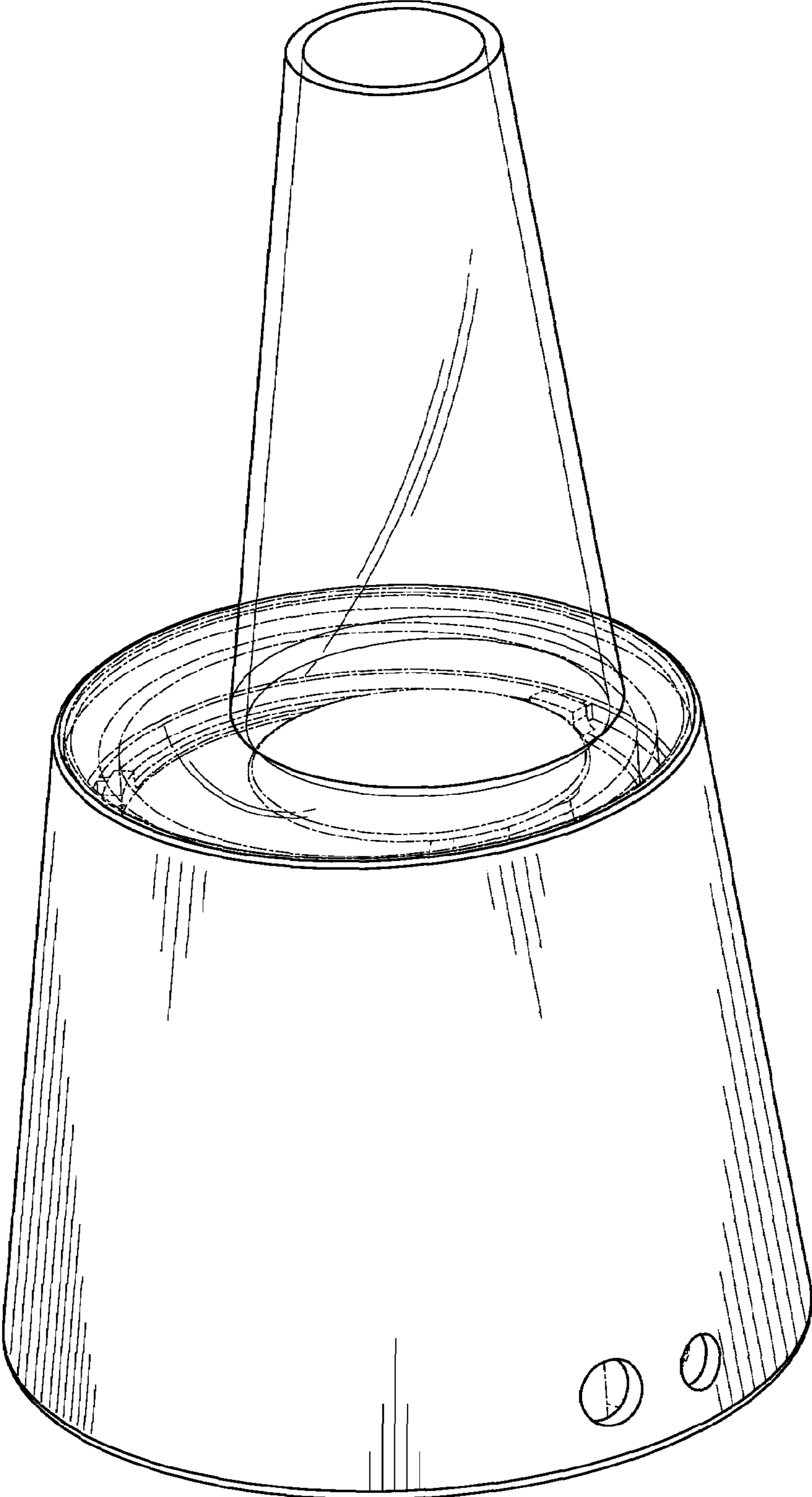


FIG. 1

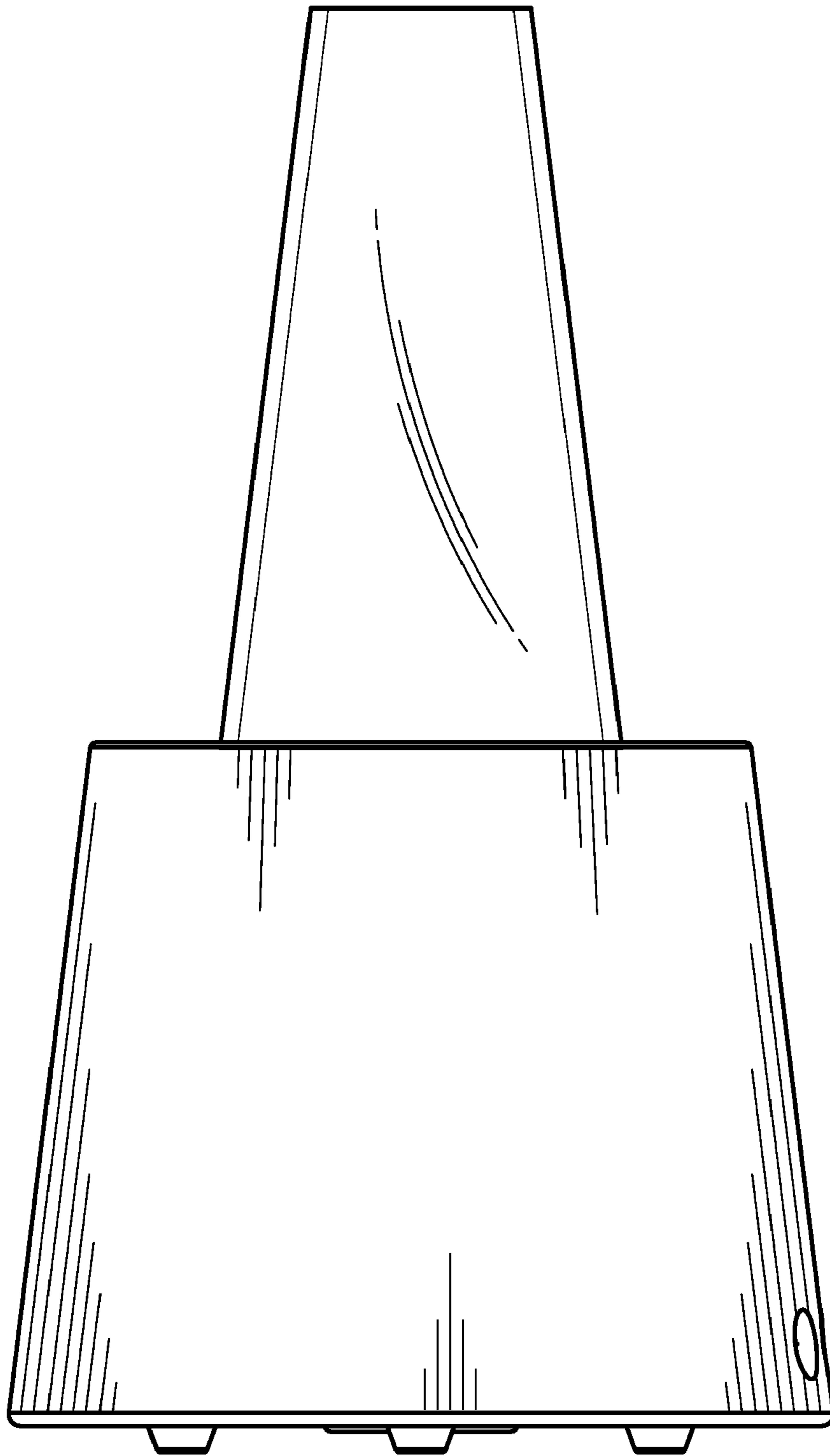


FIG. 2

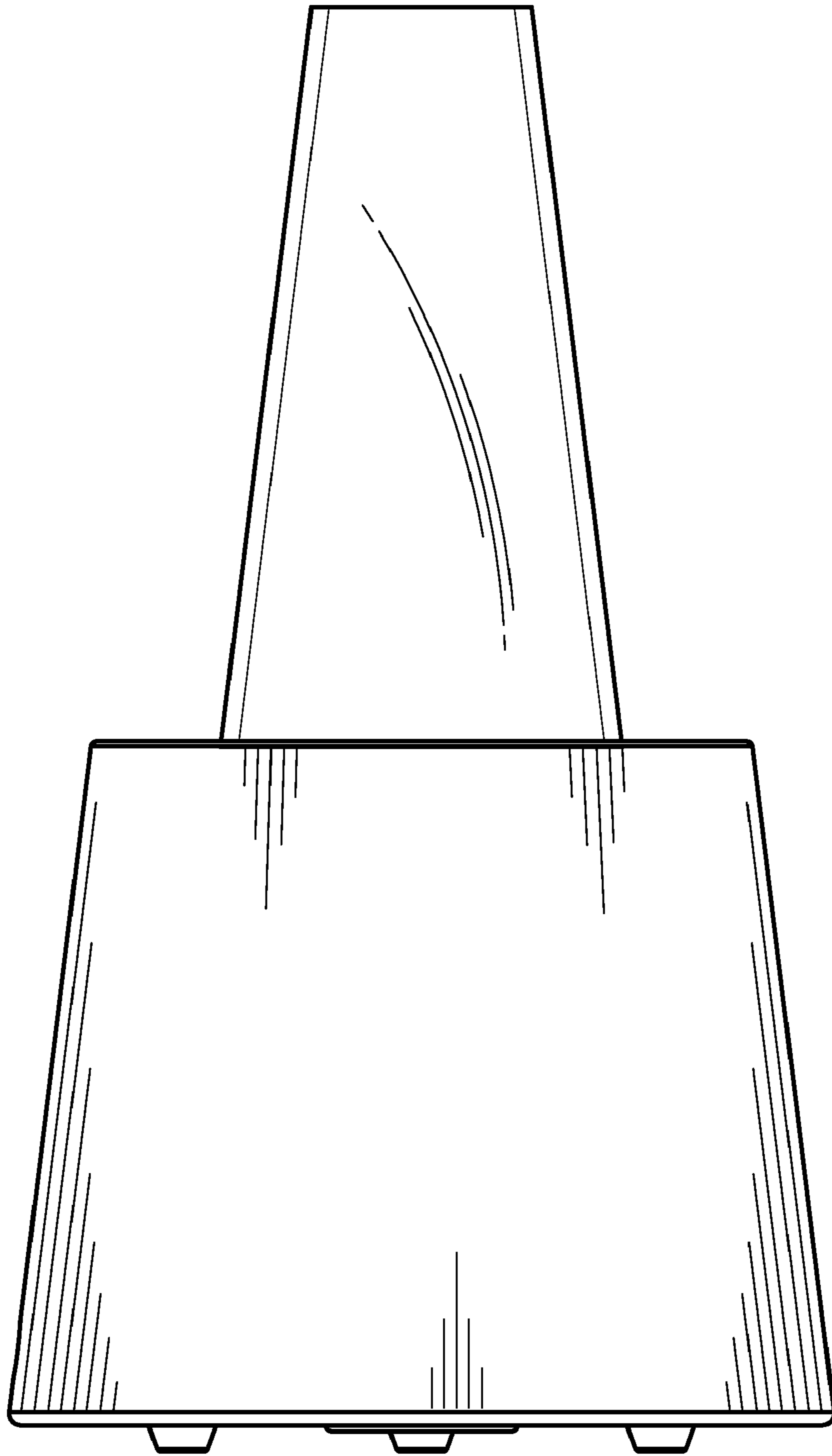


FIG. 3

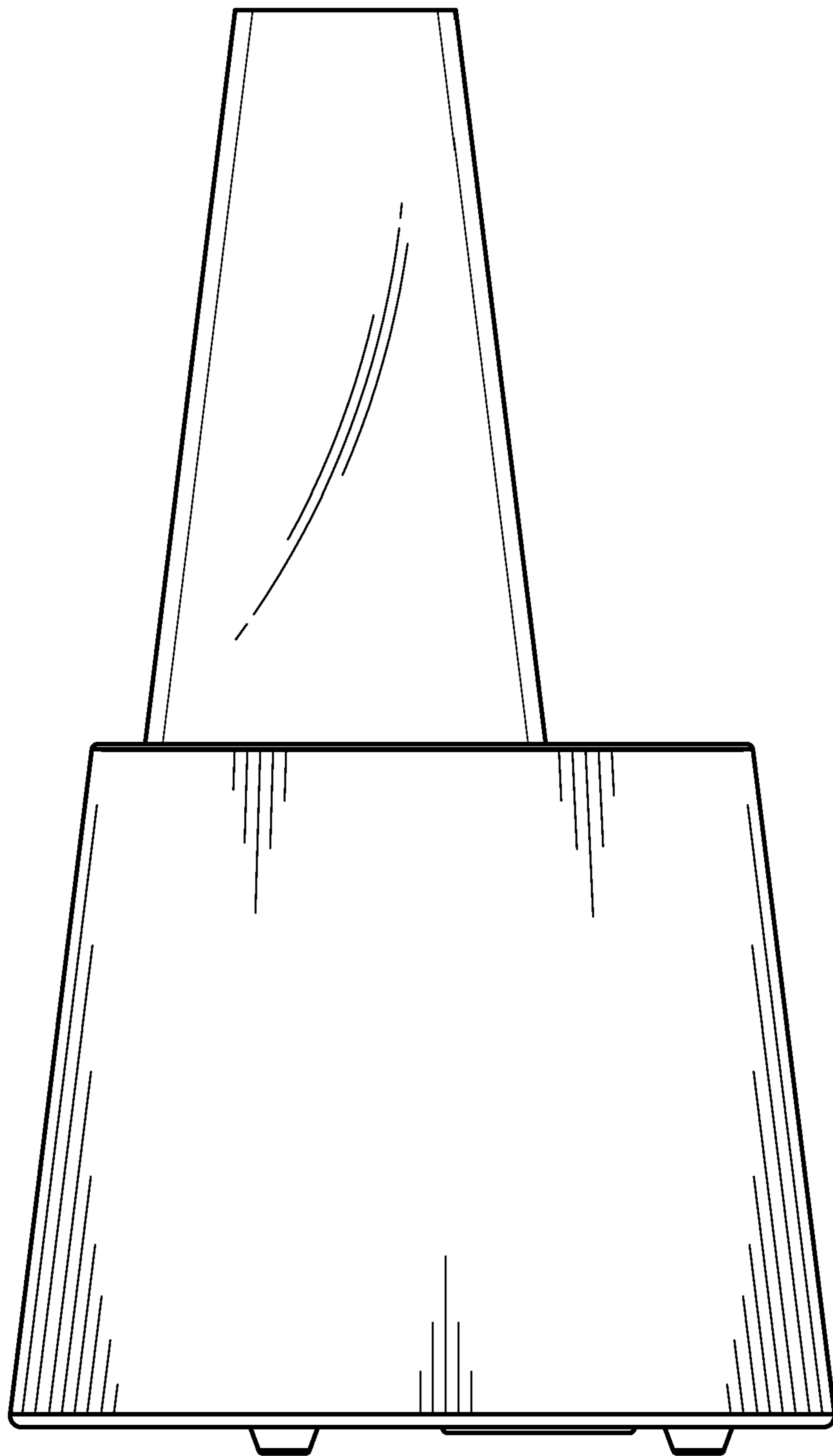


FIG. 4

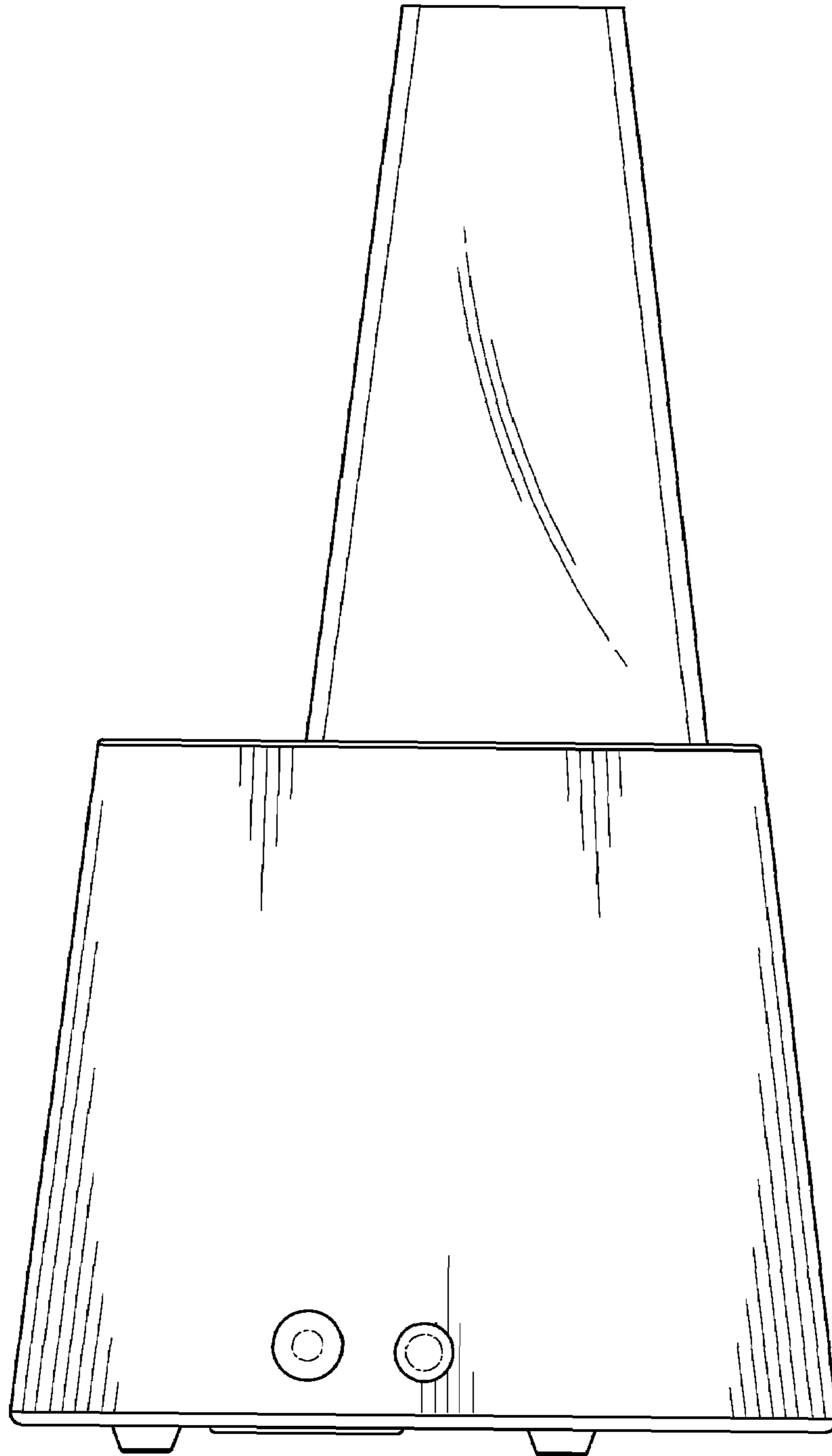


FIG. 5

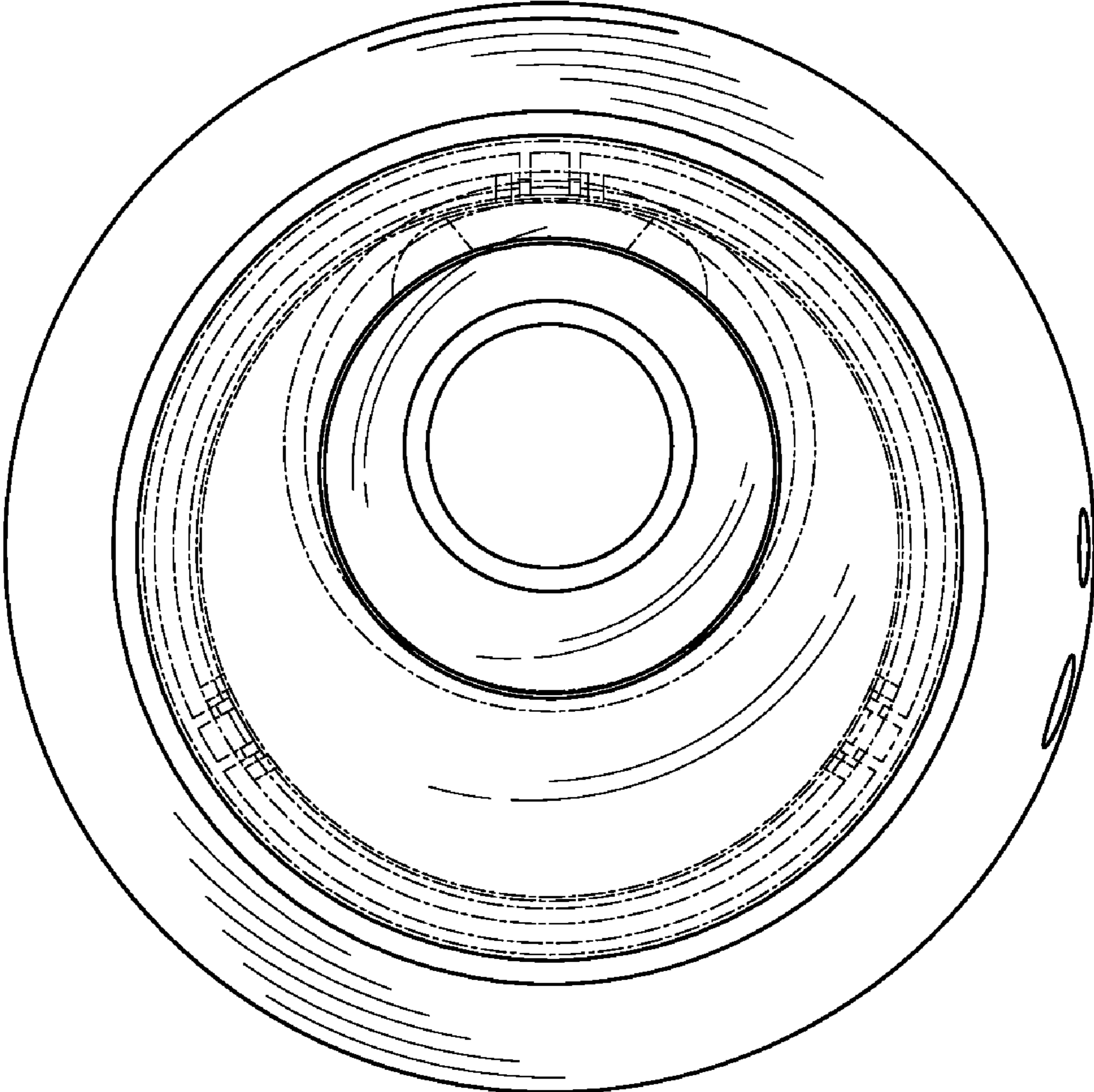


FIG. 6

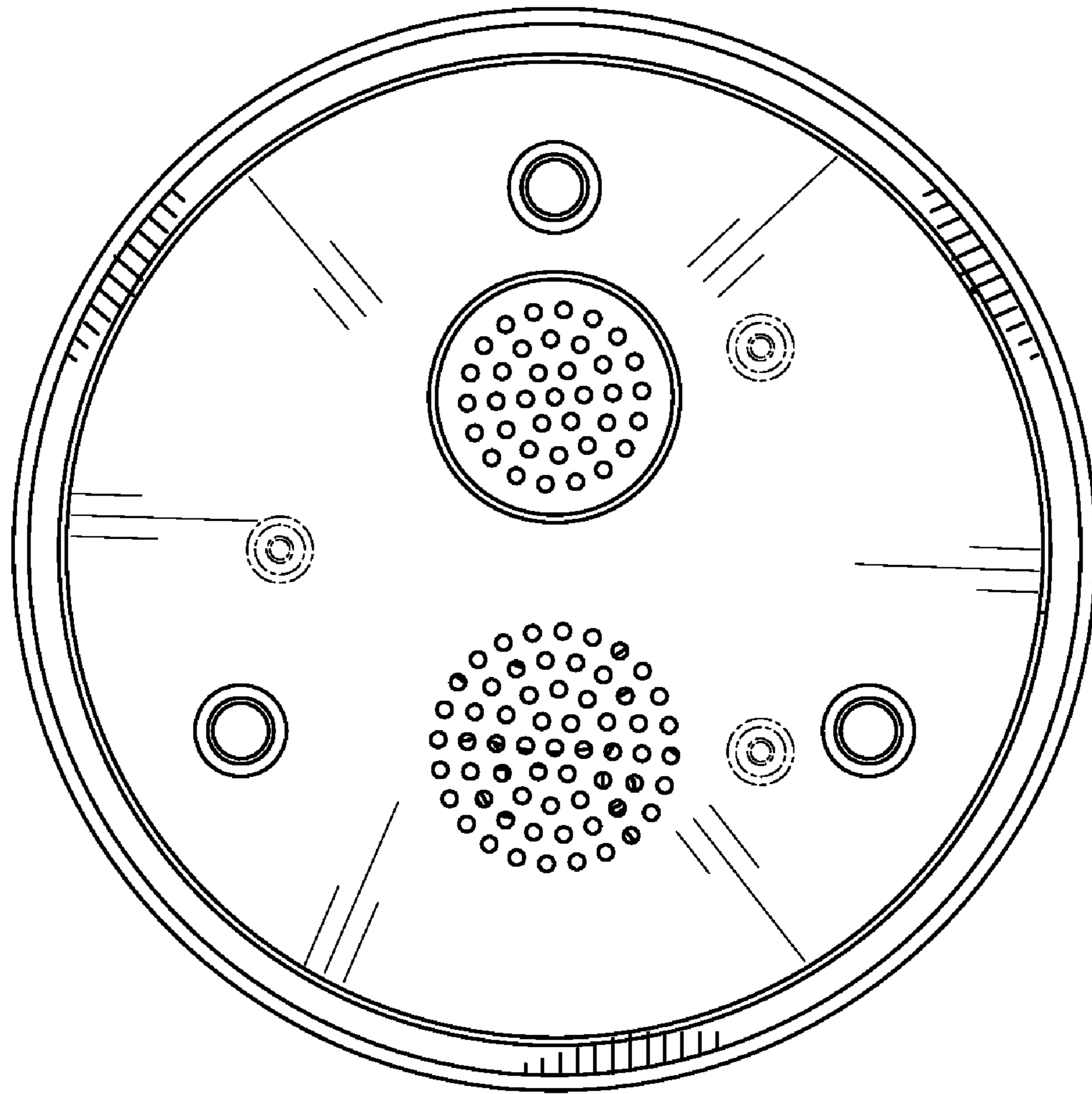


FIG. 7

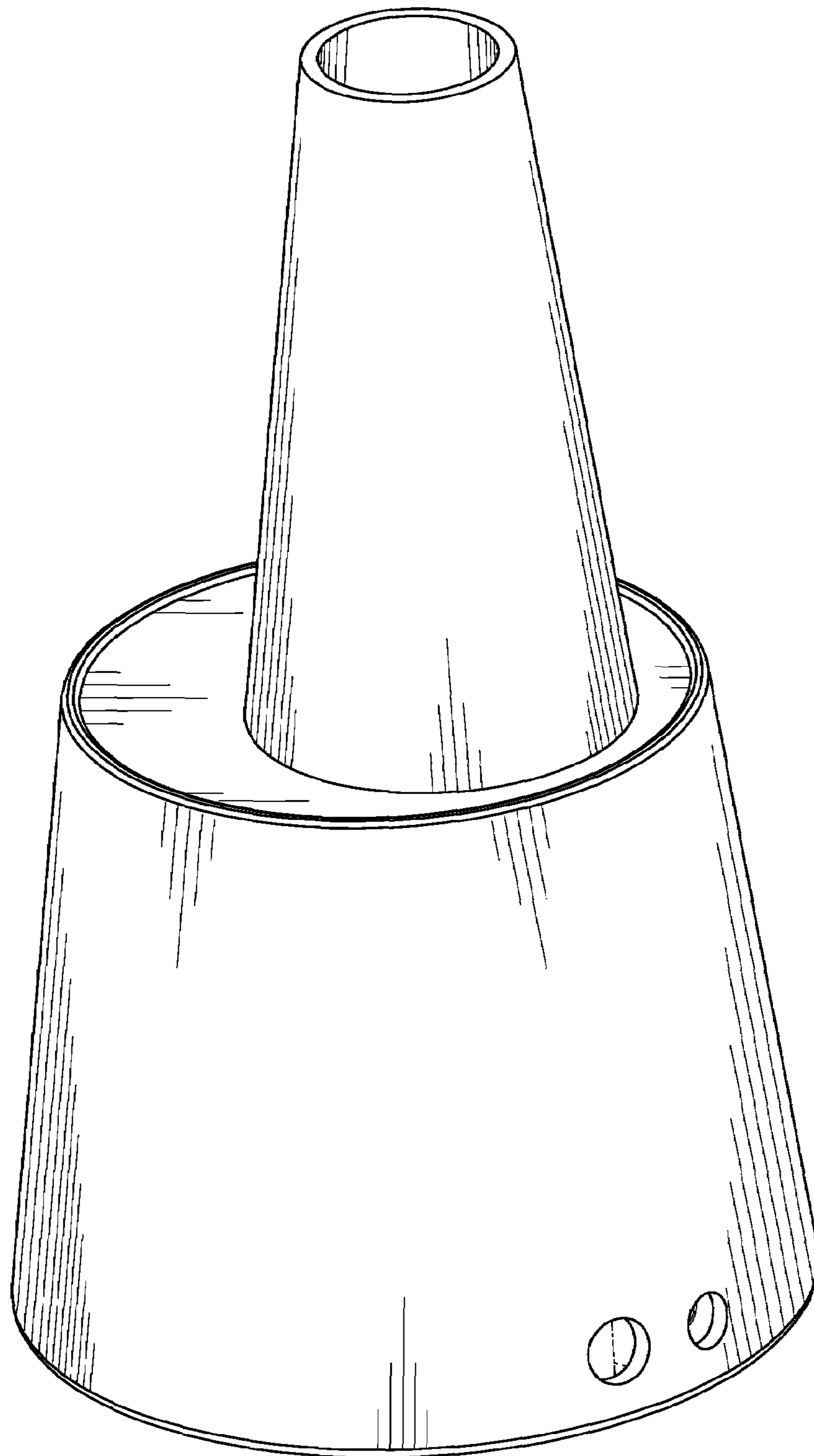


FIG. 8

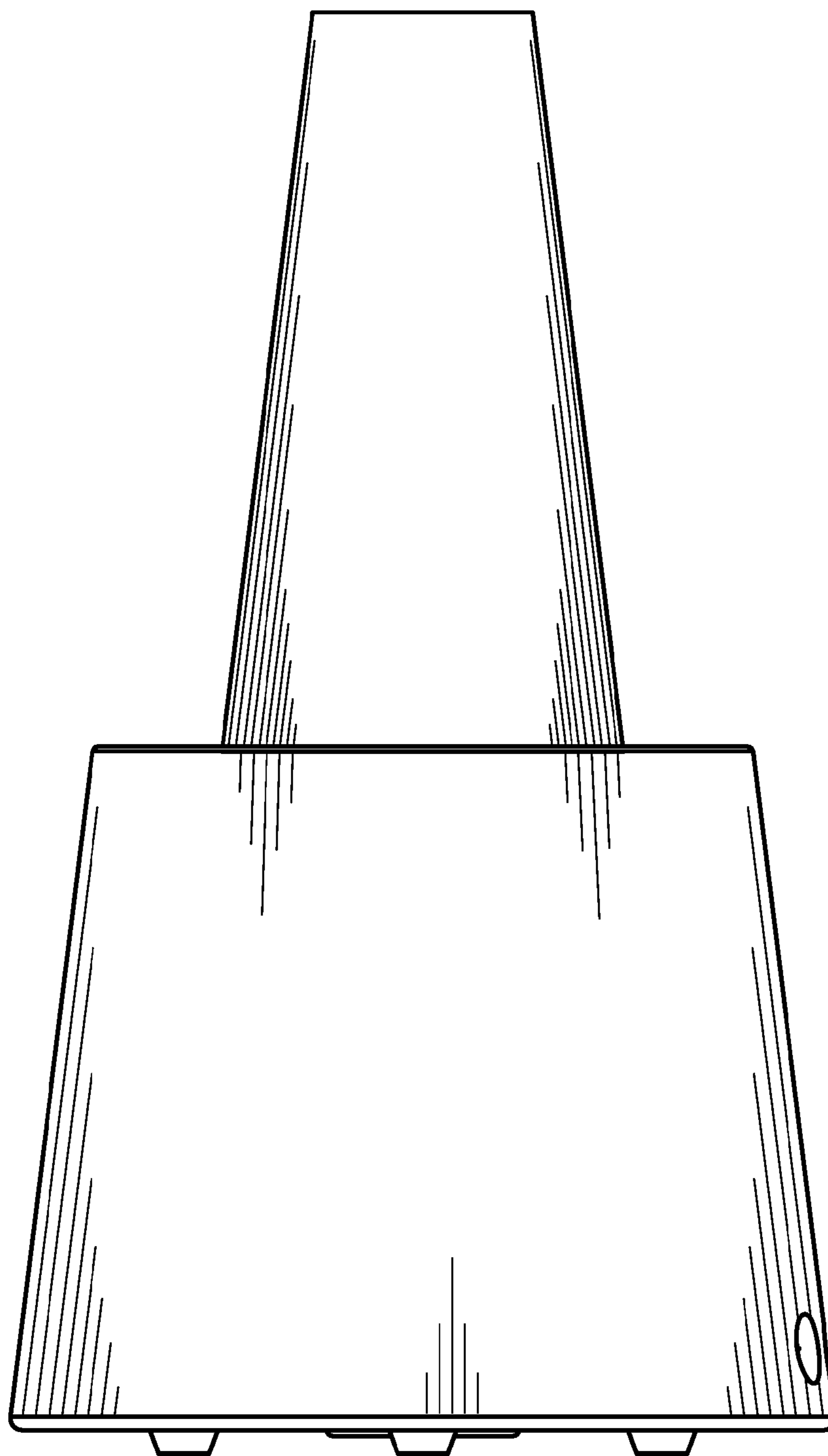


FIG. 9

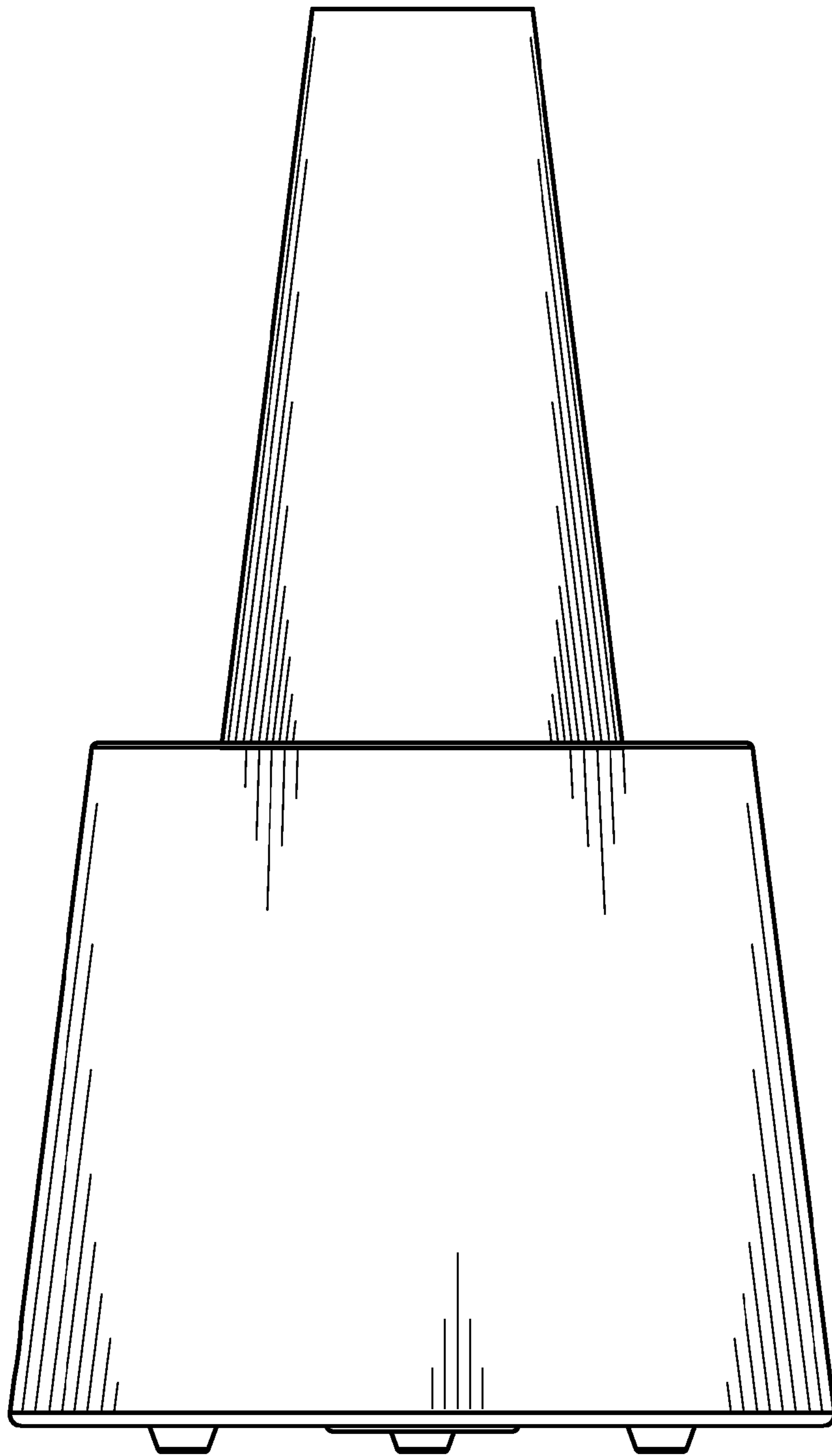


FIG. 10

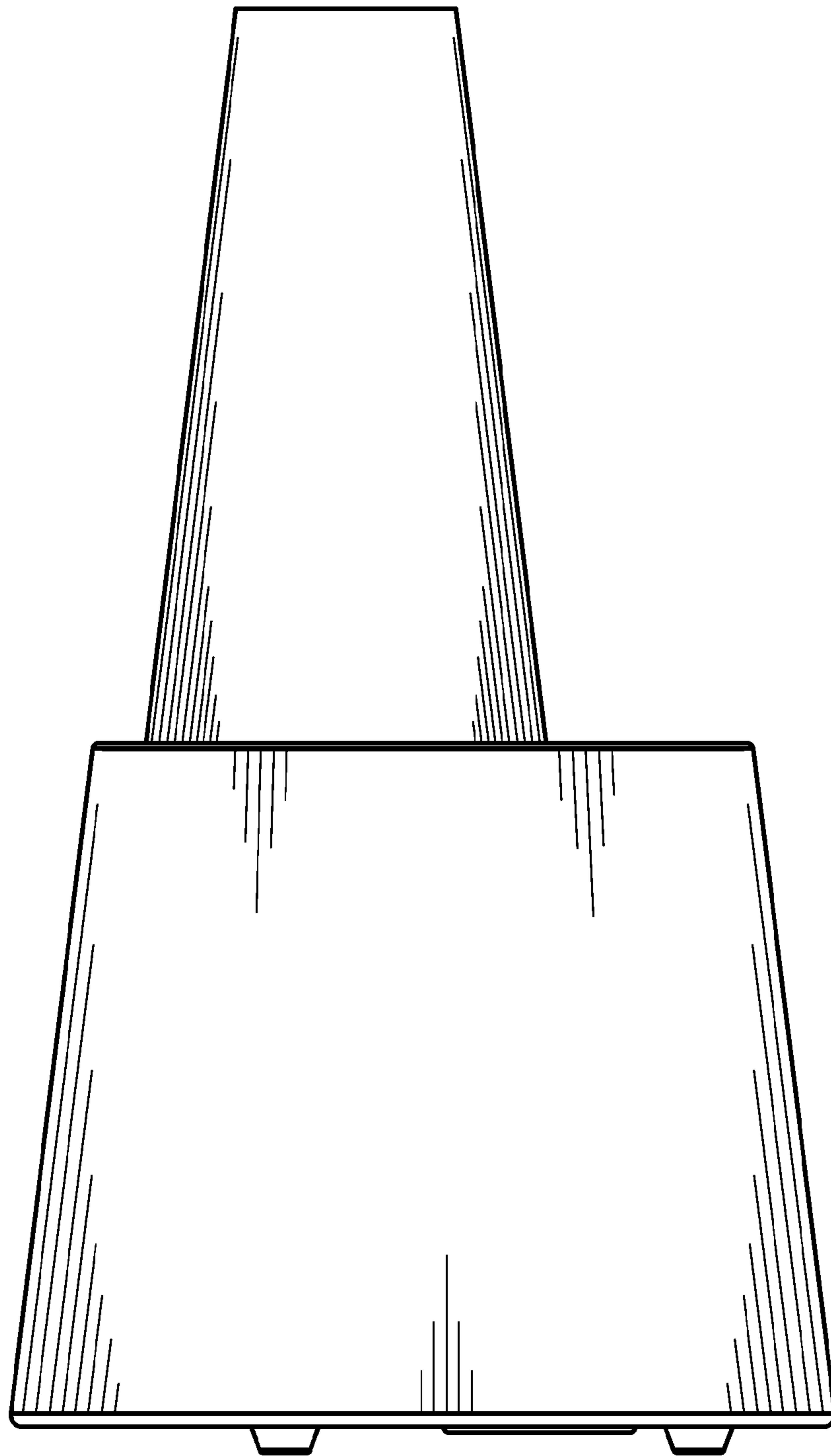


FIG. 11

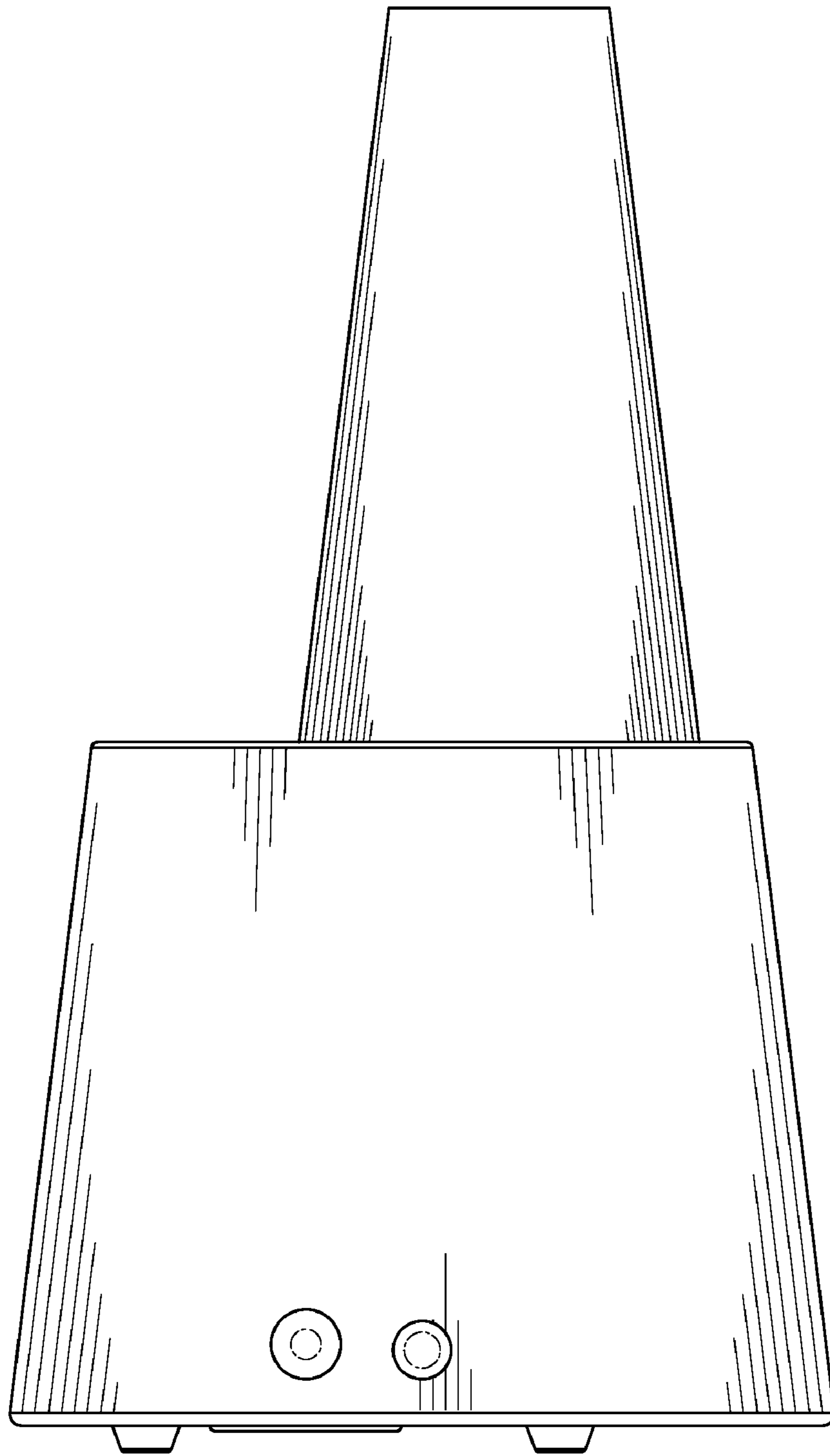


FIG. 12

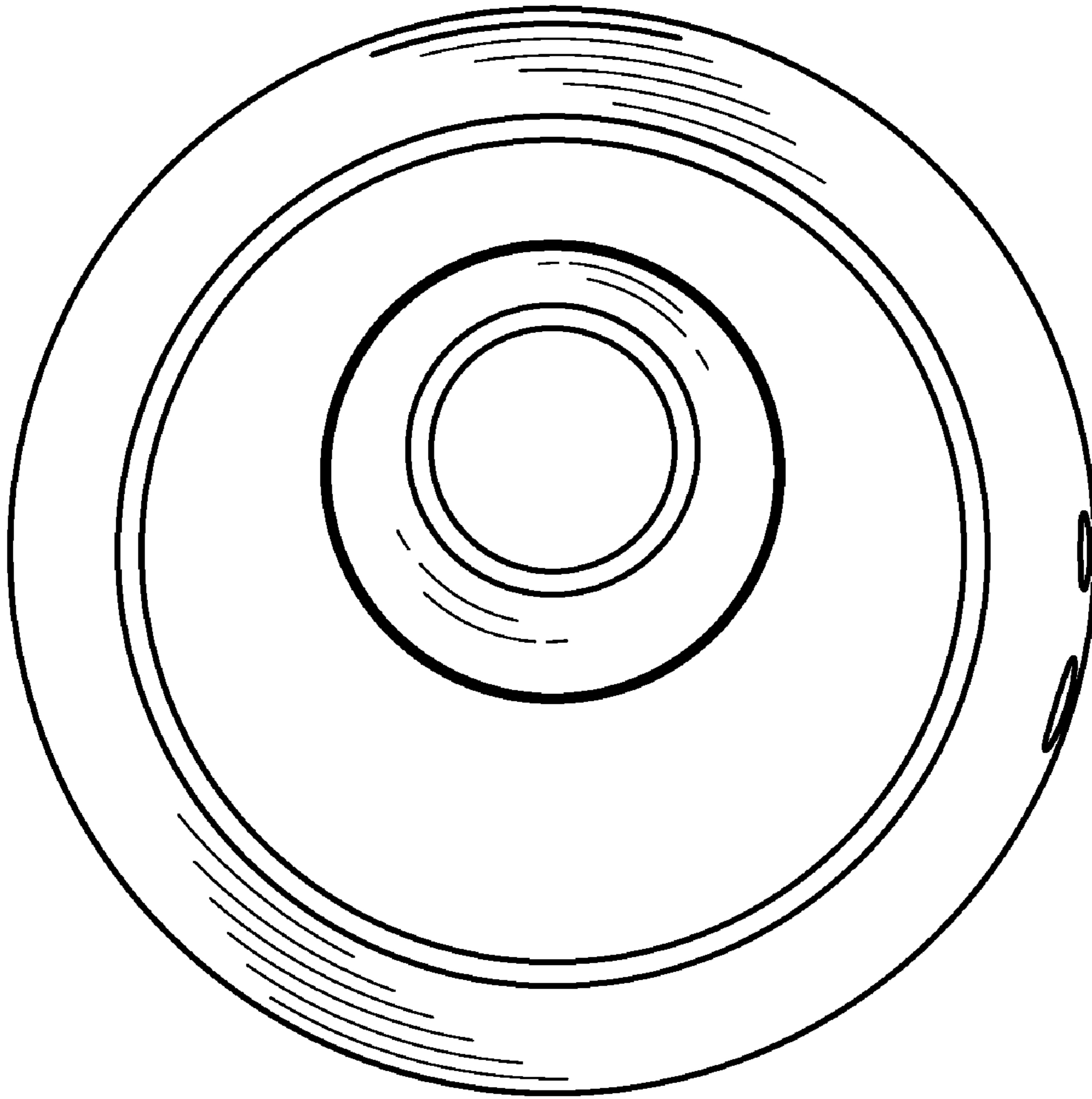


FIG. 13

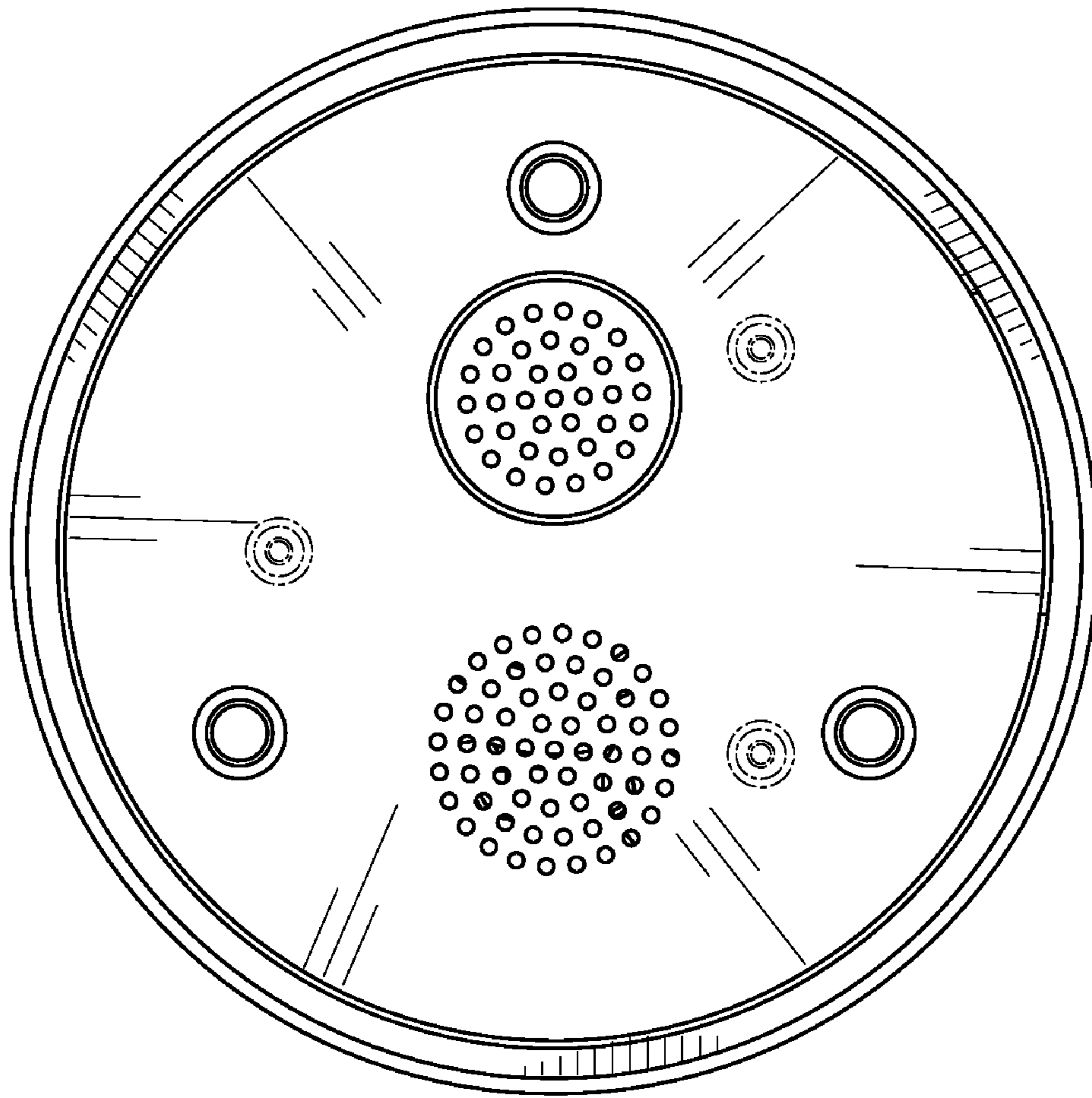


FIG. 14