



US00D613388S

(12) **United States Design Patent**
Koenig et al.

(10) **Patent No.:** **US D613,388 S**

(45) **Date of Patent:** **** Apr. 6, 2010**

(54) **AIR FRESHENING DEVICE**

(75) Inventors: **John William Koenig**, Cincinnati, OH (US); **Bryan Gabriel Comstock**, Mason, OH (US); **Thomas George Crowe**, Lawrenceburg, IN (US); **John Allen Wooton**, New Richmond, OH (US); **Ryan Patrick Dullea**, Cincinnati, OH (US); **Dana Paul Gruenbacher**, Fairfield, OH (US); **Walter Sordo**, Trento (IT); **Danilo Rossi**, Trento (IT); **Rainer Bernhard Teufel**, Worthington, OH (US); **Richard Lee Lane**, Columbus, OH (US)

(73) Assignee: **The Procter & Gamble Company**, Cincinnati, OH (US)

(**) Term: **14 Years**

(21) Appl. No.: **29/335,463**

(22) Filed: **Apr. 16, 2009**

(51) **LOC (9) Cl.** **28-99**

(52) **U.S. Cl.** **D23/366**

(58) **Field of Classification Search** D23/355-369;
D28/5, 6; 261/DIG. 17, DIG. 42, DIG. 65,
261/DIG. 88, DIG. 89; 392/386, 390, 391,
392/392, 394, 395, 389, 393; 239/34, 35,
239/43-45, 53, 56, 57, 60, 326, 42, 50, 55

See application file for complete search history.

(56) **References Cited**

U.S. PATENT DOCUMENTS

| | | | | | | |
|-----------|---|---|---------|------------------|-------|---------|
| D334,975 | S | * | 4/1993 | Bunce et al. | | D23/366 |
| 5,478,505 | A | * | 12/1995 | McElfresh et al. | | 261/30 |
| 5,527,493 | A | * | 6/1996 | McElfresh et al. | | 261/30 |
| D373,626 | S | * | 9/1996 | Dente et al. | | D23/366 |
| D403,420 | S | * | 12/1998 | Vullion | | D23/367 |
| D424,677 | S | * | 5/2000 | Chen | | D23/366 |
| 6,148,143 | A | * | 11/2000 | Steinel, Jr. | | 392/390 |
| D489,123 | S | * | 4/2004 | Basaganas Millan | | D23/366 |
| D491,257 | S | * | 6/2004 | Picken, Jr. | | D23/366 |

| | | | | | | |
|----------|---|---|---------|----------------|-------|---------|
| D532,893 | S | * | 11/2006 | Wu | | D23/366 |
| D544,594 | S | * | 6/2007 | Zobebe | | D23/366 |
| D544,953 | S | * | 6/2007 | Kee | | D23/368 |
| D550,345 | S | * | 9/2007 | Weggelaar | | D23/366 |
| D551,333 | S | * | 9/2007 | Wu | | D23/366 |
| D553,233 | S | * | 10/2007 | Hatch et al. | | D23/366 |
| D555,778 | S | * | 11/2007 | Fellows et al. | | D23/366 |
| D561,319 | S | * | 2/2008 | Weggelaar | | D23/366 |
| D565,164 | S | * | 3/2008 | Duston et al. | | D23/366 |
| D585,129 | S | * | 1/2009 | Huang | | D23/366 |

OTHER PUBLICATIONS

U.S. Appl. No. 61/169,840, filed Apr. 16, 2009, Gruenbacher, et al. Refresh your day-Air Fresheners for your home, car, and office. <http://www.refreshyourday.com/products.php> HandStands, 675 W 14800, S Bluffdale, UT 84065, Apr. 16, 2009.

Autolexpressions air care vent-it vent stix, <http://www.autoexpressions.com/air-care/vent-it/vent-stix/cherry> SOPUS Products, 609 Science Drive, Moorpark, CA 93065, Apr. 16, 2009.

Scentportable Clip & Go Fragrance Unit, Slatkin, Atkin & Co., 610 Broadway Ste 4, New York, NY 10012, Apr. 23, 2006.

Off! Clip-On Mosquito Repellent, <http://offprotects.com/clip-on-mosquito-repellent/> SC Johnson, 1525 Howe Street, Racine, Wisconsin 53403-5011, Jun. 29, 2009.

* cited by examiner

Primary Examiner—Sandra Snapp

(74) *Attorney, Agent, or Firm*—Julia A. Glazer; Kim W. Zerby; Steven W. Miller

(57) **CLAIM**

The ornamental design for an air freshening device, as shown and described.

DESCRIPTION

FIG. 1 is a perspective view of a first embodiment of an air freshening devices having an opaque dome and the back element in a downward position.

FIG. 2 is a front view of the air freshening device of FIG. 1. FIG. 3 is a left side view of the air freshening device of FIG. 1.

FIG. 4 is a right side view of the air freshening device of FIG. 1.

FIG. 5 is a back view of the air freshening device of FIG. 1.

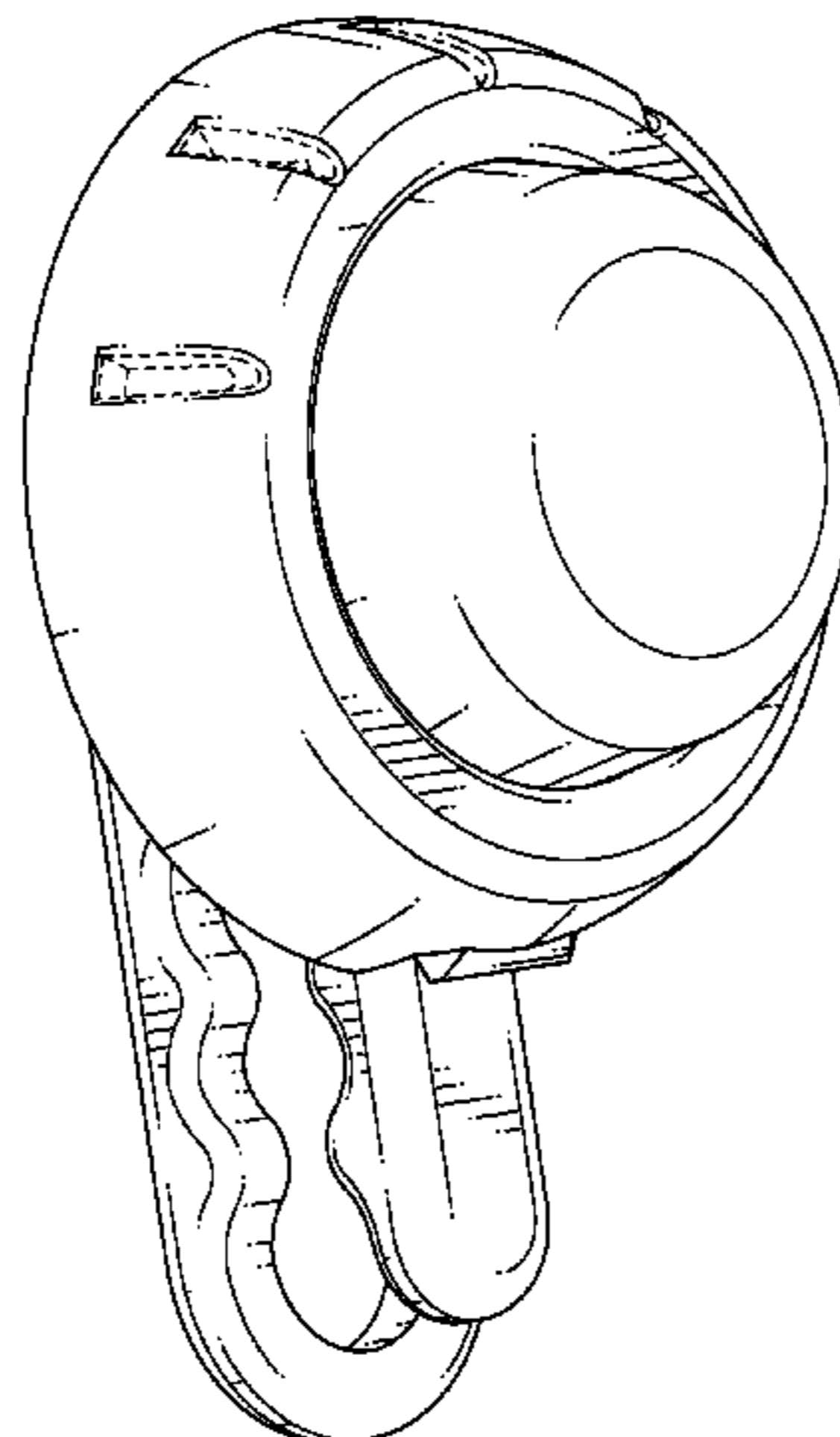


FIG. 6 is a top view of the air freshening device of FIG. 1.

FIG. 7 is a bottom view of the air freshening device of FIG. 1.

FIG. 8 is a perspective view of the first embodiment of the air freshening device having an opaque dome and the back element in an upward position.

FIG. 9 is a front view of the air freshening device of FIG. 8.

FIG. 10 is a left side view of the air freshening device of FIG. 8.

FIG. 11 is a right side view of the air freshening device of FIG. 8.

FIG. 12 is a back view of the air freshening device of FIG. 8.

FIG. 13 is a top view of the air freshening device of FIG. 8.

FIG. 14 is a bottom view of the air freshening device of FIG. 8.

FIG. 15 is a perspective view of a second embodiment of the air freshening device having a translucent dome and the back element in a downward position.

FIG. 16 is a front view of the air freshening device of FIG. 15.

FIG. 17 is a left side view of the air freshening device of FIG. 15.

FIG. 18 is a right side view of the air freshening device of FIG. 15.

FIG. 19 is a back view of the air freshening device of FIG. 15.

FIG. 20 is a top view of the air freshening device of FIG. 15; and,

FIG. 21 is a bottom view of the air freshening device of FIG. 15.

The broken line showing of environmental structure in FIGS. 1-4, FIG. 6, FIGS. 8-11, FIG. 13, FIGS. 15-18 and FIG. 20 is for illustrative purposes only and form no part of the claimed design.

1 Claim, 19 Drawing Sheets

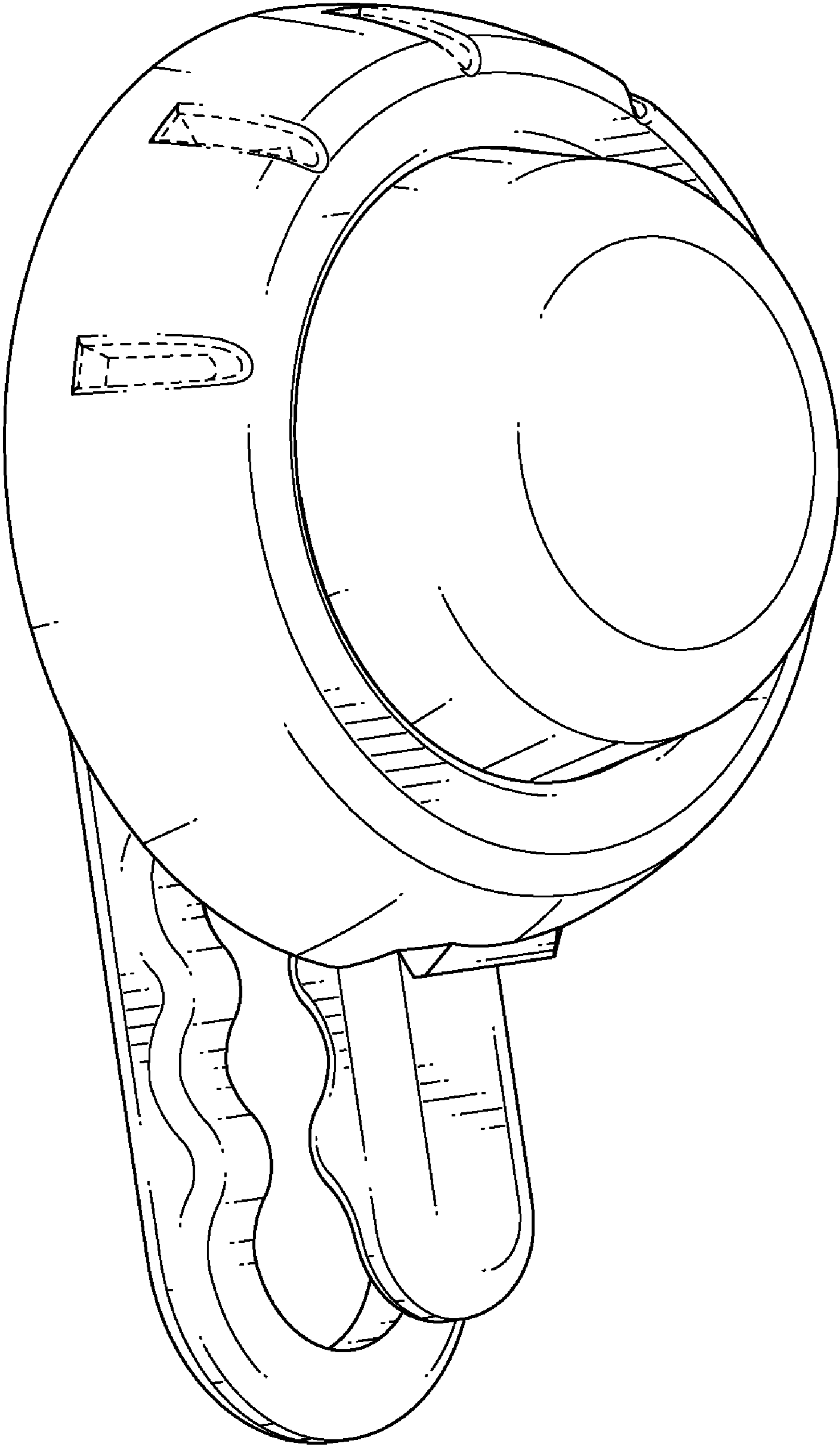


Fig. 1

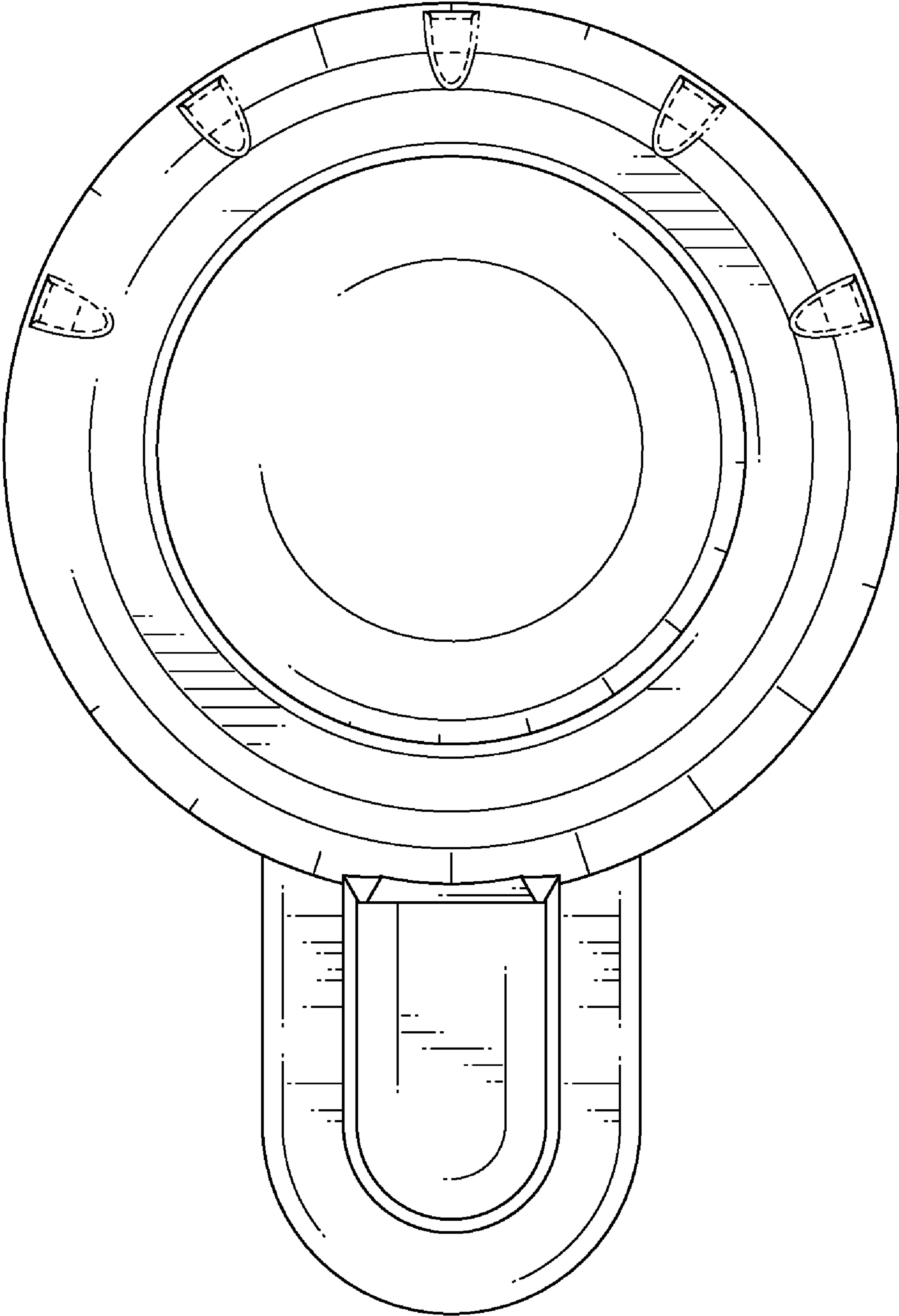


Fig. 2

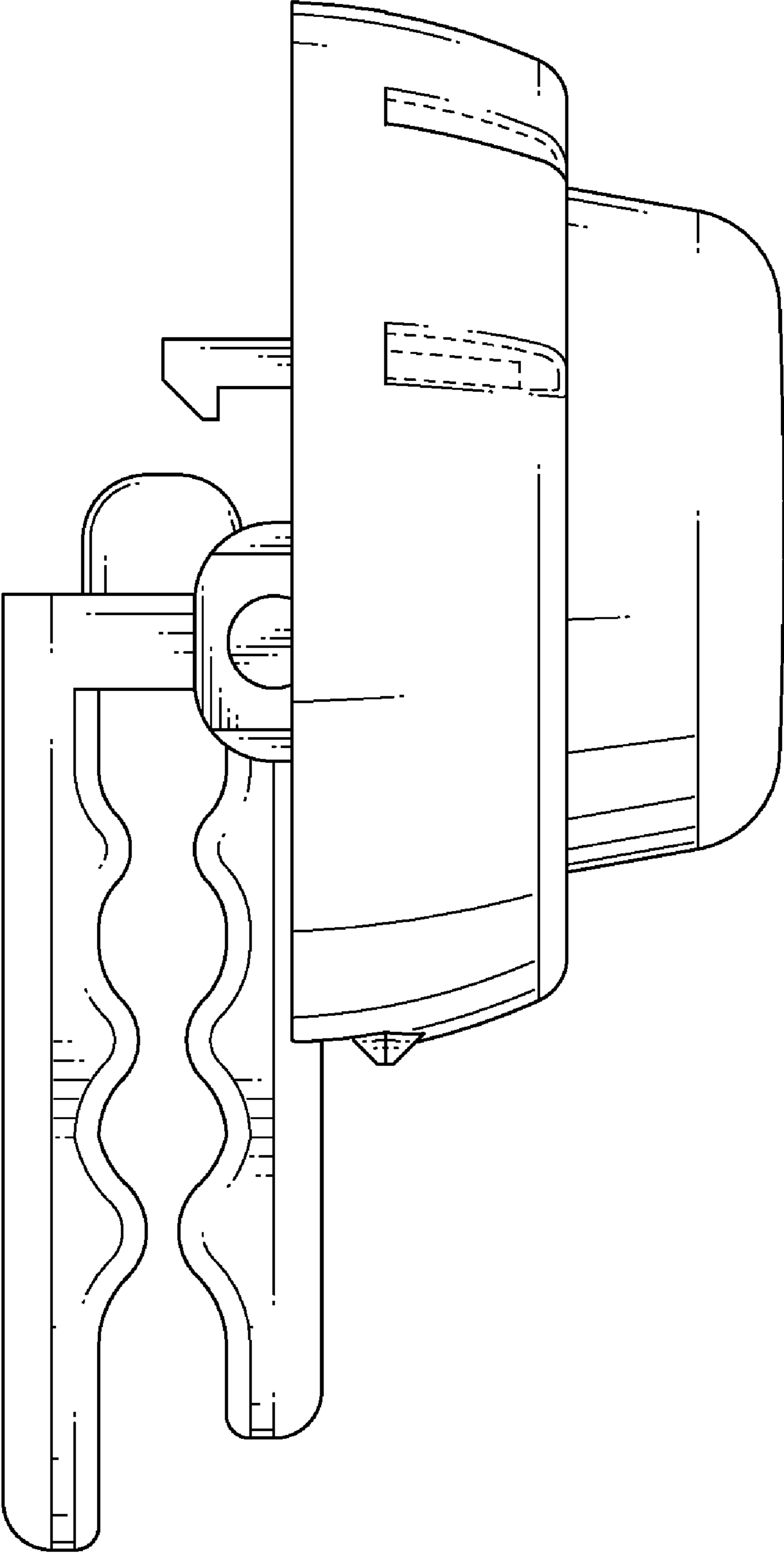


Fig. 3

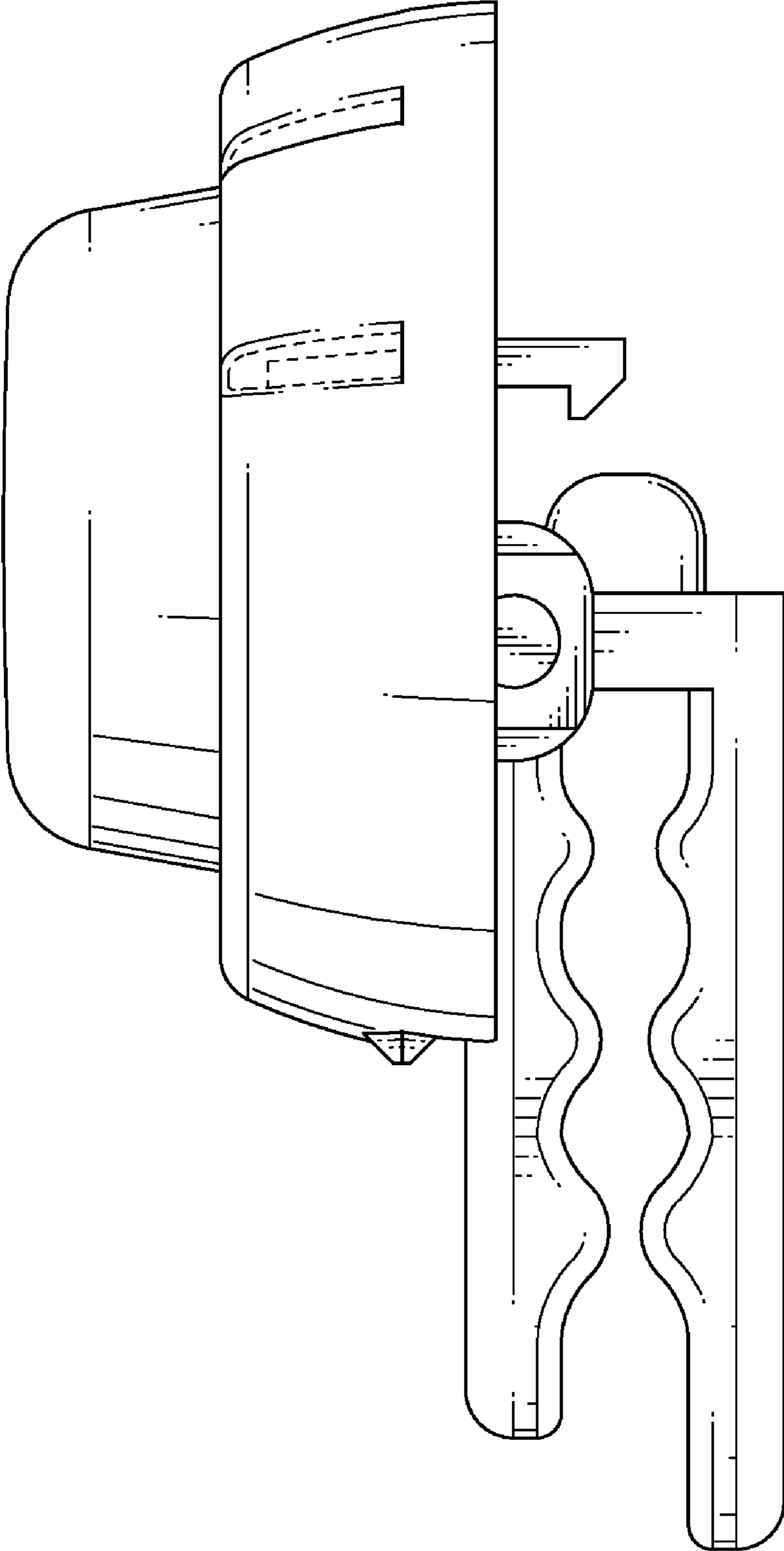


Fig. 4

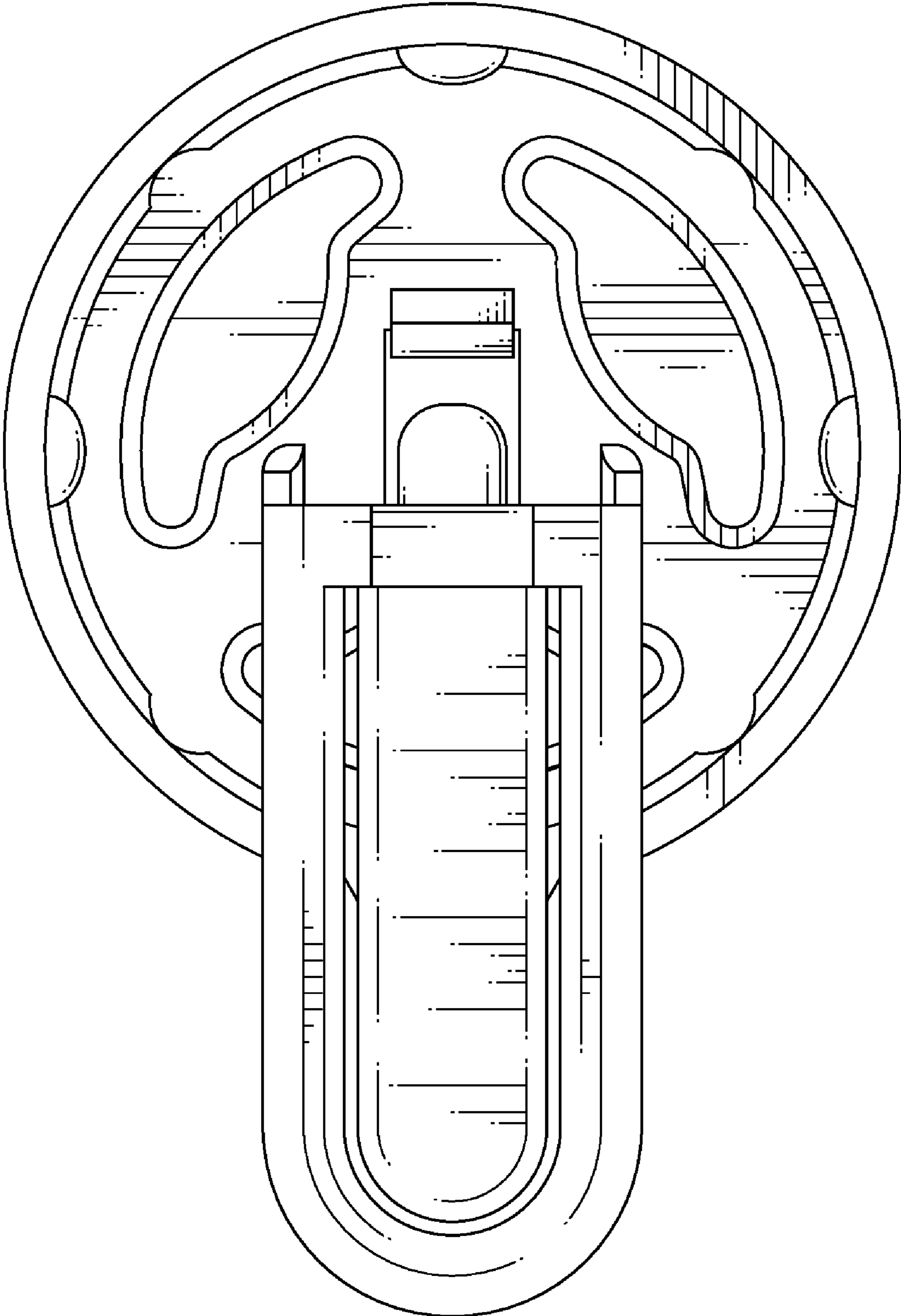


Fig. 5

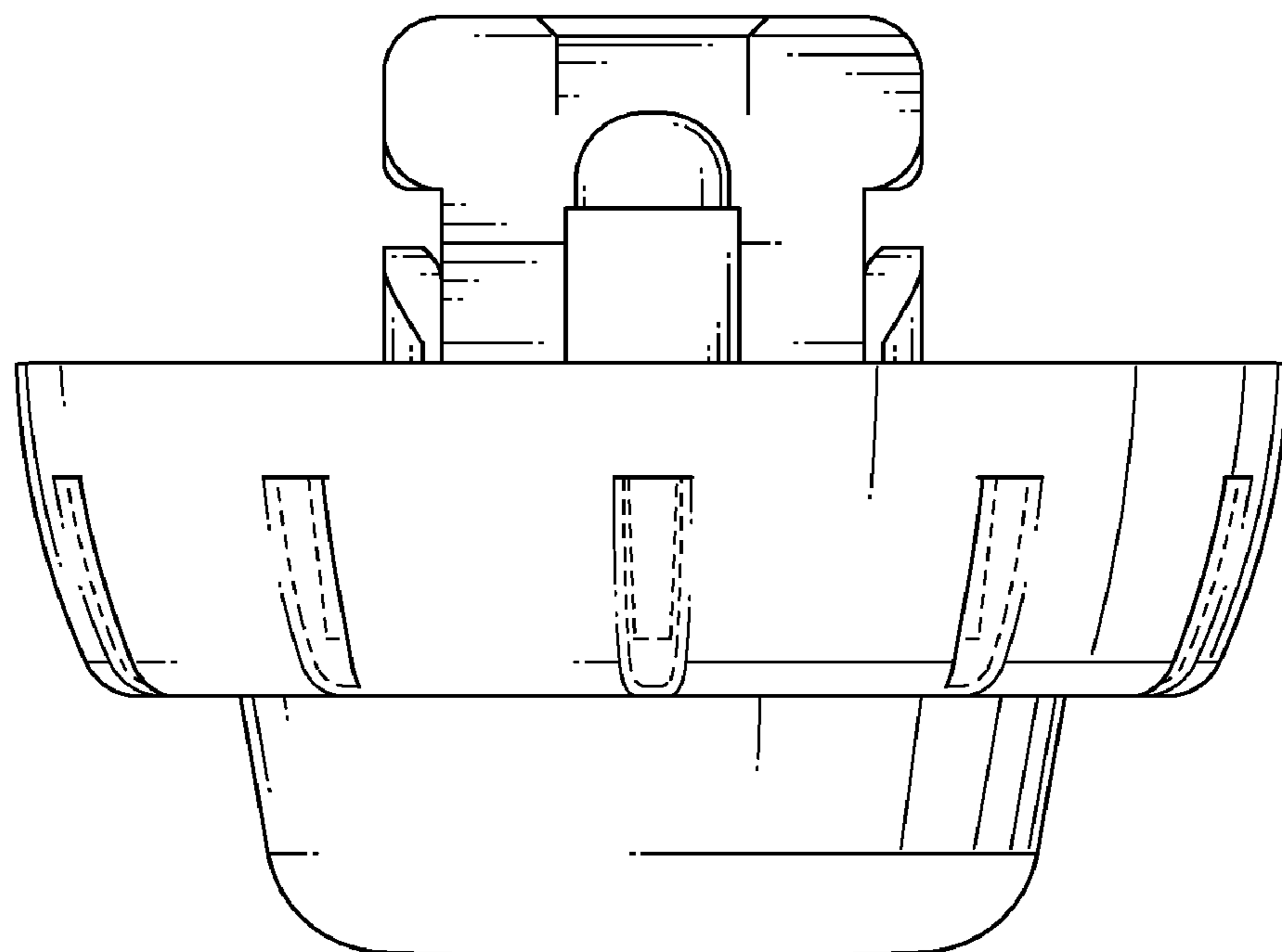


Fig. 6

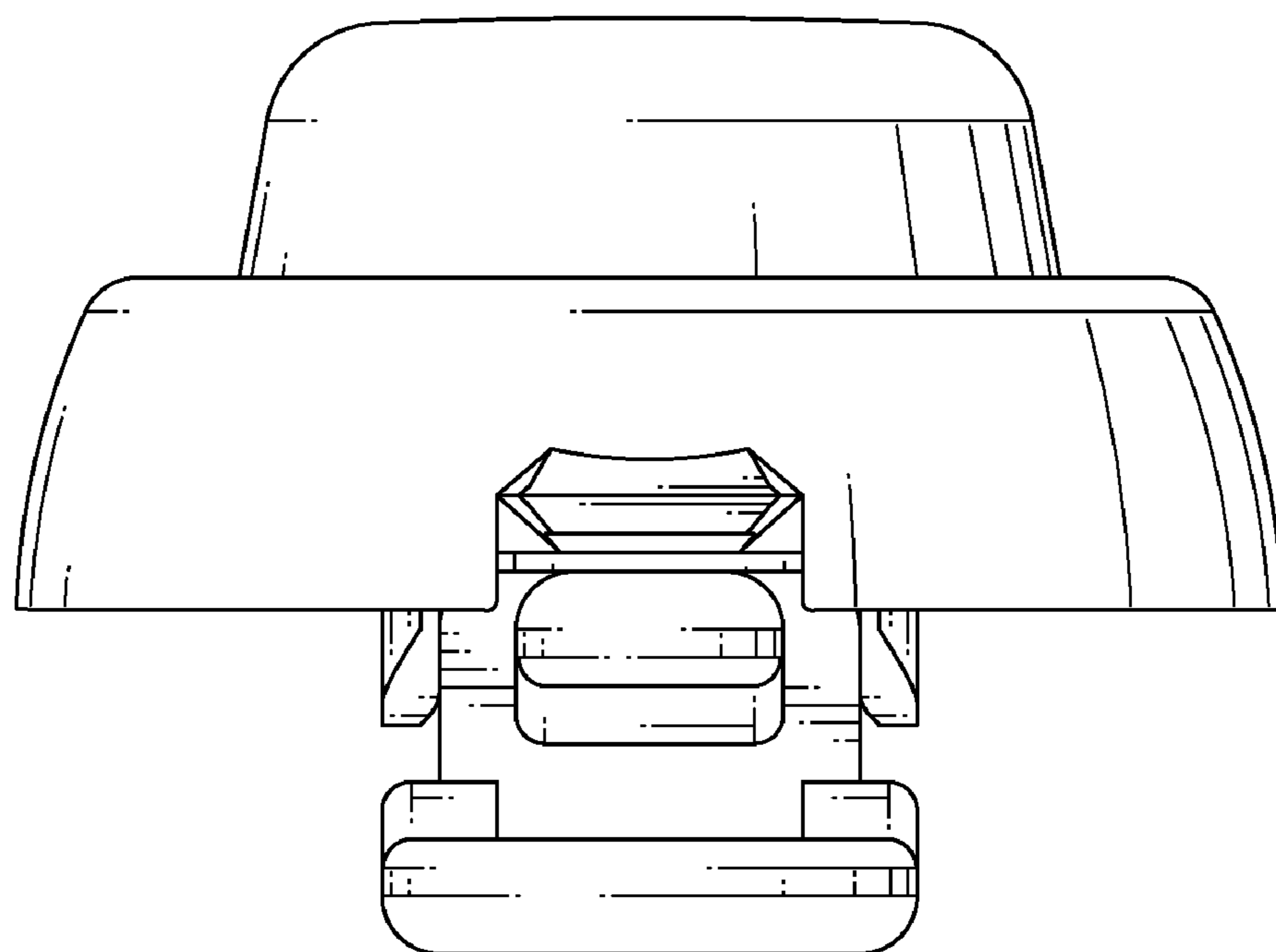


Fig. 7

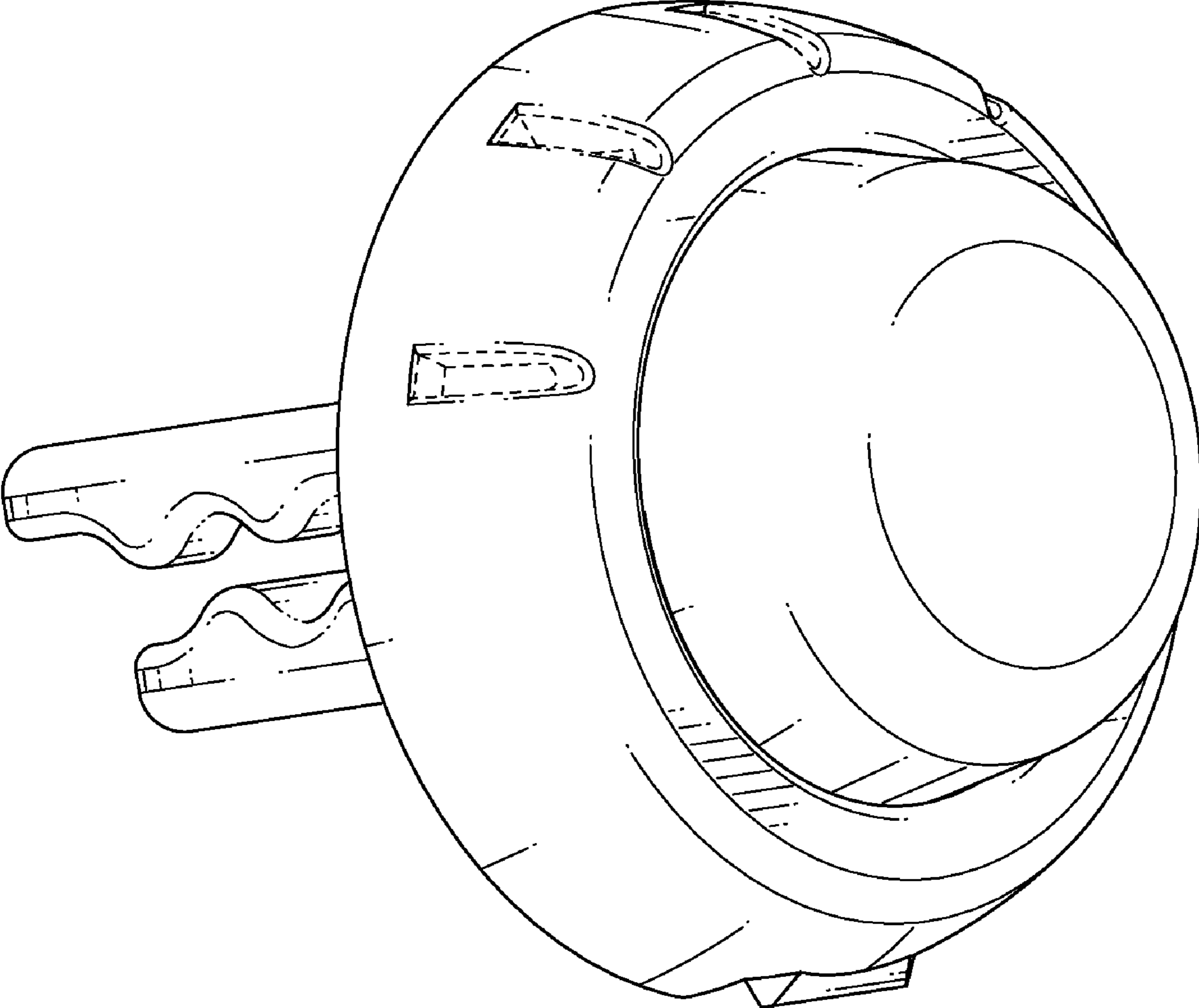


Fig. 8

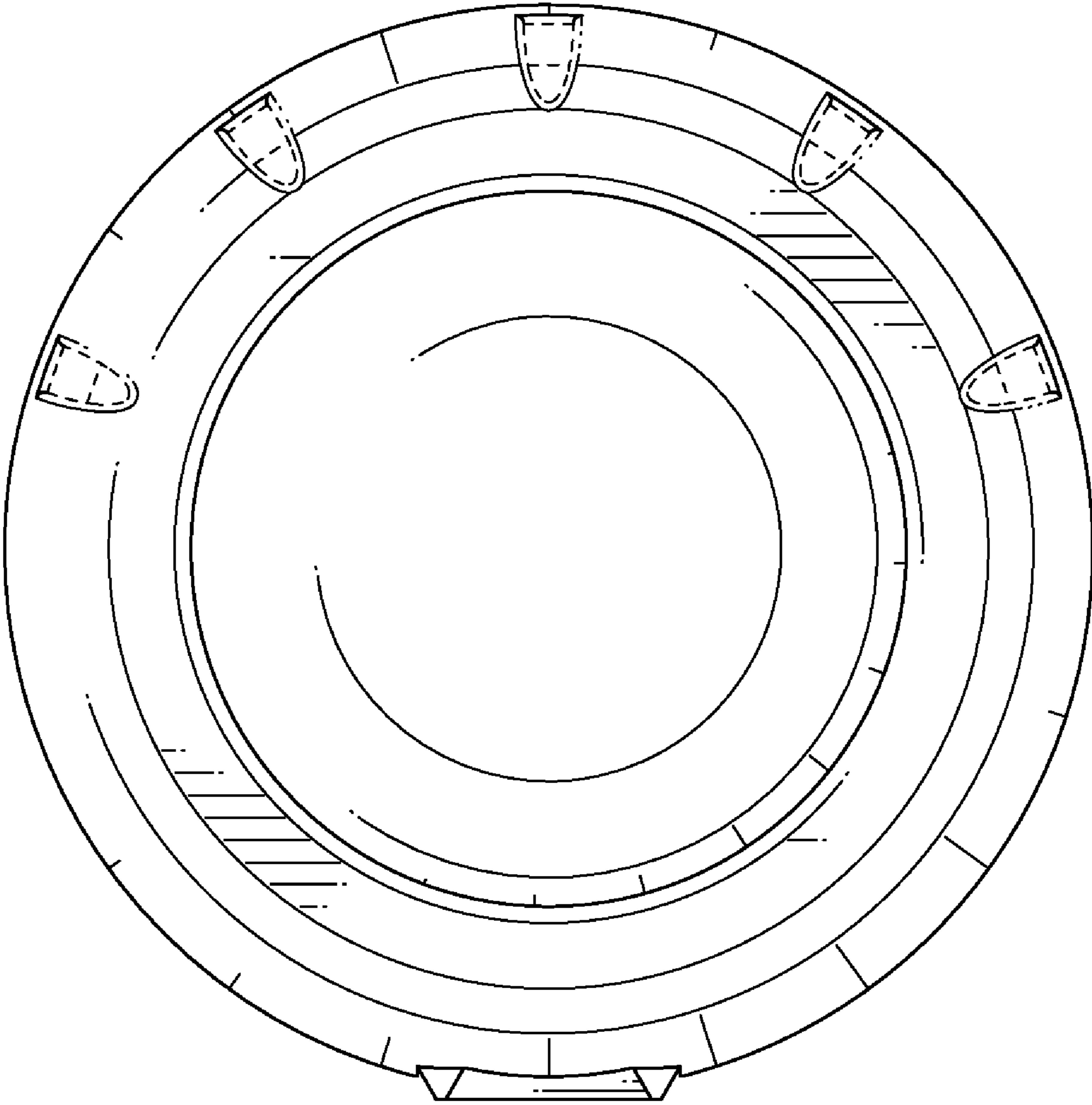


Fig. 9

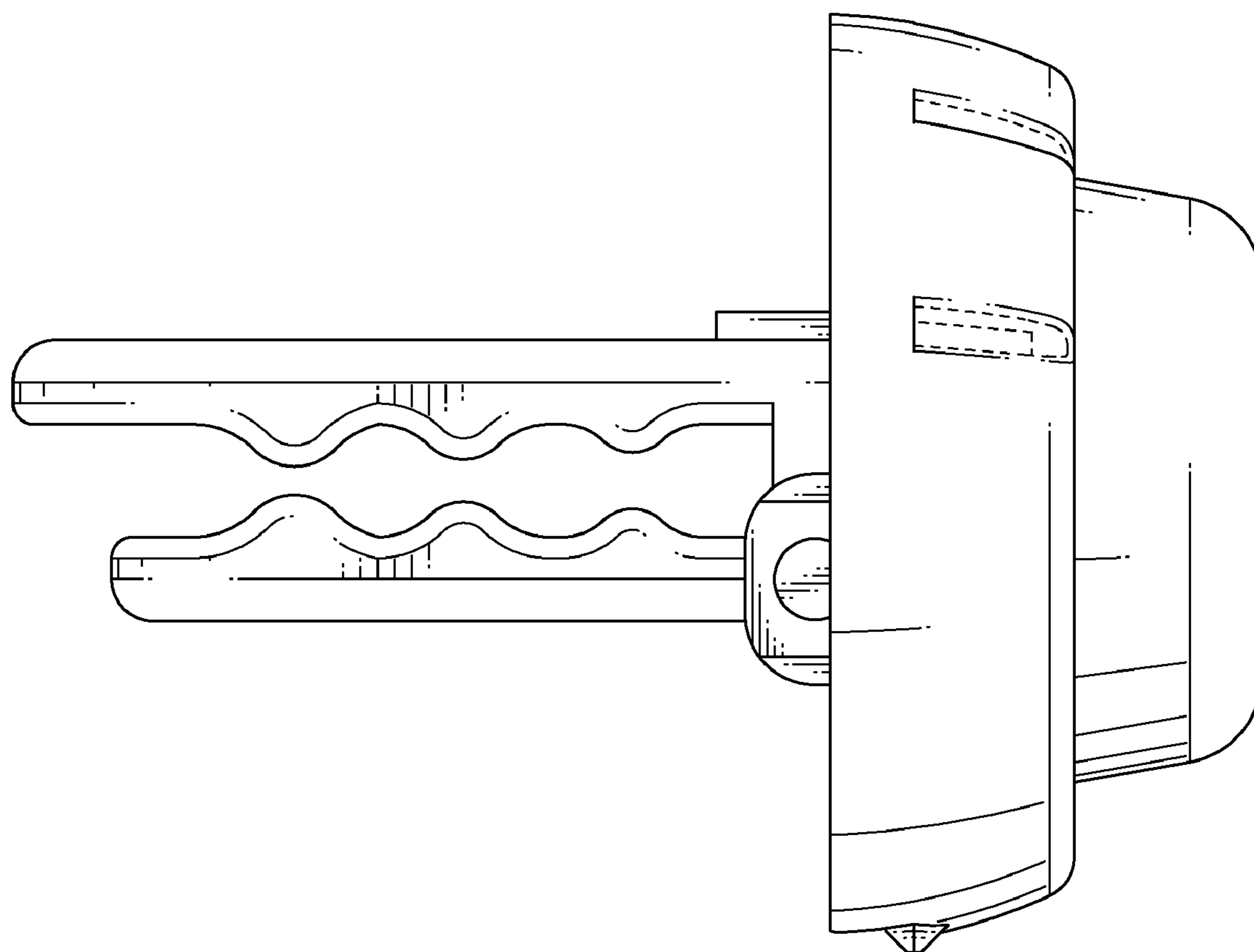


Fig. 10

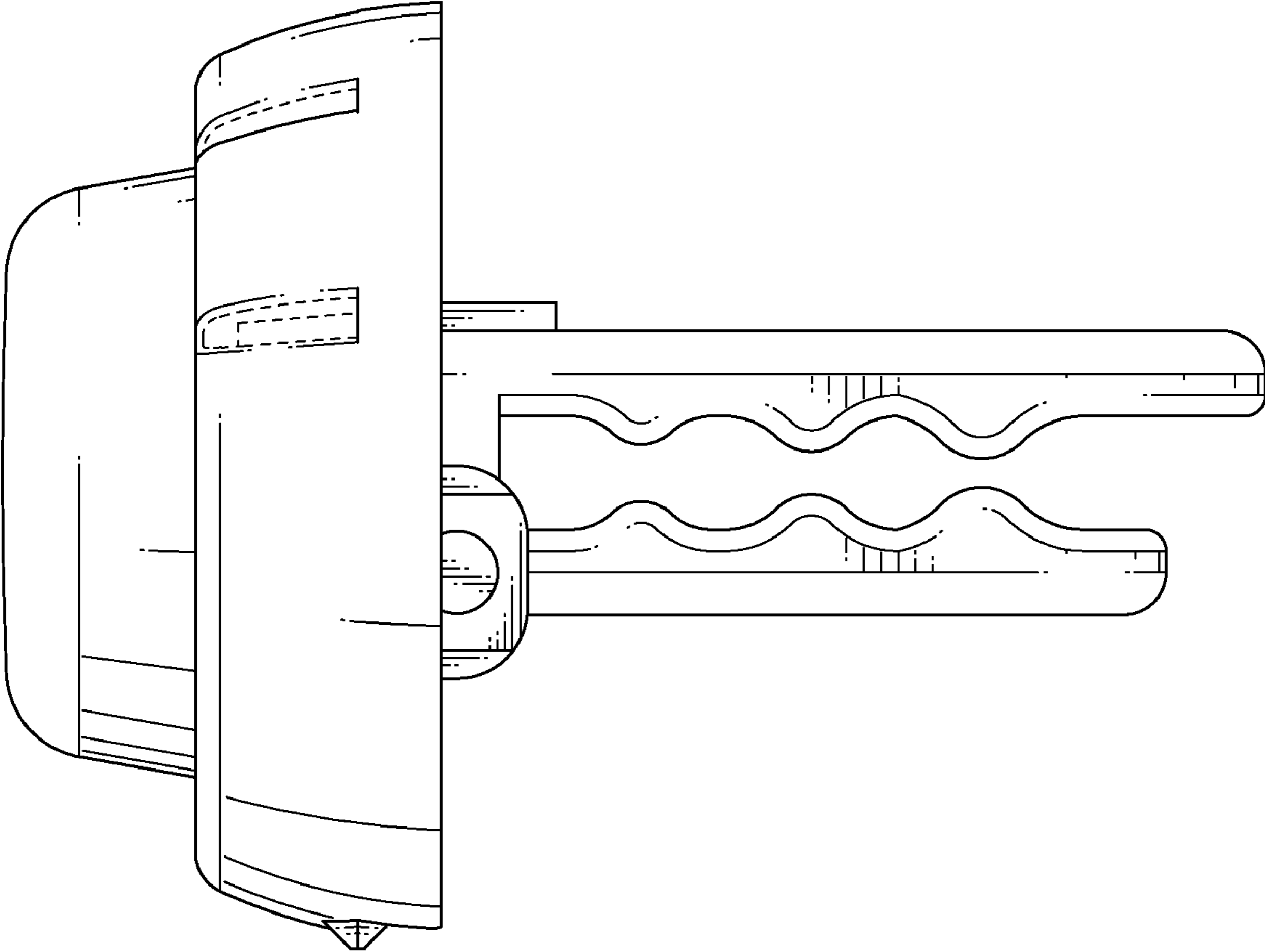


Fig. 11

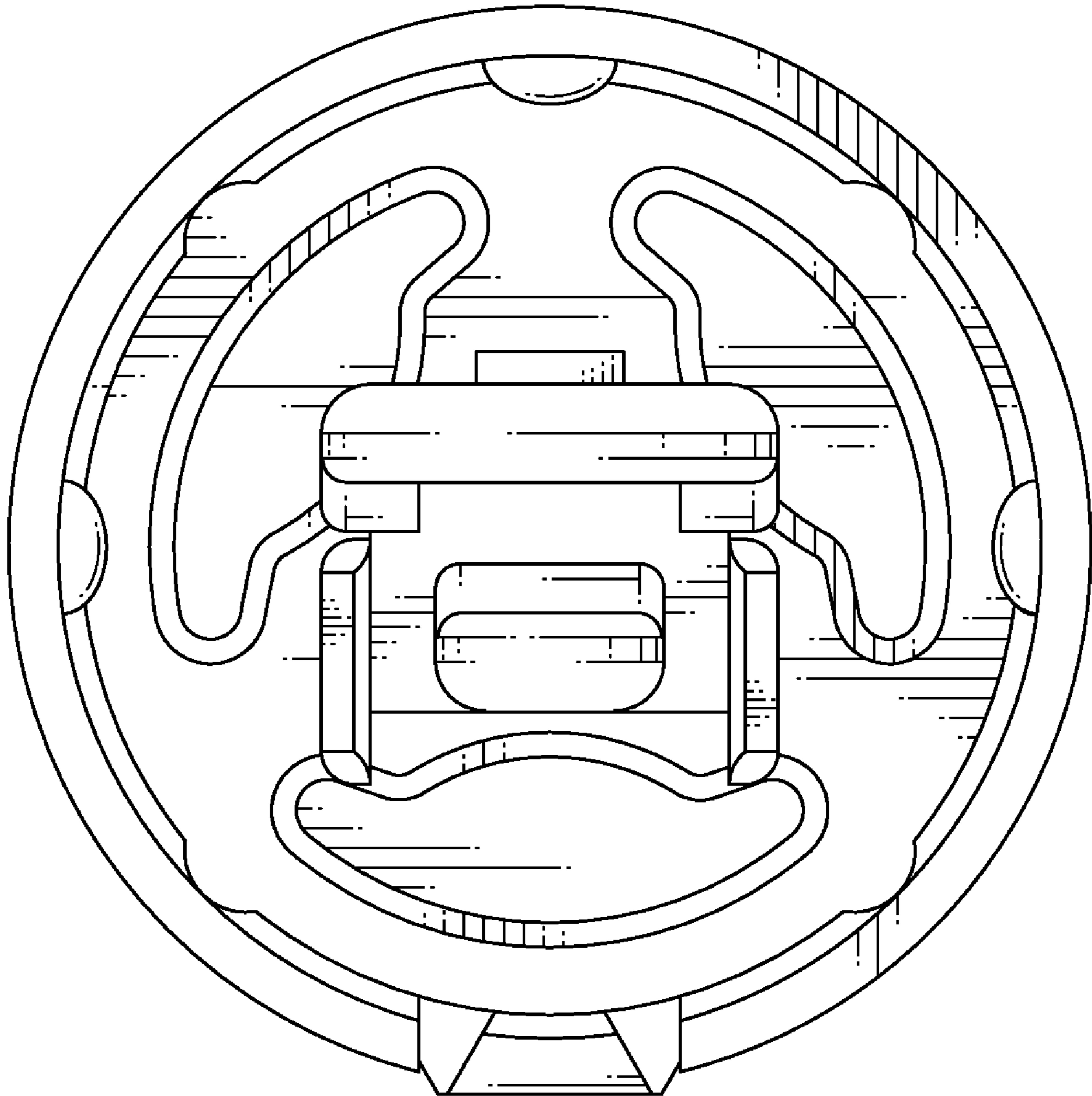


Fig. 12

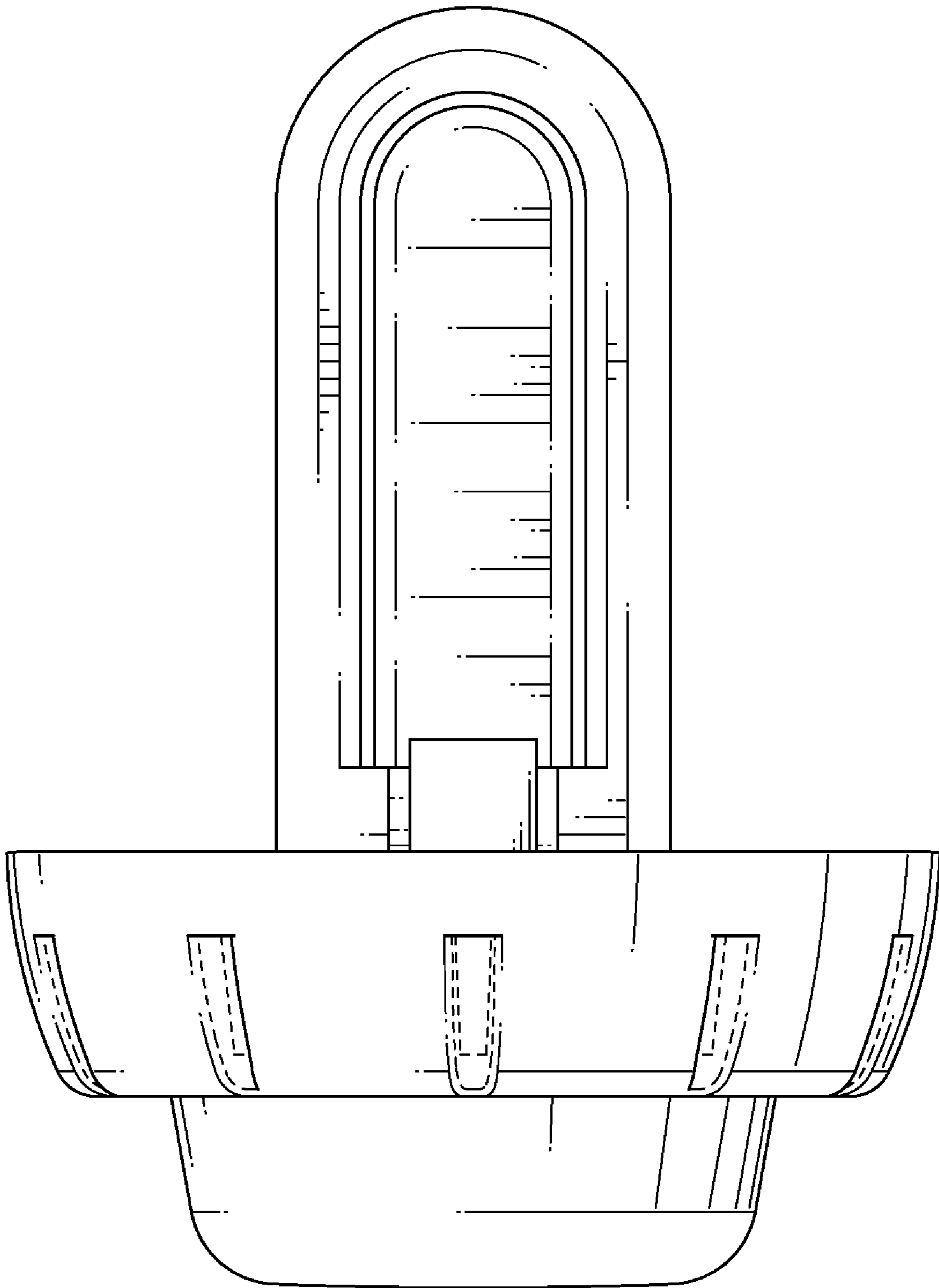


Fig. 13

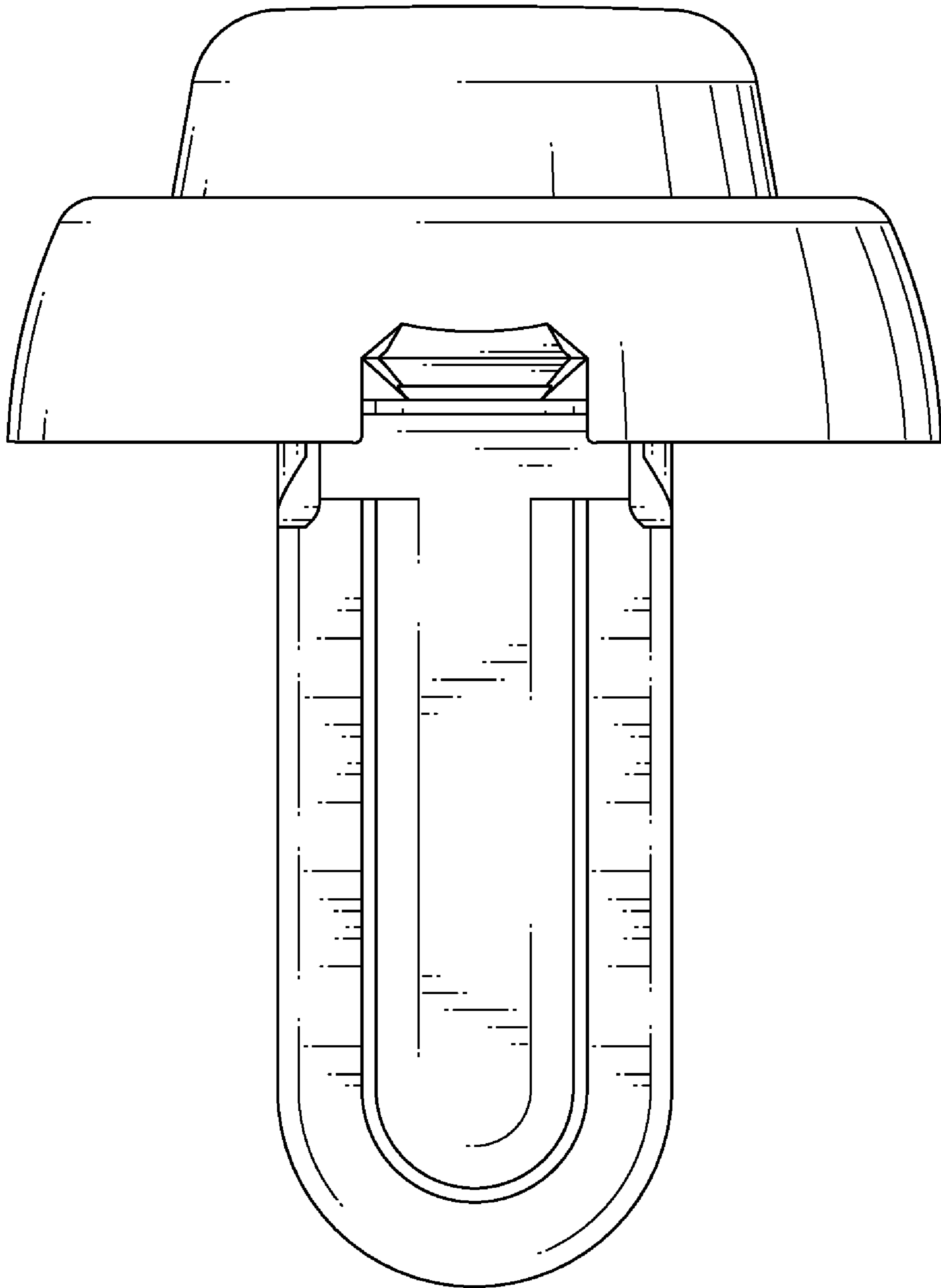


Fig. 14

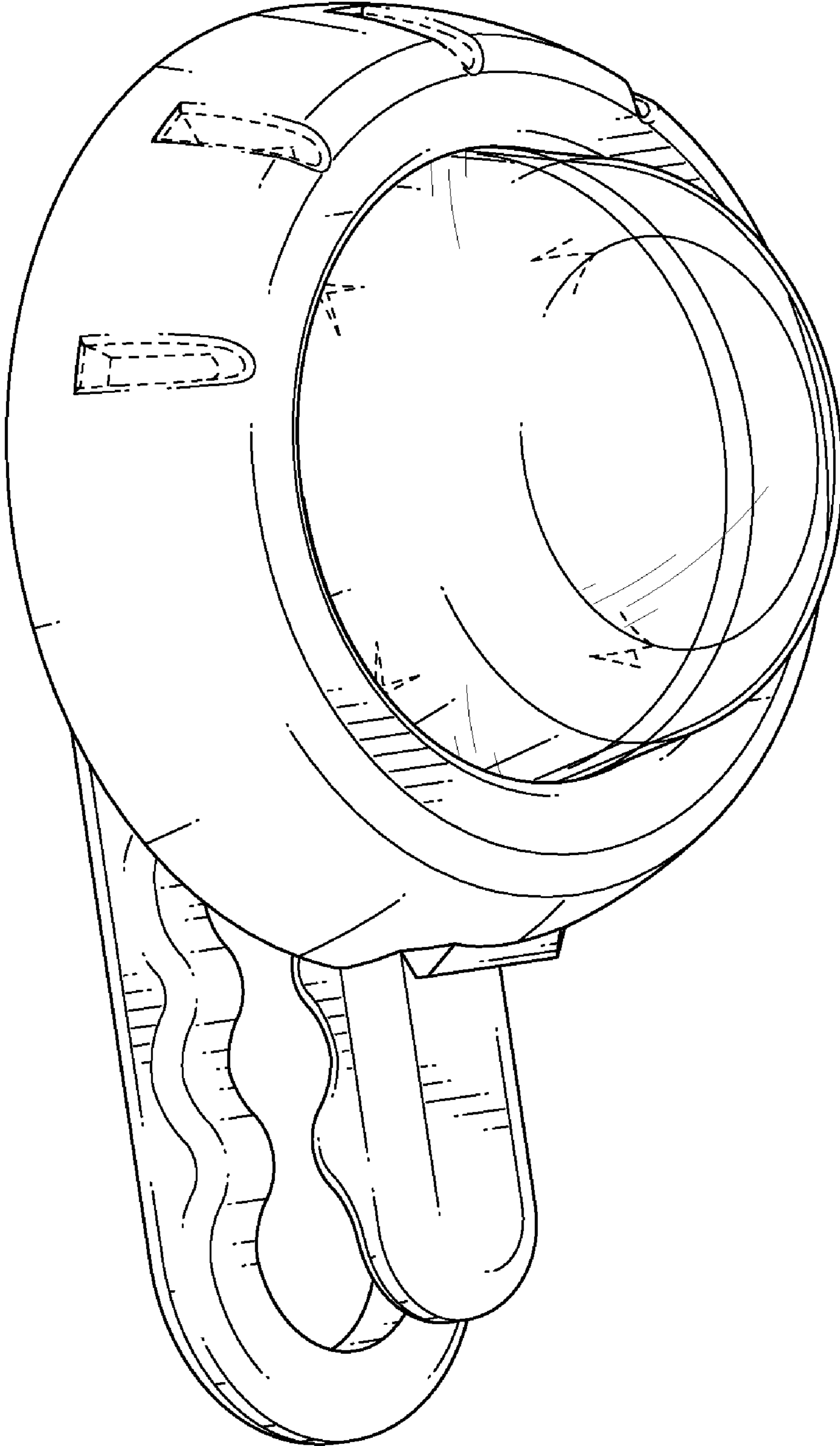


Fig. 15

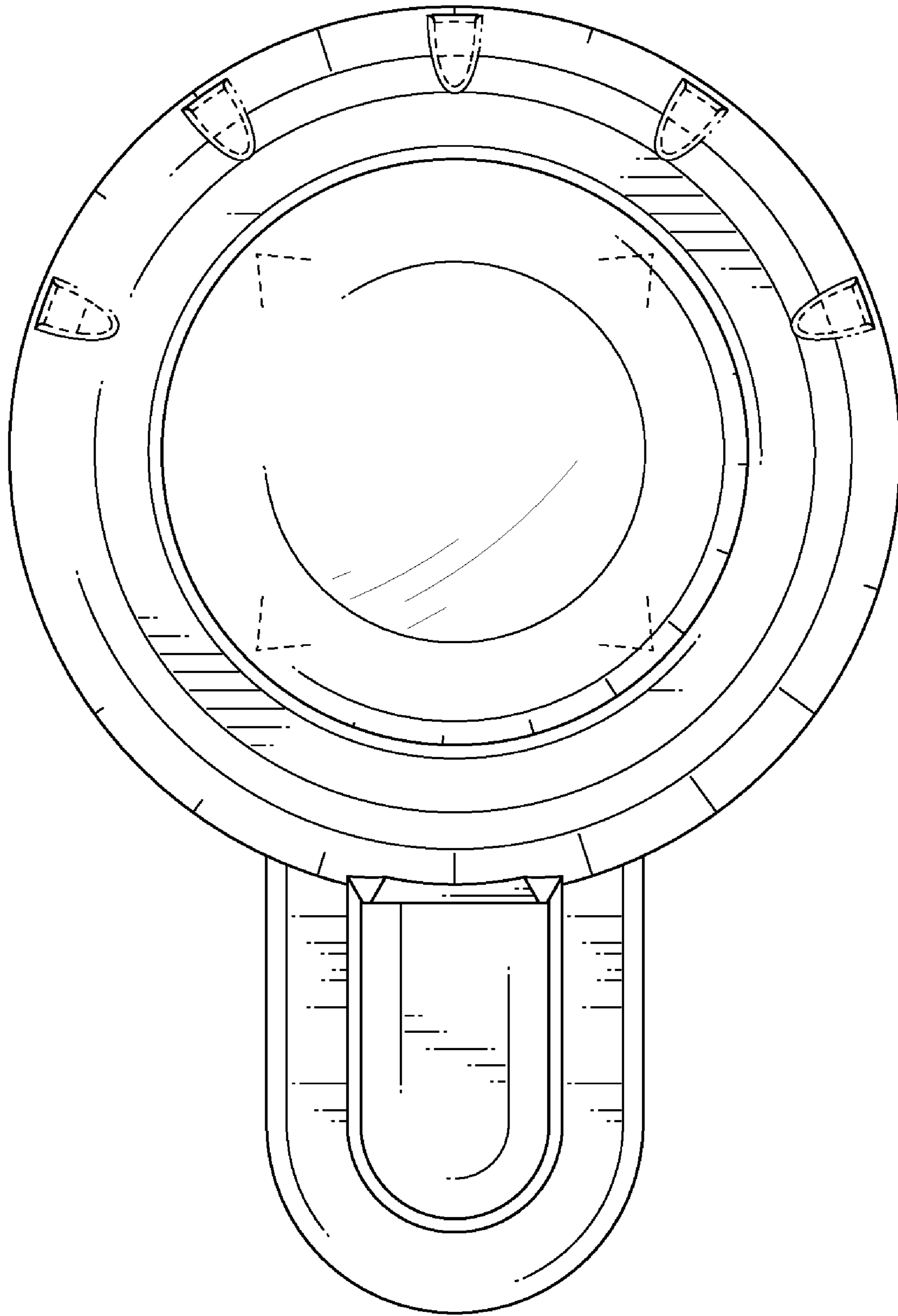


Fig. 16

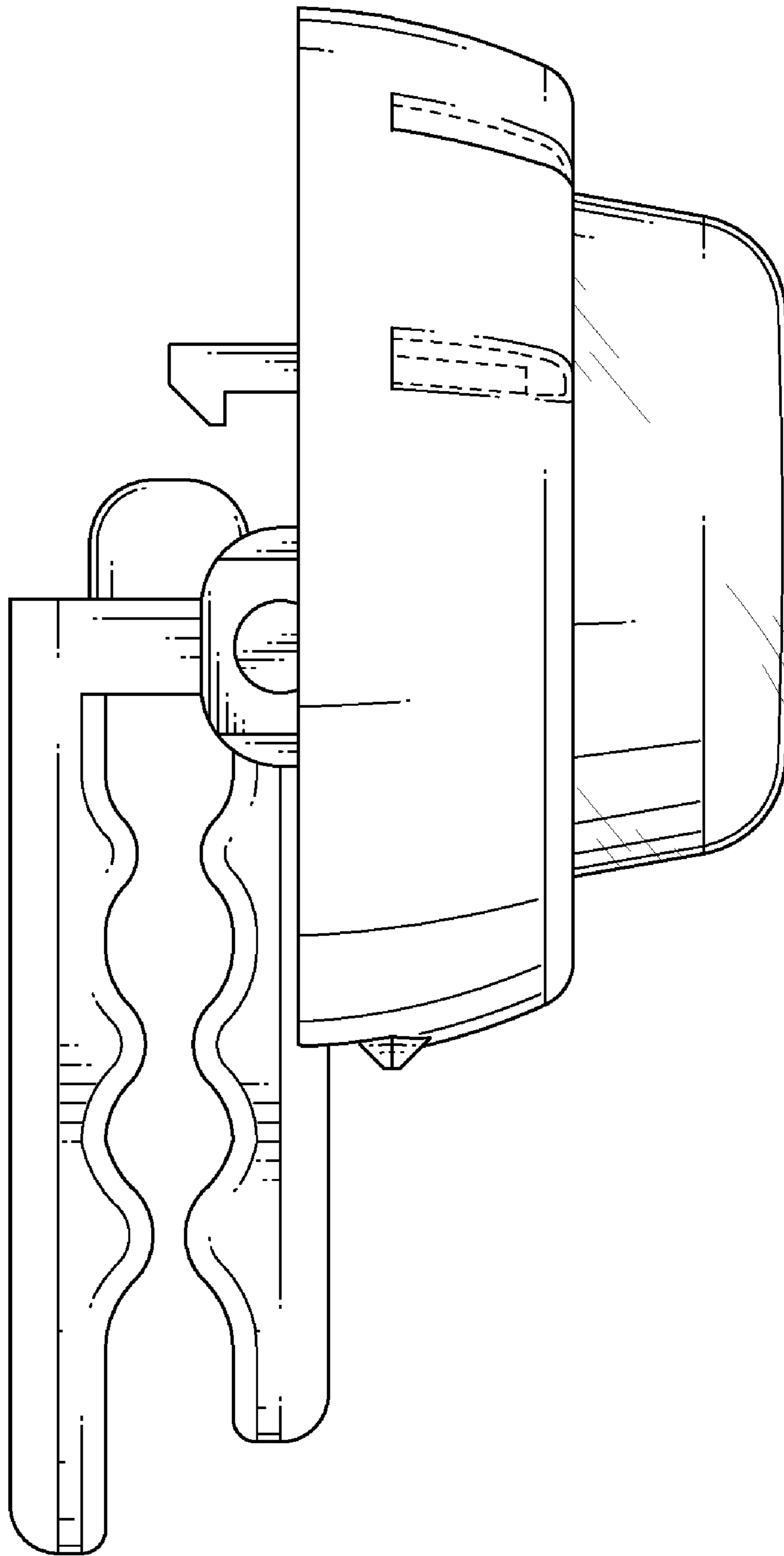


Fig. 17

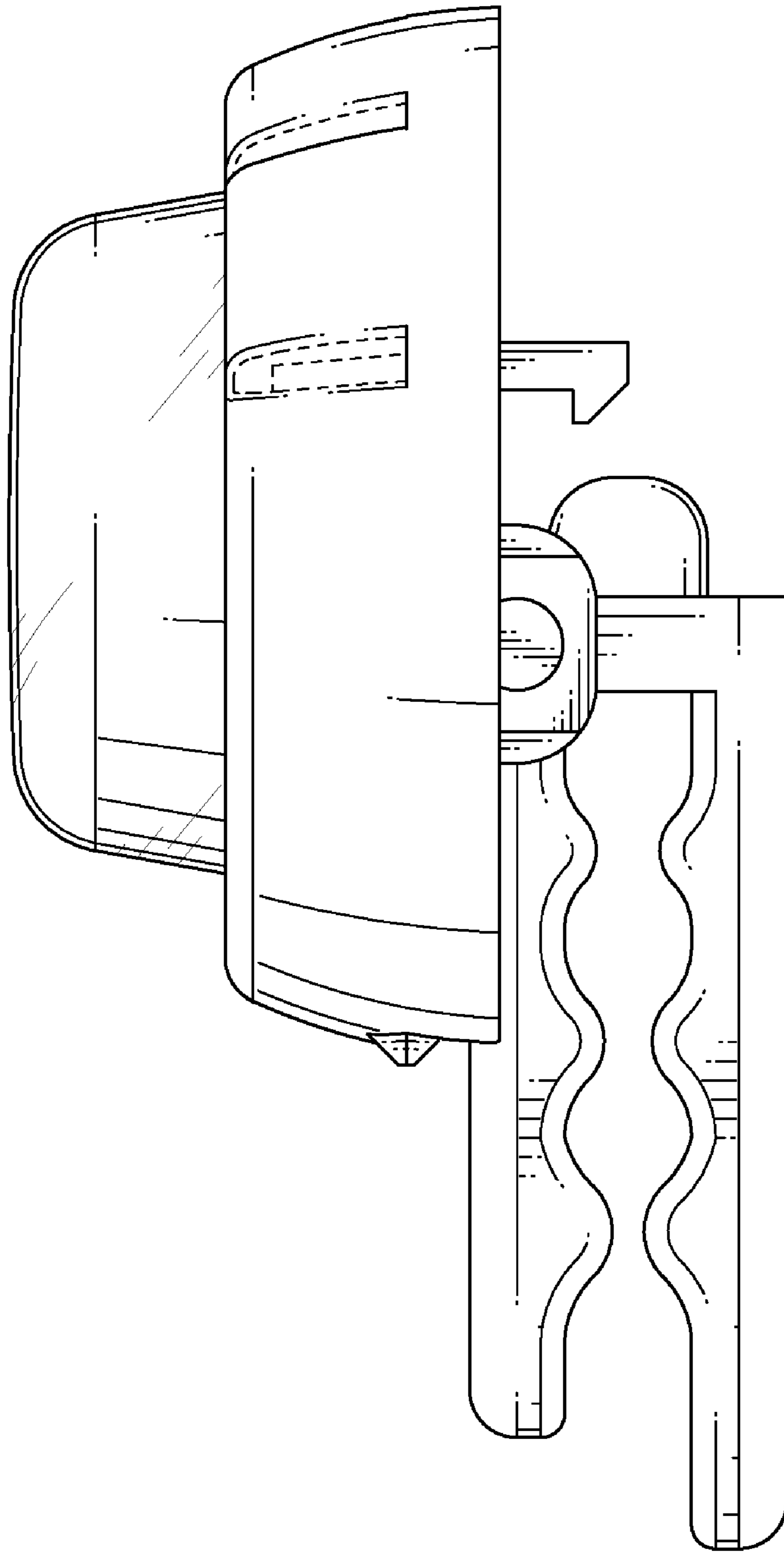


Fig. 18

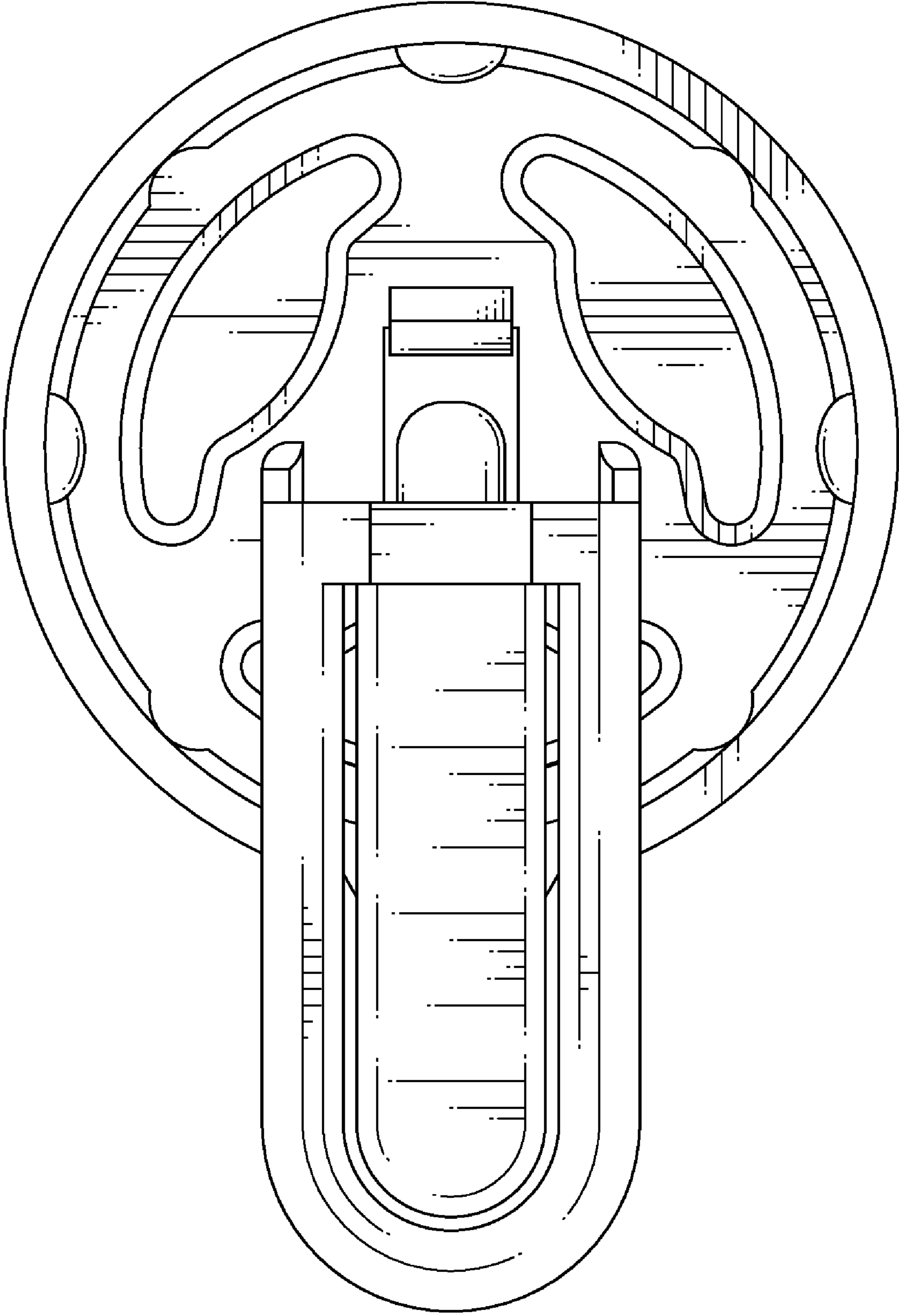


Fig. 19

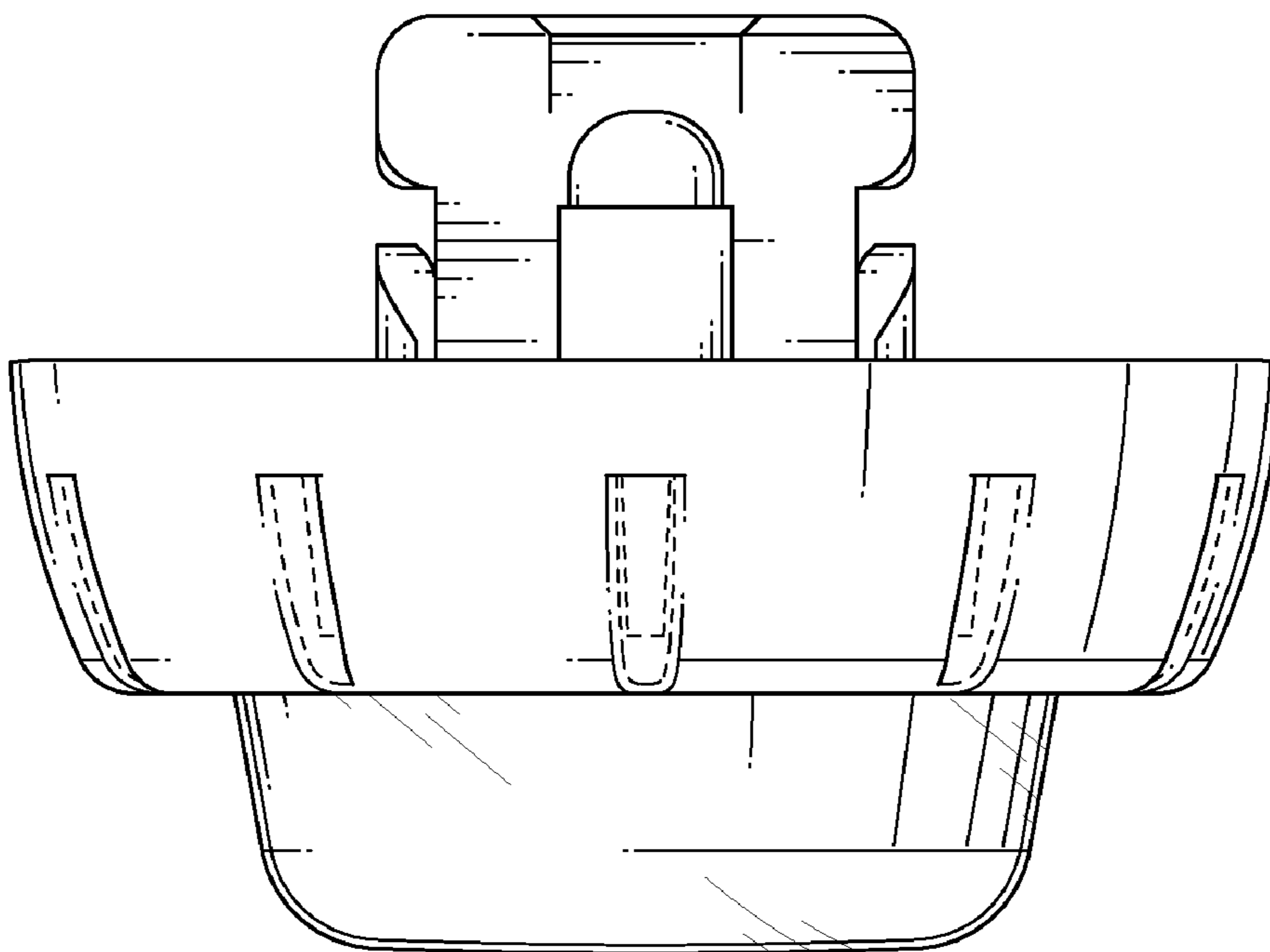


Fig. 20

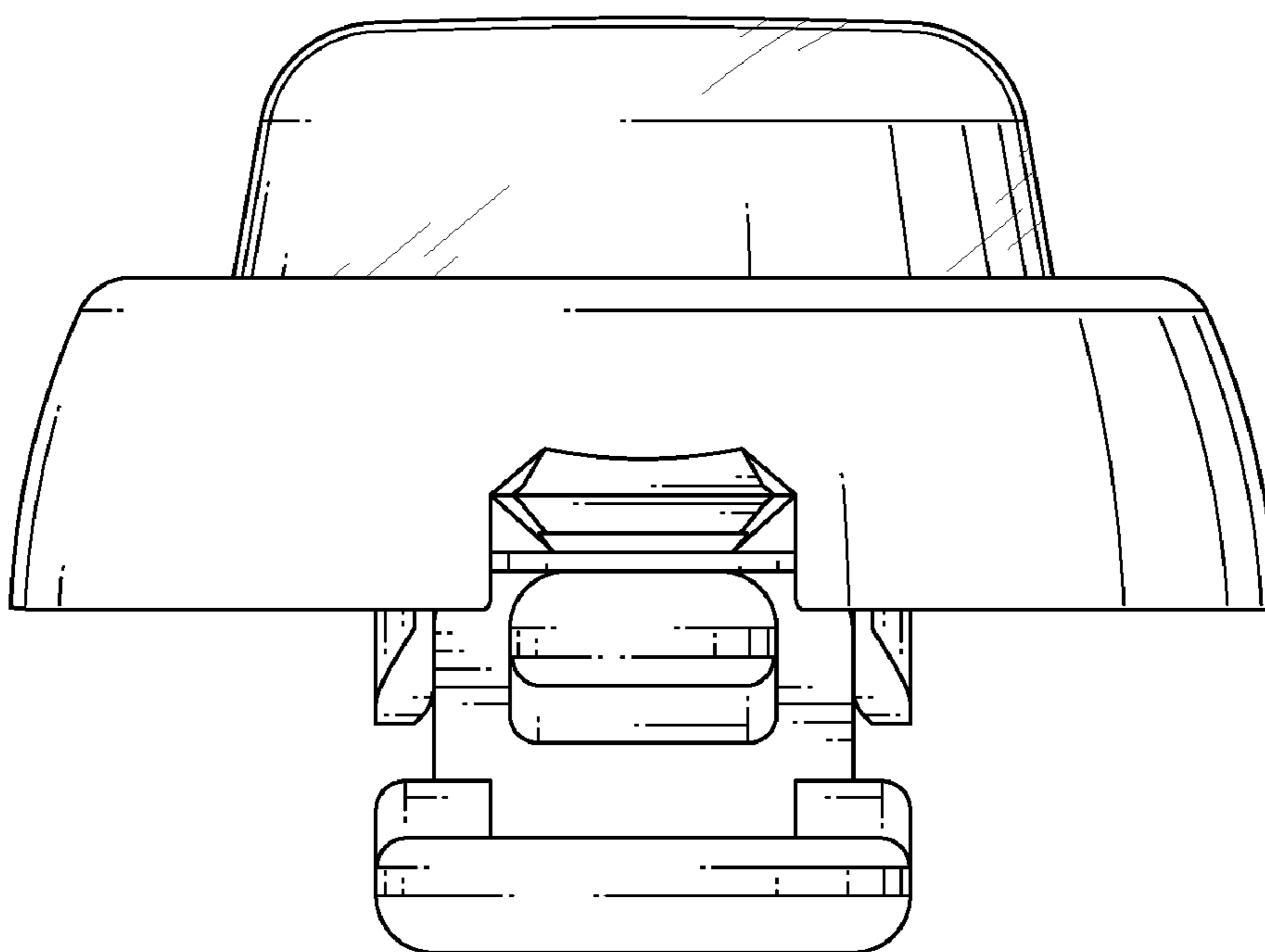


Fig. 21