



US00D613387S

(12) **United States Design Patent**  
**Satou**

(10) **Patent No.:** **US D613,387 S**

(45) **Date of Patent:** **\*\* Apr. 6, 2010**

(54) **AIR PURIFIER**

D595,826 S \* 7/2009 Ohta ..... D23/364  
D595,827 S \* 7/2009 Satou ..... D23/364  
D600,336 S \* 9/2009 Lin ..... D23/332

(75) Inventor: **Dai Satou**, Kusatsu (JP)

(73) Assignee: **Daikin Industries Ltd.**, Osaka (JP)

\* cited by examiner

(\*\*) Term: **14 Years**

*Primary Examiner*—T. Chase Nelson

*Assistant Examiner*—David G Muller

(21) Appl. No.: **29/347,053**

(74) *Attorney, Agent, or Firm*—Manabu Kanesaka

(22) Filed: **Sep. 9, 2009**

(57) **CLAIM**

(51) **LOC (9) Cl.** ..... **23-04**

The ornamental design for an air purifier, as shown and described.

(52) **U.S. Cl.** ..... **D23/364**

(58) **Field of Classification Search** ..... D23/364,  
D23/355, 356, 359, 360, 366, 369, 332, 333,  
D23/335, 342, 351; 422/120, 122; 55/356,  
55/473, 504; 96/97; D14/188, 170, 172;  
261/DIG. 17, DIG. 65, DIG. 88, DIG. 31;  
D18/34.6

**DESCRIPTION**

See application file for complete search history.

FIG. 1 is a perspective view of an air purifier showing my new design;

FIG. 2 is a front view thereof;

FIG. 3 is a rear view thereof;

FIG. 4 is a plan view thereof;

FIG. 5 is a bottom view thereof;

FIG. 6 is a left side view thereof;

FIG. 7 is a right side view thereof;

FIG. 8 is a perspective view in a state of being operated; and,

FIG. 9 is a sectional view thereof taken along line 9—9 in FIG. 2.

The broken lines depict portions of the air purifier that form no part of the claimed design.

(56) **References Cited**

**U.S. PATENT DOCUMENTS**

D462,754 S *	9/2002	Briggs et al. ....	D23/364
D534,999 S *	1/2007	Hussaini et al. ....	D23/335
D537,512 S *	2/2007	Nakajima ..... ..	D23/359
D566,819 S *	4/2008	Chiu ..... ..	D23/333
D572,357 S *	7/2008	Murai et al. ....	D23/366
D572,810 S *	7/2008	Chiu ..... ..	D23/333
D575,857 S *	8/2008	Chiu ..... ..	D23/333
D587,794 S *	3/2009	Yoo et al. ....	D23/359
D590,488 S *	4/2009	Chiu ..... ..	D23/333
D595,824 S *	7/2009	Ohta ..... ..	D23/364

**1 Claim, 8 Drawing Sheets**

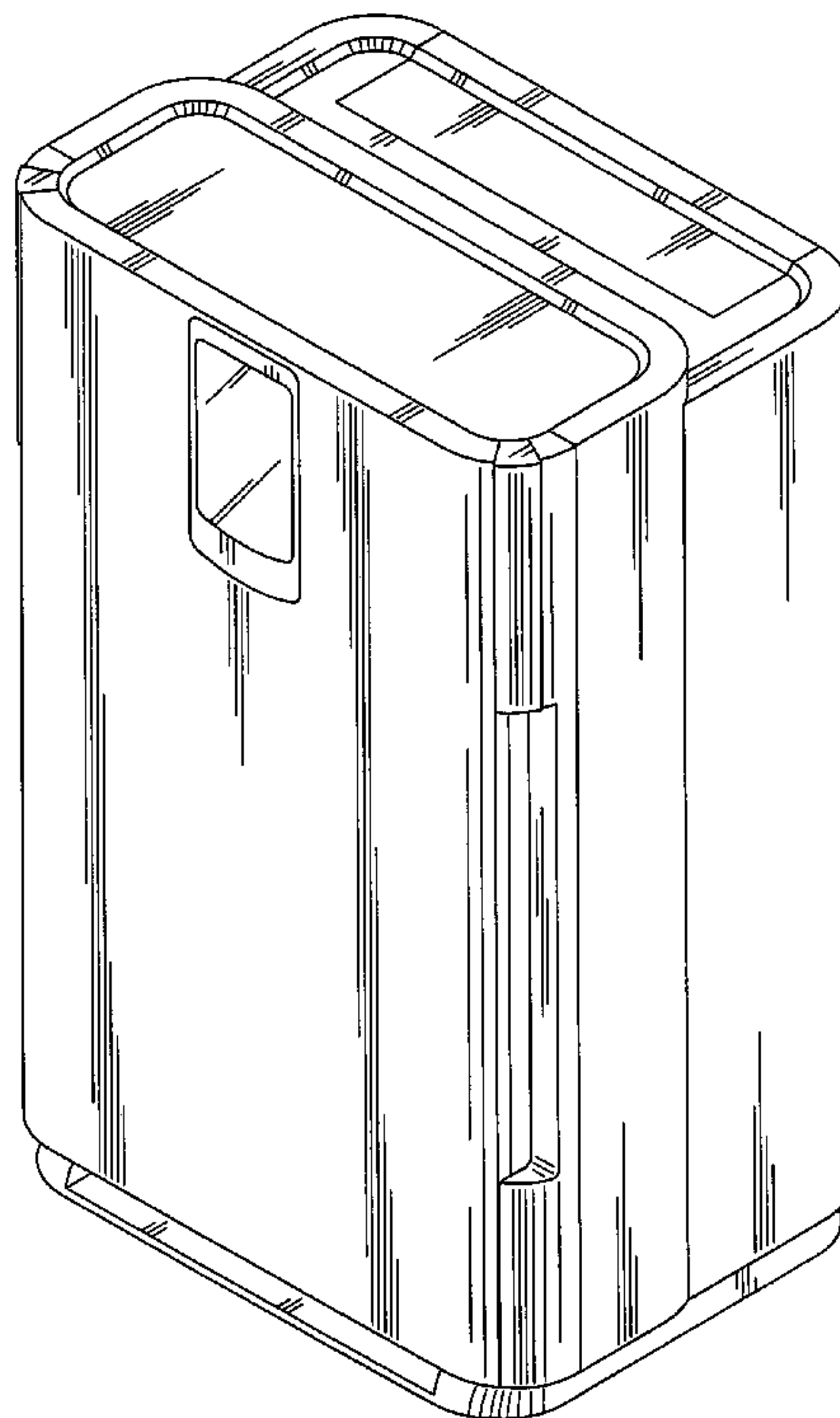


FIG.1

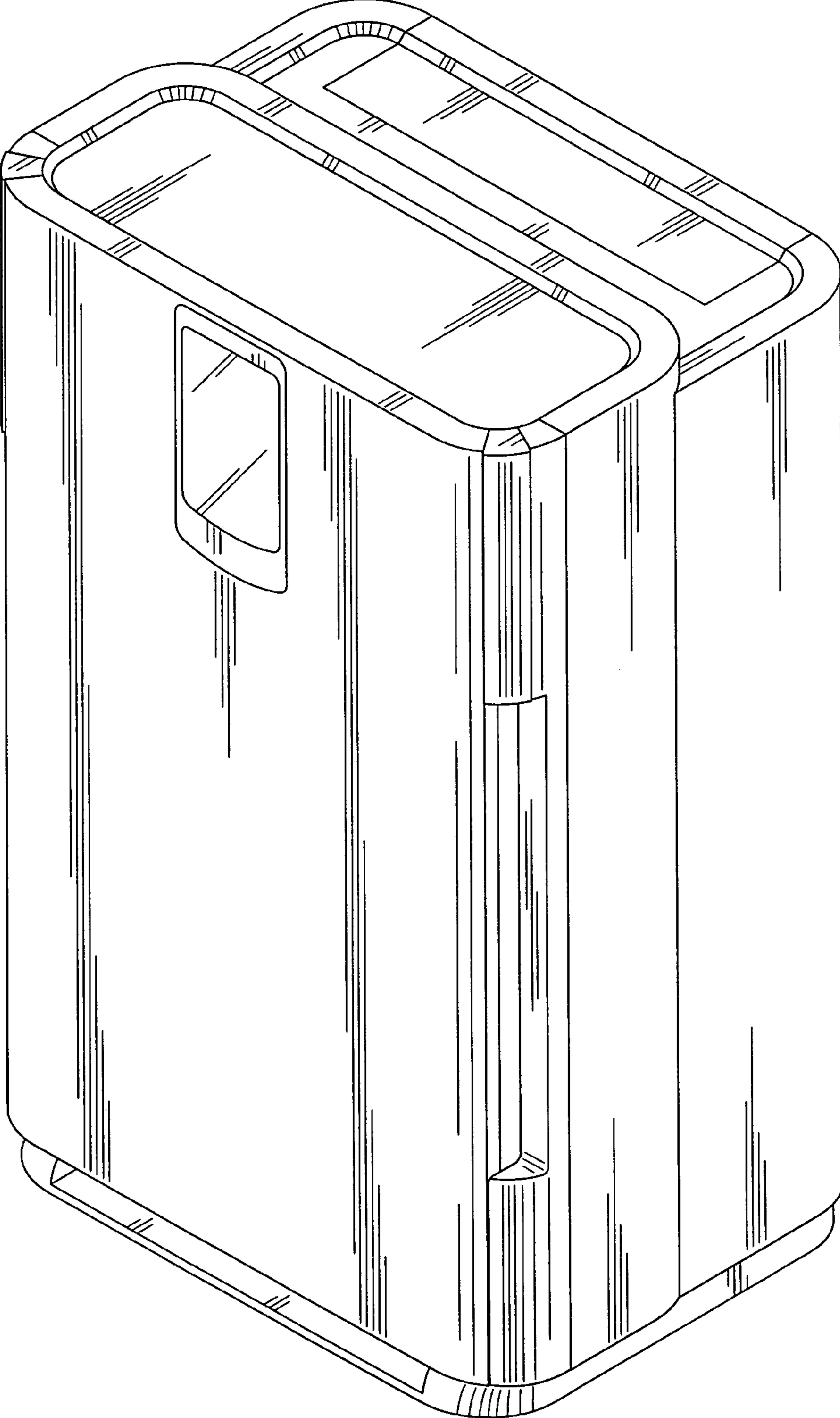


FIG.2

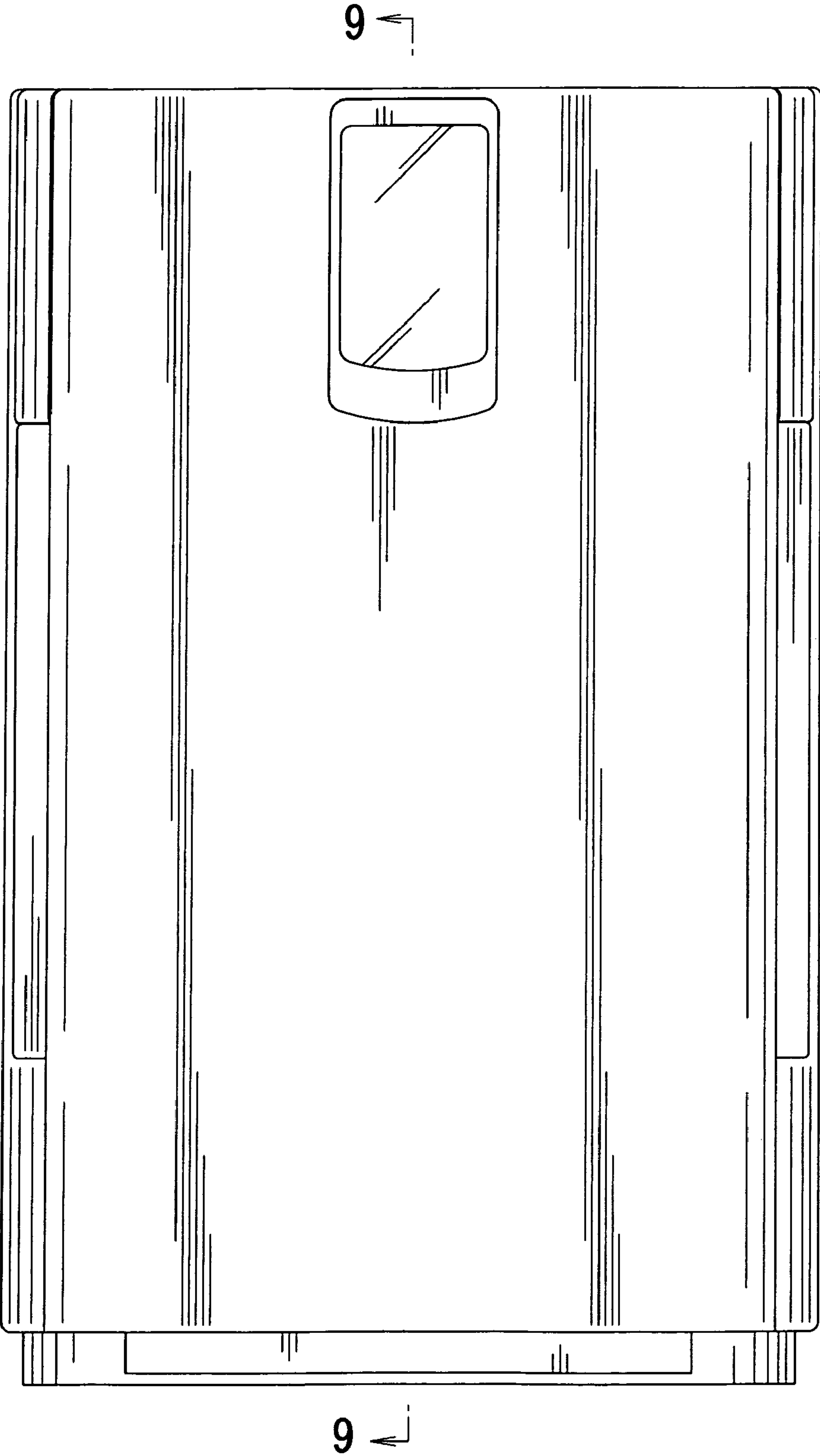


FIG.3

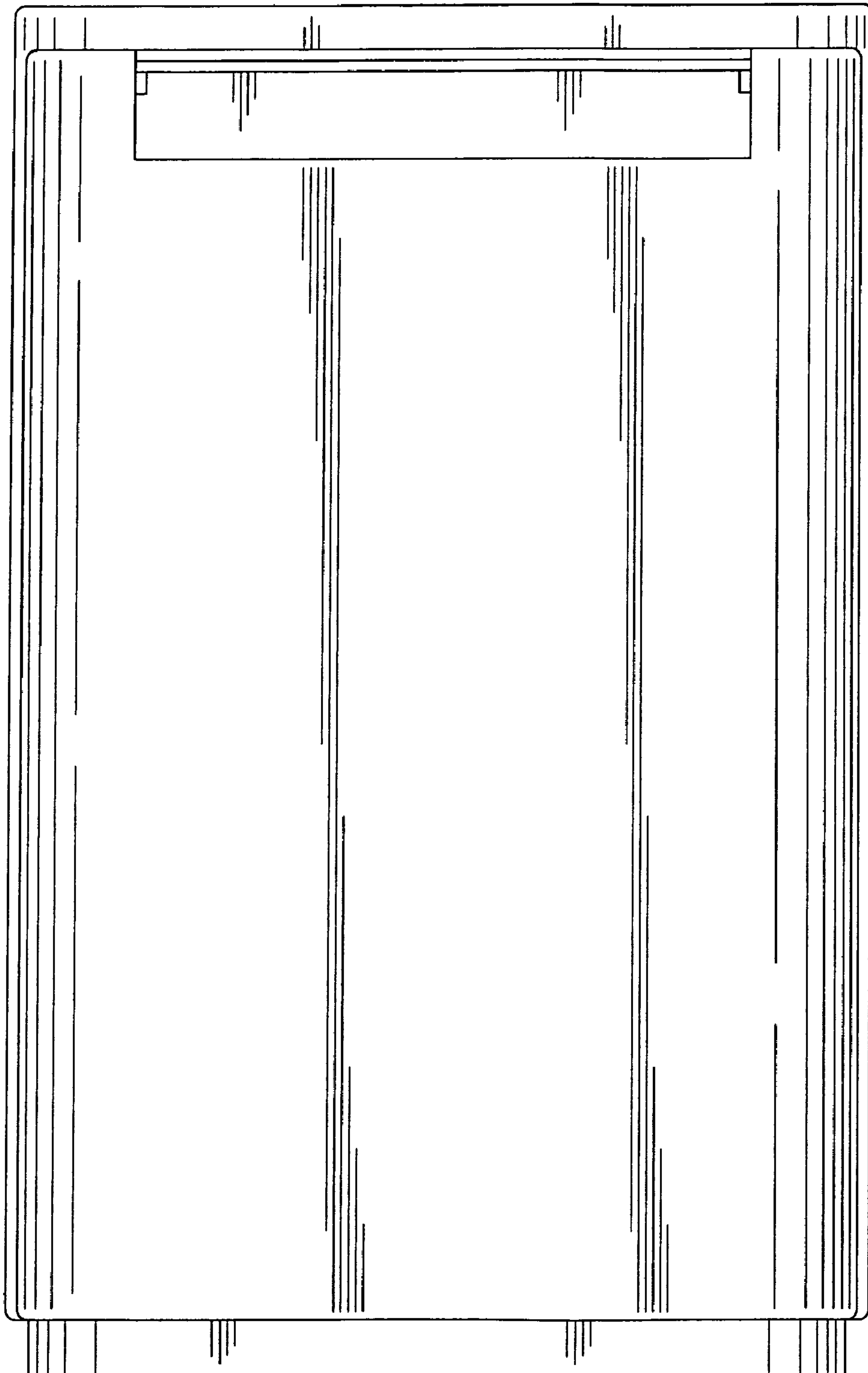


FIG.4

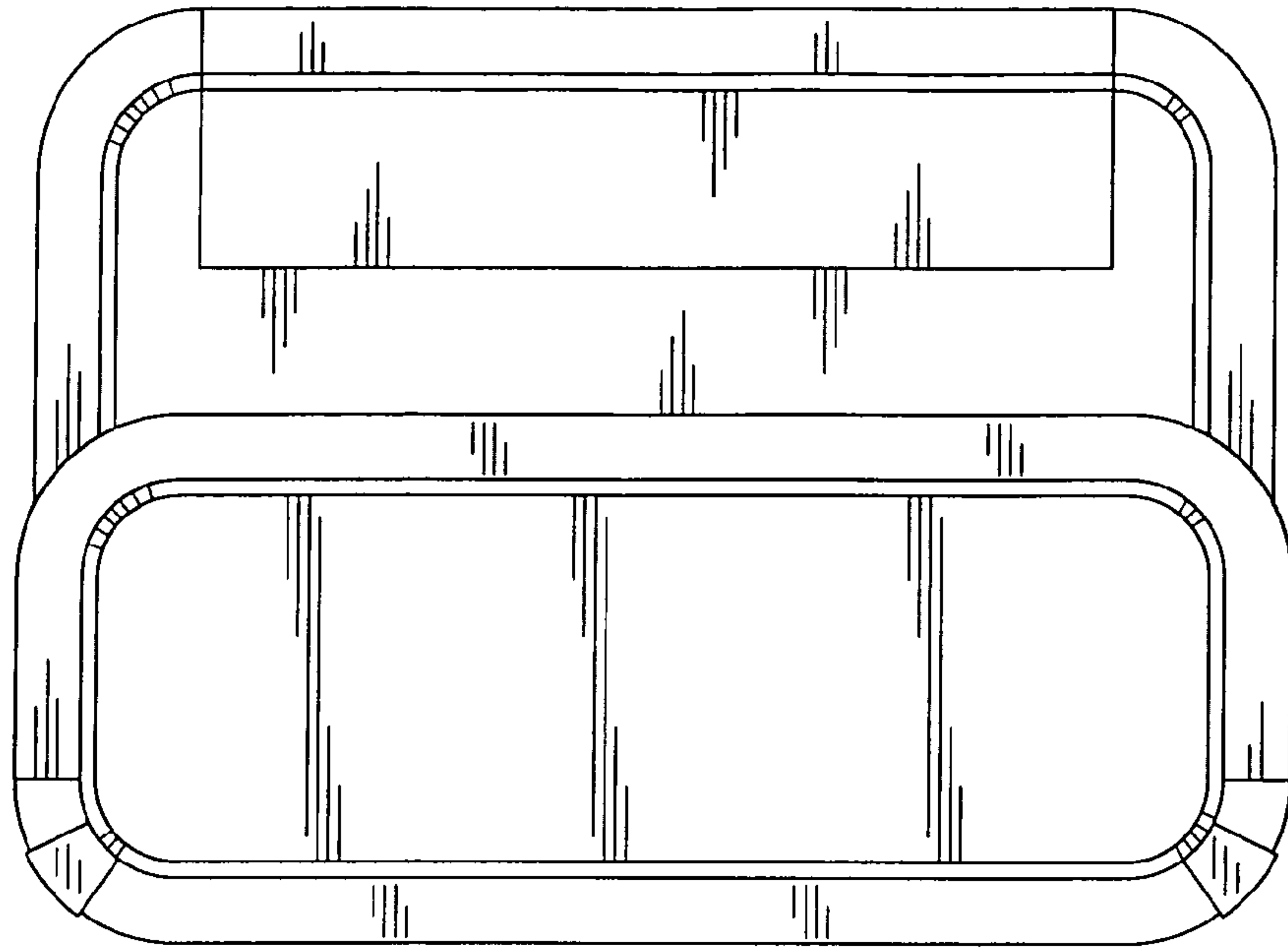


FIG.5

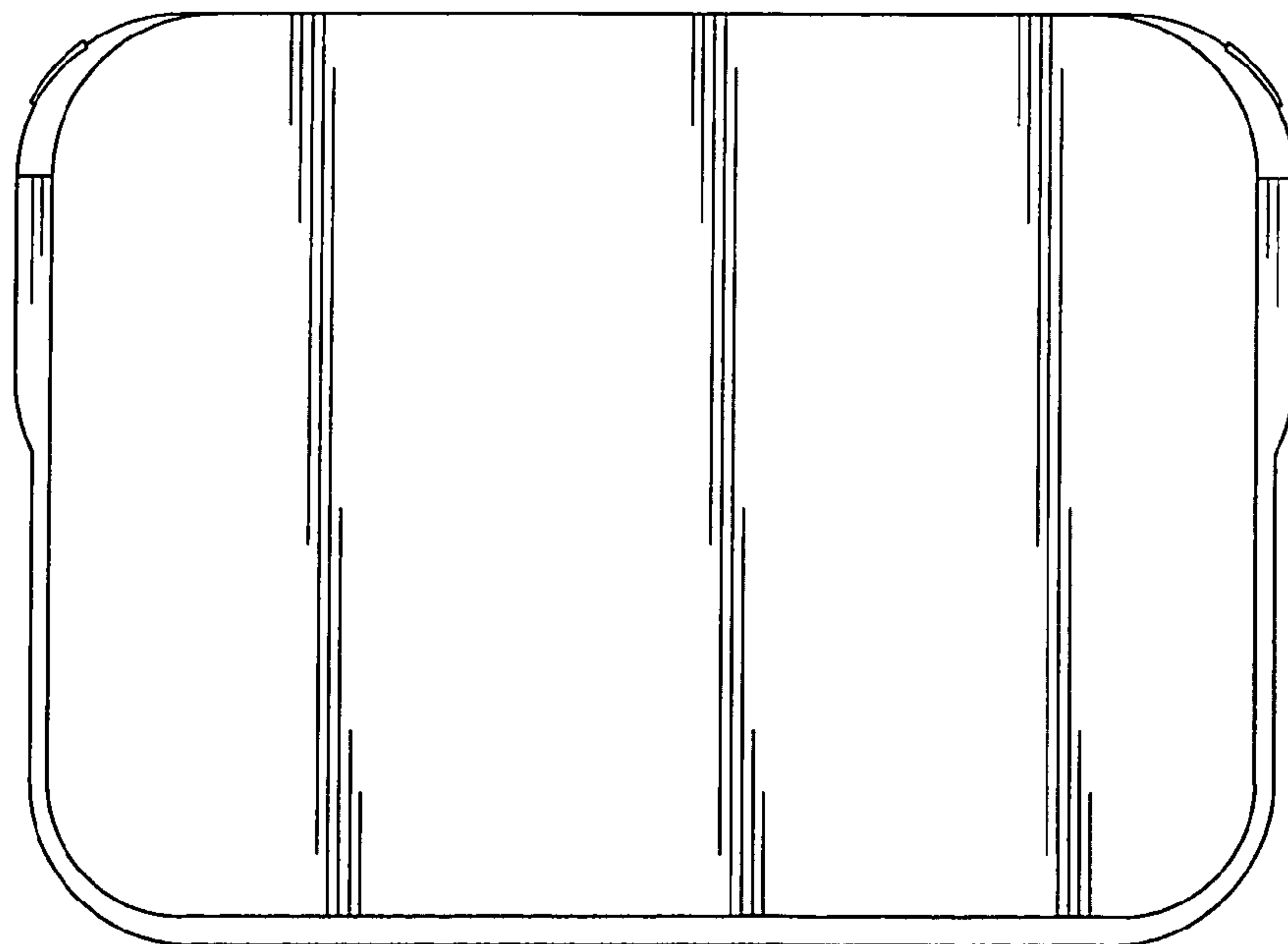


FIG.6

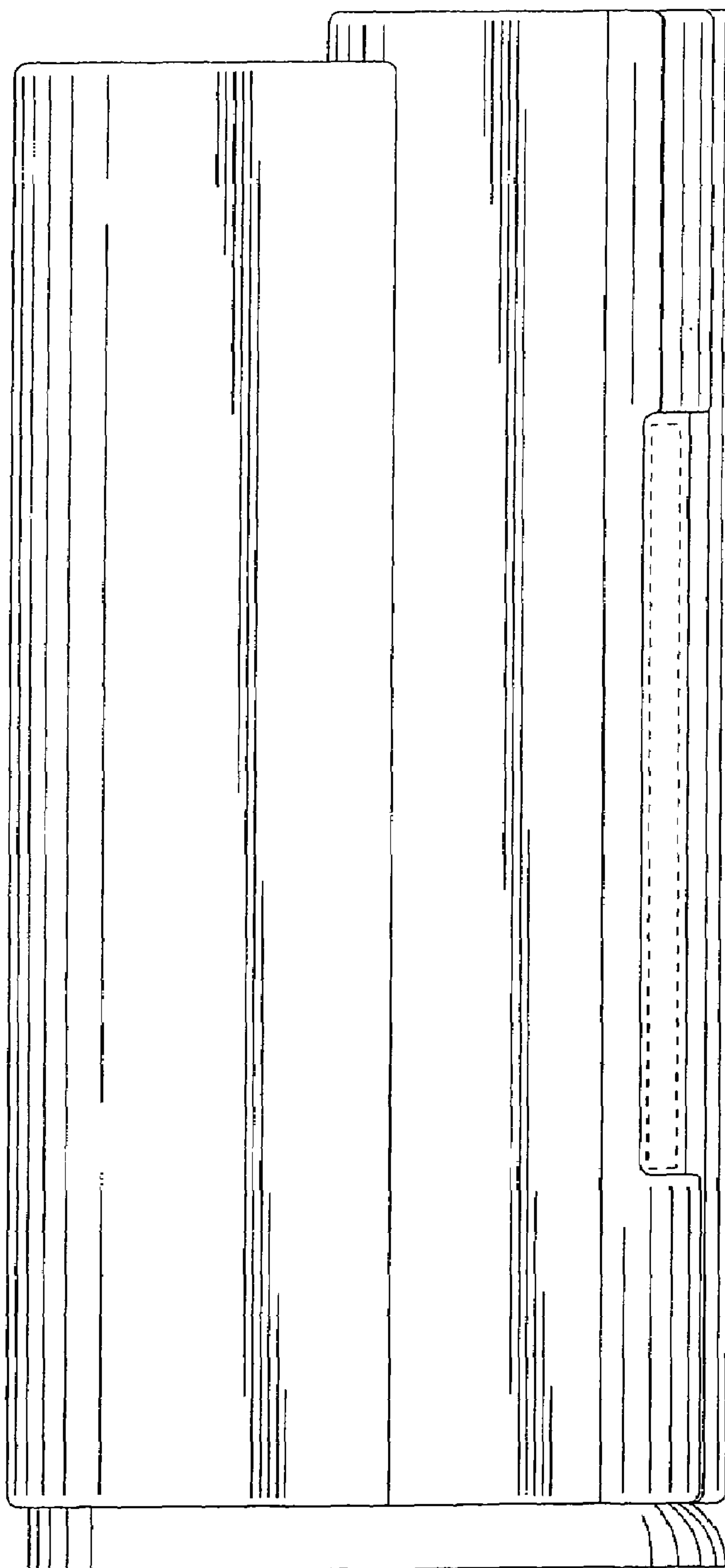


FIG. 7

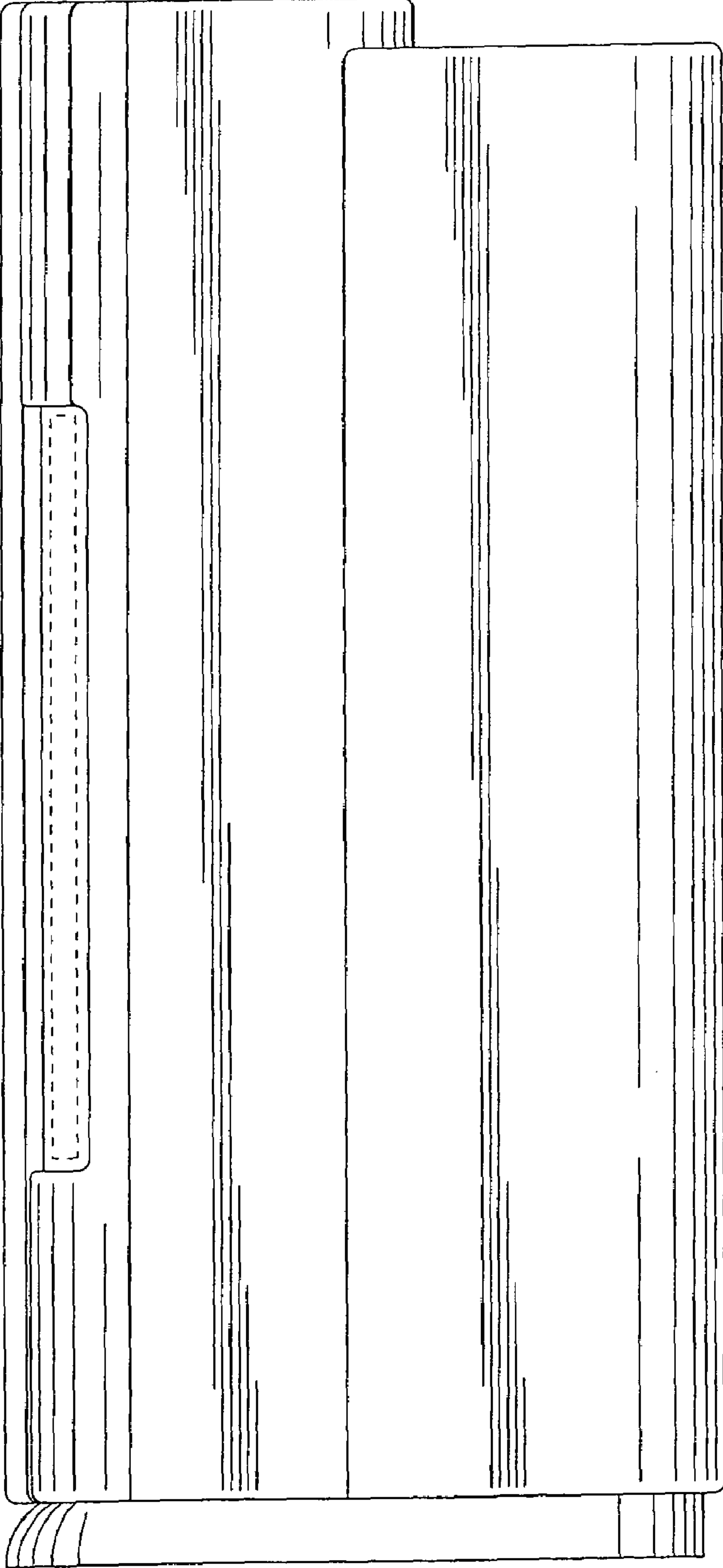




FIG.8

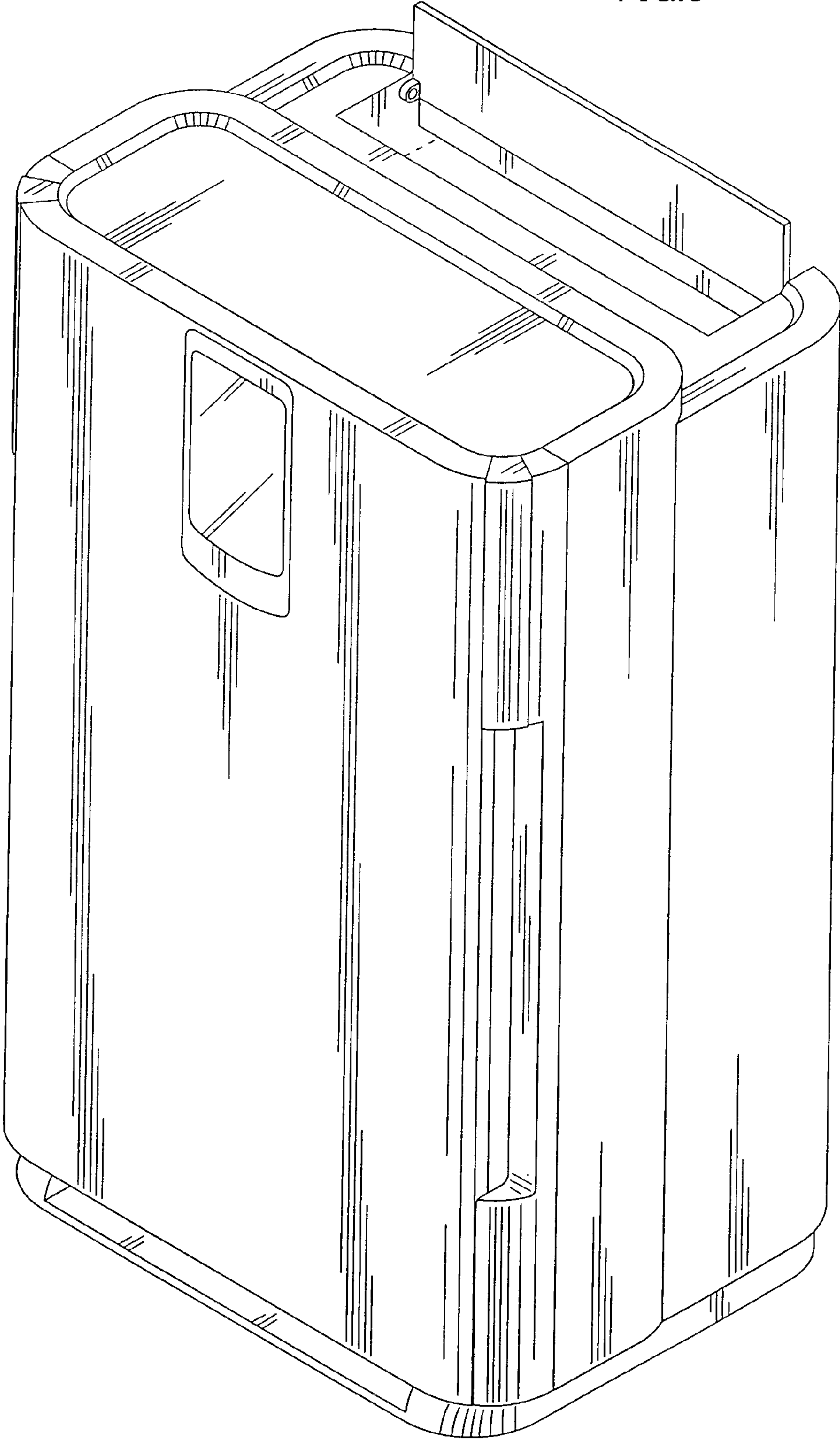




FIG.9

