



US00D613386S

(12) **United States Design Patent**
Niki et al.

(10) **Patent No.:** **US D613,386 S**
(45) **Date of Patent:** **** Apr. 6, 2010**

(54) **AIR PURIFIER**

(75) Inventors: **Kentarou Niki**, Kusatsu (JP); **Dai Satou**, Kusatsu (JP)

(73) Assignee: **Daikin Industries Ltd.**, Osaka (JP)

(**) Term: **14 Years**

(21) Appl. No.: **29/347,051**

(22) Filed: **Sep. 9, 2009**

(51) **LOC (9) Cl.** **23-04**

(52) **U.S. Cl.** **D23/364**

(58) **Field of Classification Search** D23/364,
D23/355, 356, 359, 360, 366, 369, 332, 333,
D23/335, 342, 351; 422/120, 122; 55/356,
55/473, 504; 96/97; D14/188, 170, 172;
261/DIG. 17, DIG. 65, DIG. 88, DIG. 31;
D18/34.6

See application file for complete search history.

(56) **References Cited**

U.S. PATENT DOCUMENTS

D521,135 S *	5/2006	Kita	D23/364
D549,307 S *	8/2007	Chiu	D23/333
D550,343 S *	9/2007	Chen	D23/364
D564,645 S *	3/2008	Shapiro	D23/332
D566,819 S *	4/2008	Chiu	D23/333
D575,857 S *	8/2008	Chiu	D23/333
D586,451 S *	2/2009	Murai	D23/364

D587,794 S *	3/2009	Yoo et al.	D23/359
D589,132 S *	3/2009	Chiu	D23/333
D594,948 S *	6/2009	Lewis	D23/332
D595,825 S *	7/2009	Ohta et al.	D23/364
D598,087 S *	8/2009	Park et al.	D23/333
D599,456 S *	9/2009	Choi	D23/364

* cited by examiner

Primary Examiner—T. Chase Nelson

Assistant Examiner—David G Muller

(74) *Attorney, Agent, or Firm*—Manabu Kanesaka

(57) **CLAIM**

The ornamental design for an air purifier, as shown and described.

DESCRIPTION

FIG. 1 is a perspective view of an air purifier showing our new design;

FIG. 2 is a front view thereof;

FIG. 3 is a rear view thereof;

FIG. 4 is a plan view thereof;

FIG. 5 is a bottom view thereof;

FIG. 6 is a left side view thereof; and,

FIG. 7 is a right side view thereof.

The broken lines depict portions of the air purifier that form no part of the claimed design.

1 Claim, 6 Drawing Sheets

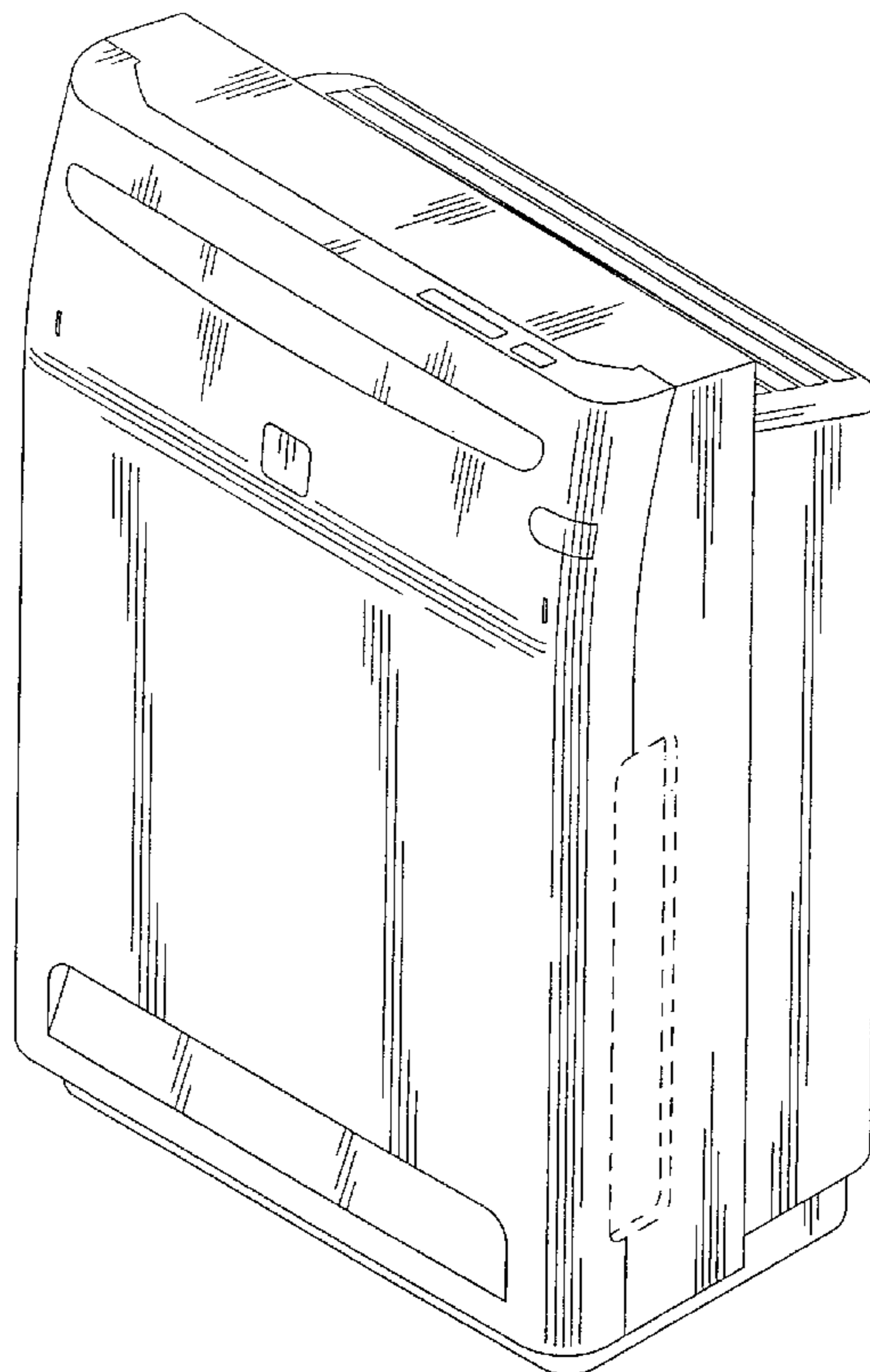


FIG. 1

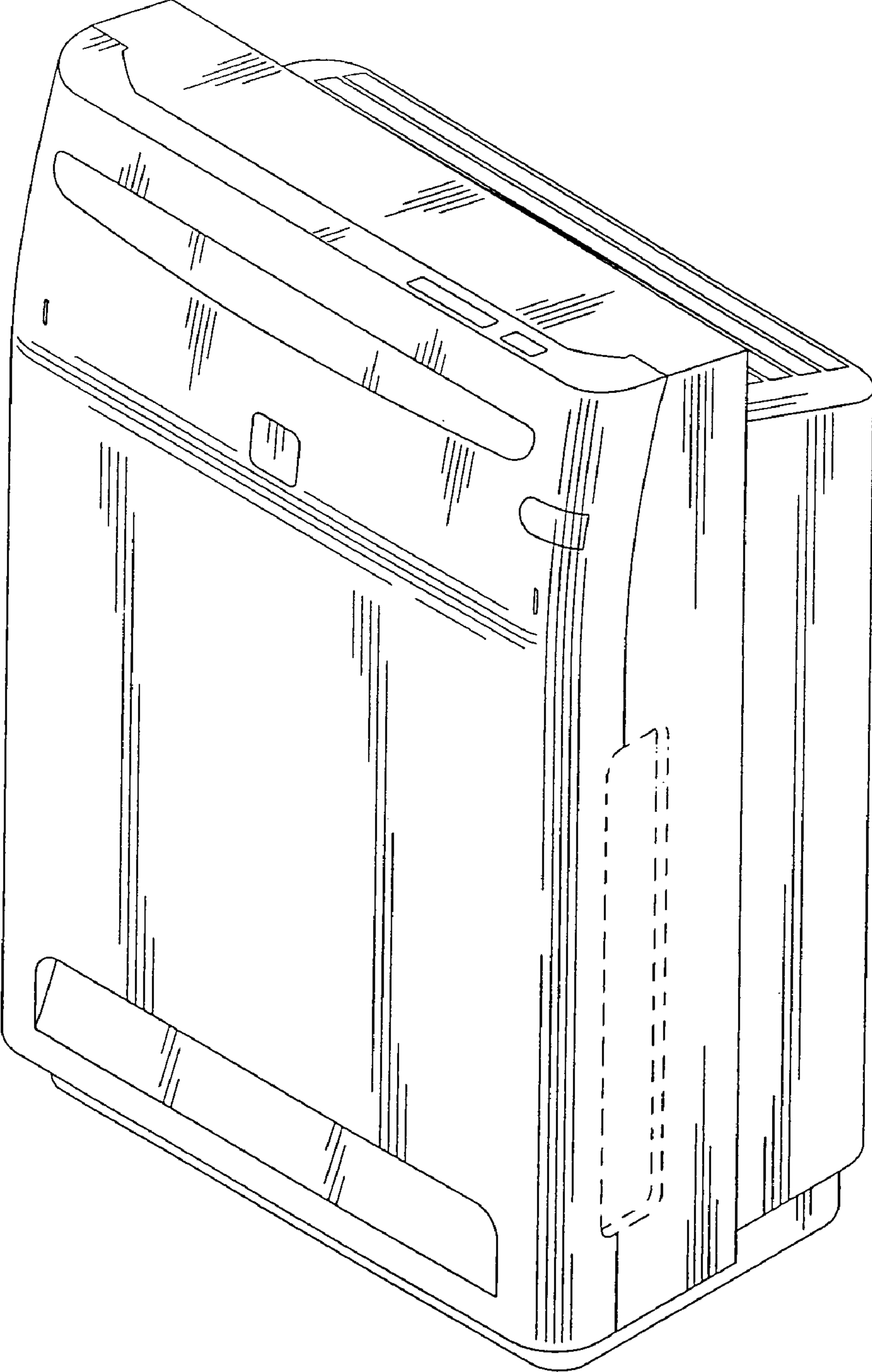


FIG.2

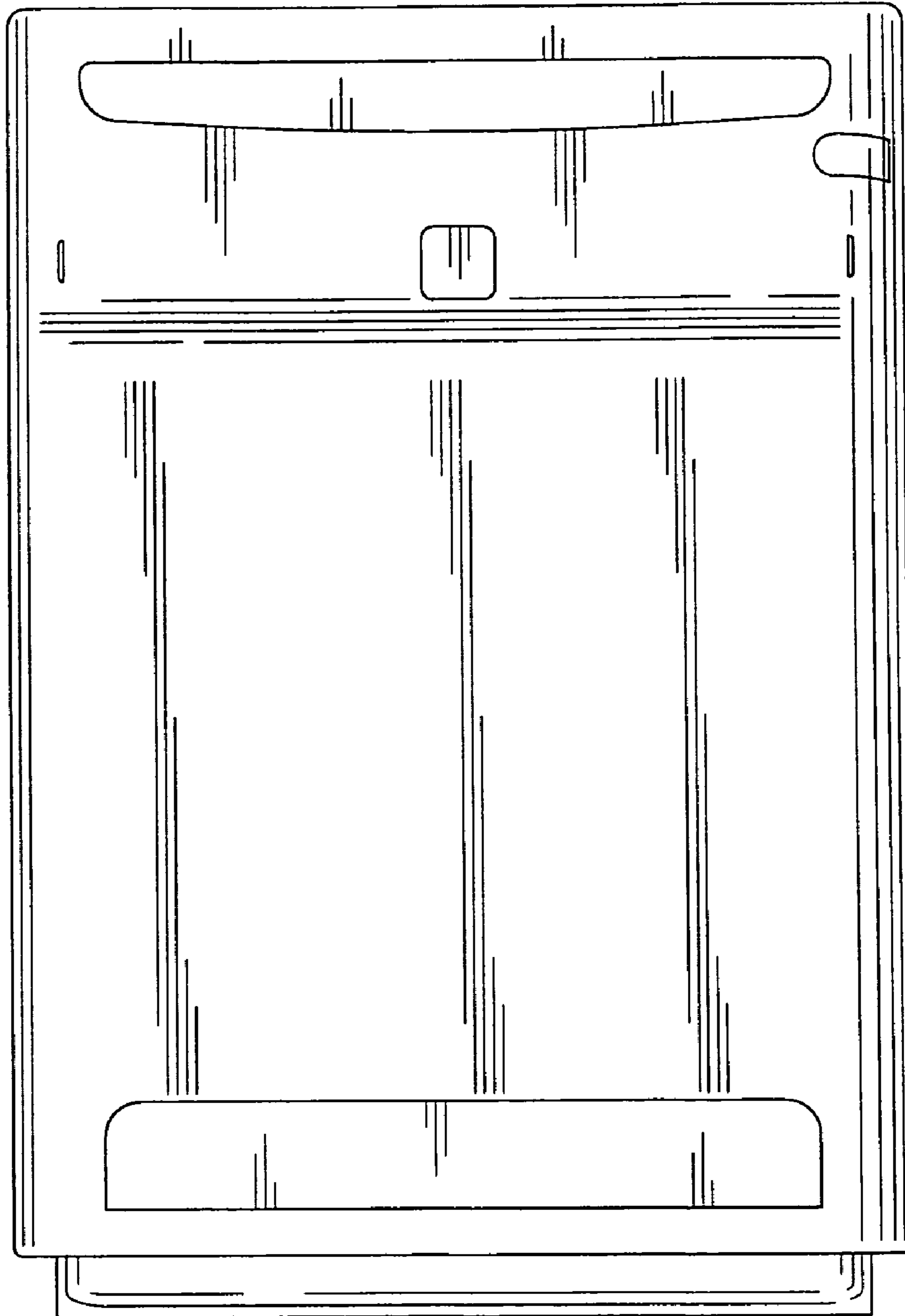


FIG.3

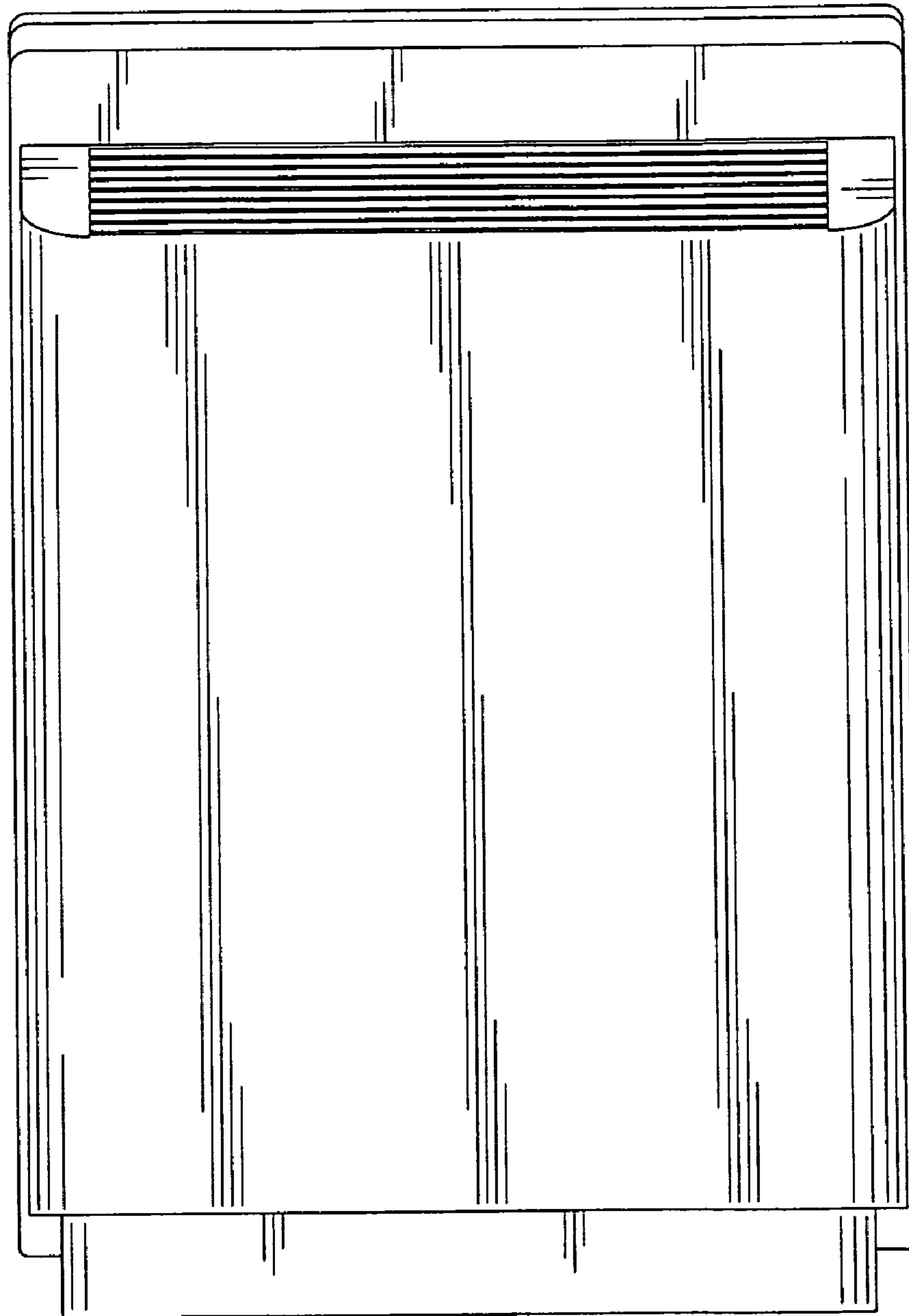


FIG.4

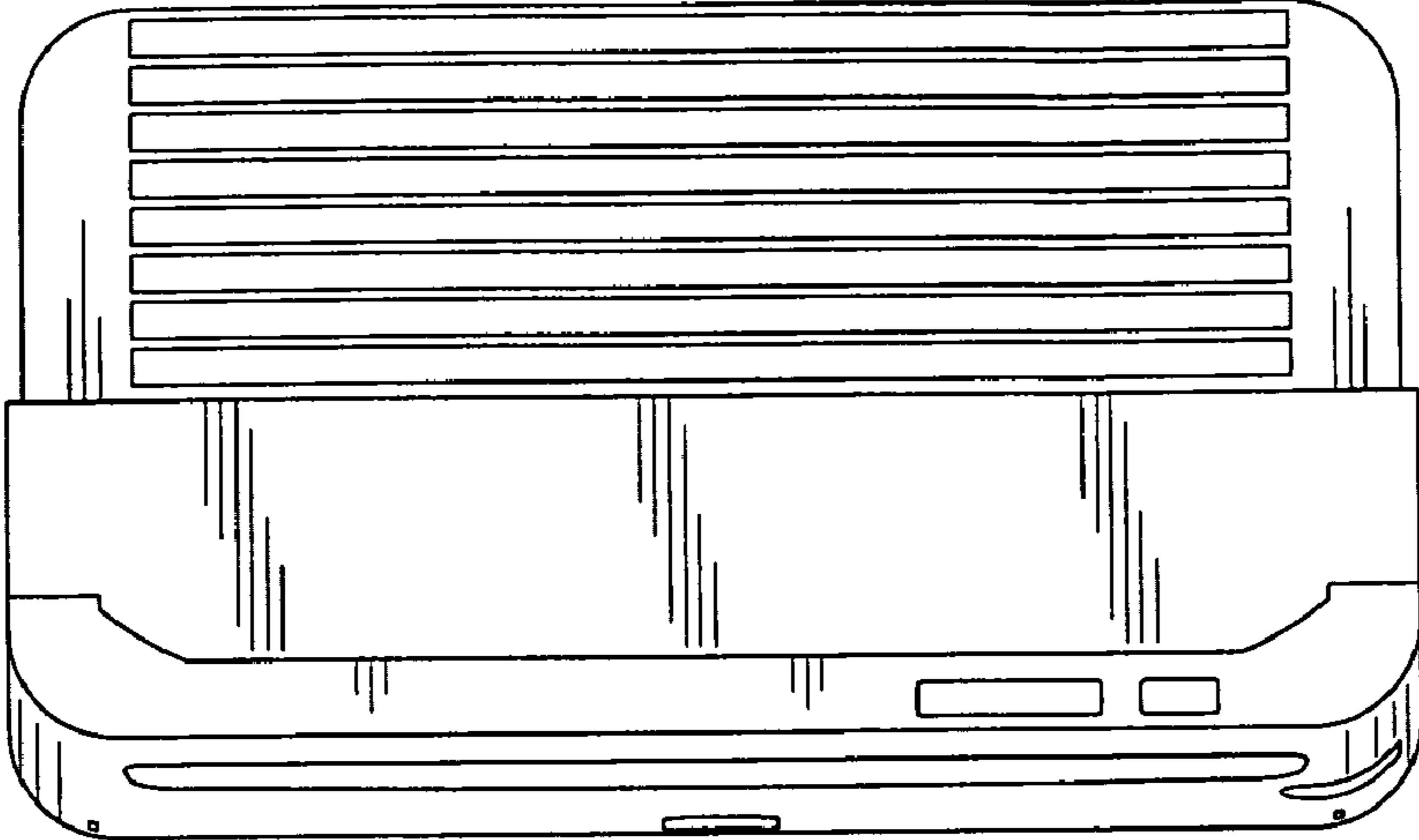


FIG.5

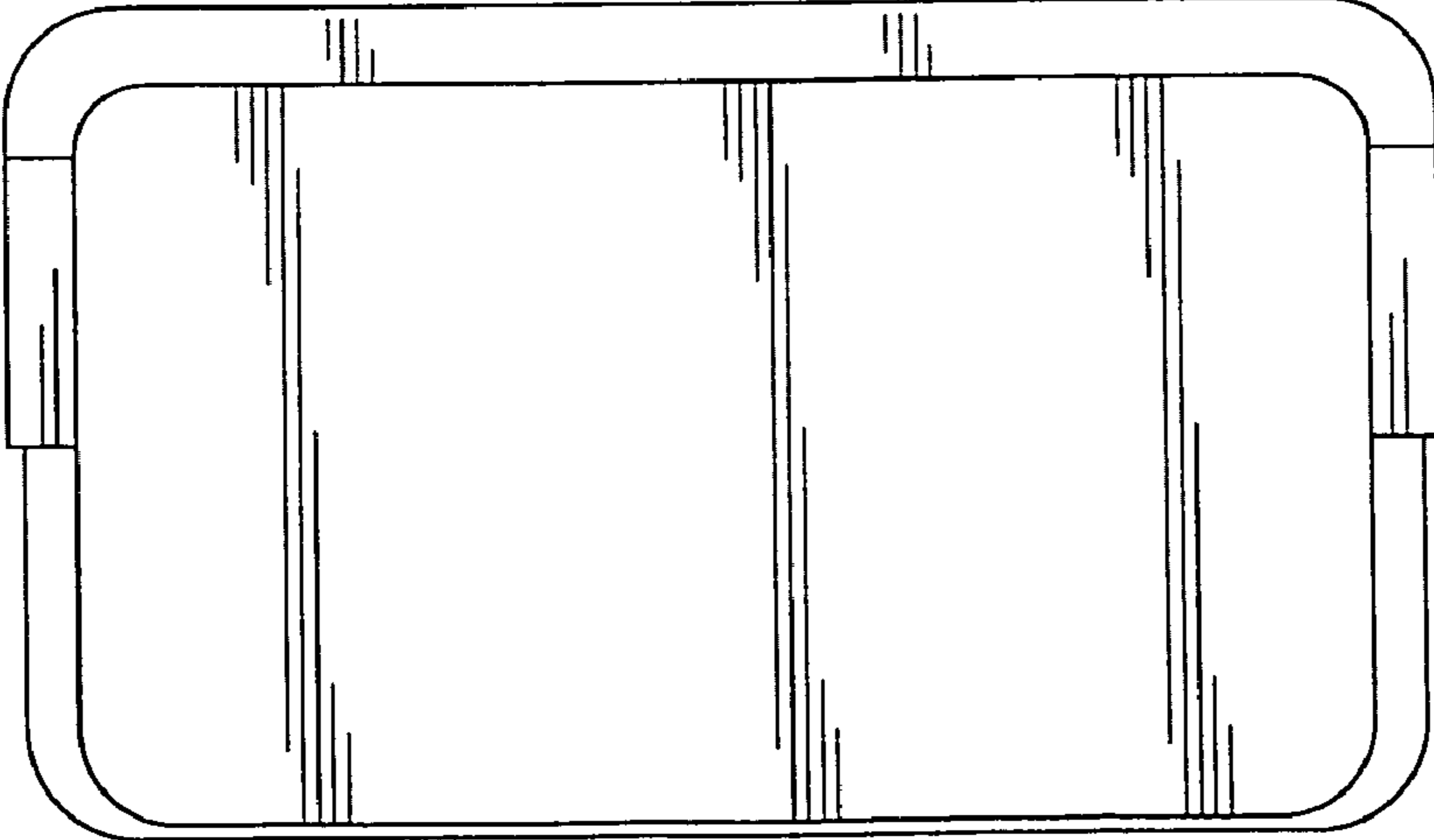


FIG.6

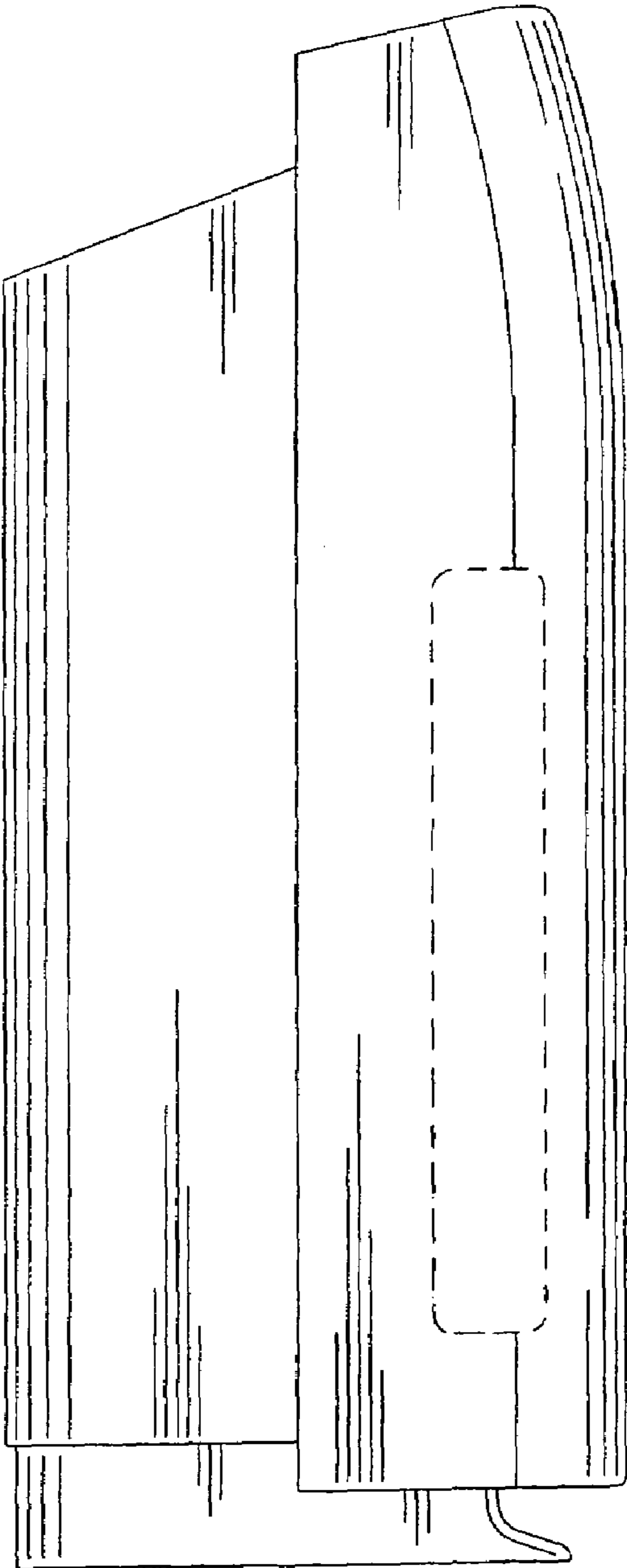


FIG. 7

