



US00D613376S

(12) **United States Design Patent**
Barbu

(10) **Patent No.:** **US D613,376 S**

(45) **Date of Patent:** **** Apr. 6, 2010**

(54) **INFLATABLE DRAIN PLUG**

(76) **Inventor:** **Constantin Barbu**, 68-41 Alderton St.,
Rego Park, NY (US) 11374

(**) **Term:** **14 Years**

(21) **Appl. No.:** **29/310,516**

(22) **Filed:** **Aug. 25, 2008**

(51) **LOC (9) Cl.** **03-01**

(52) **U.S. Cl.** **D23/262**

(58) **Field of Classification Search** D23/259–269;
138/89, 97, 98, 93, 109; 4/286–288, 290,
4/292, 295, 256.1; 220/352, DIG. 19
See application file for complete search history.

(56) **References Cited**

U.S. PATENT DOCUMENTS

5,240,031	A *	8/1993	Vigil	137/315.01
5,427,153	A *	6/1995	Tash	138/93
D369,652	S *	5/1996	Mathison et al.	D23/260
D370,055	S *	5/1996	Mathison	D23/260
D370,715	S *	6/1996	Hamer	D23/260
6,116,286	A *	9/2000	Hooper et al.	138/93
6,347,417	B1 *	2/2002	Ohta	4/689
6,901,966	B2 *	6/2005	Onuki et al.	138/93
7,455,077	B2 *	11/2008	Lundman	138/93

2004/0112451	A1 *	6/2004	Lundman	138/93
2008/0163951	A1 *	7/2008	Lundman	138/93
2009/0050224	A1 *	2/2009	Lundman	138/93

* cited by examiner

Primary Examiner—T. Chase Nelson

Assistant Examiner—Eric L Goodman

(74) *Attorney, Agent, or Firm*—Richard L. Mikesell

(57) **CLAIM**

The ornamental design for an inflatable drain plug, as shown and described.

DESCRIPTION

FIG. 1: Top right perspective view;

FIG. 2: Left end view;

FIG. 3: Right end view;

FIG. 4 is a top plan view;

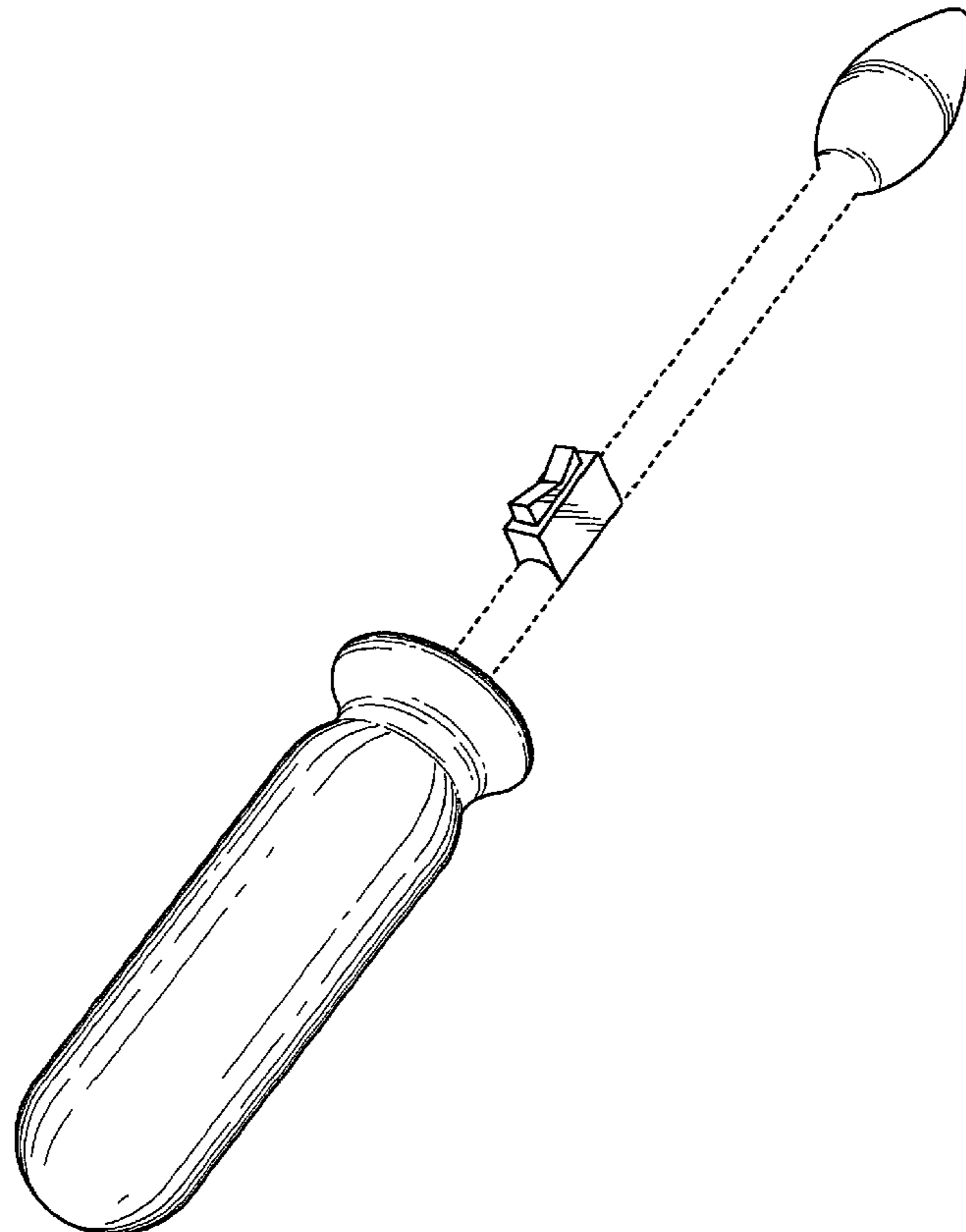
FIG. 5 is a bottom plan view;

FIG. 6 is a right side elevation; and,

FIG. 7 is a left side elevation.

The broken line showing is included for the purpose of illustrating portions of the article that form no part of the claimed design.

1 Claim, 3 Drawing Sheets



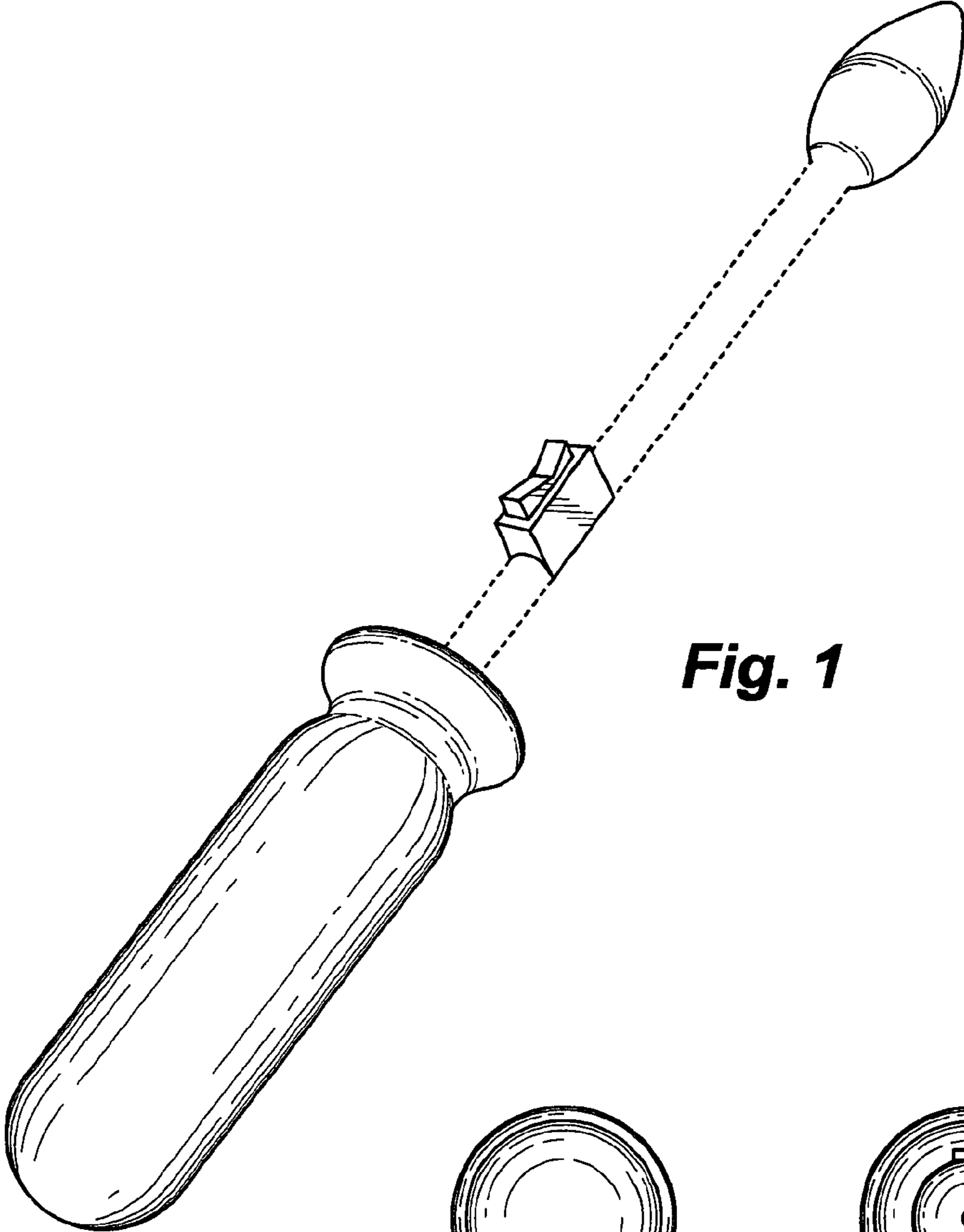


Fig. 1

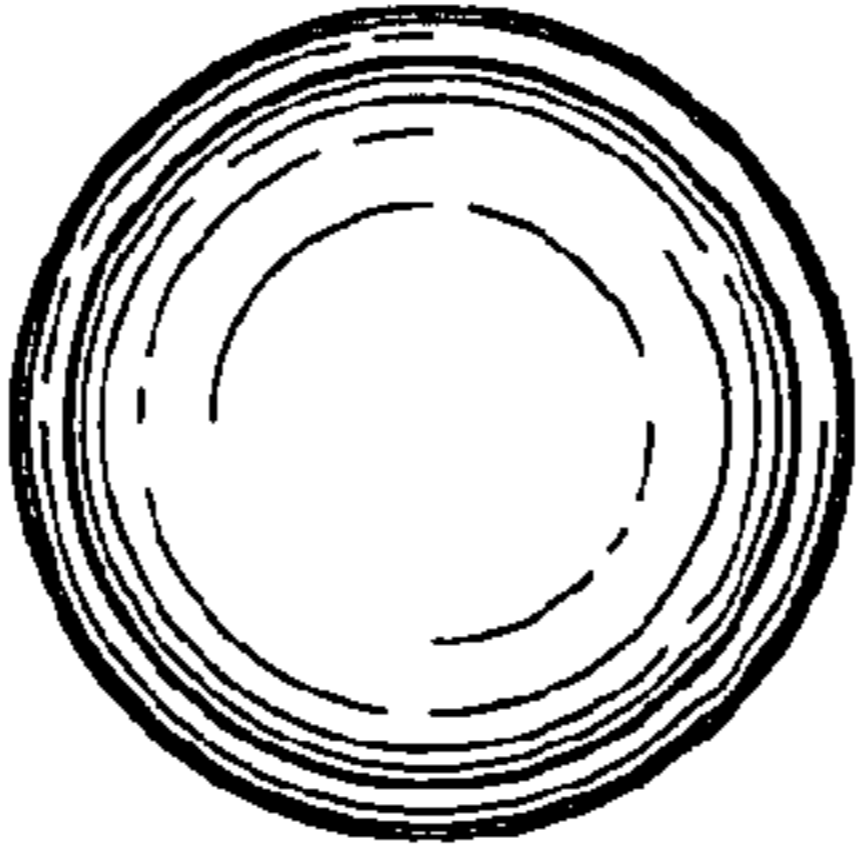


Fig. 2

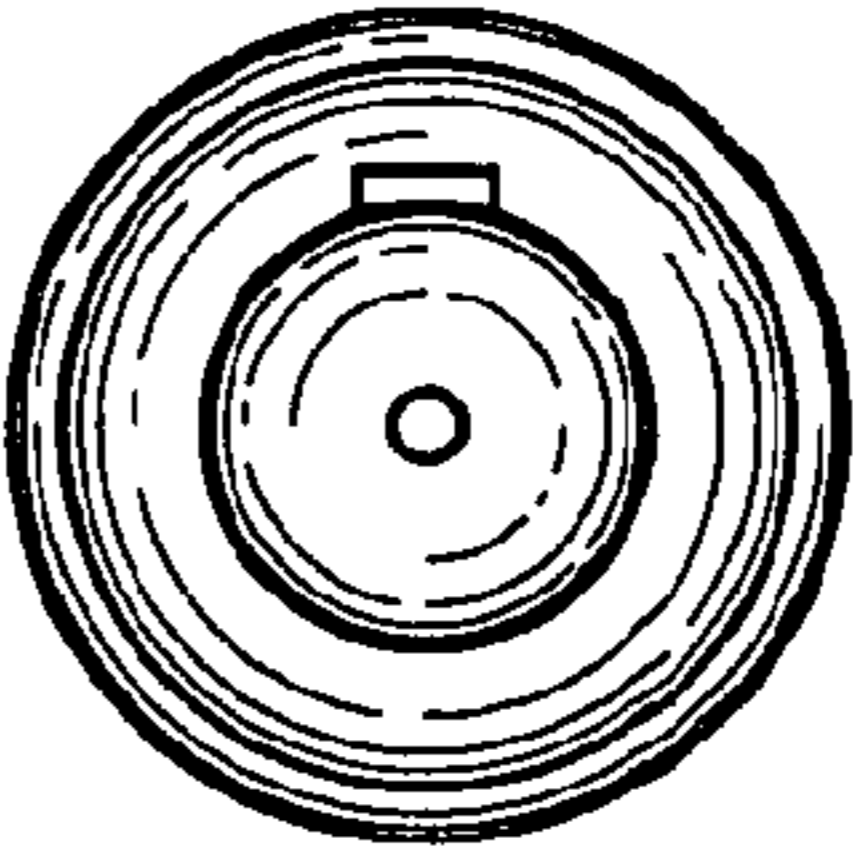


Fig. 3

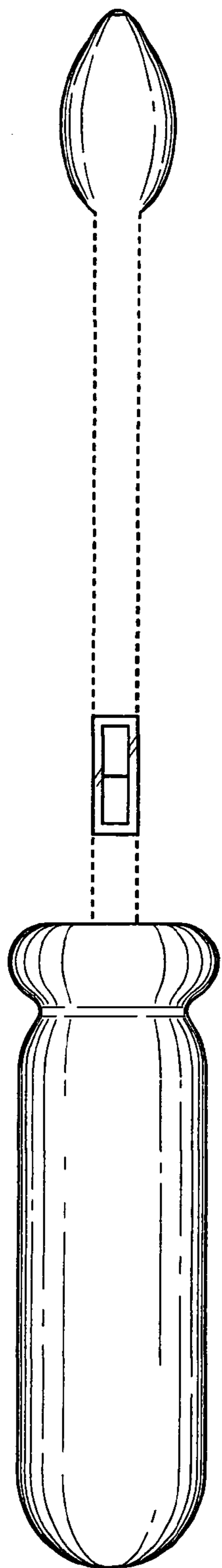


Fig. 4

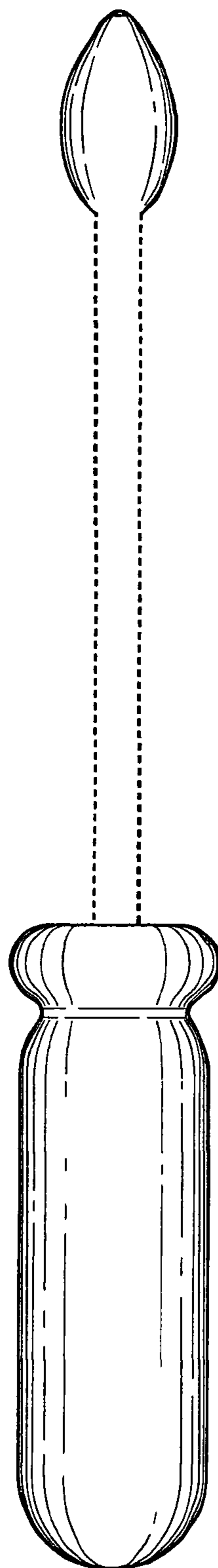


Fig. 5

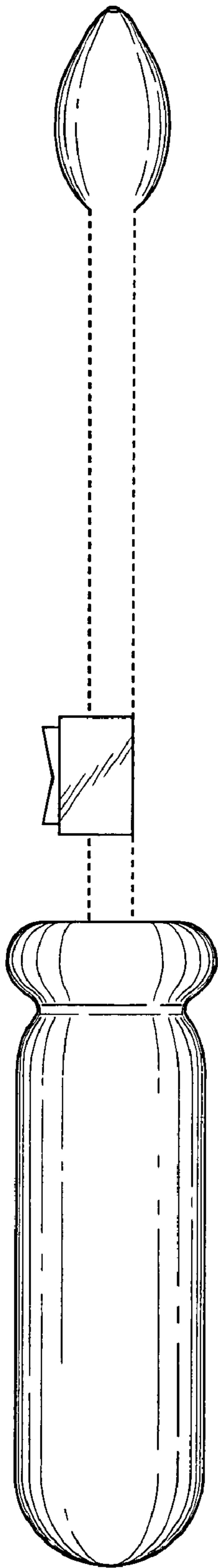


Fig. 6

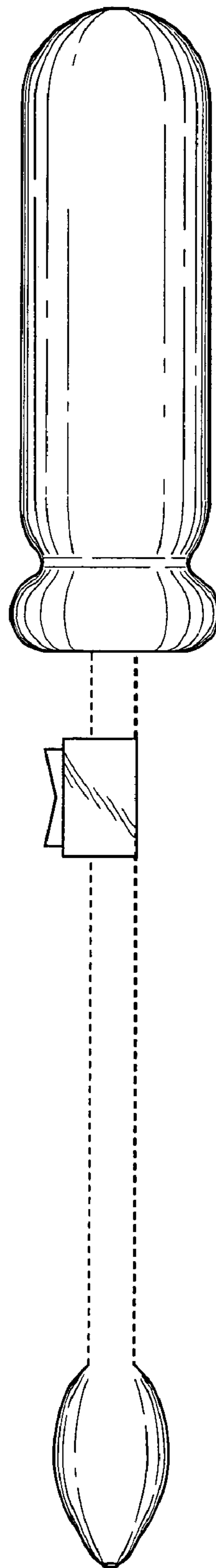


Fig. 7