



US00D613371S

(12) **United States Design Patent**  
**Nies et al.**

(10) **Patent No.:** **US D613,371 S**  
(45) **Date of Patent:** **\*\* Apr. 6, 2010**

(54) **STACKABLE SPRINKLER**

(75) Inventors: **Juergen Nies**, Winchester, VA (US);  
**Vicky Ann Michael**, Winchester, VA  
(US); **Ha Van Duong**, Winchester, VA  
(US); **Richard King Boyle**, Winchester,  
VA (US)

(73) Assignee: **Melnor, Inc.**, Winchester, VA (US)

(\*\*) Term: **14 Years**

(21) Appl. No.: **29/338,504**

(22) Filed: **Jun. 12, 2009**

(51) **LOC (9) Cl.** ..... **23-01**

(52) **U.S. Cl.** ..... **D23/221; D23/216**

(58) **Field of Classification Search** ..... D23/214,  
D23/216, 221; 239/273, 276, 242

See application file for complete search history.

(56) **References Cited**

**U.S. PATENT DOCUMENTS**

D165,756 S	1/1952	Ingham et al.	
D178,782 S	9/1956	Jepson	
D218,970 S	10/1970	Mango et al.	
D218,971 S	10/1970	Mango et al.	
D351,214 S	10/1994	Clivio	
D366,308 S	1/1996	Goodman et al.	
D371,596 S *	7/1996	Simonetti	D23/216
D383,193 S	9/1997	Heren	
D387,127 S	12/1997	Guo	
D422,052 S	3/2000	Heren	
D422,681 S	4/2000	Heren	
D427,281 S	6/2000	Guo	
D440,629 S *	4/2001	Guo	D23/216
D447,537 S	9/2001	Chao	
D447,538 S	9/2001	Chao	
D458,983 S	6/2002	Chen	
D459,436 S *	6/2002	Chao	D23/216
D469,849 S	2/2003	Nien	
D470,218 S *	2/2003	Alkalay et al.	D23/216
6,520,430 B2	2/2003	Chao	
D479,574 S	9/2003	Nien	

D500,122 S *	12/2004	Schapper	D23/221
D540,429 S	4/2007	Barmore	
D541,376 S	4/2007	Barmore	
D554,736 S	11/2007	Cheng	
D554,737 S *	11/2007	Lo	D23/221
D554,739 S *	11/2007	Lo	D23/221
D554,740 S	11/2007	Lo	
D555,228 S	11/2007	Cheng	
D559,352 S *	1/2008	Lo	D23/221
D597,628 S *	8/2009	Goetz	D23/221
2008/0054103 A1	3/2008	Nies et al.	

**OTHER PUBLICATIONS**

[melnor.com/sprinklers-oscillating.php](http://melnor.com/sprinklers-oscillating.php), Online Catalog of Oscillating Sprinklers, 2008, pp. 1-2.

\* cited by examiner

*Primary Examiner*—Robin V Webster

(74) *Attorney, Agent, or Firm*—Westerman, Hattori, Daniels & Adrian, LLP

(57) **CLAIM**

The ornamental design for a stackable sprinkler, as shown and described.

**DESCRIPTION**

FIG. 1 is a left front perspective view of a stackable sprinkler showing our new design;

FIG. 2 is a bottom, left, front perspective view thereof;

FIG. 3 is a right-side, elevational view thereof;

FIG. 4 is a left-side, elevational view thereof;

FIG. 5 is a top, plan view thereof;

FIG. 6 is a bottom, plan view thereof;

FIG. 7 is a rear, elevational view thereof;

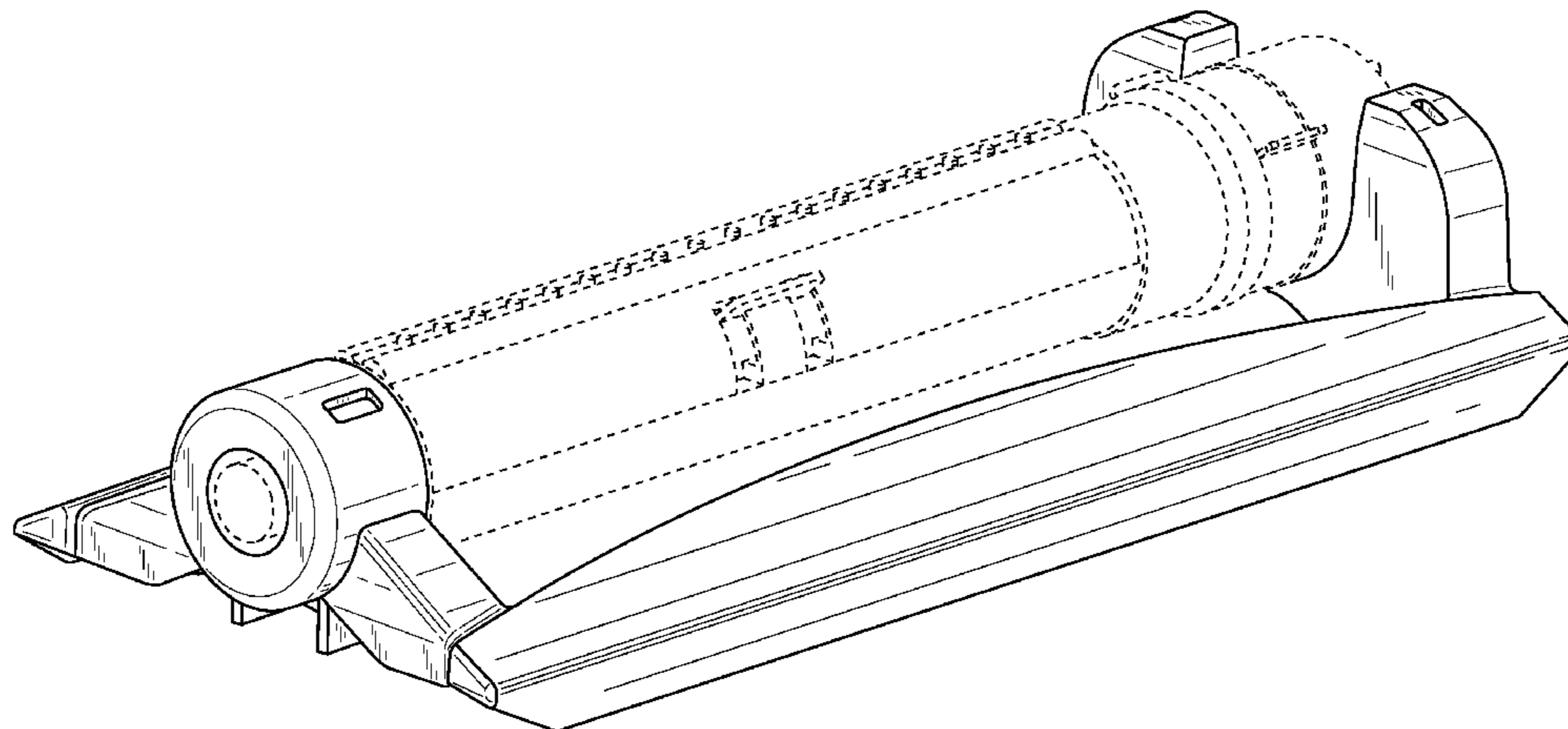
FIG. 8 is a front, elevational view thereof.

FIG. 9 is a rear, cross-sectional view thereof; and,

FIG. 10 is a front, cross-sectional view thereof.

The broken lines in the drawings illustrate environmental structure and form no part of the claimed design.

**1 Claim, 10 Drawing Sheets**



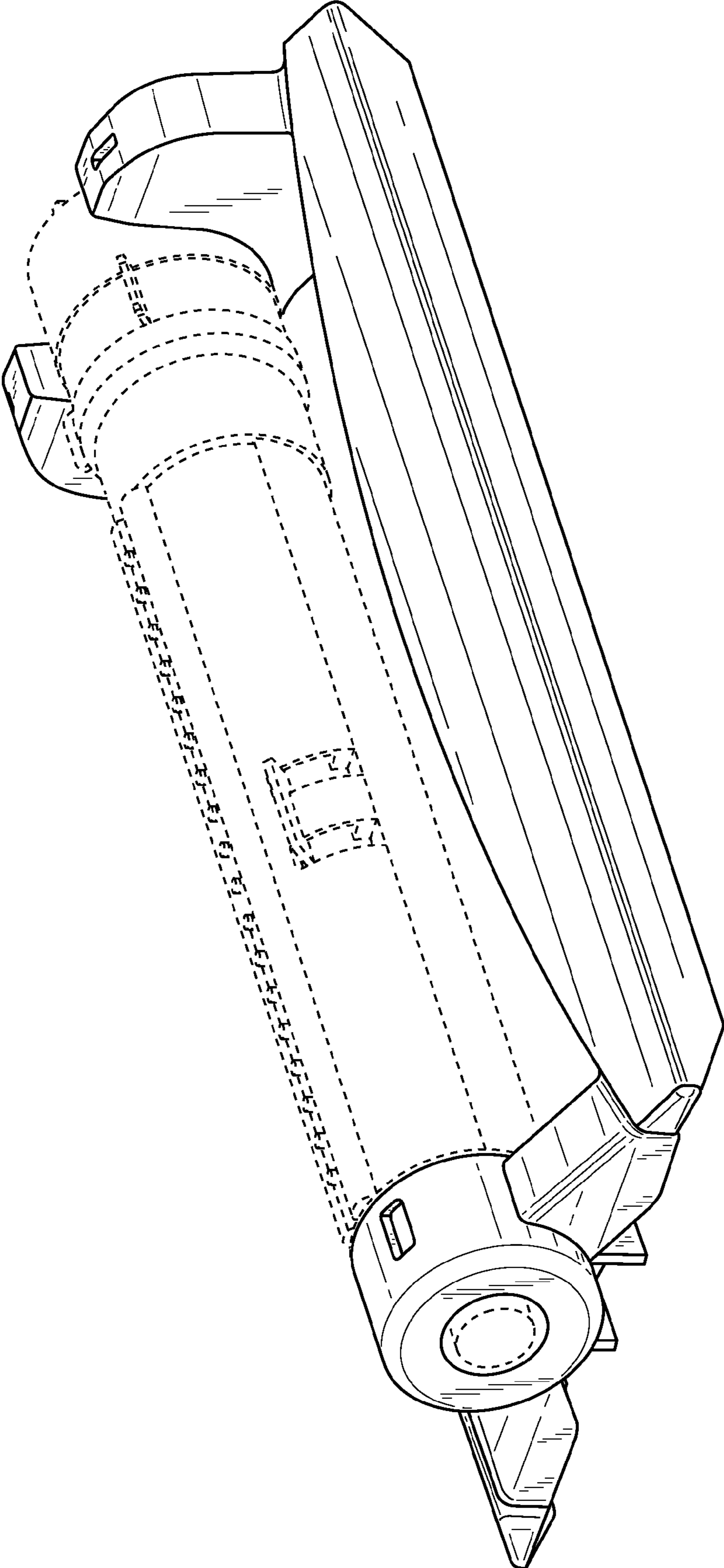


FIG.1

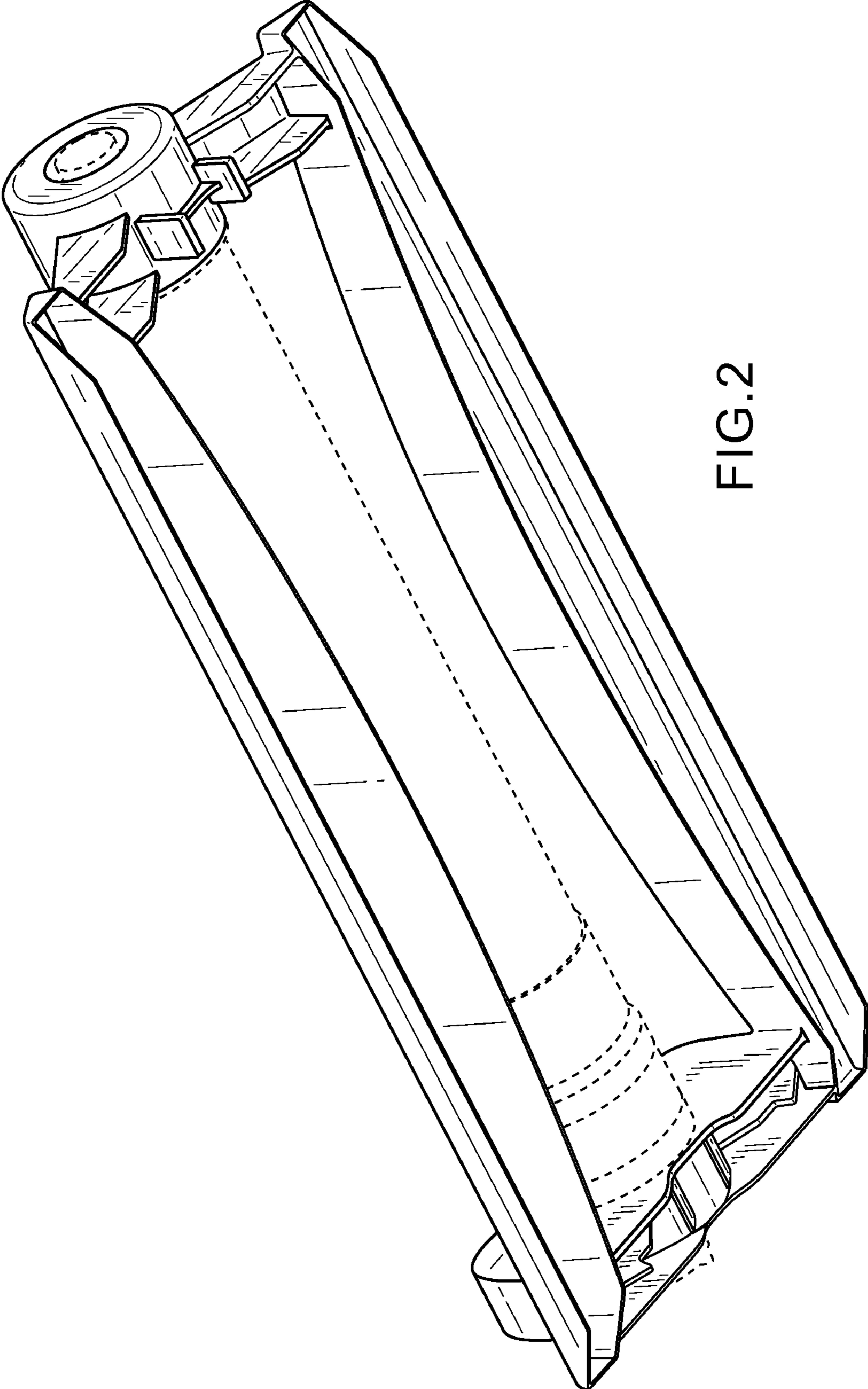
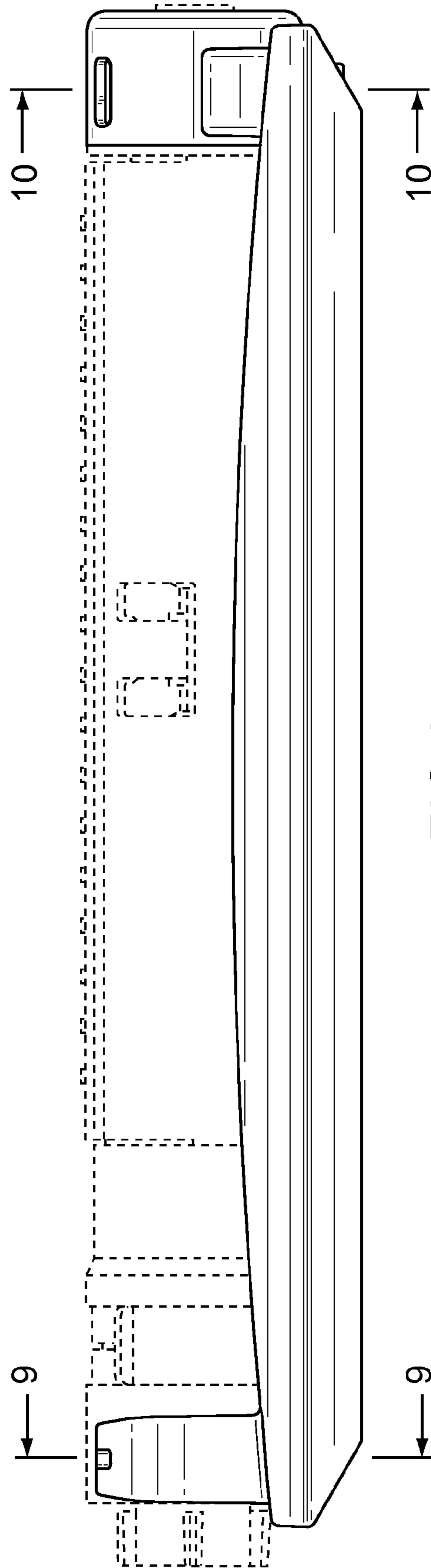


FIG.2



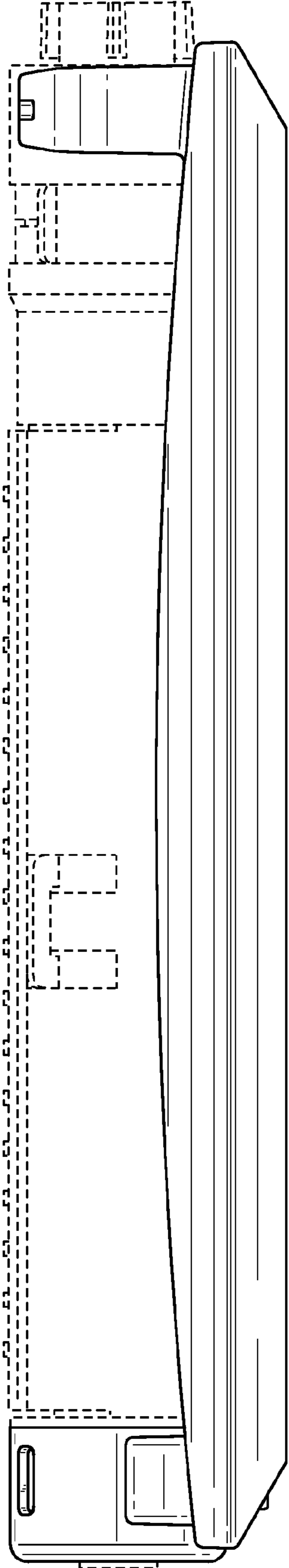


FIG.4

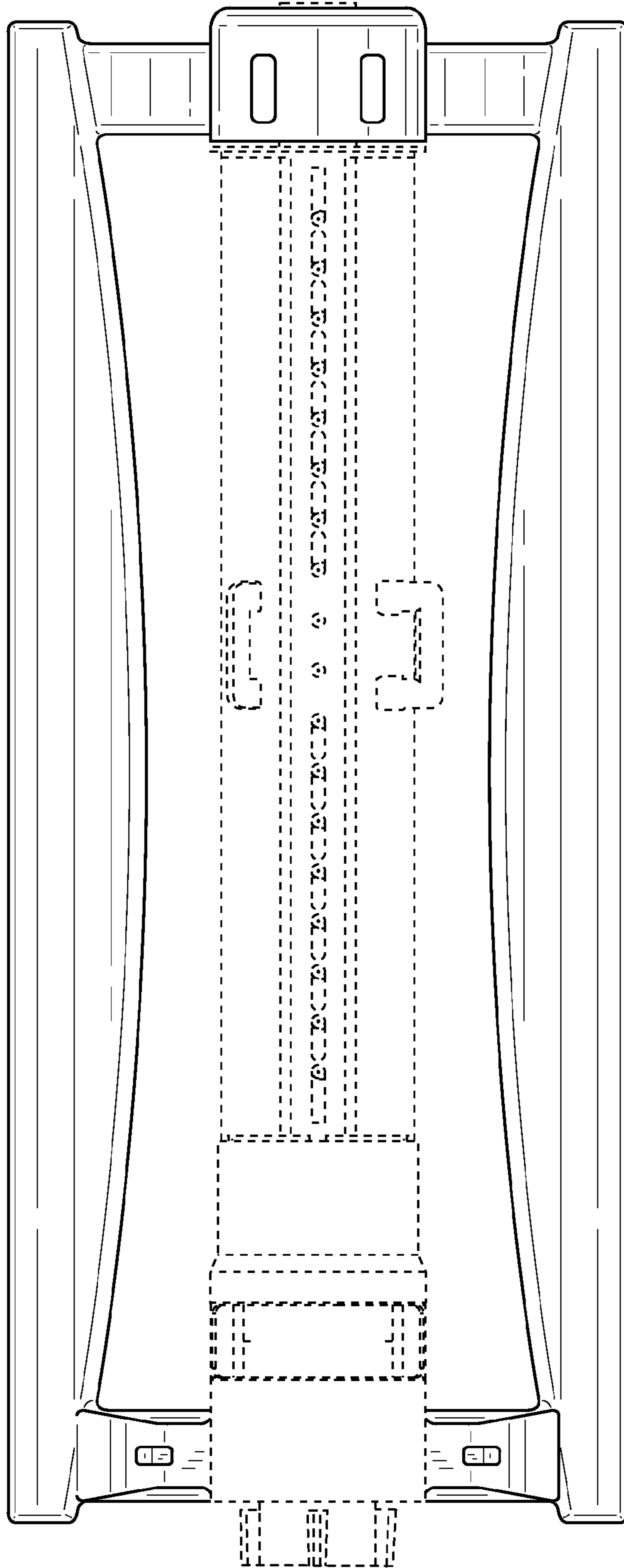


FIG. 5

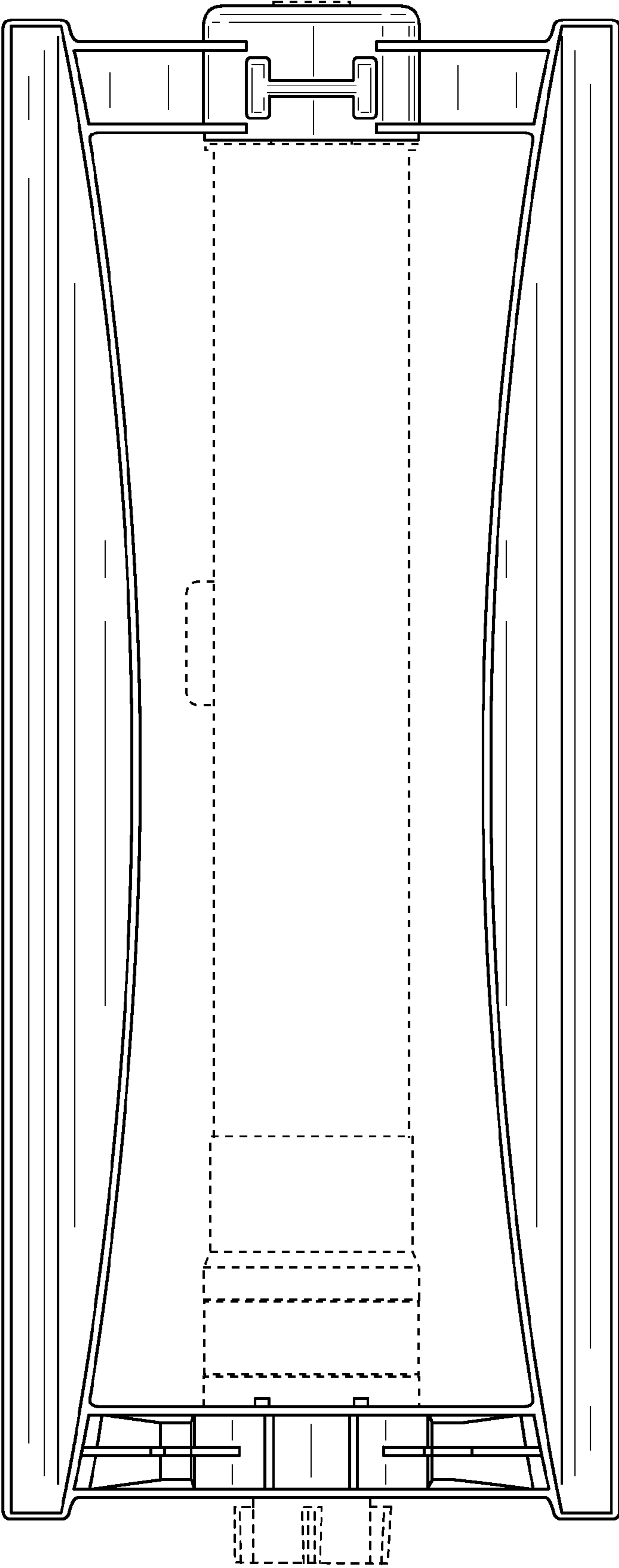


FIG.6

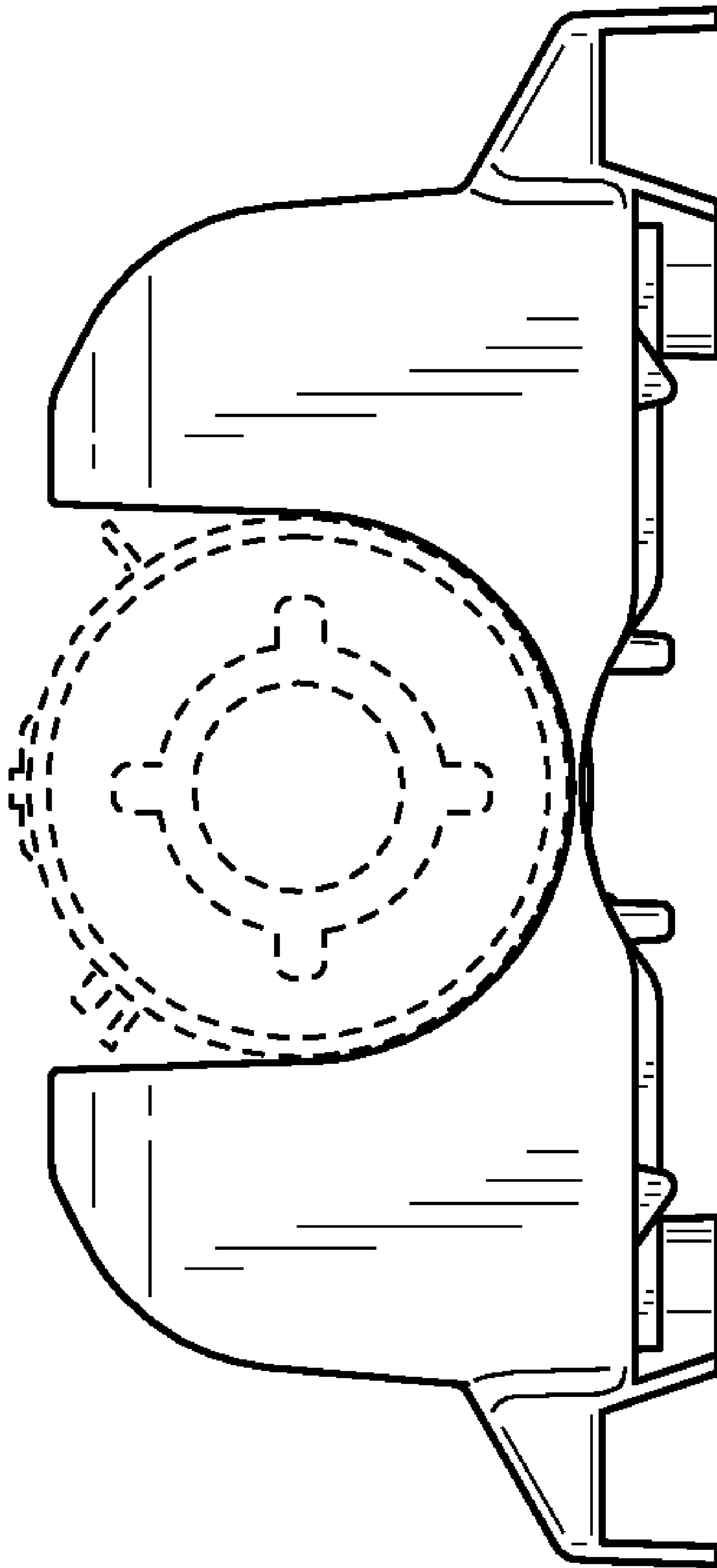


FIG. 7



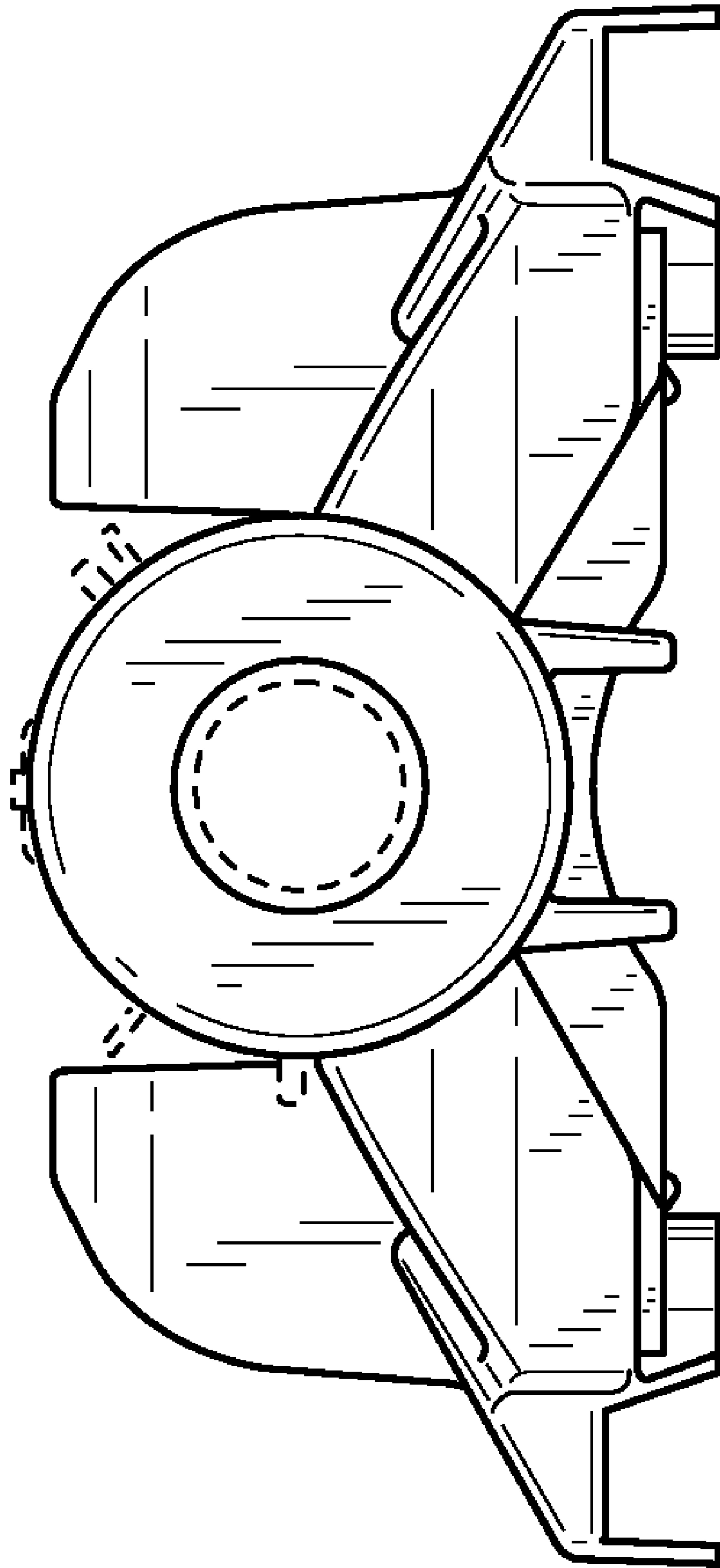


FIG. 8

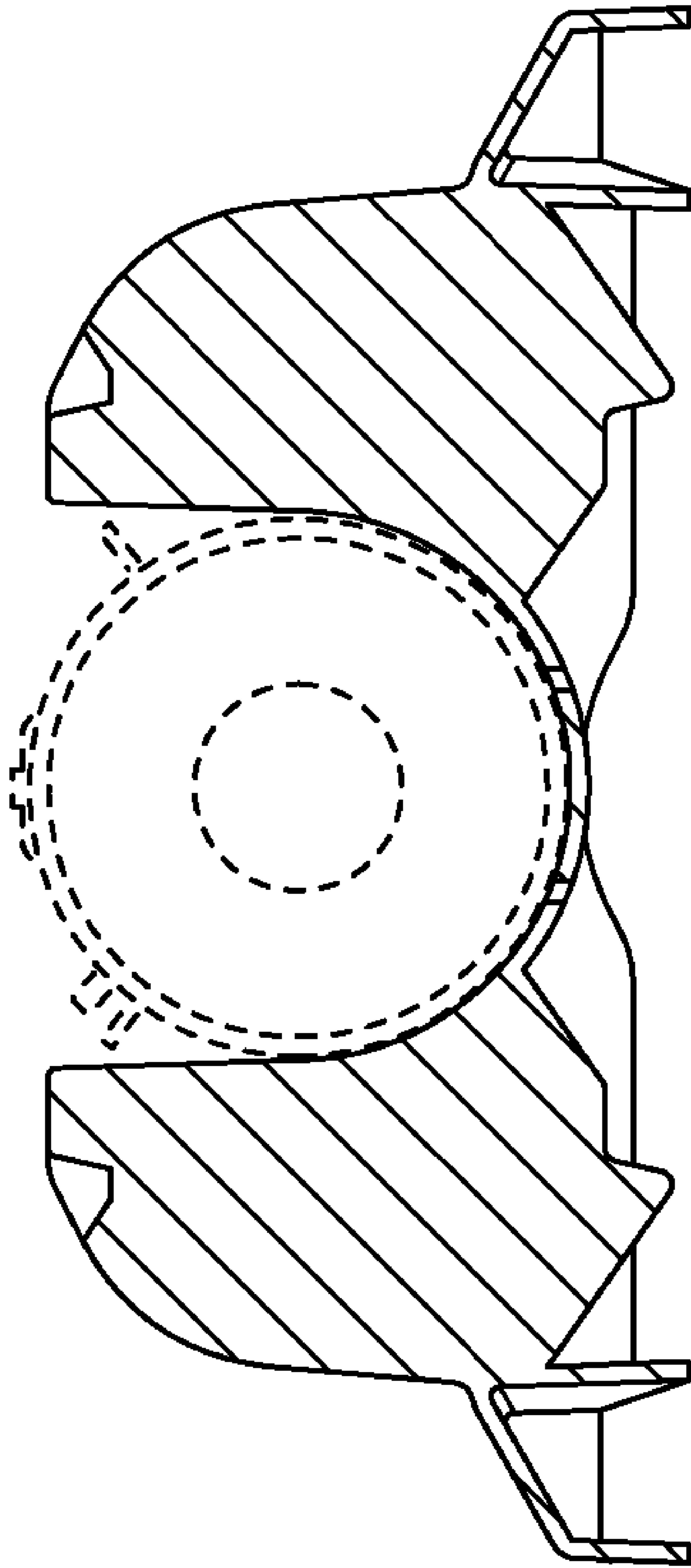


FIG. 9

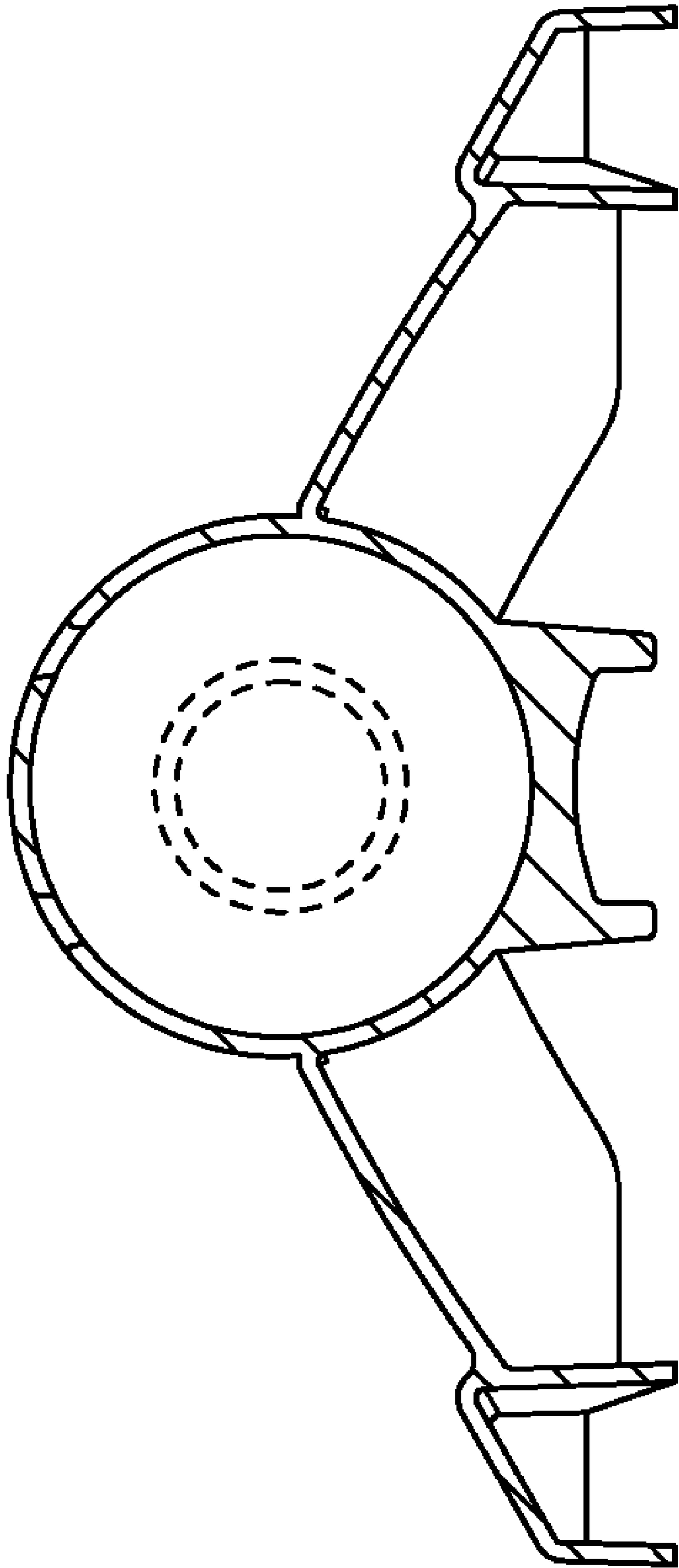


FIG. 10