



US00D613370S

(12) **United States Design Patent**
Allard et al.

(10) **Patent No.:** **US D613,370 S**

(45) **Date of Patent:** **** Apr. 6, 2010**

(54) **SHOWERHEAD**

(75) Inventors: **Jochen Allard**, Menden (DE); **Paul Flowers**, Duesseldorf (DE)

(73) Assignee: **Grohe AG**, Hemer (DE)

(**) Term: **14 Years**

(21) Appl. No.: **29/338,747**

(22) Filed: **Jun. 17, 2009**

(30) **Foreign Application Priority Data**

Dec. 18, 2008 (EM) 001058473-0003

(51) **LOC (9) Cl.** **23-01**

(52) **U.S. Cl.** **D23/213; D23/229**

(58) **Field of Classification Search** D23/213,
D23/229-230, 223; 239/461-462, 282-283;
4/615

See application file for complete search history.

(56) **References Cited**

U.S. PATENT DOCUMENTS

D461,525 S * 8/2002 Lai D23/229
D493,208 S * 7/2004 Lin D23/213
D564,070 S * 3/2008 Tsai D23/229
D587,339 S * 2/2009 Schoenherr et al. D23/213

* cited by examiner

Primary Examiner—Robin V Webster

(74) *Attorney, Agent, or Firm*—Muncy, Geissler, Olds & Lowe, PLLC

(57) **CLAIM**

The ornamental design of a showerhead, as shown and described.

DESCRIPTION

FIG. 1 is a perspective view of a showerhead according to a first embodiment of the present invention.

FIG. 2 is a bottom plan view of the showerhead of FIG. 1.

FIG. 3 is a left side elevational view of the showerhead of FIG. 1, the front, rear and right side elevational views of the showerhead being identical thereto.

FIG. 4 is a top plan view of the showerhead of FIG. 1.

FIG. 5 is a perspective view of a showerhead according to a second embodiment of the present invention.

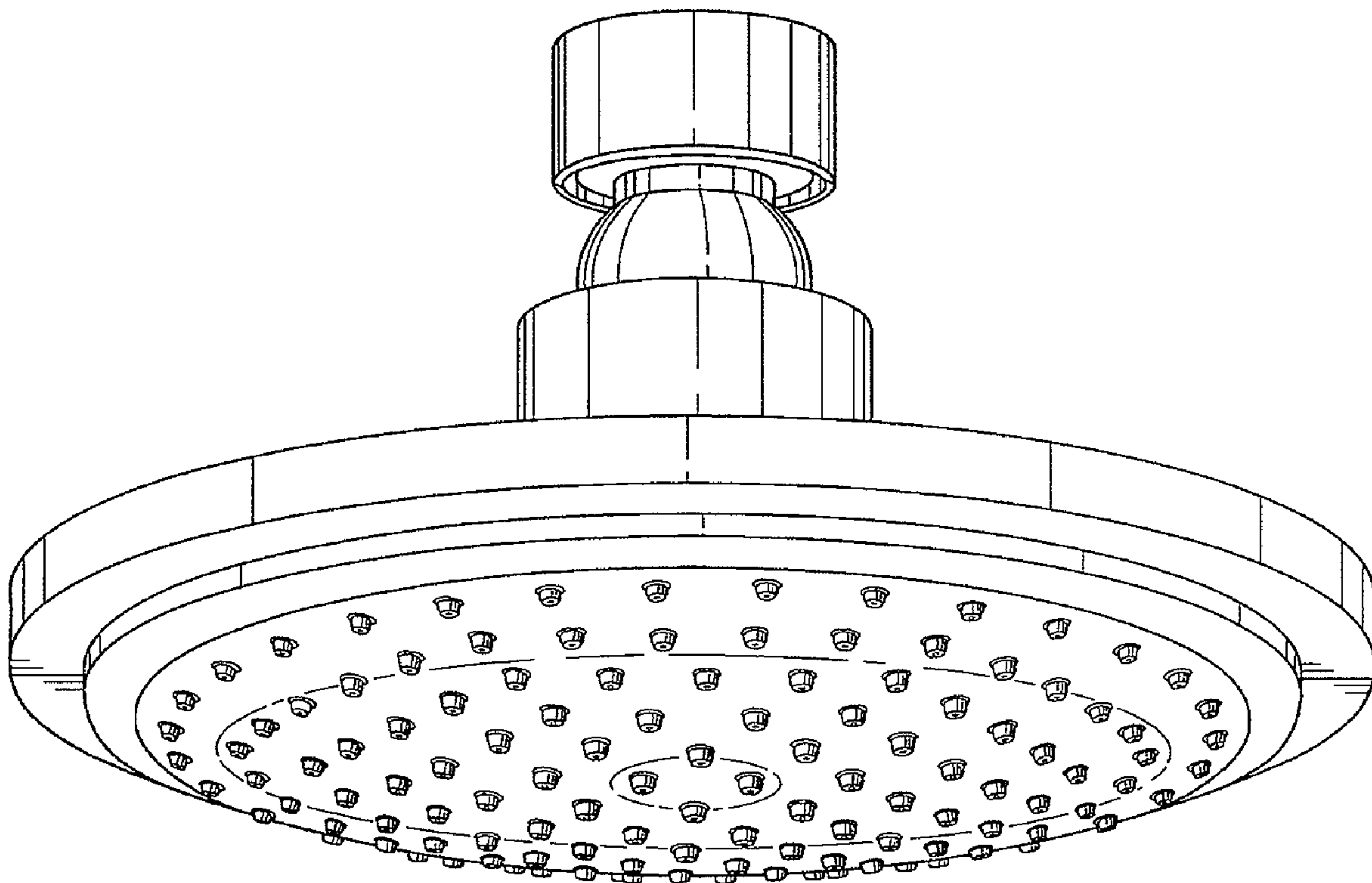
FIG. 6 is a bottom plan view of the showerhead of FIG. 5.

FIG. 7 is a left side elevational view of the showerhead of FIG. 5, the front, rear and right side elevational views of the showerhead being identical thereto; and,

FIG. 8 is a top plan view of the showerhead of FIG. 5.

The dashed lines illustrate environment that does not form a part of the present invention, and no claim is made to the material illustrated with dashed lines.

1 Claim, 8 Drawing Sheets



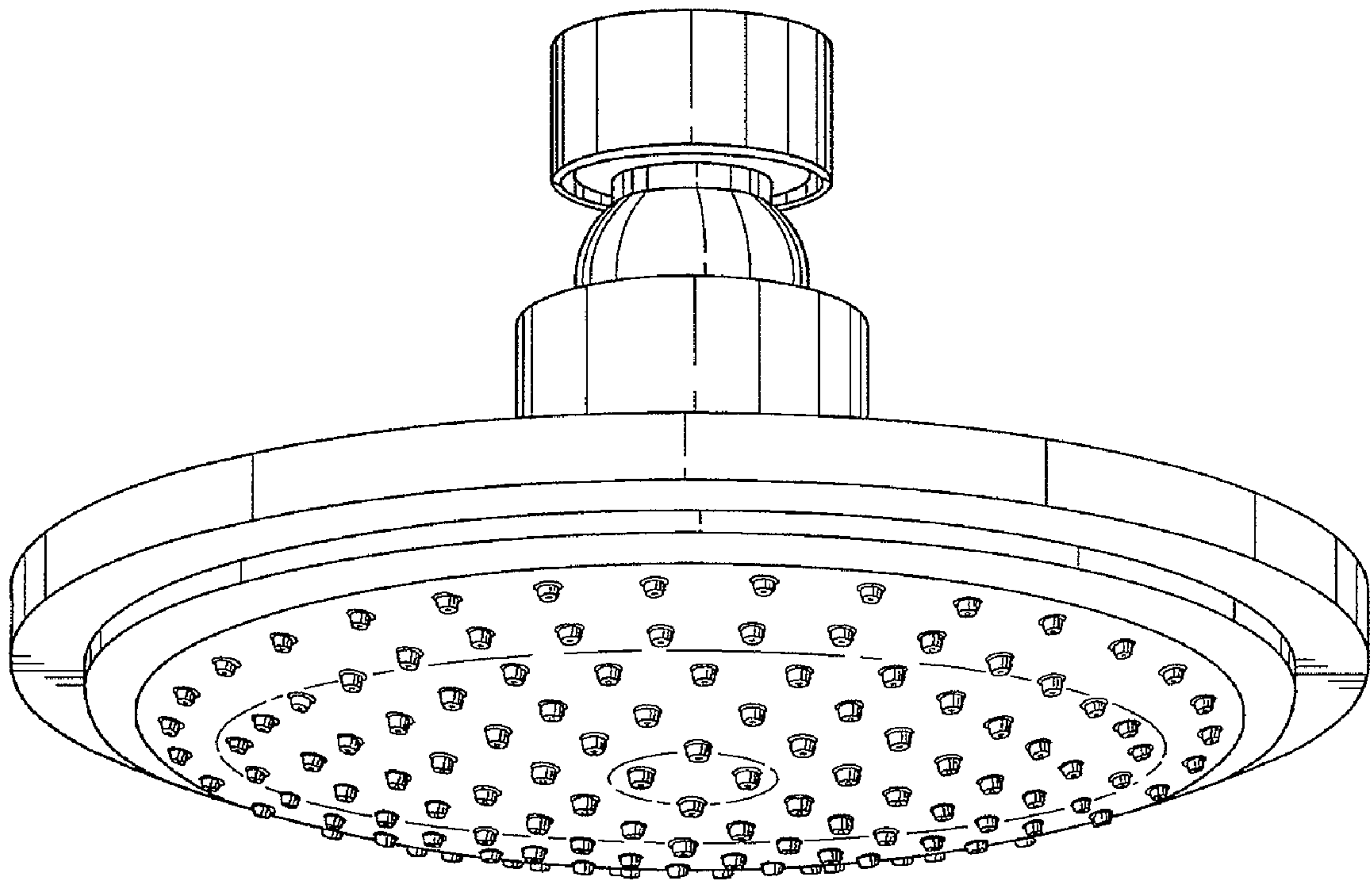


FIG. 1

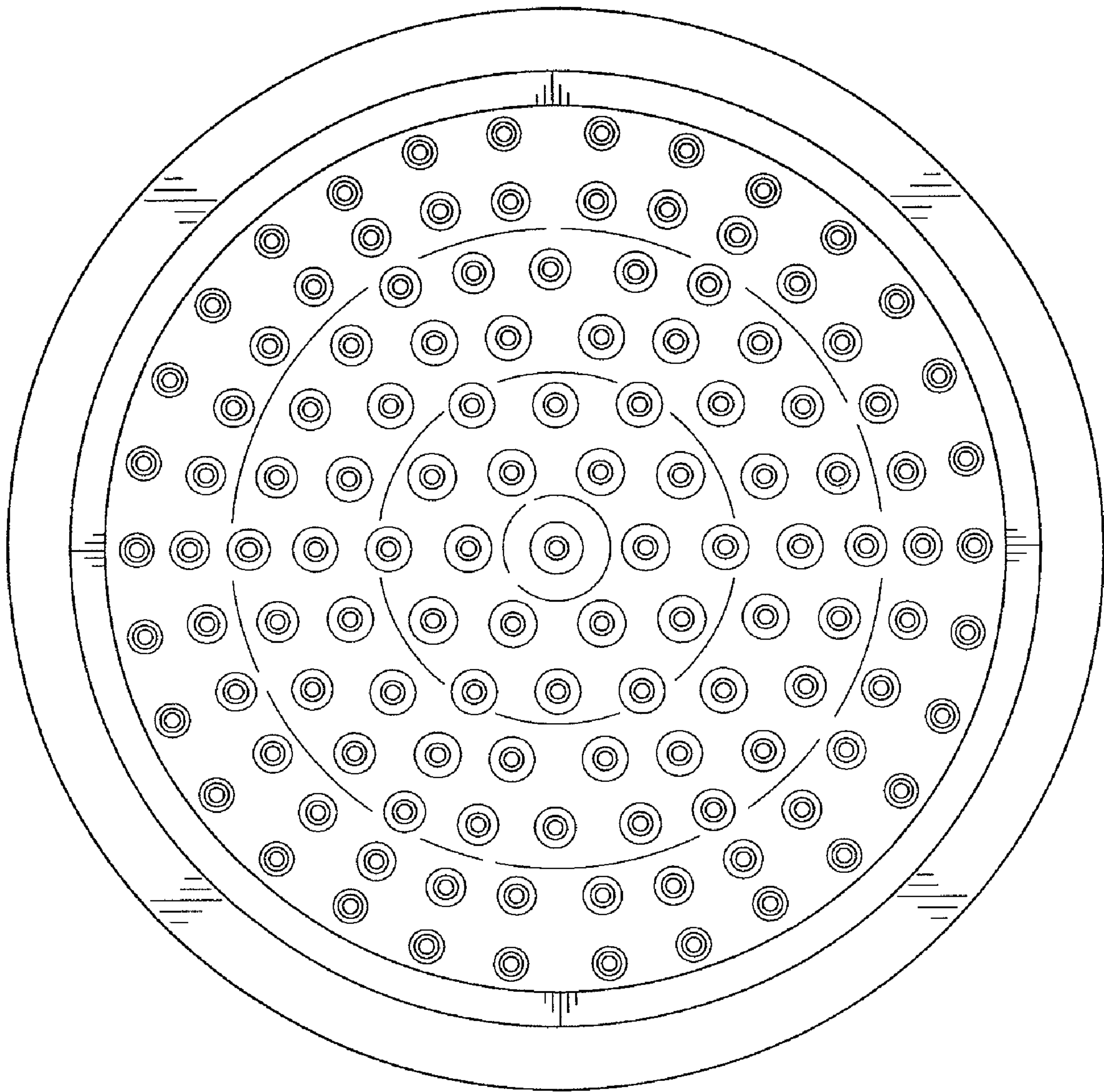


FIG. 2

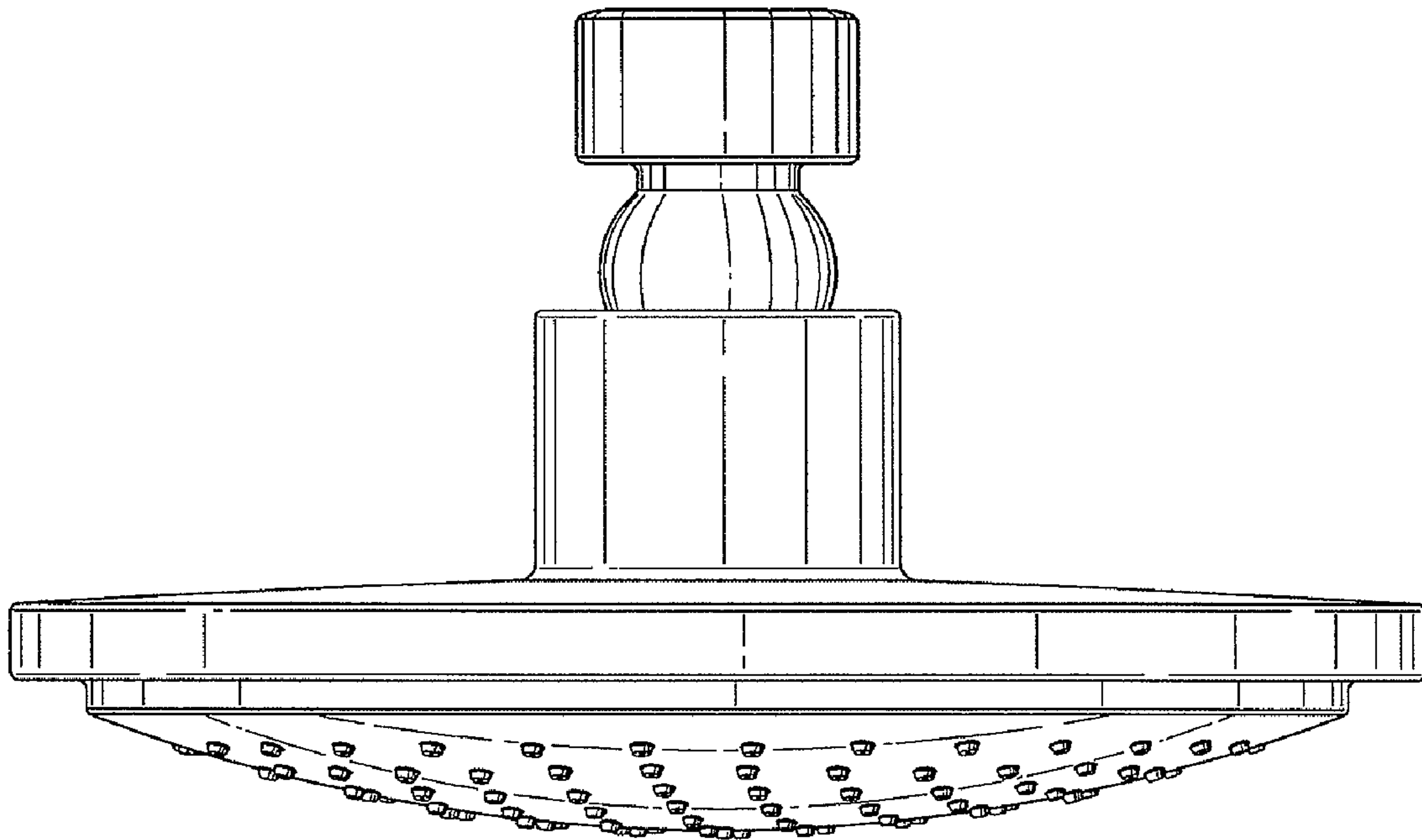


FIG. 3

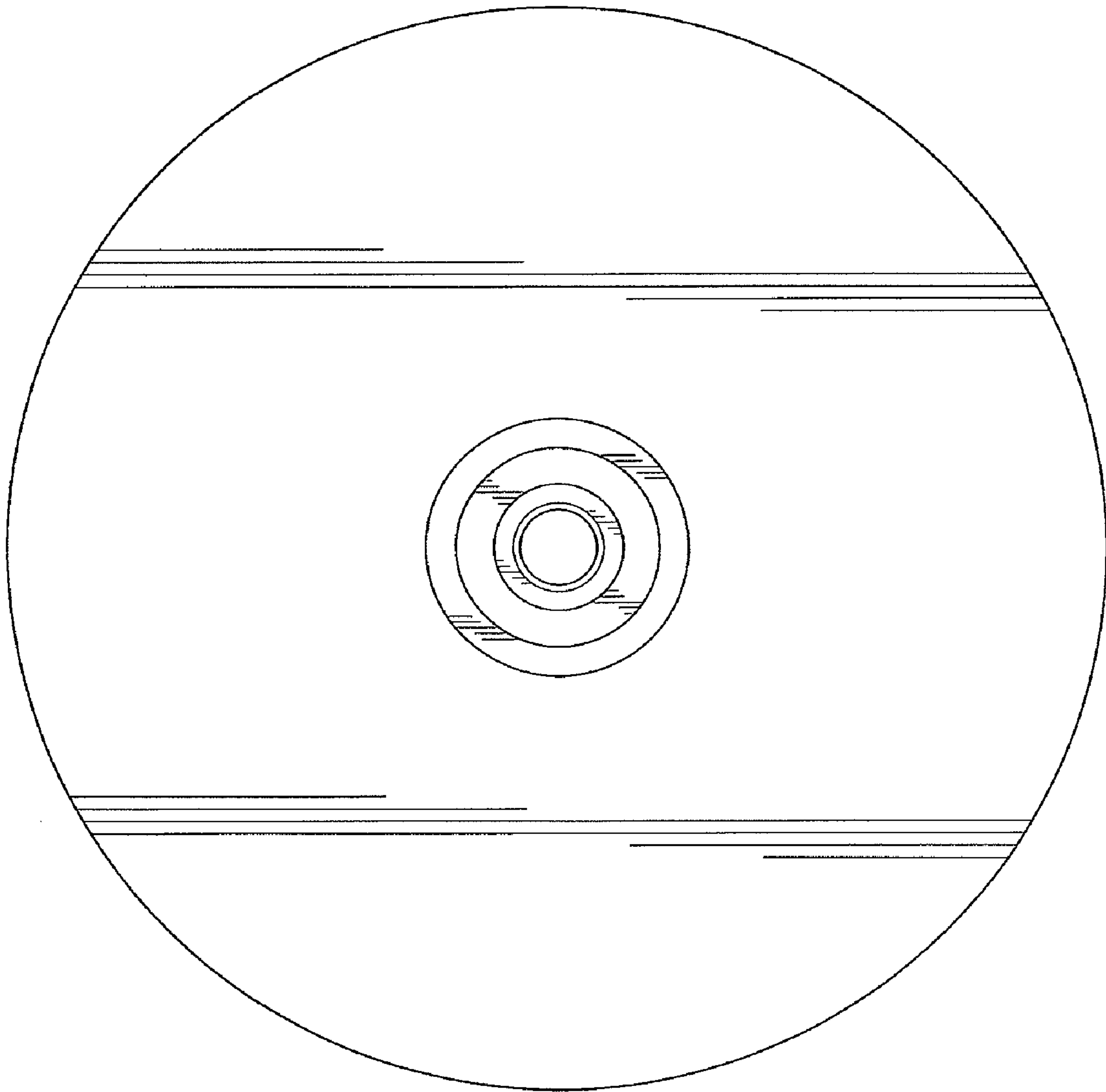


FIG. 4

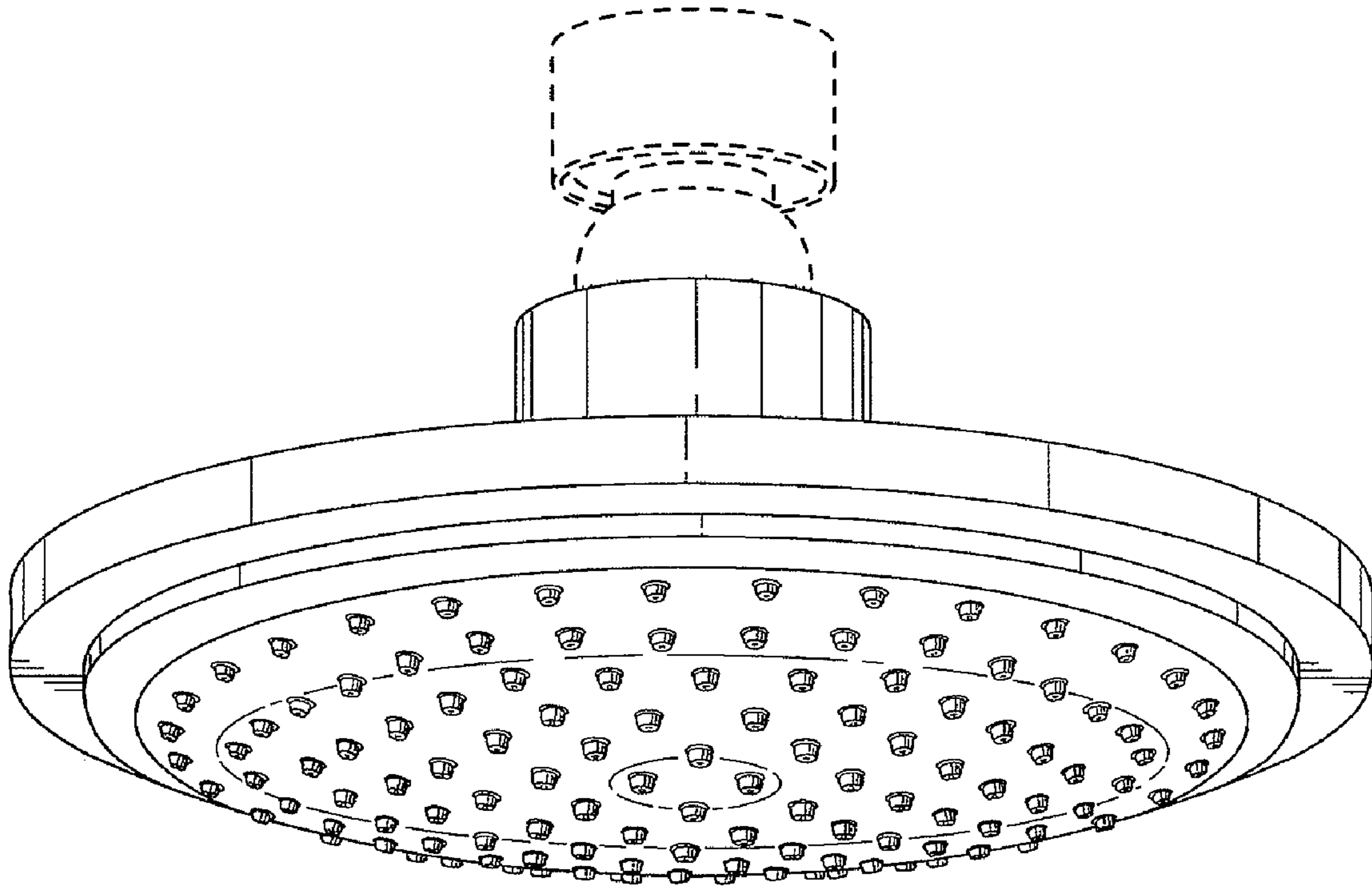


FIG. 5

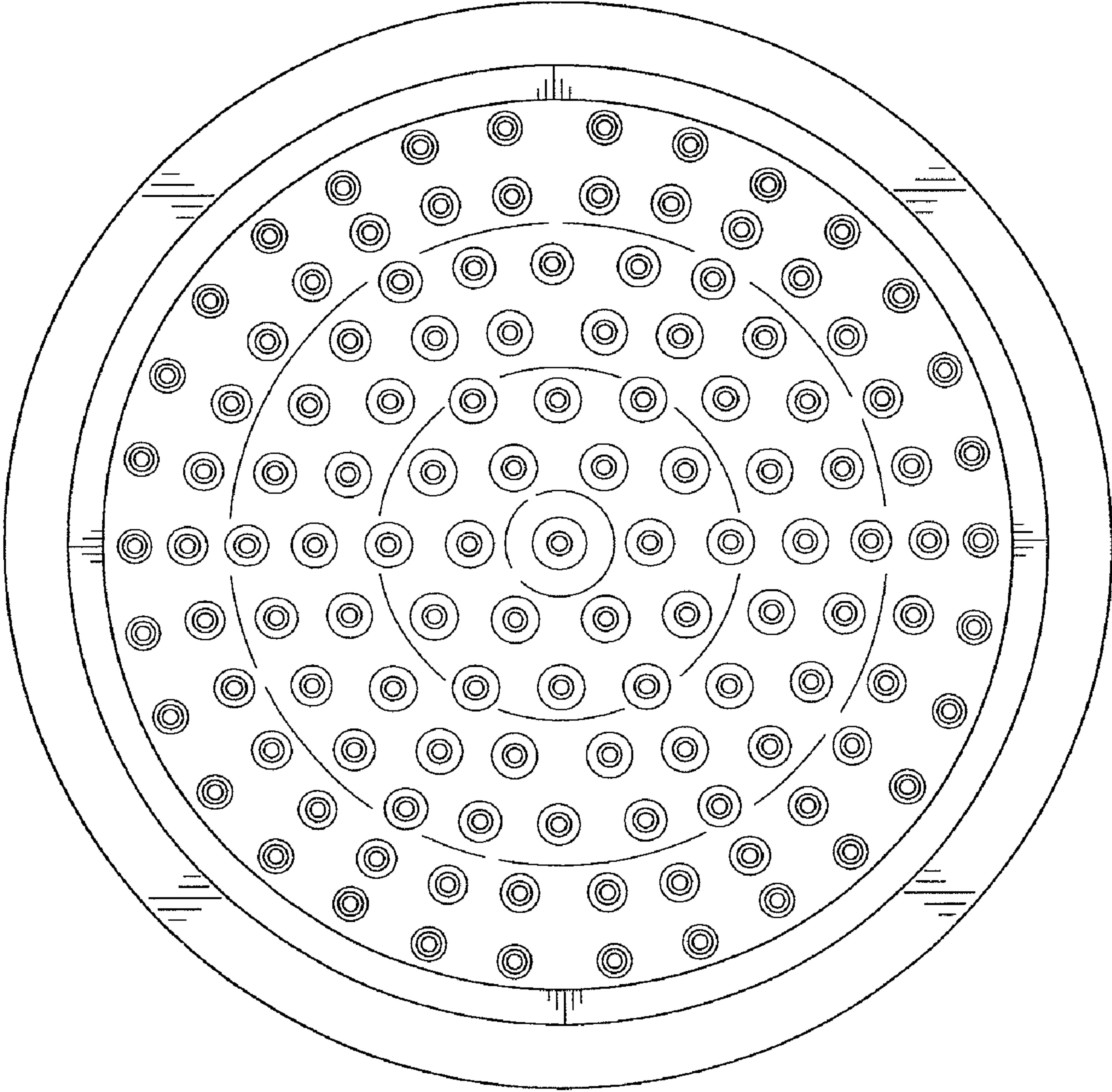


FIG. 6

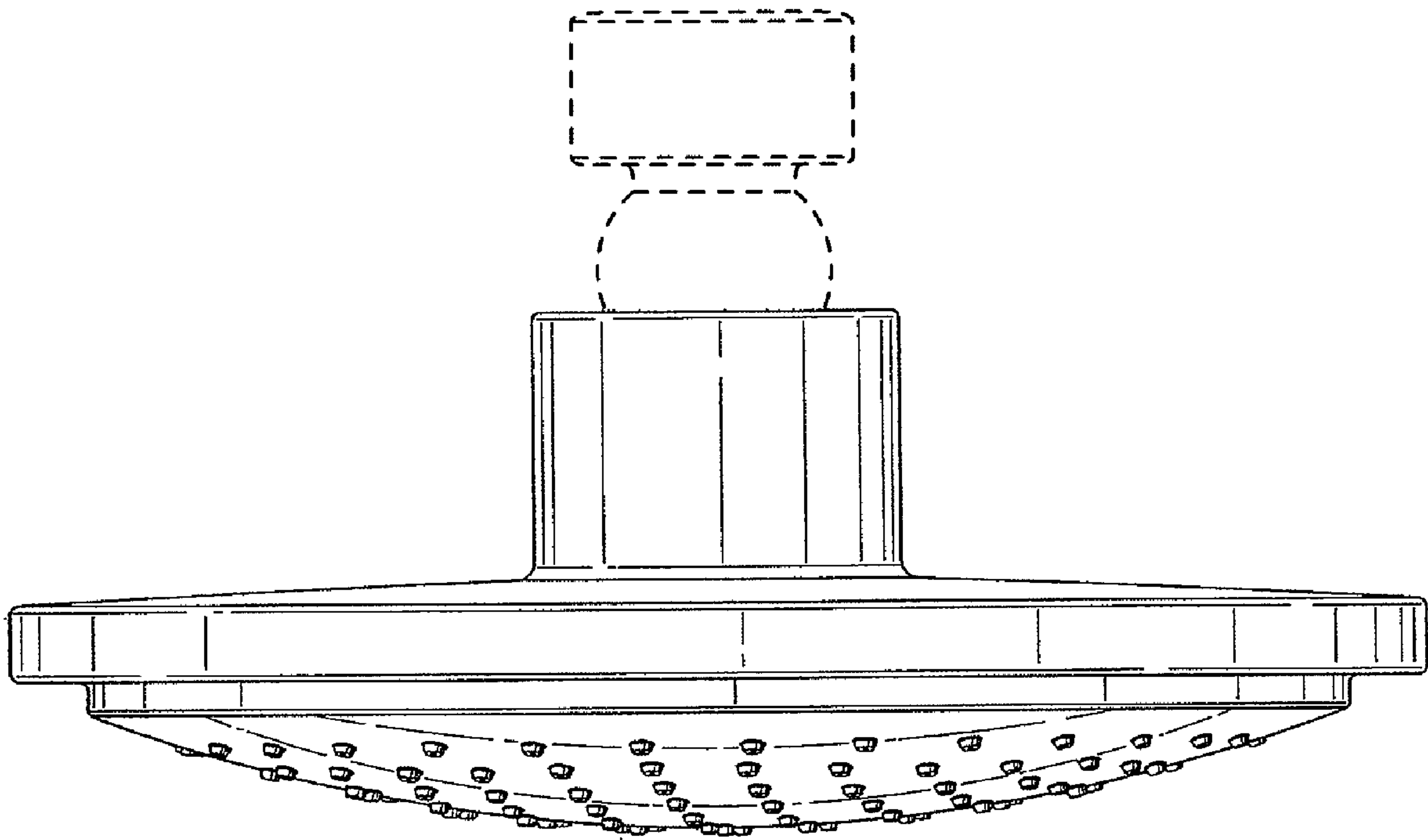


FIG. 7

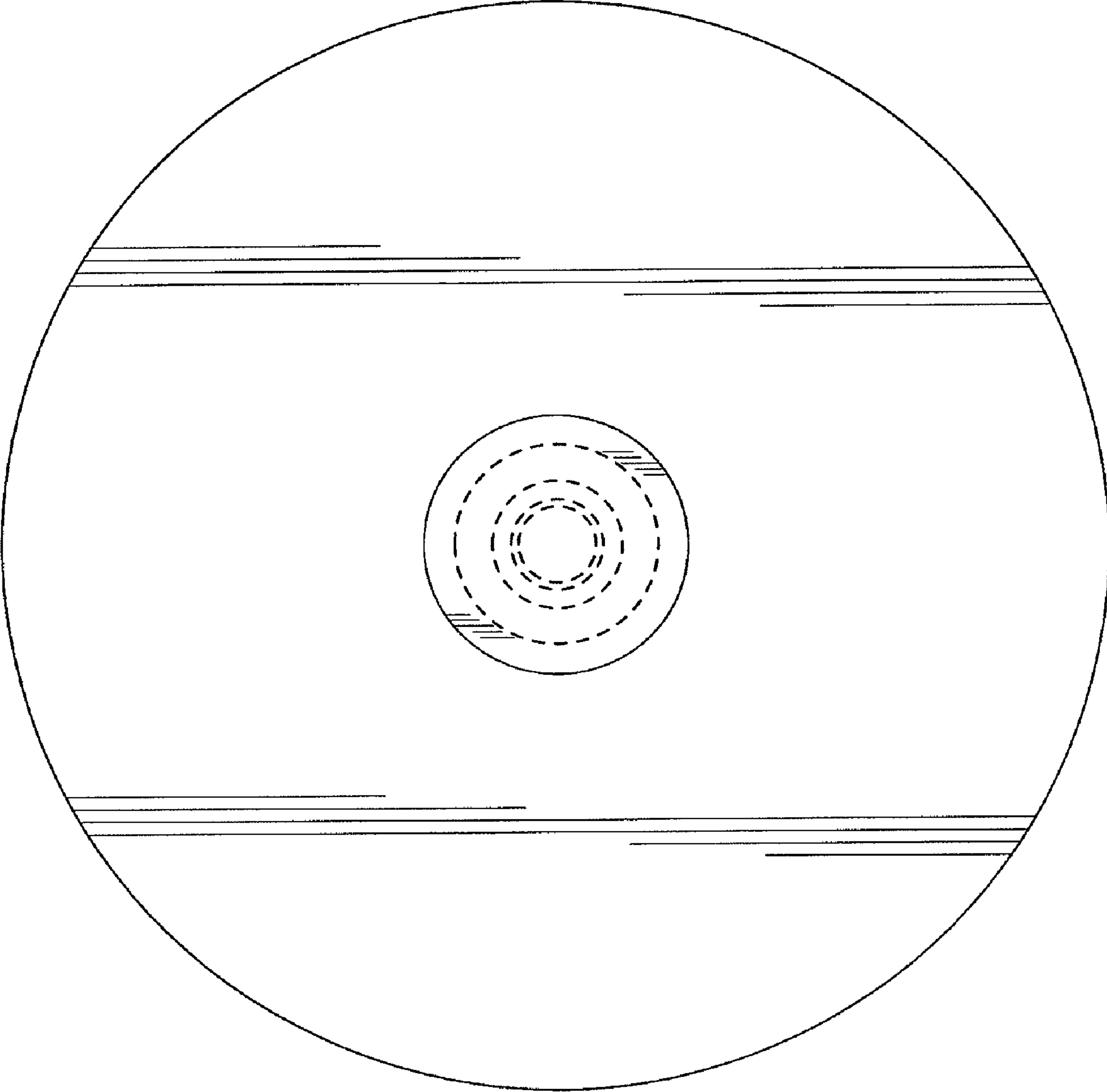


FIG. 8