



US00D613369S

(12) **United States Design Patent**
Enever et al.

(10) **Patent No.:** **US D613,369 S**
(45) **Date of Patent:** **** Apr. 6, 2010**

(54) **DISPENSER**

(75) Inventors: **Simon Enever**, Bristol (GB);
Christopher Leonard Padain,
Hoboken, NJ (US); **Thomas Edward**
Walker, Bristol (GB); **Craig Ian**
Wightman, Bristol (GB)

(73) Assignee: **Reckitt Benckiser Inc.**, Parsippany, NJ
(US)

(**) Term: **14 Years**

(21) Appl. No.: **29/345,341**

(22) Filed: **Oct. 14, 2009**

Related U.S. Application Data

(62) Division of application No. 29/324,759, filed on Sep.
19, 2008.

(51) **LOC (9) Cl.** **23-01**

(52) **U.S. Cl.** **D23/208**

(58) **Field of Classification Search** D23/207,
D23/208; 4/223, 225.1, 227.1, 231
See application file for complete search history.

(56) **References Cited**

U.S. PATENT DOCUMENTS

D92,428 S * 6/1934 Saeks D23/208
D273,607 S * 4/1984 Joyaux et al. D23/208
D476,056 S * 6/2003 Woolley et al. D23/208
6,591,431 B2 * 7/2003 Hautmann et al. 4/231
6,895,605 B2 * 5/2005 Pagani 4/231

D508,549 S * 8/2005 Keramidas D23/208
6,976,277 B2 * 12/2005 Keramidas 4/231
D540,907 S * 4/2007 Liu D23/208
D573,687 S * 7/2008 Hill D23/208

* cited by examiner

Primary Examiner—Robin V Webster

(74) *Attorney, Agent, or Firm*—Norris, McLaughlin &
Marcus

(57) **CLAIM**

The ornamental design for a dispenser, as shown and
described.

DESCRIPTION

FIG. 1 is a perspective view of the front and left side of a
dispenser;

FIG. 2 is an elevation view of the front of the dispenser;

FIG. 3 is an elevation view of the rear of the dispenser;

FIG. 4 is a plan view of the top of the dispenser;

FIG. 5 is a plan view of the bottom of the dispenser;

FIG. 6 is an elevation view of the right side of the dispenser;

FIG. 7 is an elevation view of the left side of the dispenser;
and,

FIG. 8 is a perspective view of the front and right side of the
dispenser in its environment.

The broken line showing in FIGS. 1–8 are included for the
purpose of illustration, and form no part of the claimed
design.

1 Claim, 5 Drawing Sheets

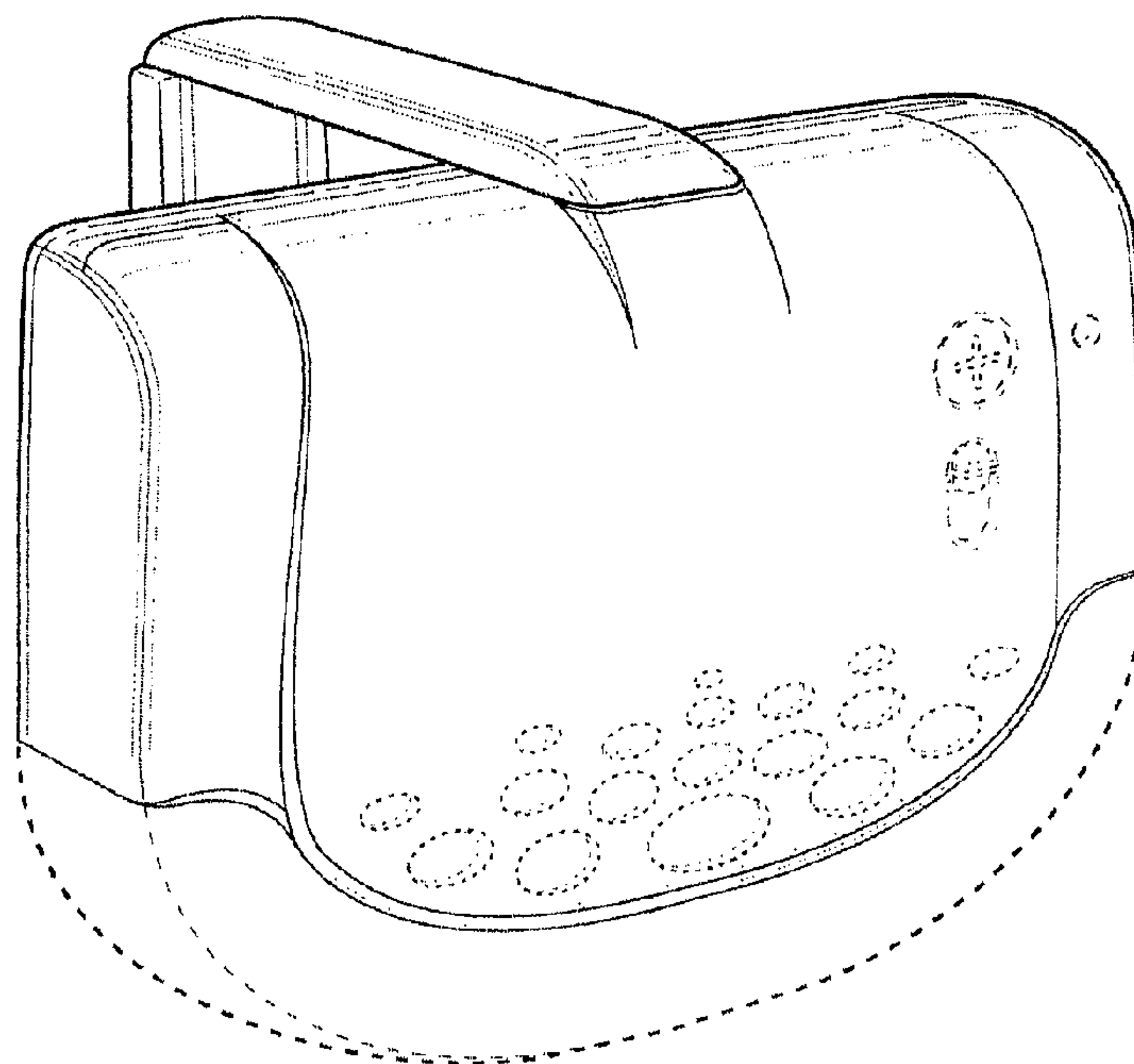


FIG. 1

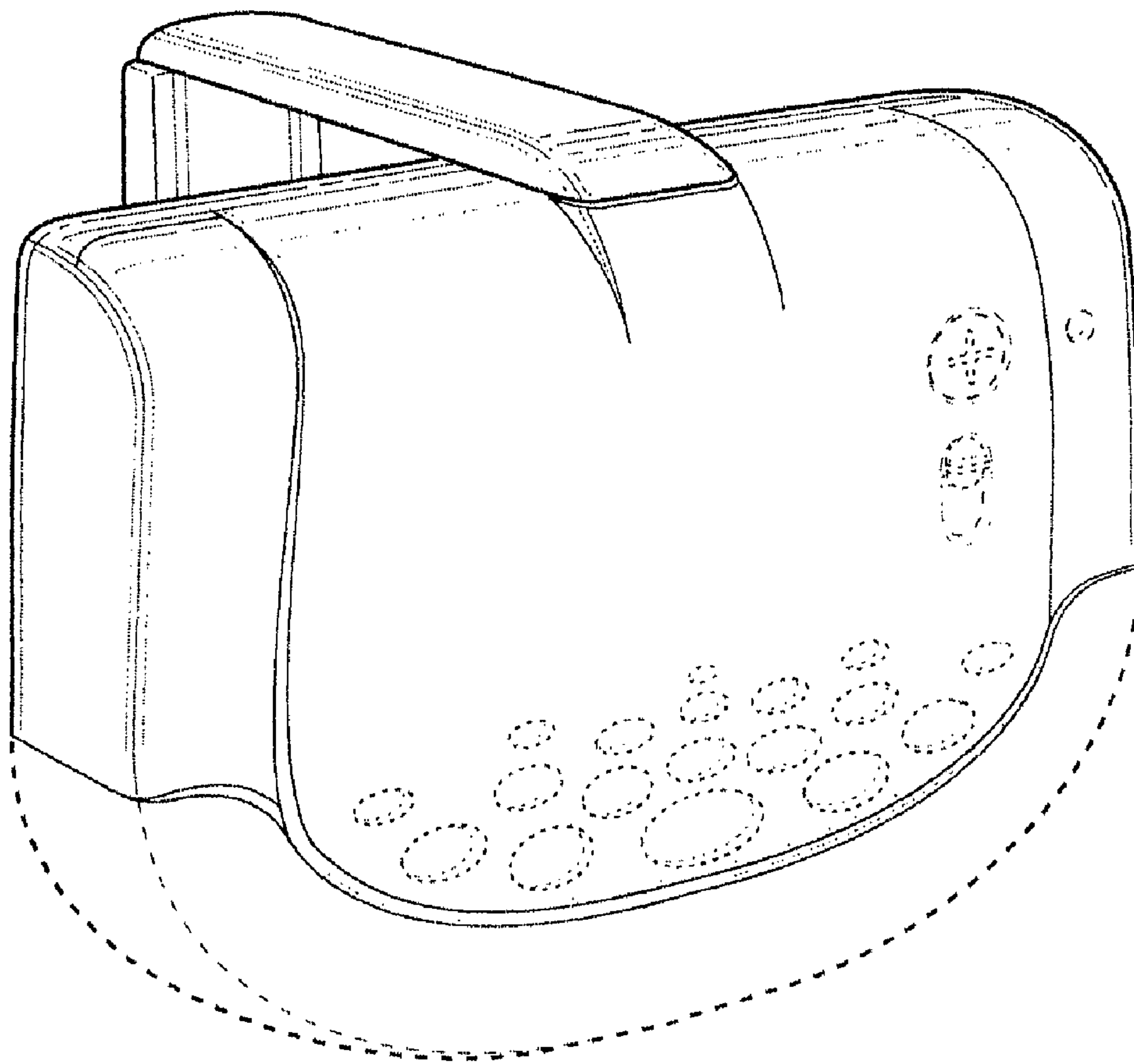


FIG. 2

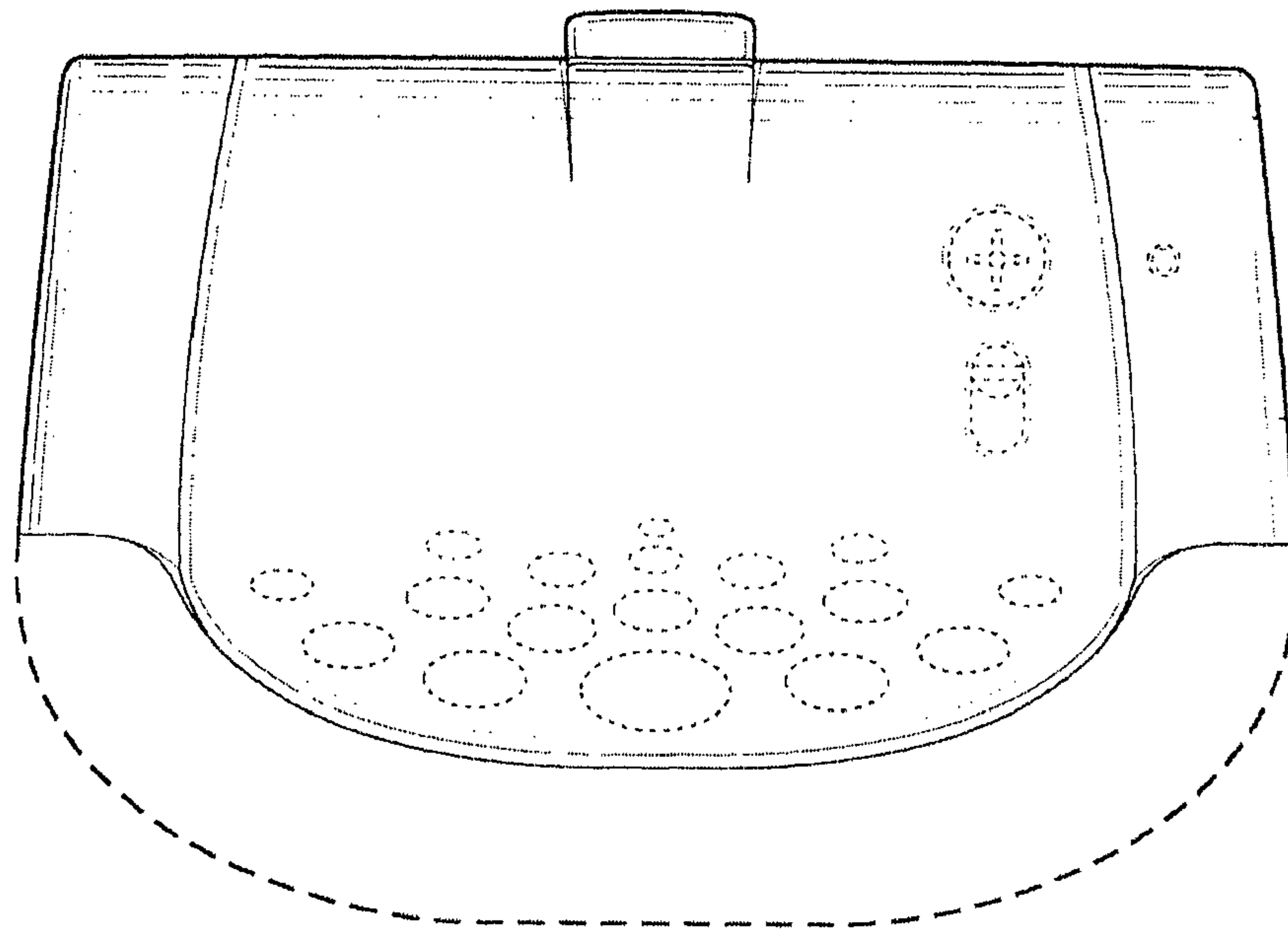


FIG. 3

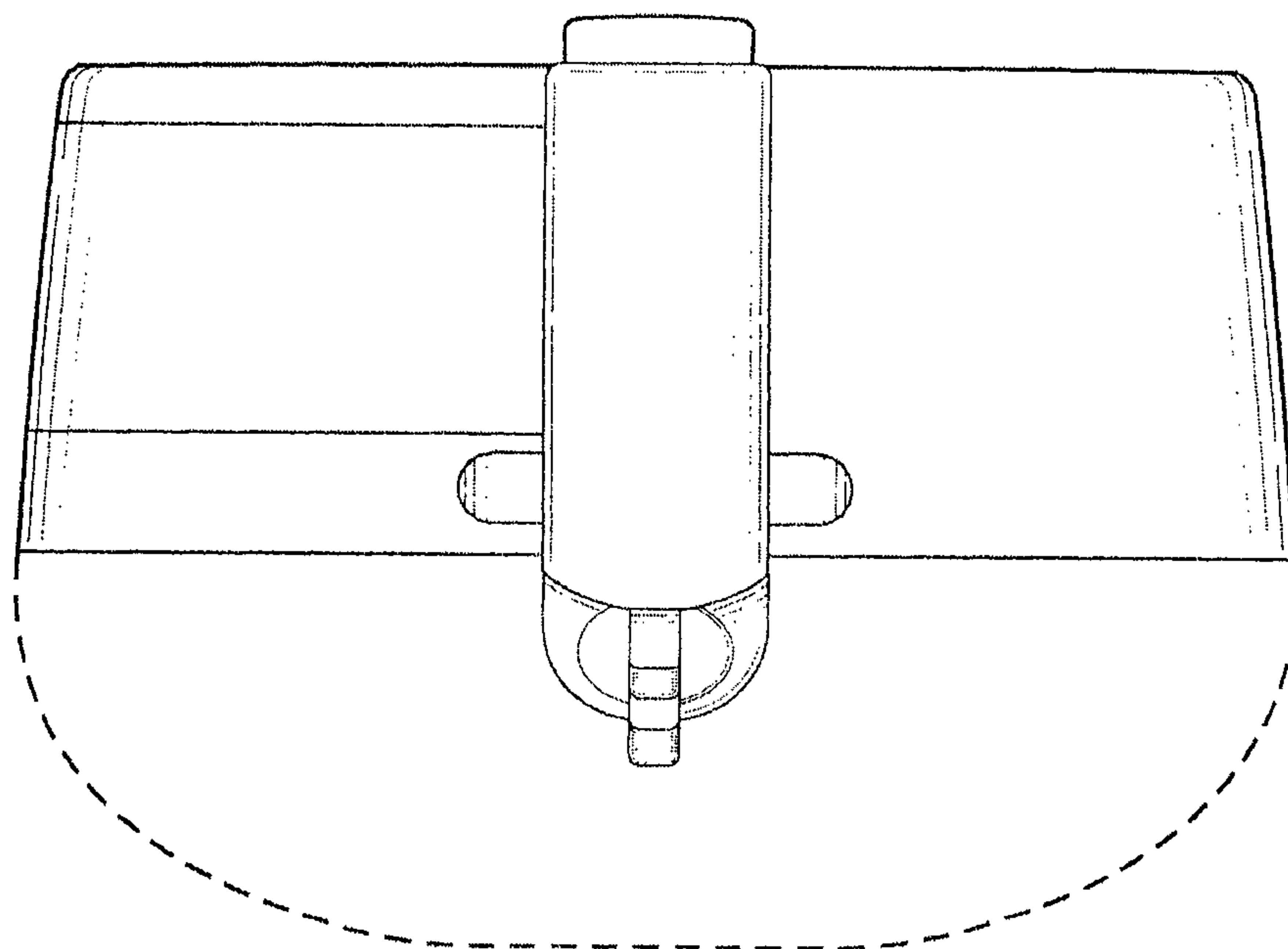


FIG. 4

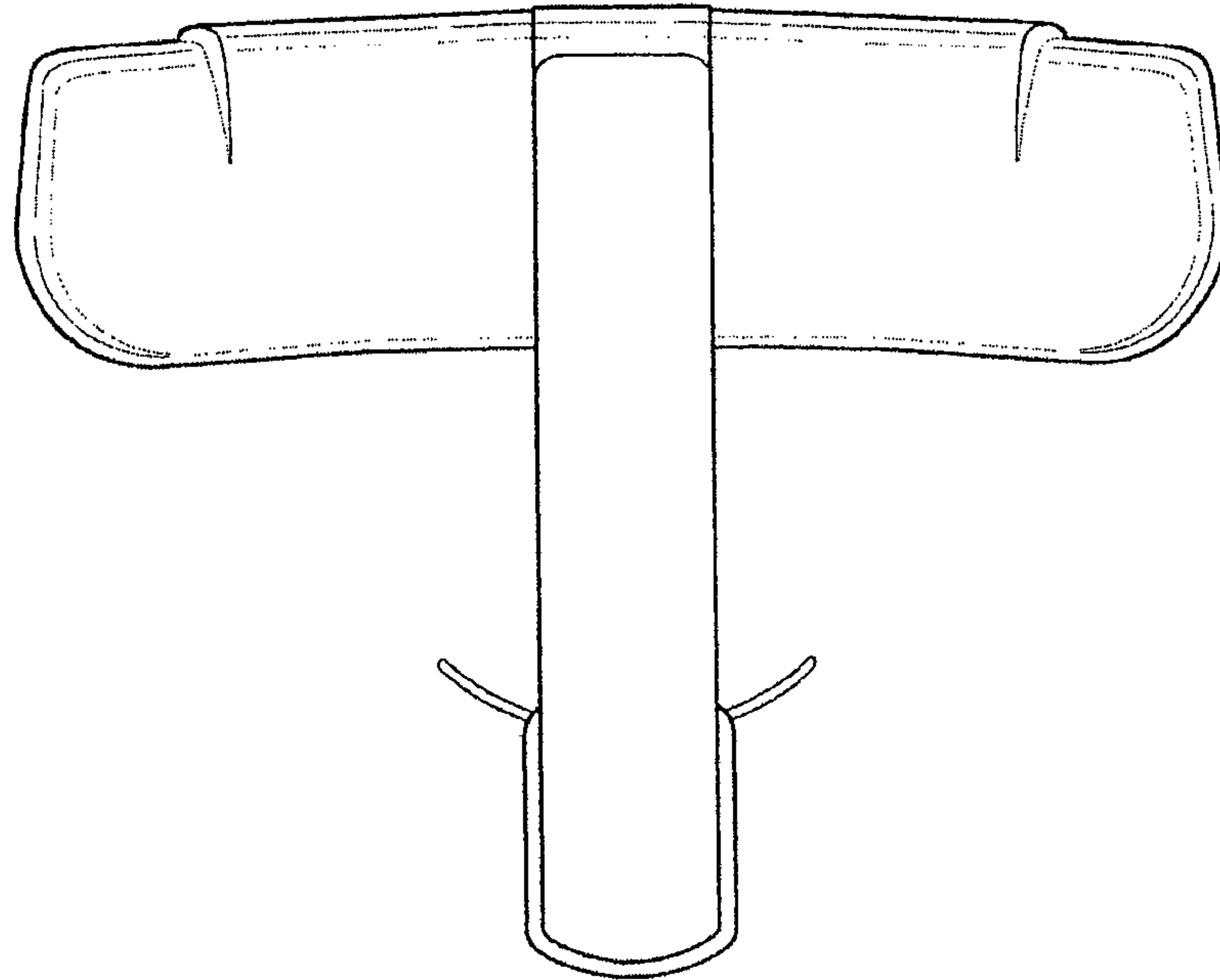


FIG. 5

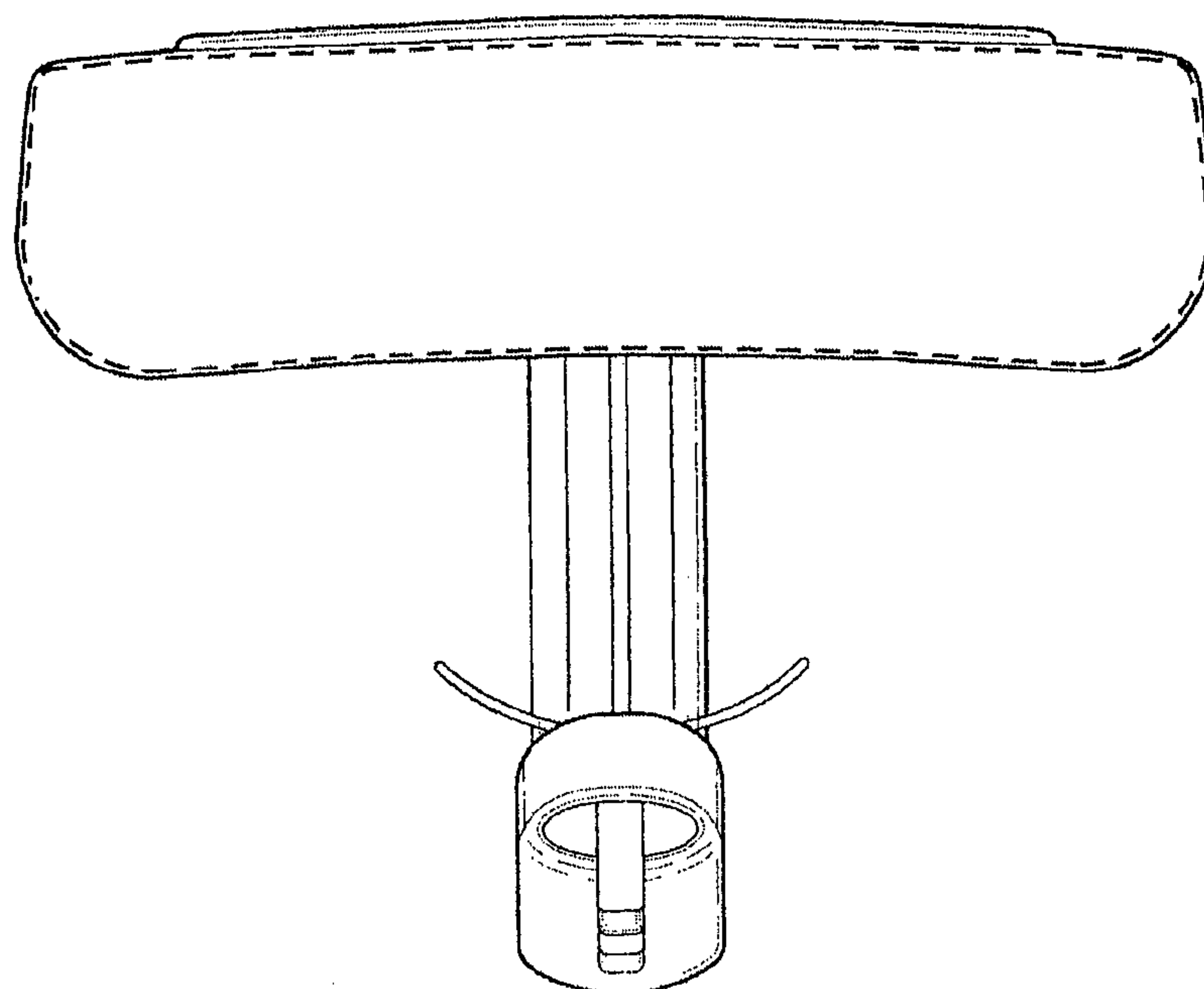


FIG. 6

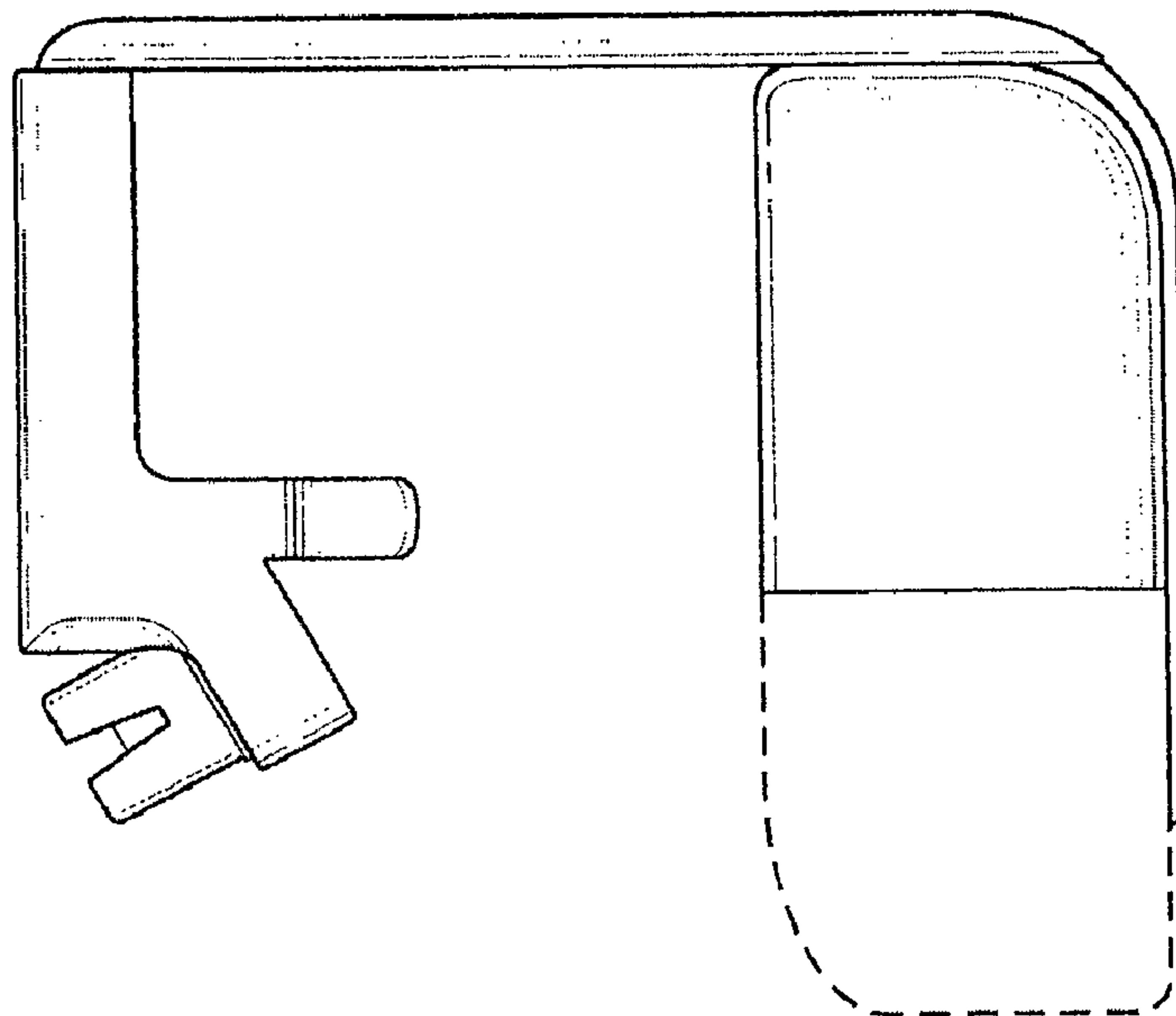


FIG. 7

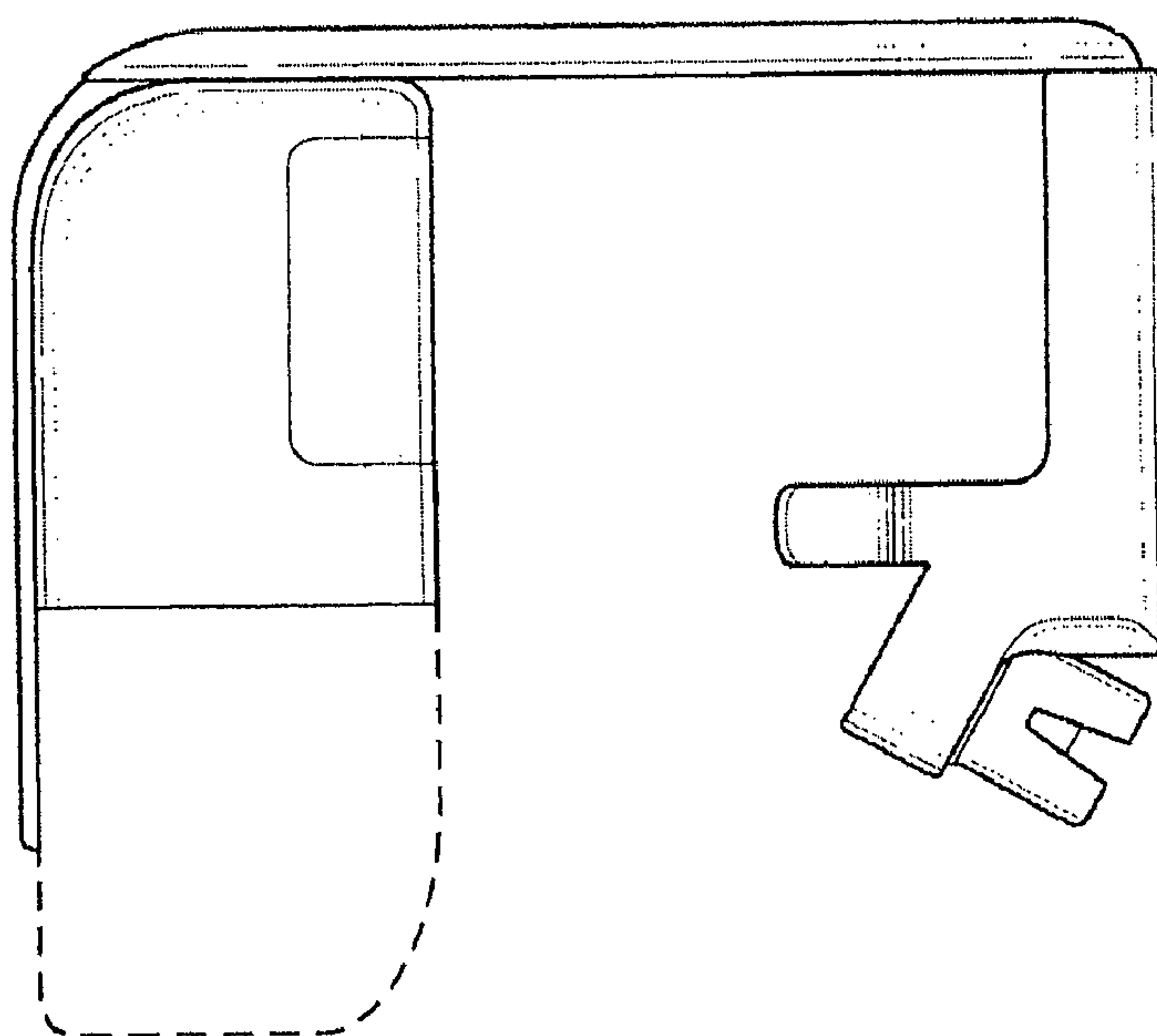


FIG. 8

