



US00D613368S

(12) **United States Design Patent**
Padain et al.

(10) **Patent No.:** **US D613,368 S**

(45) **Date of Patent:** **** Apr. 6, 2010**

(54) **DISPENSER**

(75) Inventors: **Christopher Leonard Padain**,
Hoboken, NJ (US); **Duncan Alexander**
Eric Shotton, Bradford-on-Avon (GB);
Thomas Edward Walker, Bristol (GB);
Craig Ian Wightman, Bristol (GB)

(73) Assignee: **Reckitt Benckiser Inc.**, Parsippany, NJ
(US)

(**) Term: **14 Years**

(21) Appl. No.: **29/342,179**

(22) Filed: **Aug. 20, 2009**

(30) **Foreign Application Priority Data**

Mar. 6, 2009 (EM) 001100655-0001

(51) **LOC (9) Cl.** **23-01**

(52) **U.S. Cl.** **D23/208**

(58) **Field of Classification Search** D23/207,
D23/208; 4/223, 225.1, 227.1, 231
See application file for complete search history.

(56) **References Cited**

U.S. PATENT DOCUMENTS

D500,548 S * 1/2005 Conway et al. D23/208

D541,902 S * 5/2007 Cheung et D23/208

D555,757 S * 11/2007 Cheung et al. D23/208

D574,922 S * 8/2008 Cheung et al. D23/208

D583,902 S * 12/2008 Cheung et al. D23/208

* cited by examiner

Primary Examiner—Robin V Webster

(74) *Attorney, Agent, or Firm*—Norris, McLaughlin &
Marcus

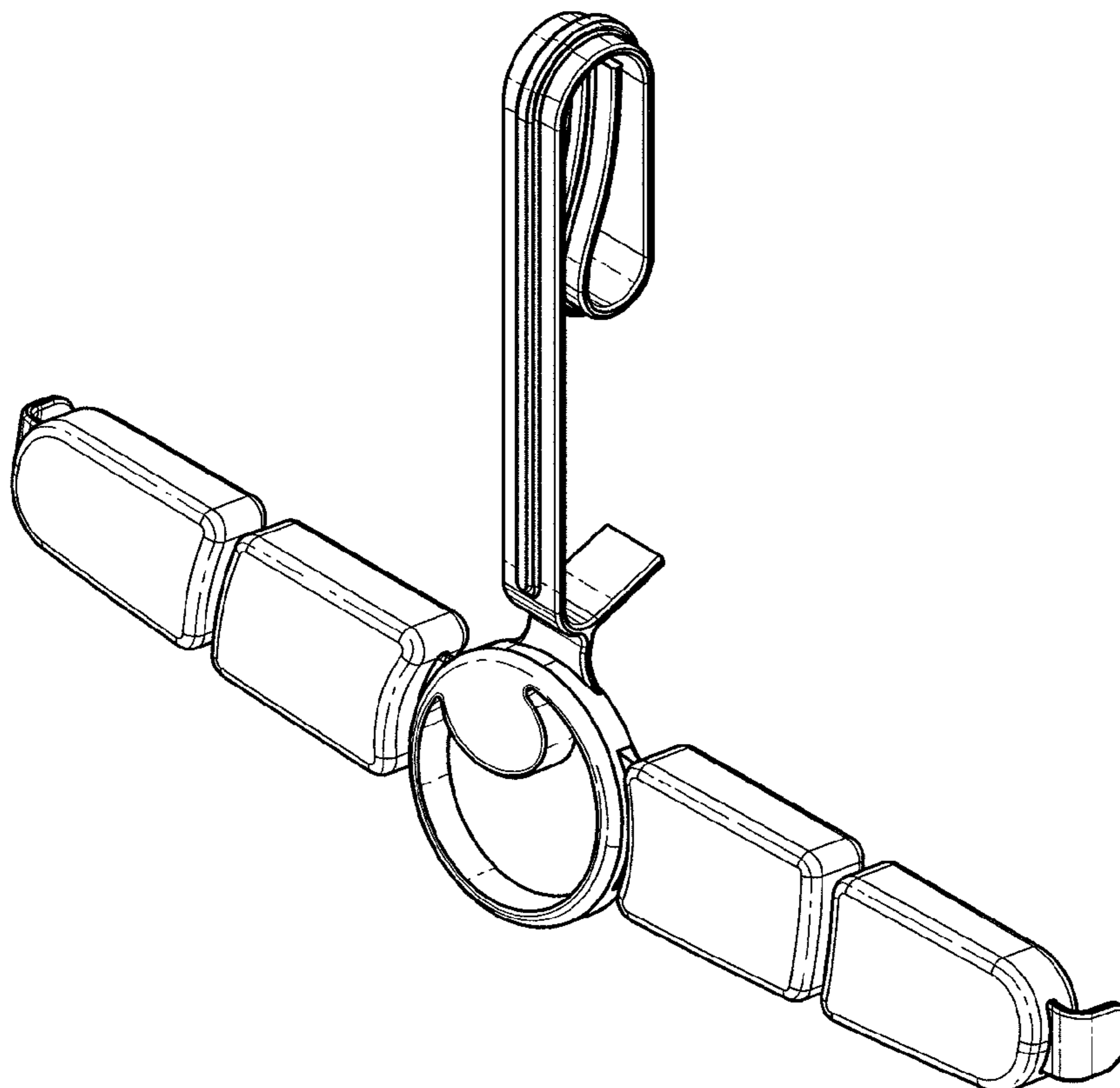
(57) **CLAIM**

The ornamental design for a dispenser, as shown and
described.

DESCRIPTION

FIG. 1 is a front perspective view of our dispenser;
FIG. 2 is an elevation view of the front thereof;
FIG. 3 is an elevation view of the rear thereof;
FIG. 4 is an elevation view of the right side thereof;
FIG. 5 is an elevation view of the left side thereof;
FIG. 6 is a plan view of the top thereof; and,
FIG. 7 is a plan view of the bottom thereof.

1 Claim, 3 Drawing Sheets



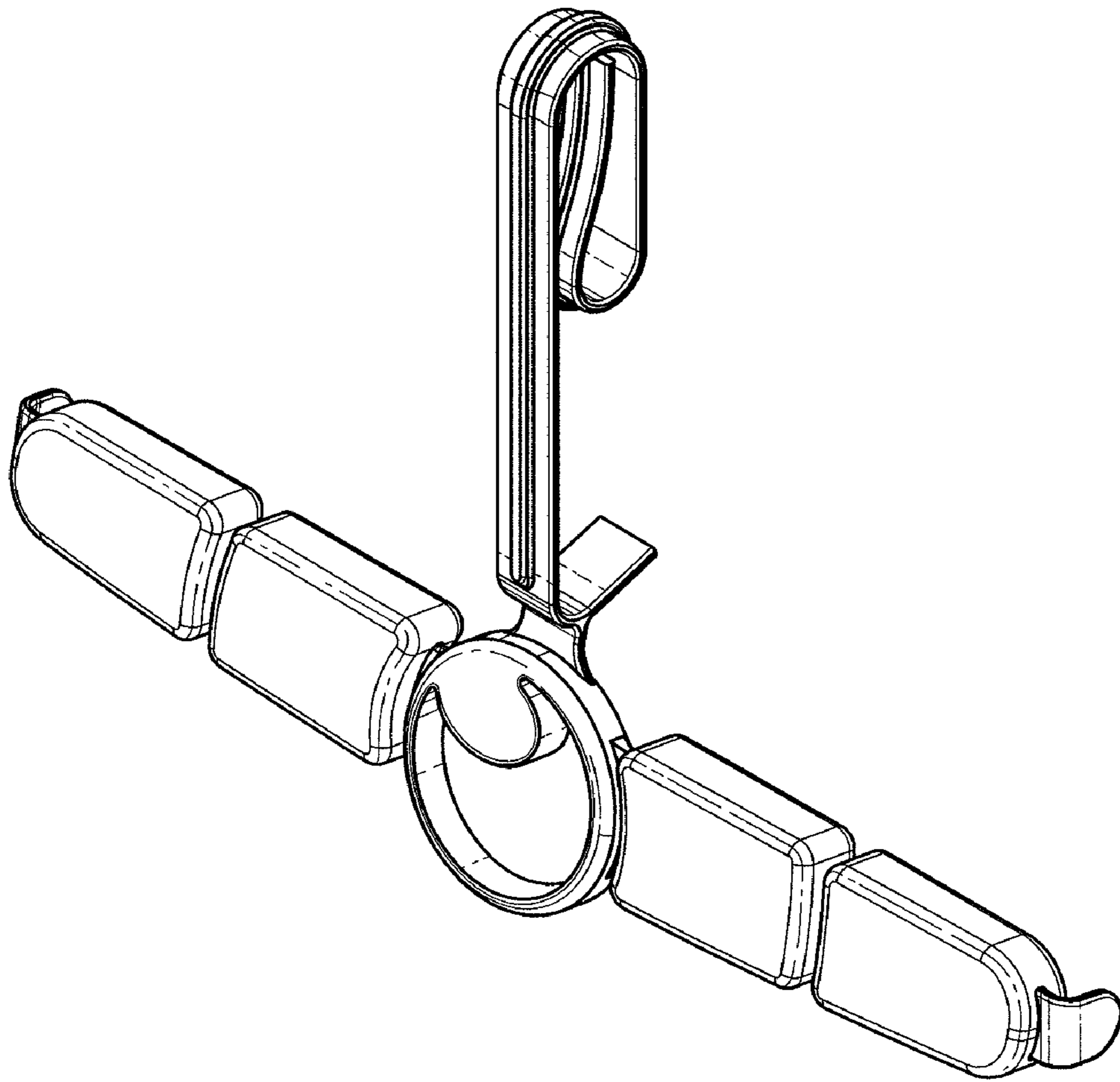


FIG. 1

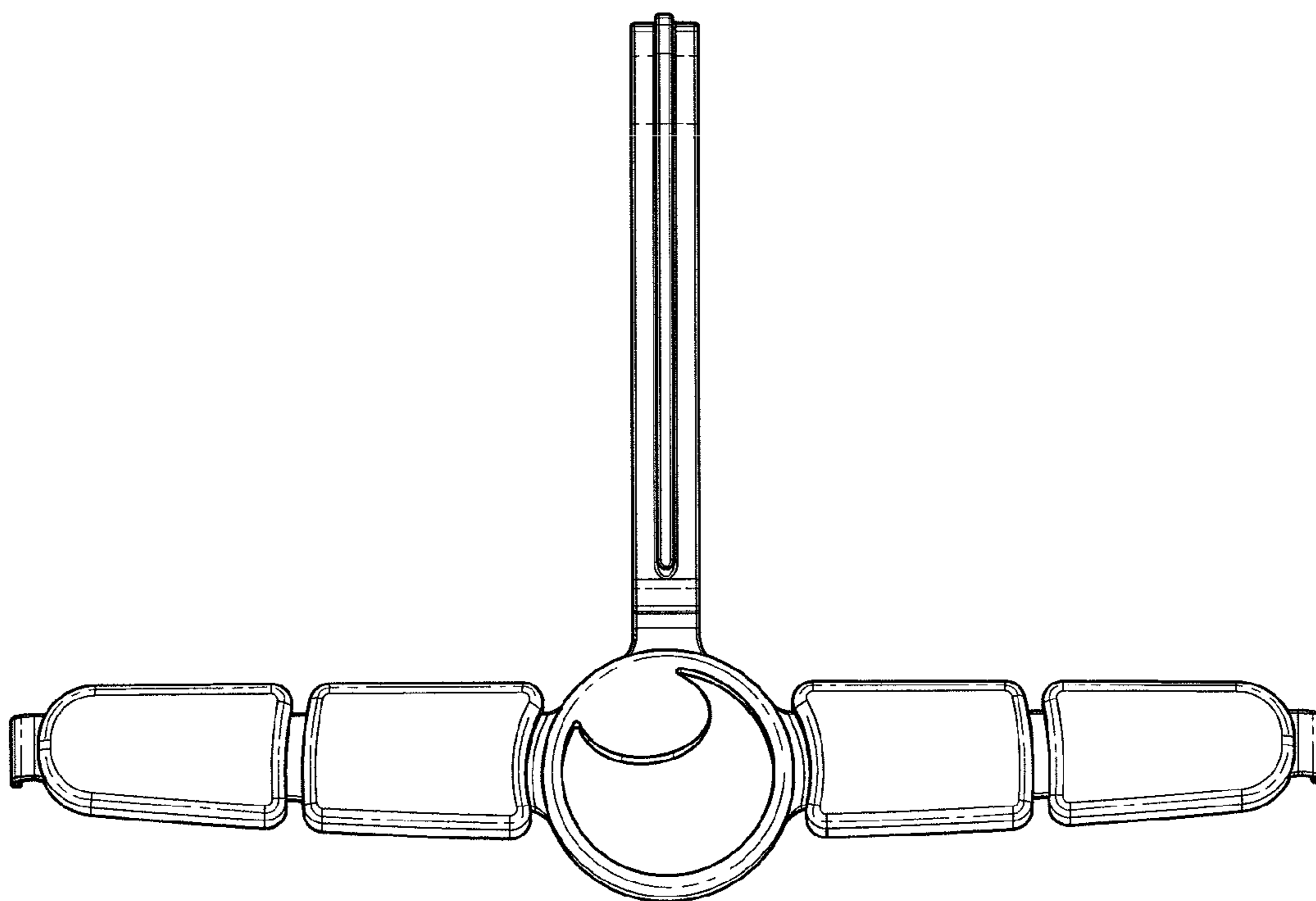


FIG. 2

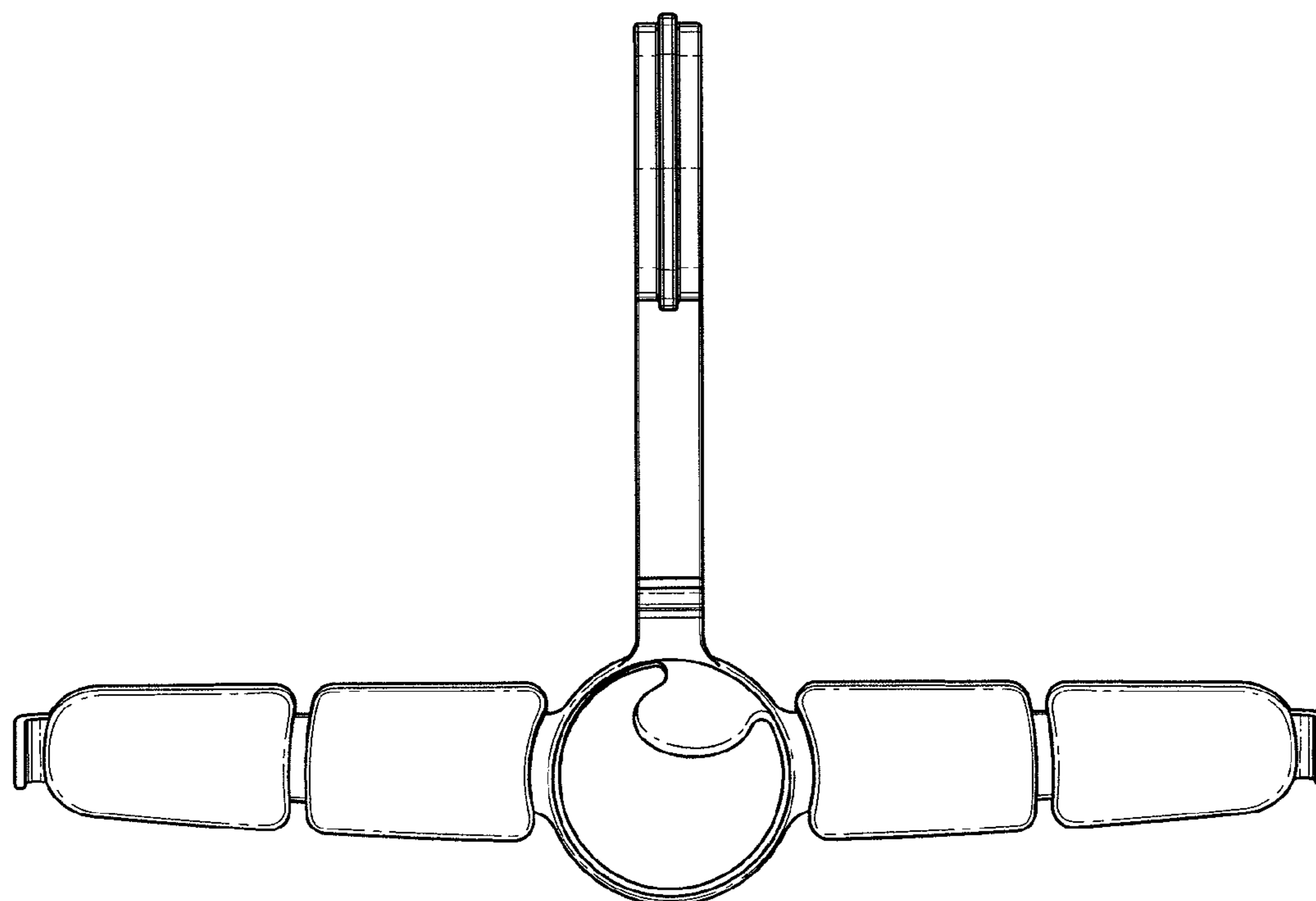


FIG. 3

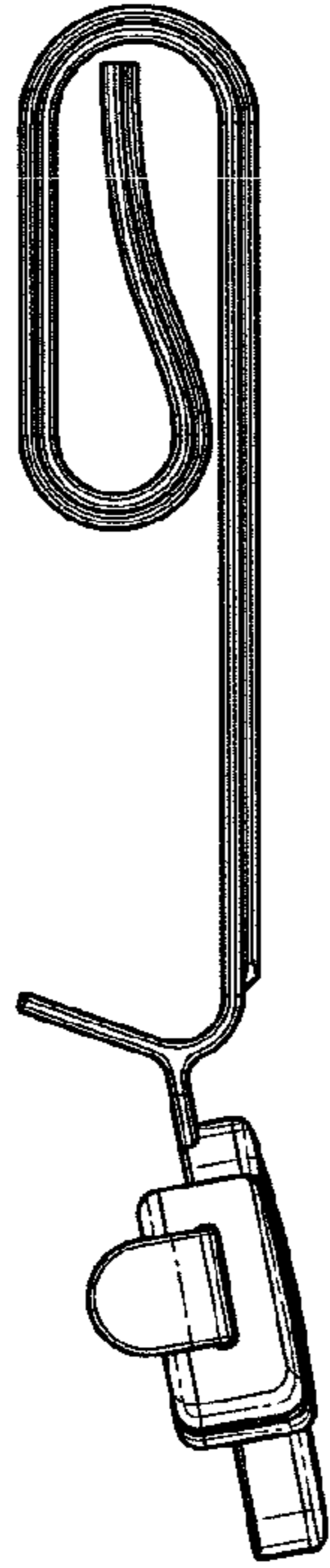


FIG. 4

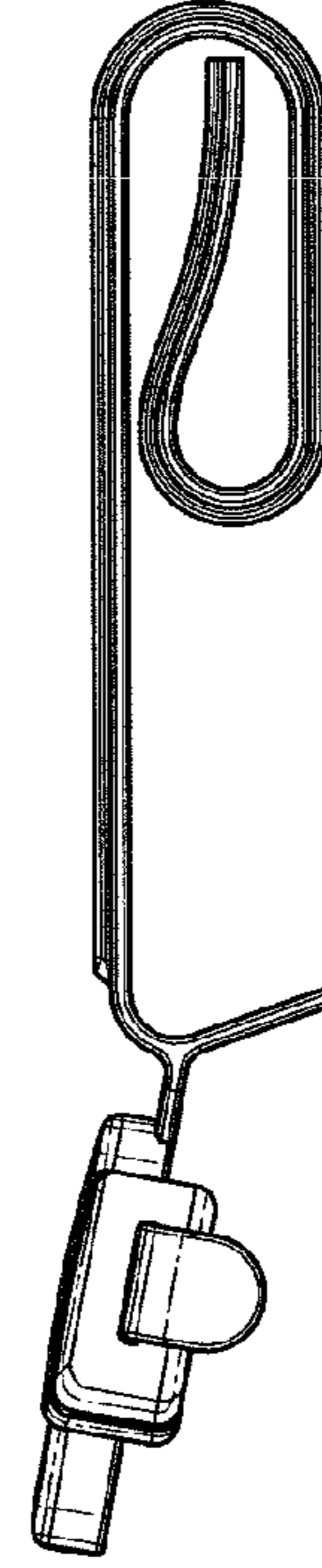


FIG. 5

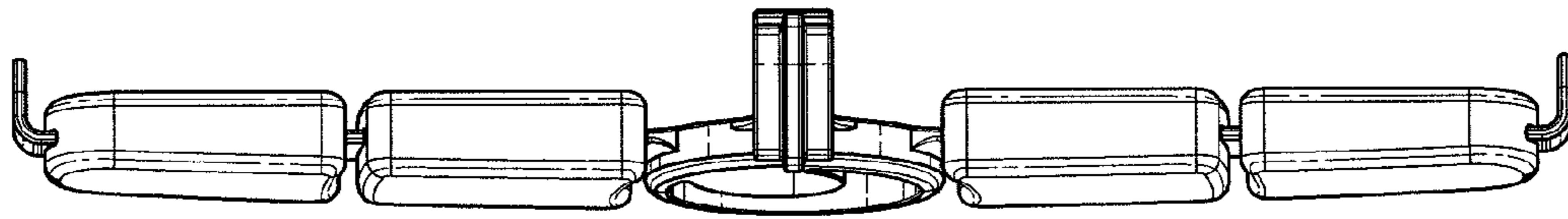


FIG. 6

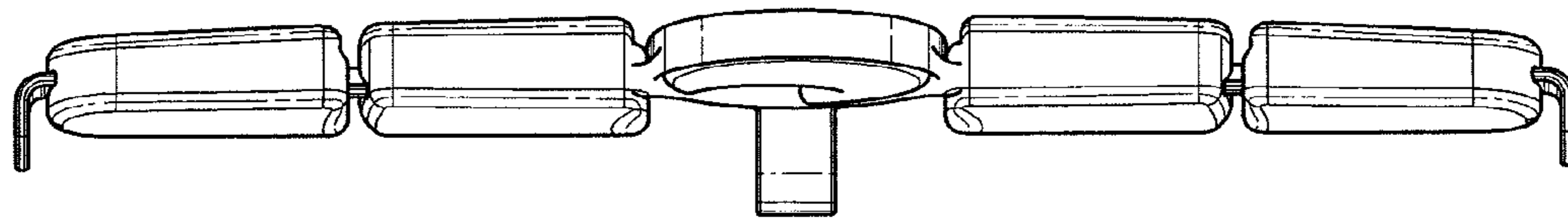


FIG. 7