



US00D613367S

(12) **United States Design Patent**
Burt et al.

(10) **Patent No.:** **US D613,367 S**

(45) **Date of Patent:** **** Apr. 6, 2010**

(54) **LAVATORY DISPENSING DEVICE WITH AN AIR TREATMENT ELEMENT**

D345,195 S * 3/1994 Kelly D23/208
D365,138 S * 12/1995 Puri D23/208
D370,710 S * 6/1996 Wefler D23/208
D400,965 S * 11/1998 Akwei D23/208

(75) Inventors: **Diane Joyce Burt**, New Windsor, NY (US); **Artur Stanislaw Domanski**, Ridgewood, NJ (US); **Noel Plenos**, Belleville, NJ (US)

* cited by examiner

Primary Examiner—Robin V Webster

(73) Assignee: **Reckitt Benckiser Inc.**, Parsippany, NJ (US)

(74) *Attorney, Agent, or Firm*—Norris, McLaughlin & Marcus

(**) Term: **14 Years**

(57) **CLAIM**

(21) Appl. No.: **29/342,053**

The ornamental design for a lavatory dispensing device with an air treatment element, as shown and described.

(22) Filed: **Aug. 18, 2009**

DESCRIPTION

(51) **LOC (9) Cl.** **23-01**

FIG. 1 is a perspective view of the front and left side of an embodiment of the said device;

(52) **U.S. Cl.** **D23/208; D23/366**

FIG. 2 is a plan view of the top of the said device;

(58) **Field of Classification Search** D23/208, D23/366; 4/223, 225.1, 227.1, 231

FIG. 3 is an elevation view of the right side of the said device;

See application file for complete search history.

FIG. 4 is an elevation view of the left side of the said device;

FIG. 5 is plan view of the bottom of the said device;

(56) **References Cited**

FIG. 6 is an elevation view of the rear of the said device; and,

FIG. 7 is an elevation view of the front of the said device.

U.S. PATENT DOCUMENTS

D199,735 S * 12/1964 Woodruff D23/208
D249,355 S * 9/1978 Blank D23/208

1 Claim, 4 Drawing Sheets

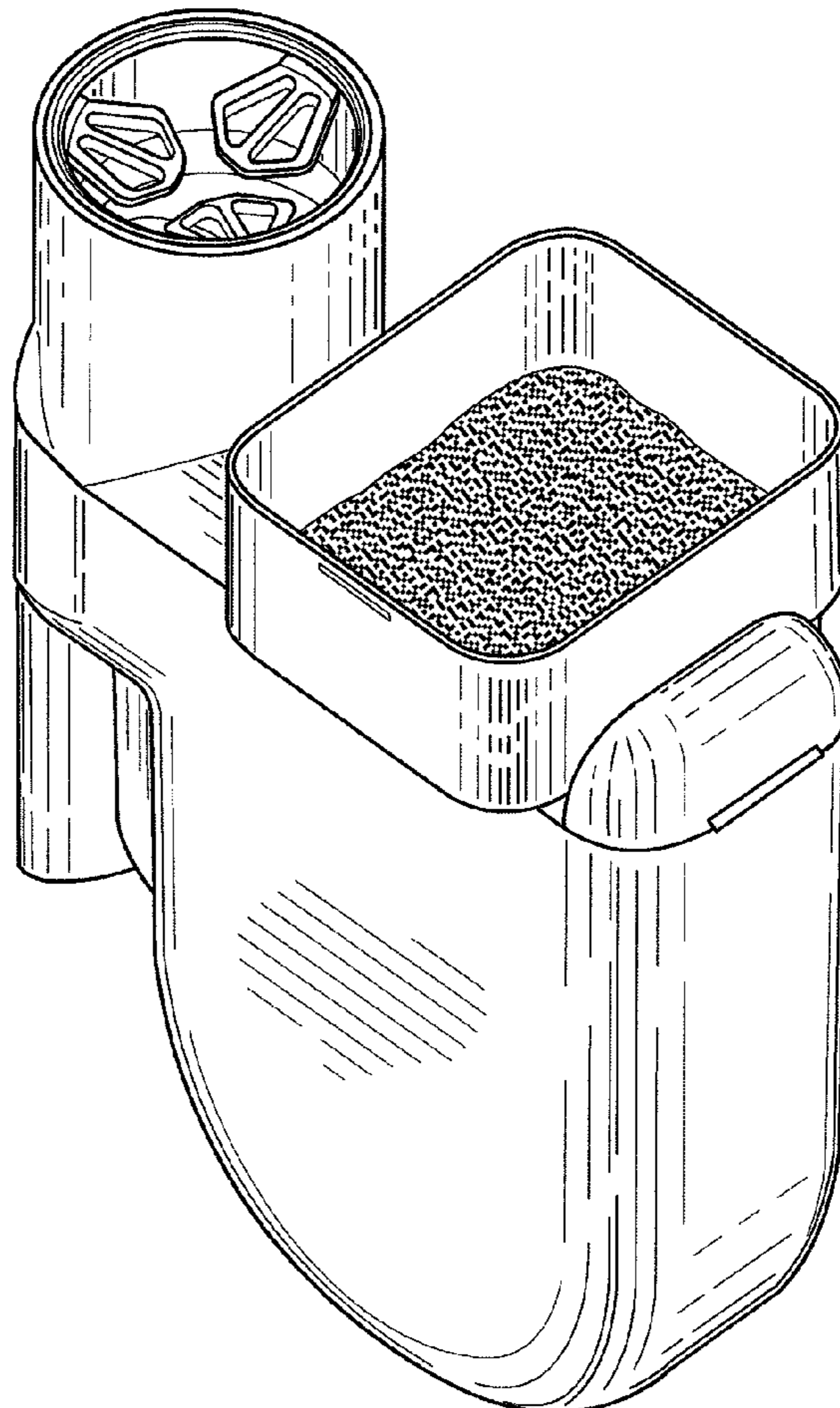


FIG. 1

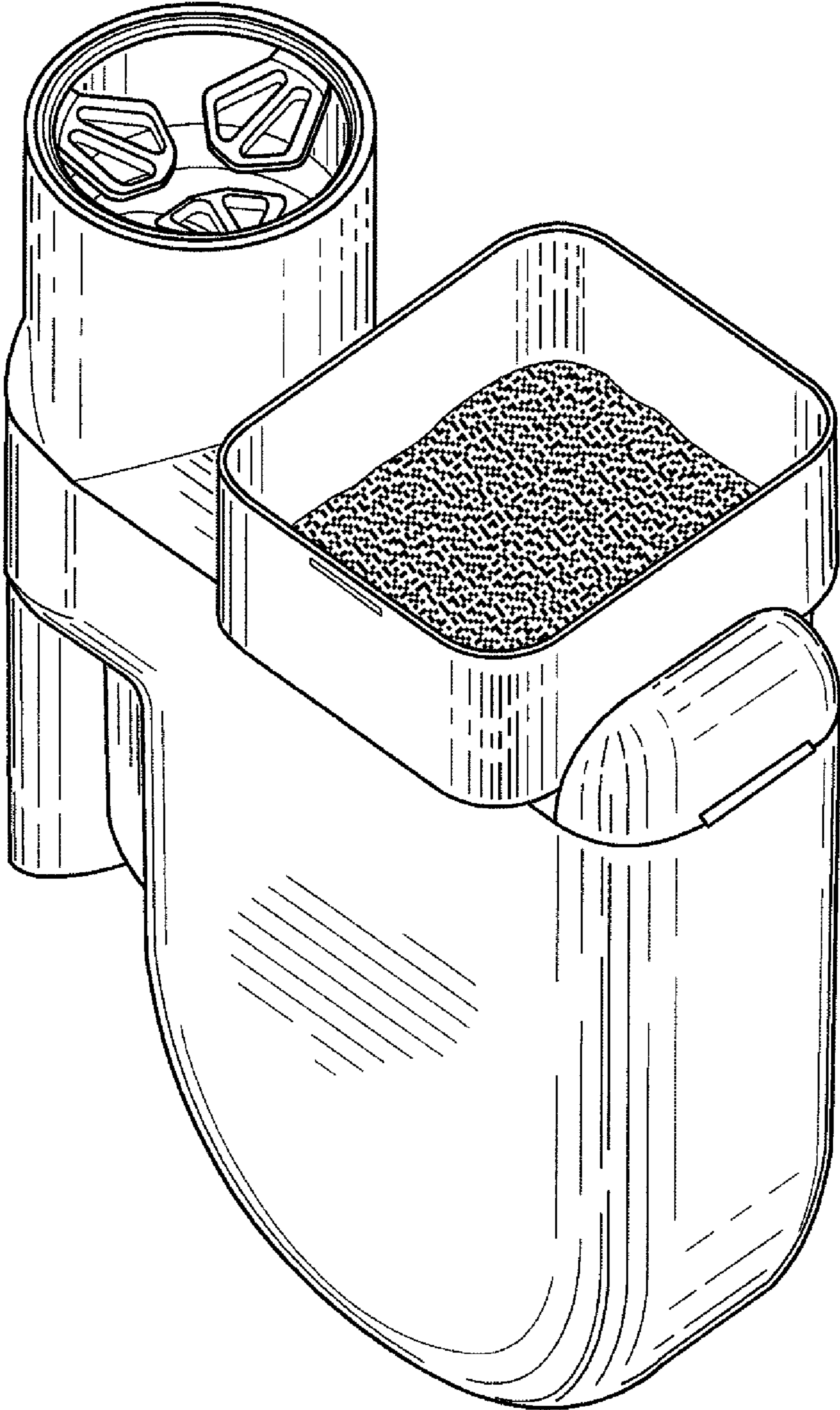


FIG. 2

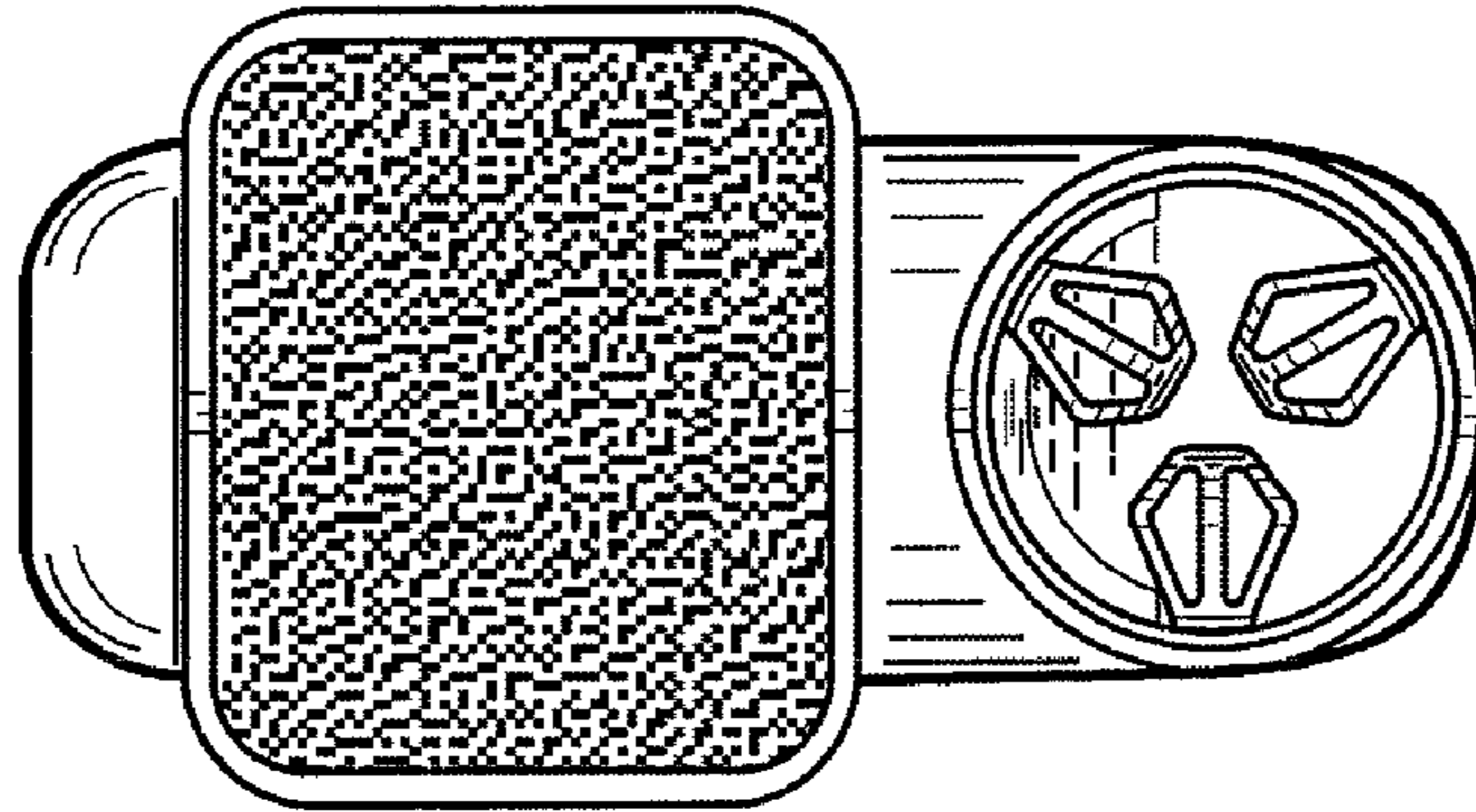


FIG. 3

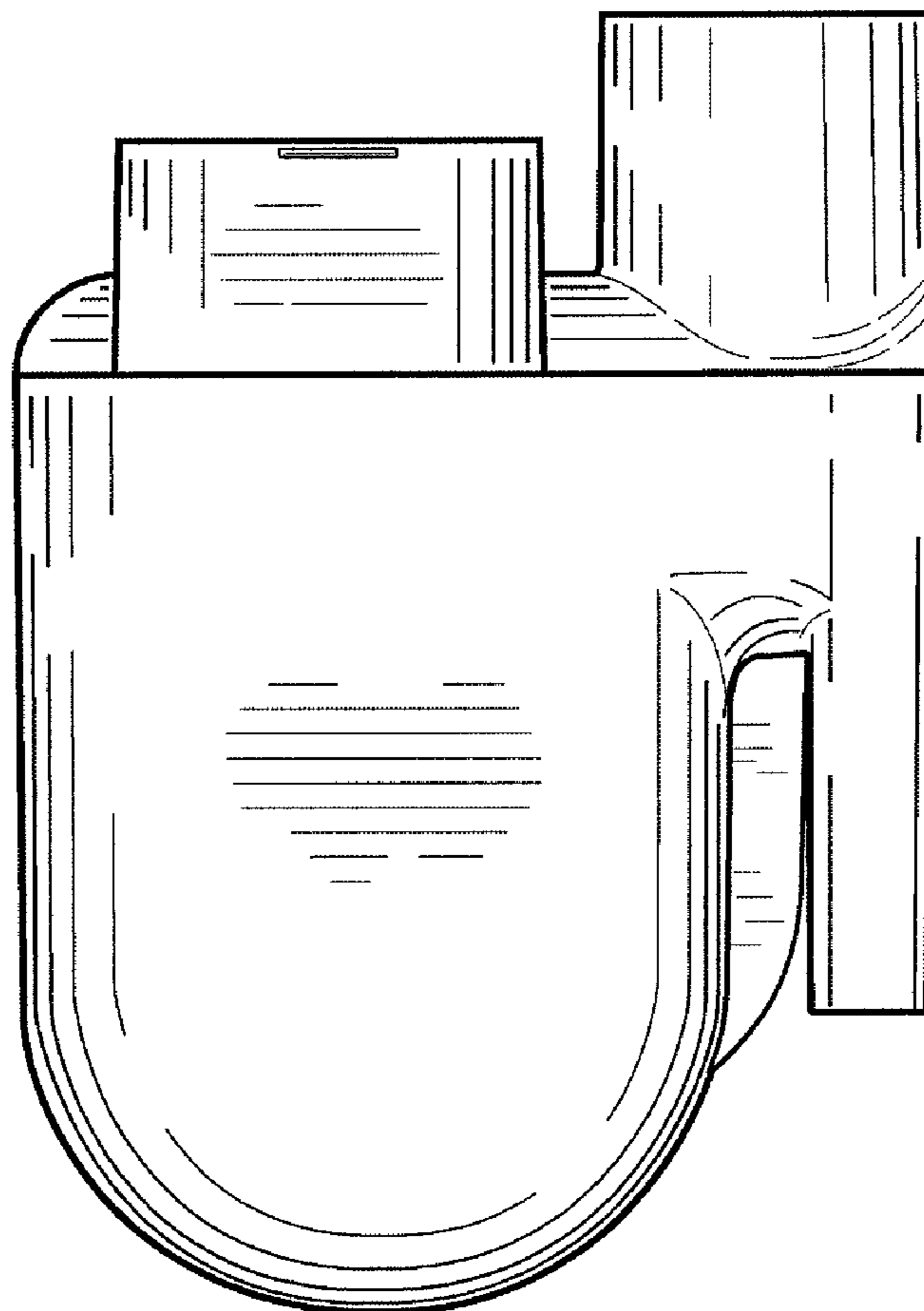


FIG. 4

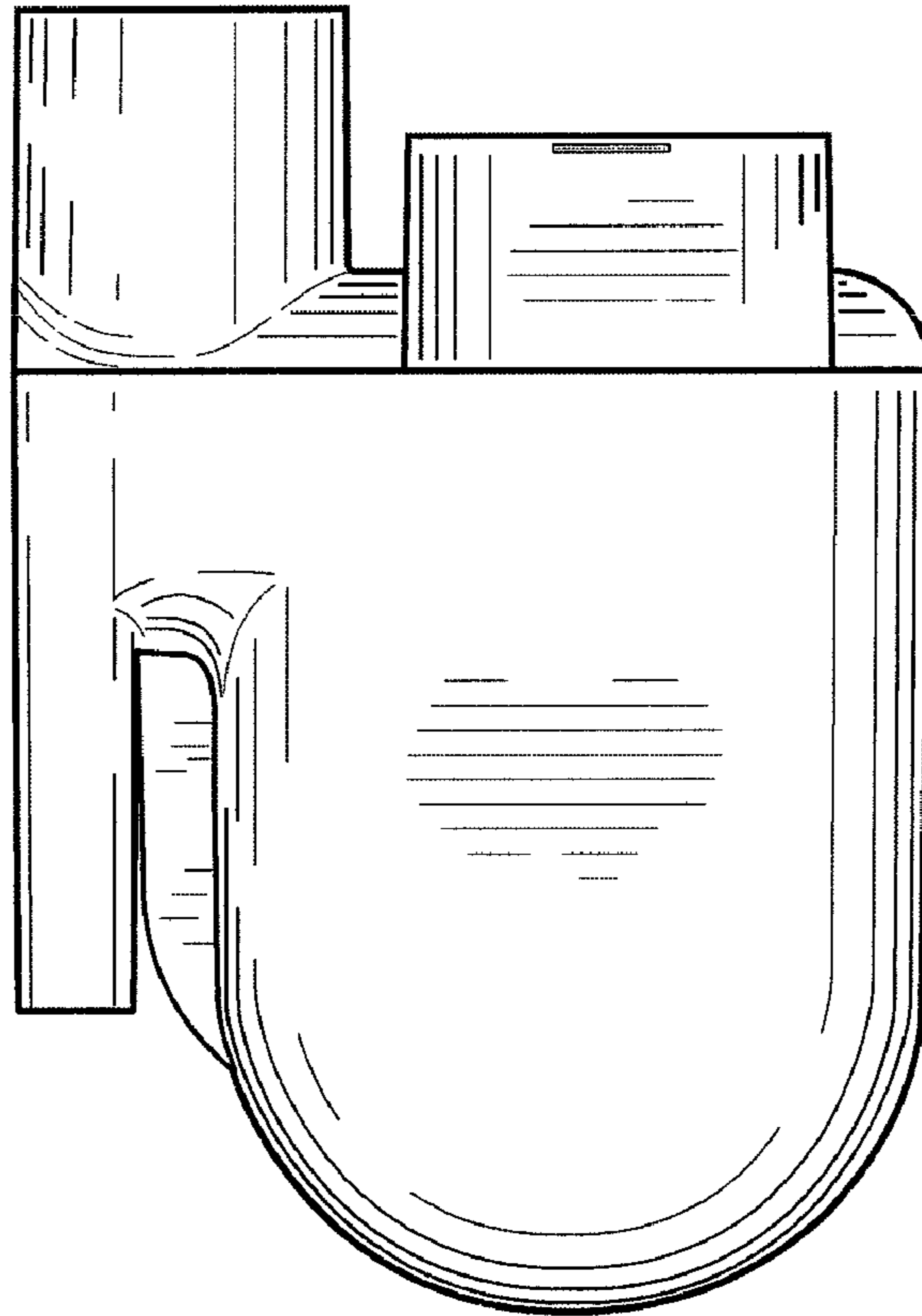


FIG. 5

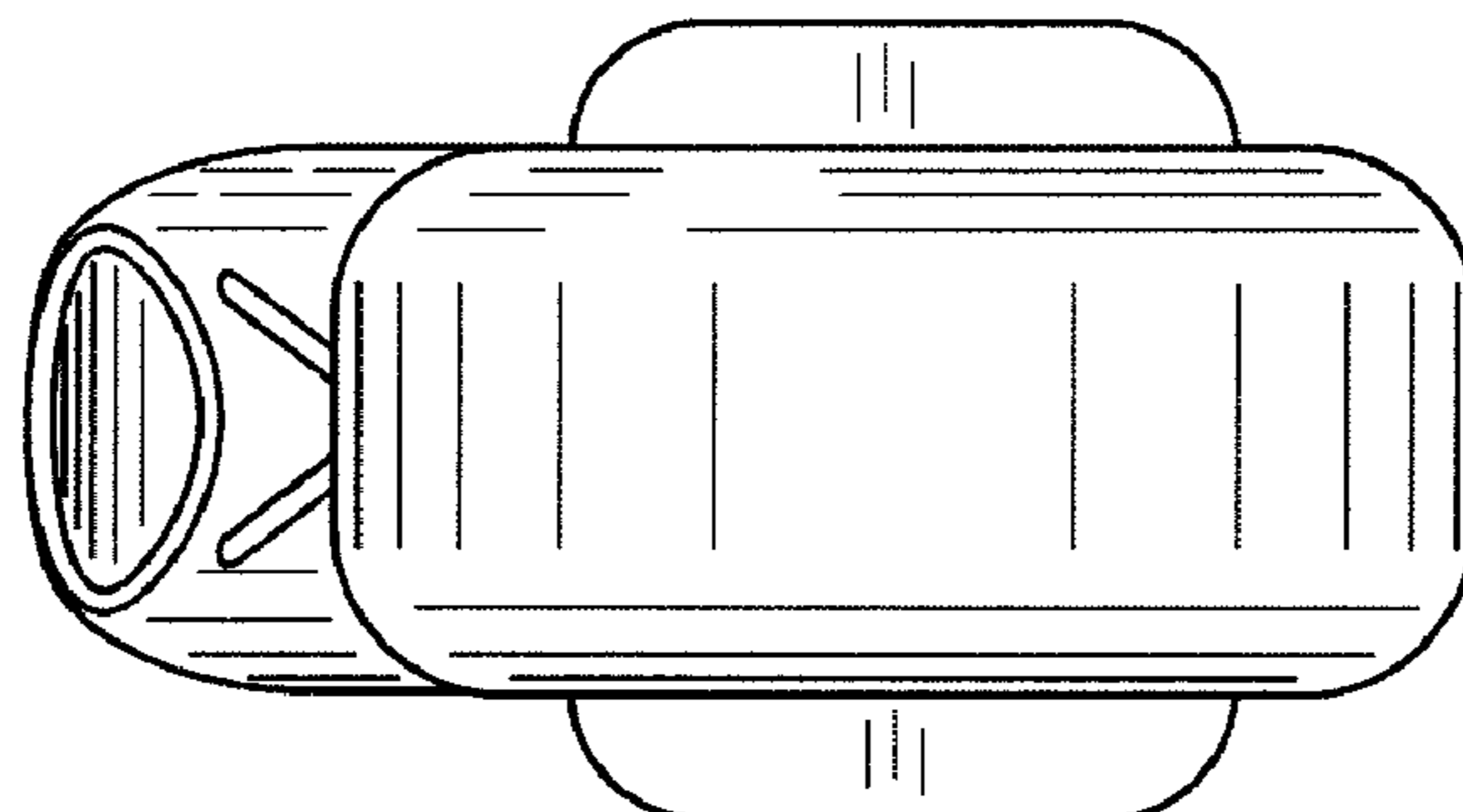


FIG. 6

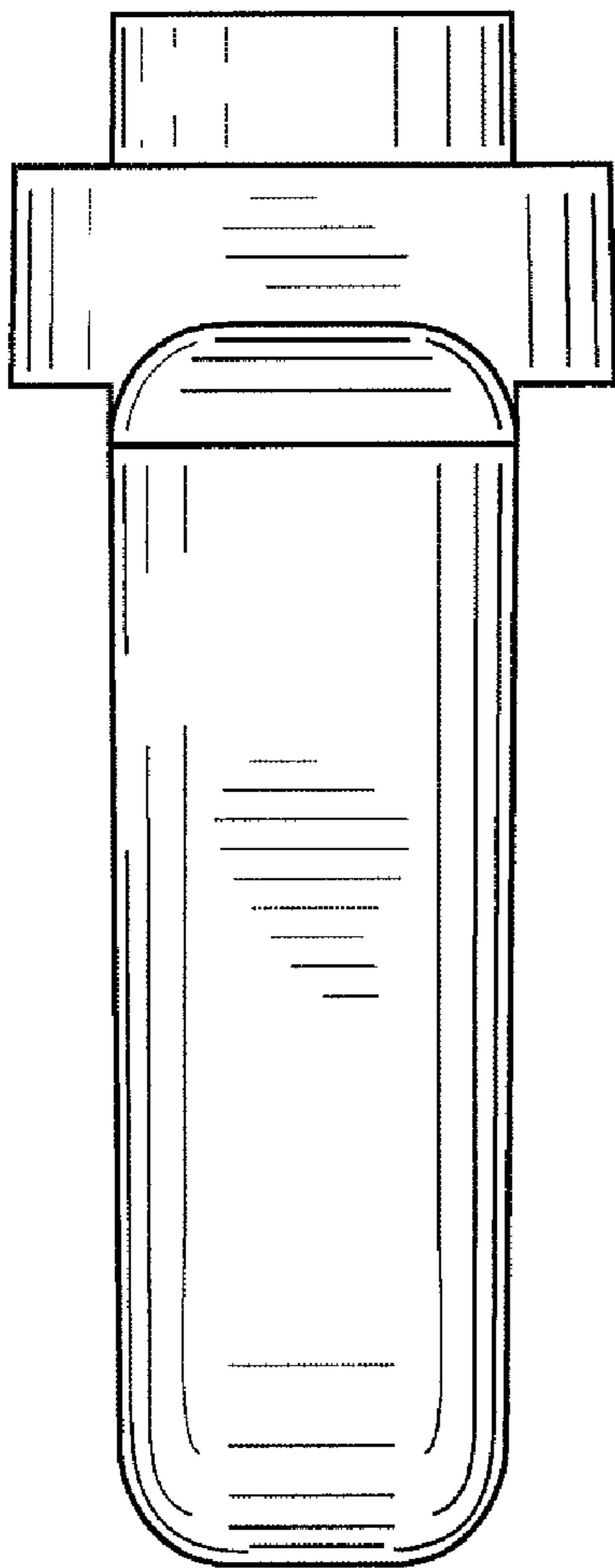


FIG. 7

