



US00D613366S

(12) **United States Design Patent**
Lin

(10) **Patent No.:** **US D613,366 S**

(45) **Date of Patent:** **** Apr. 6, 2010**

(54) **FISHING ROD REEL SEAT**

D593,639 S * 6/2009 Akiba et al. D22/142

(76) **Inventor:** **Yi-Te Lin**, No. 60, Sinle Rd., South District, Tainan City 702 (TW)

* cited by examiner

Primary Examiner—Catherine R Oliver
(74) *Attorney, Agent, or Firm*—Banger Shia

(**) **Term:** **14 Years**

(21) **Appl. No.:** **29/343,434**

(57) **CLAIM**

(22) **Filed:** **Sep. 12, 2009**

The ornamental design for a fishing rod reel seat, as shown and described.

(51) **LOC (9) Cl.** **22-05**

(52) **U.S. Cl.** **D22/142**

(58) **Field of Classification Search** D22/142,
D22/134, 137–139; 43/18.1, 22–23

See application file for complete search history.

DESCRIPTION

FIG. 1 is a perspective view of a fishing rod reel seat showing my new design;

FIG. 2 is a front elevation view thereof;

FIG. 3 is a rear elevation view thereof;

FIG. 4 is a left side elevation view thereof;

FIG. 5 is a right side elevation view thereof;

FIG. 6 is a top plan view thereof; and,

FIG. 7 is a bottom plan view thereof.

(56) **References Cited**

U.S. PATENT DOCUMENTS

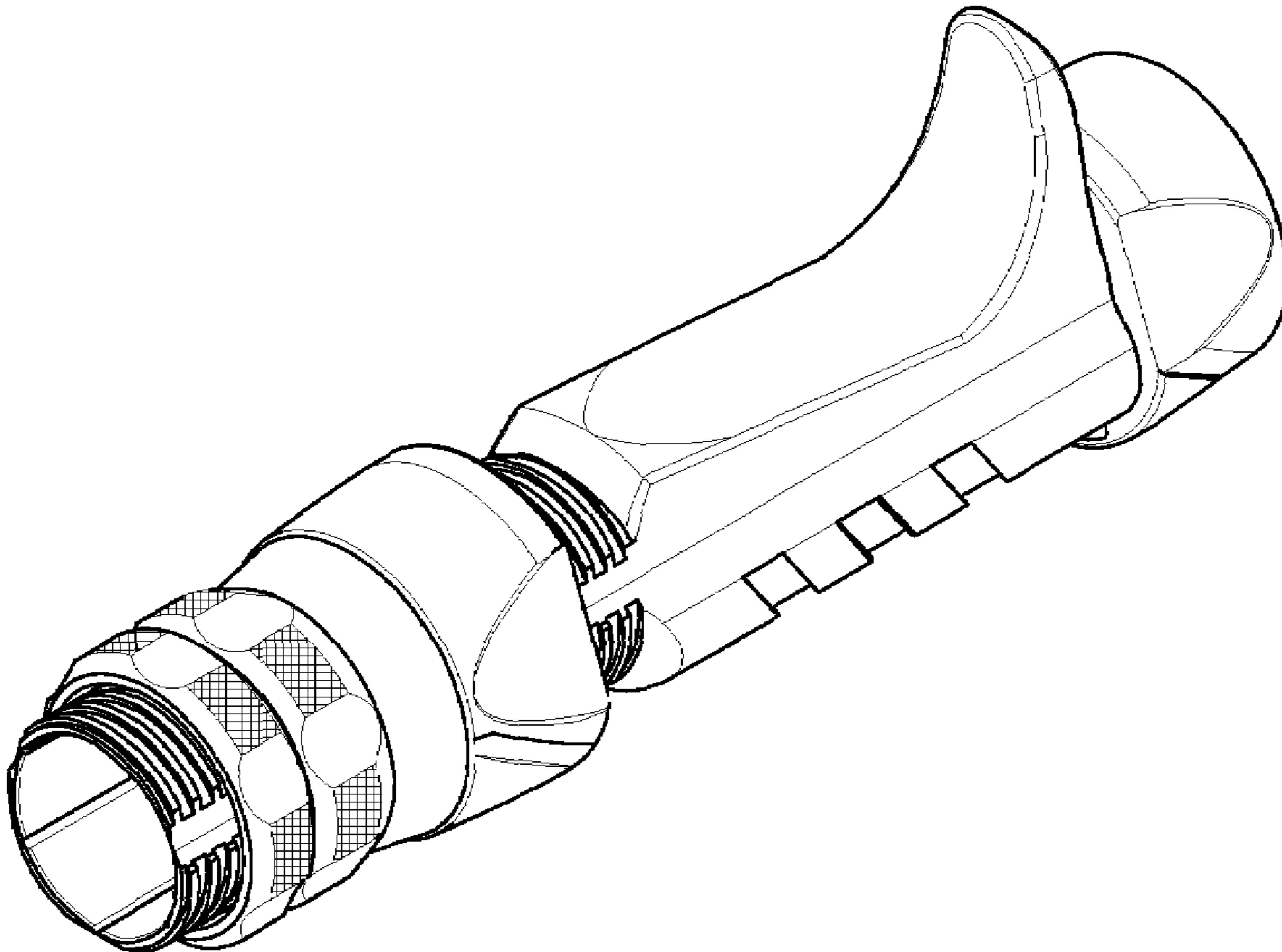
D290,158 S * 6/1987 Ohmura D22/142

D323,543 S * 1/1992 Oyama D22/142

D418,194 S * 12/1999 Oyama et al. D22/142

D425,170 S * 5/2000 Ohmura D22/142

1 Claim, 7 Drawing Sheets



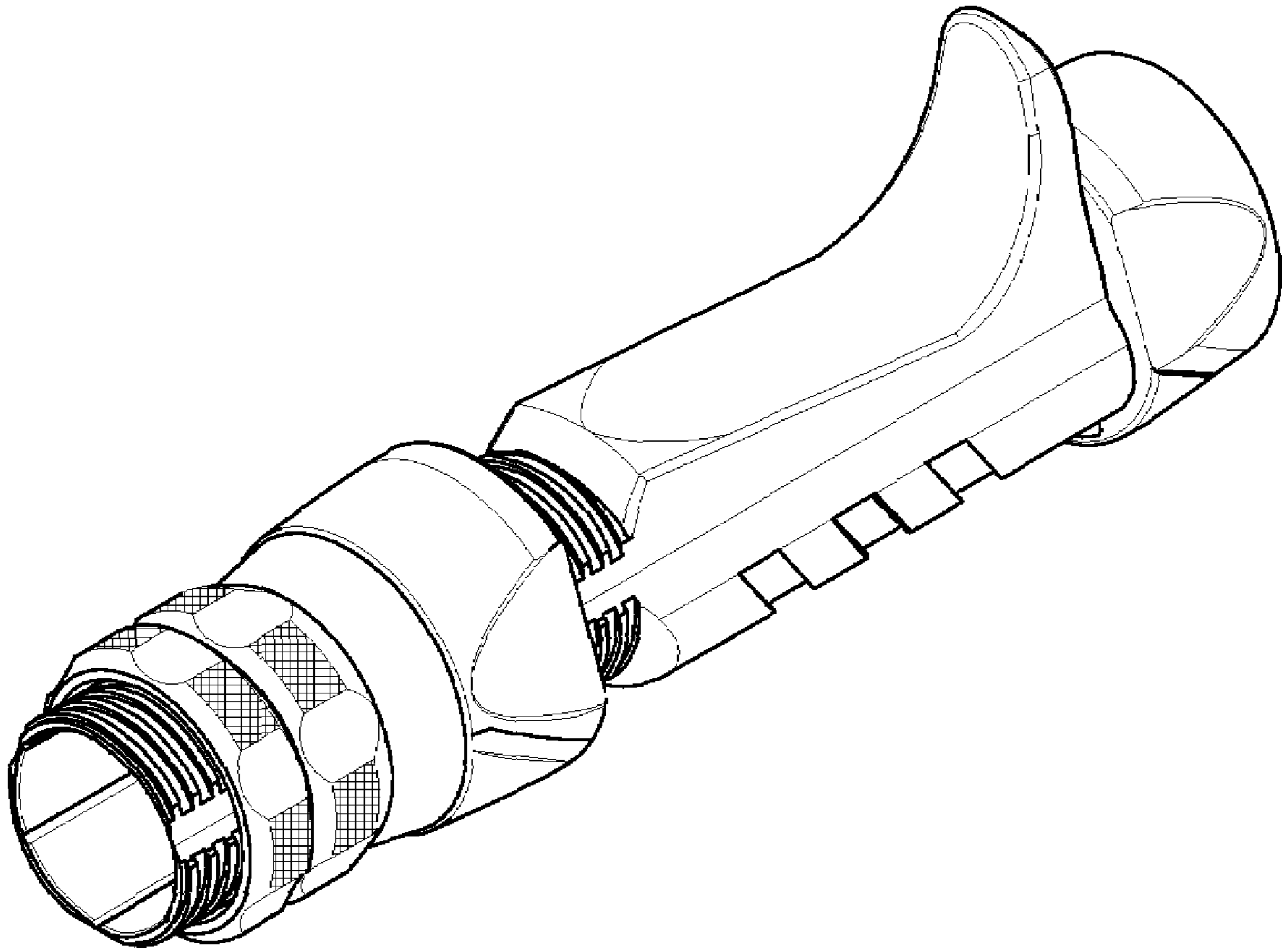


FIG. 1

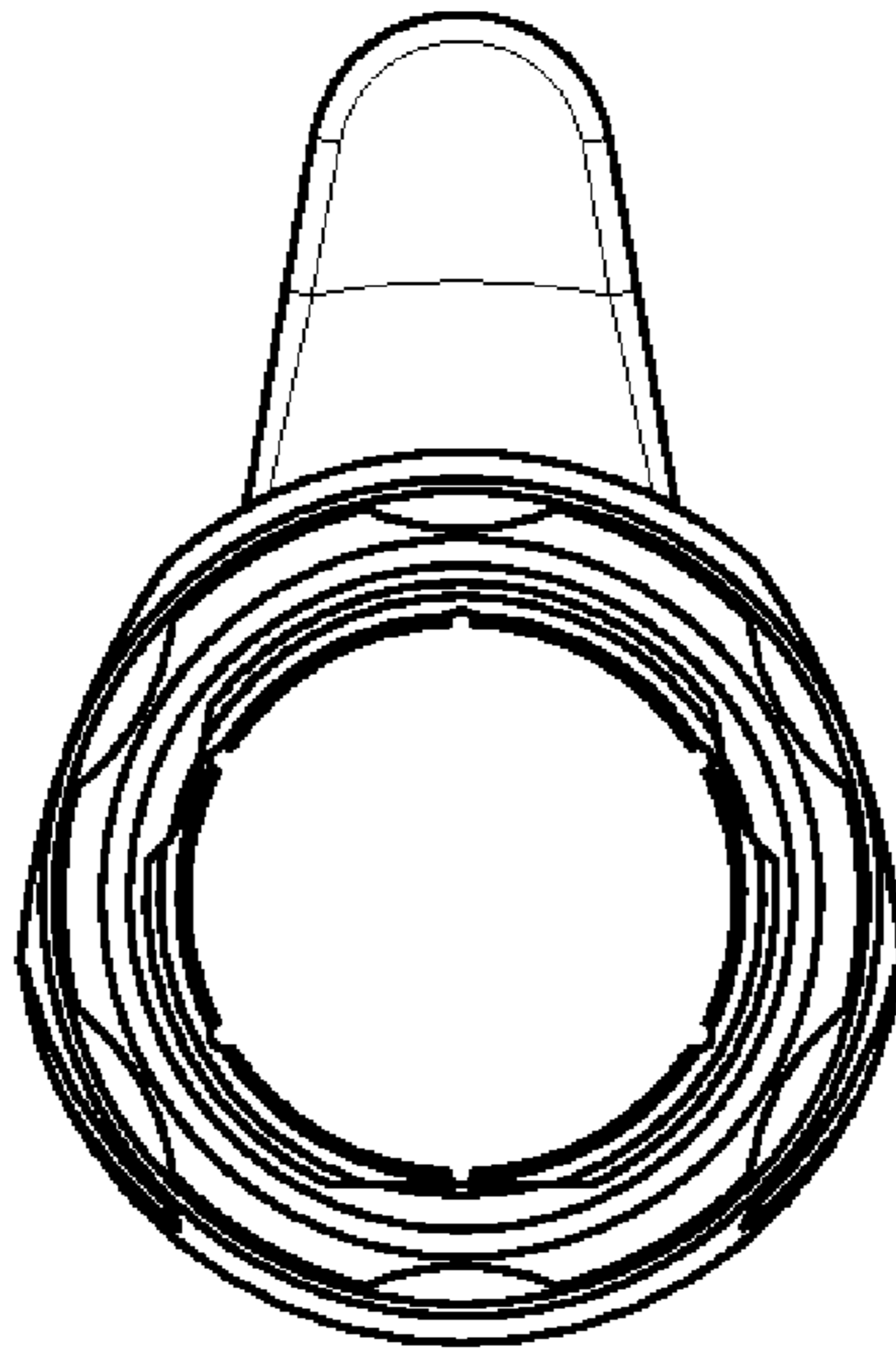


FIG. 2

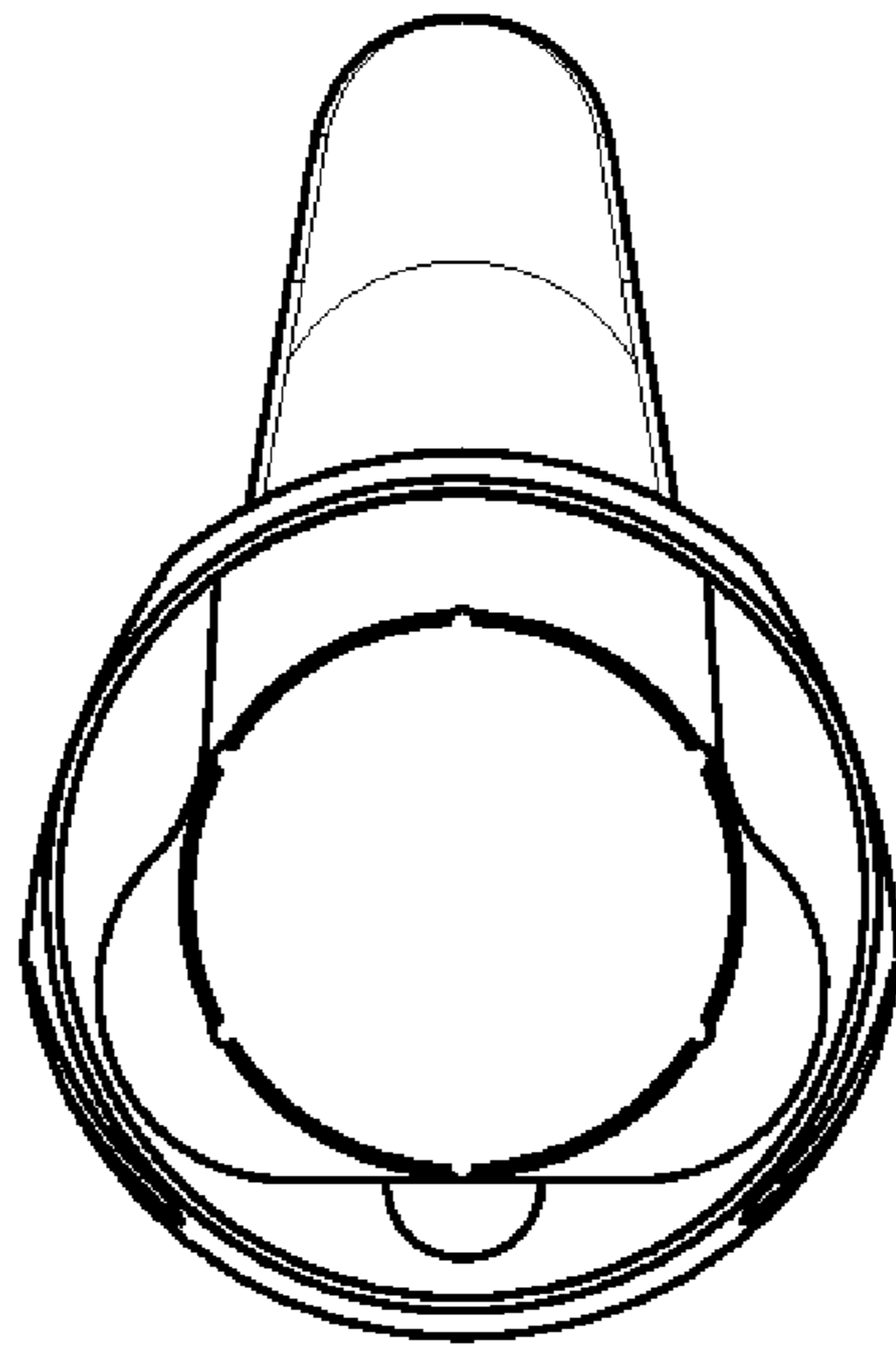


FIG. 3

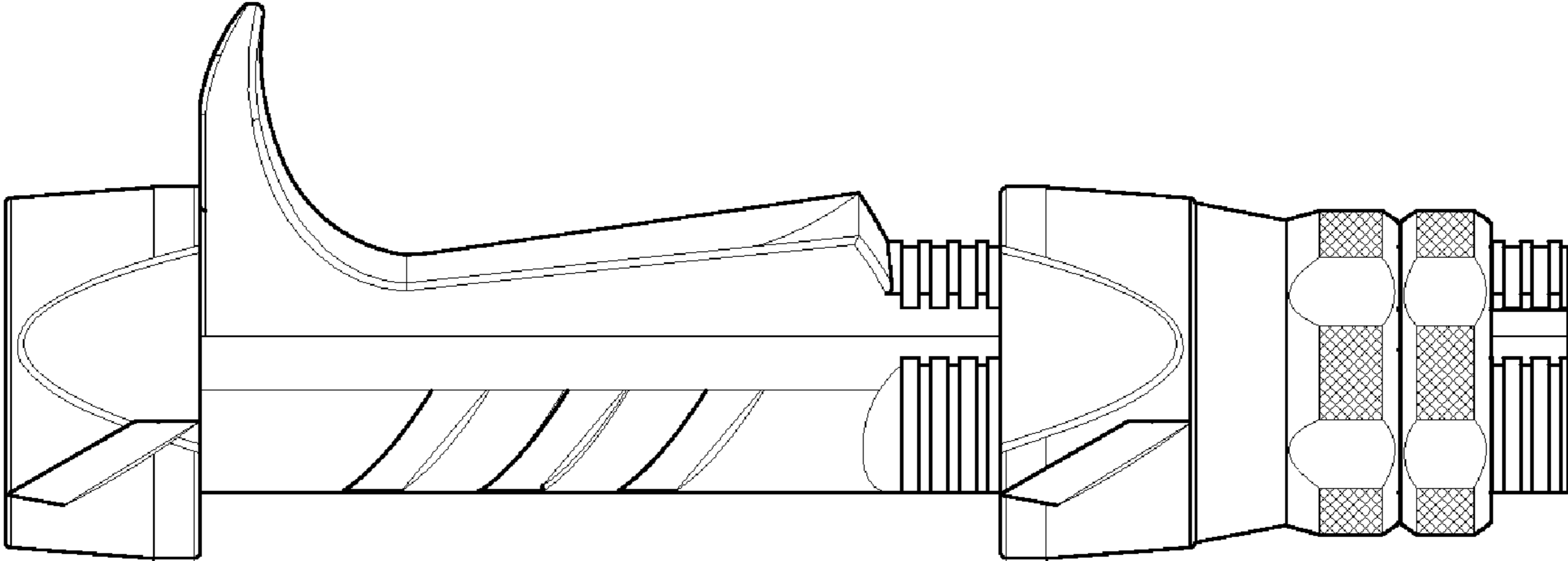
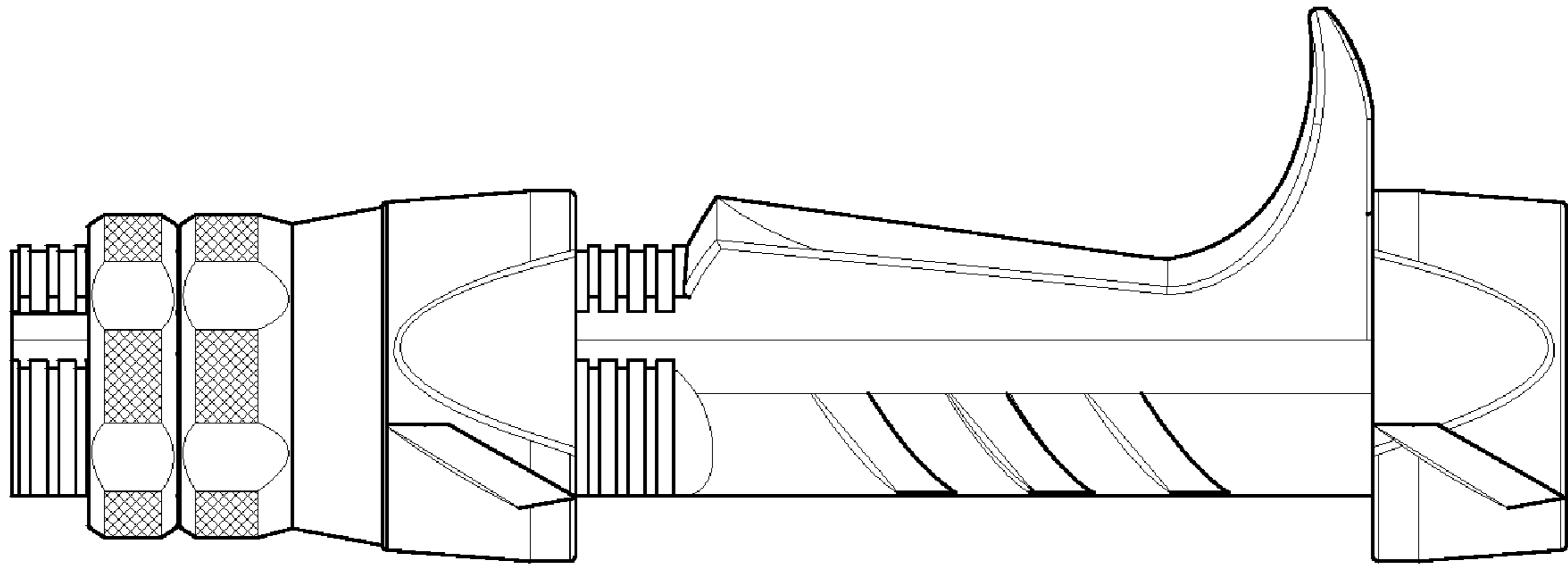
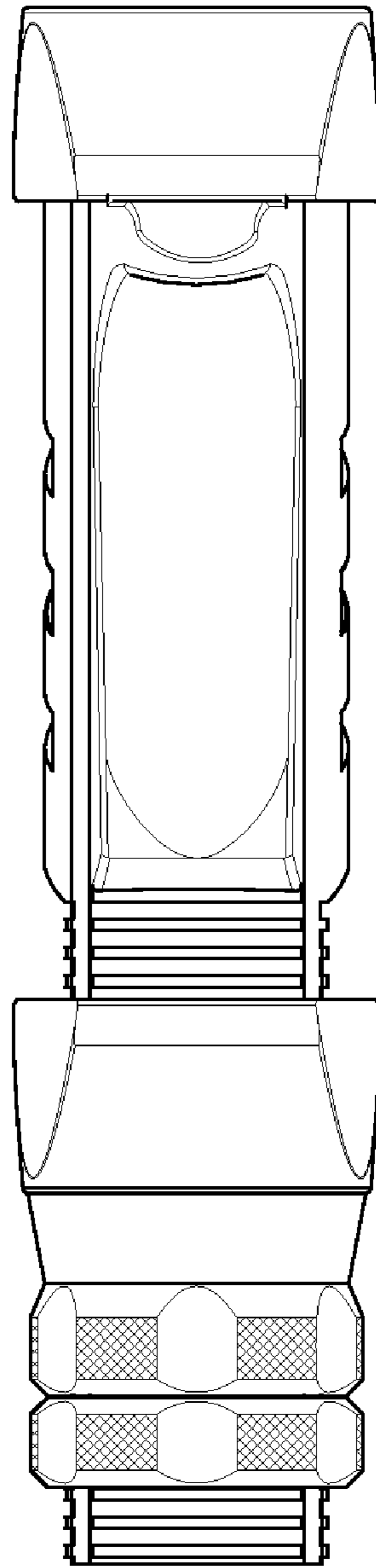


FIG. 4



F I G . 5



F I G . 6

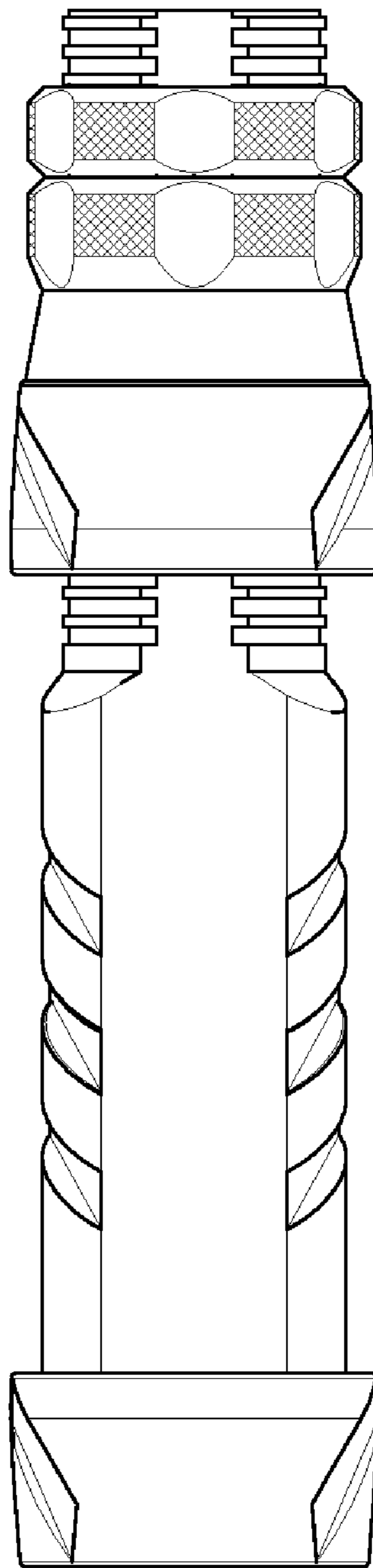


FIG. 7