



US00D613364S

(12) **United States Design Patent**
Koelewyn

(10) **Patent No.:** **US D613,364 S**
(45) **Date of Patent:** **** Apr. 6, 2010**

(54) **SPINNING REEL**

DESCRIPTION

- (75) Inventor: **Robert W. Koelewyn**, Stratford, CT (US)
- (73) Assignee: **ZeeBass, Ltd.**, Stratford, CT (US)
- (**) Term: **14 Years**
- (21) Appl. No.: **29/314,927**
- (22) Filed: **May 8, 2009**
- (51) **LOC (9) Cl.** **22-05**
- (52) **U.S. Cl.** **D22/141**
- (58) **Field of Classification Search** D22/140–141, D22/137–138; 242/310–315, 319, 241
See application file for complete search history.

FIG. 1 is a first perspective view of a first embodiment of a spinning reel of the invention;
 FIG. 2 is a second perspective view of the spinning reel of FIG. 1;
 FIG. 3 is a left side elevation view of the spinning reel of FIG. 1;
 FIG. 4 is a right side elevation view of the spinning reel of FIG. 1;
 FIG. 5 is a front elevation view of the spinning reel of FIG. 1;
 FIG. 6 is a rear elevation view of the spinning reel of FIG. 1;
 FIG. 7 is a top view of the spinning reel of FIG. 1;
 FIG. 8 is a bottom view of the spinning reel of FIG. 1;
 FIG. 9 is a first perspective view of a second embodiment of a spinning reel of the invention;
 FIG. 10 is a second perspective view of the spinning reel of FIG. 9;
 FIG. 11 is a left side elevation view of the spinning reel of FIG. 9;
 FIG. 12 is a right side elevation view of the spinning reel of FIG. 9;
 FIG. 13 is a front elevation view of the spinning reel of FIG. 9;
 FIG. 14 is a rear elevation view of the spinning reel of FIG. 9;
 FIG. 15 is a top view of the spinning reel of FIG. 9; and,
 FIG. 16 is a bottom view of the spinning reel of FIG. 9.
 The break lines are for illustrative purposes and form no part of the claimed design.

(56) **References Cited**

U.S. PATENT DOCUMENTS

D497,969 S *	11/2004	Iwabuchi	D22/141
D505,991 S *	6/2005	Iwabuchi et al.	D22/141
7,118,059 B2 *	10/2006	Morise	242/311
D595,386 S *	6/2009	Nago	D22/141

* cited by examiner

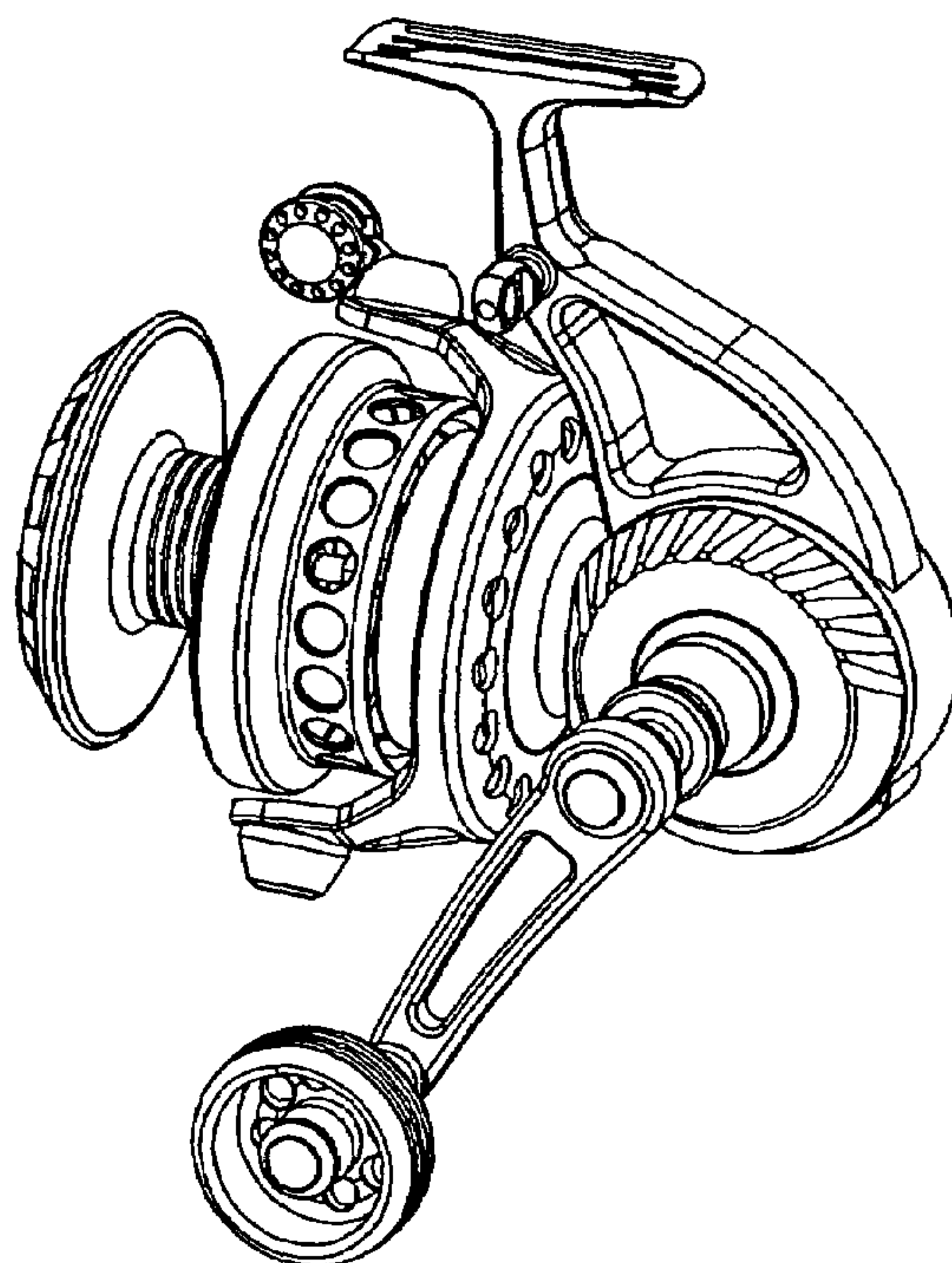
Primary Examiner—Catherine R Oliver

(74) *Attorney, Agent, or Firm*—Ware, Fressola, Van Der Sluys & Adolphson, LLP

(57) **CLAIM**

The ornamental design for a spinning reel, as shown and described.

1 Claim, 12 Drawing Sheets



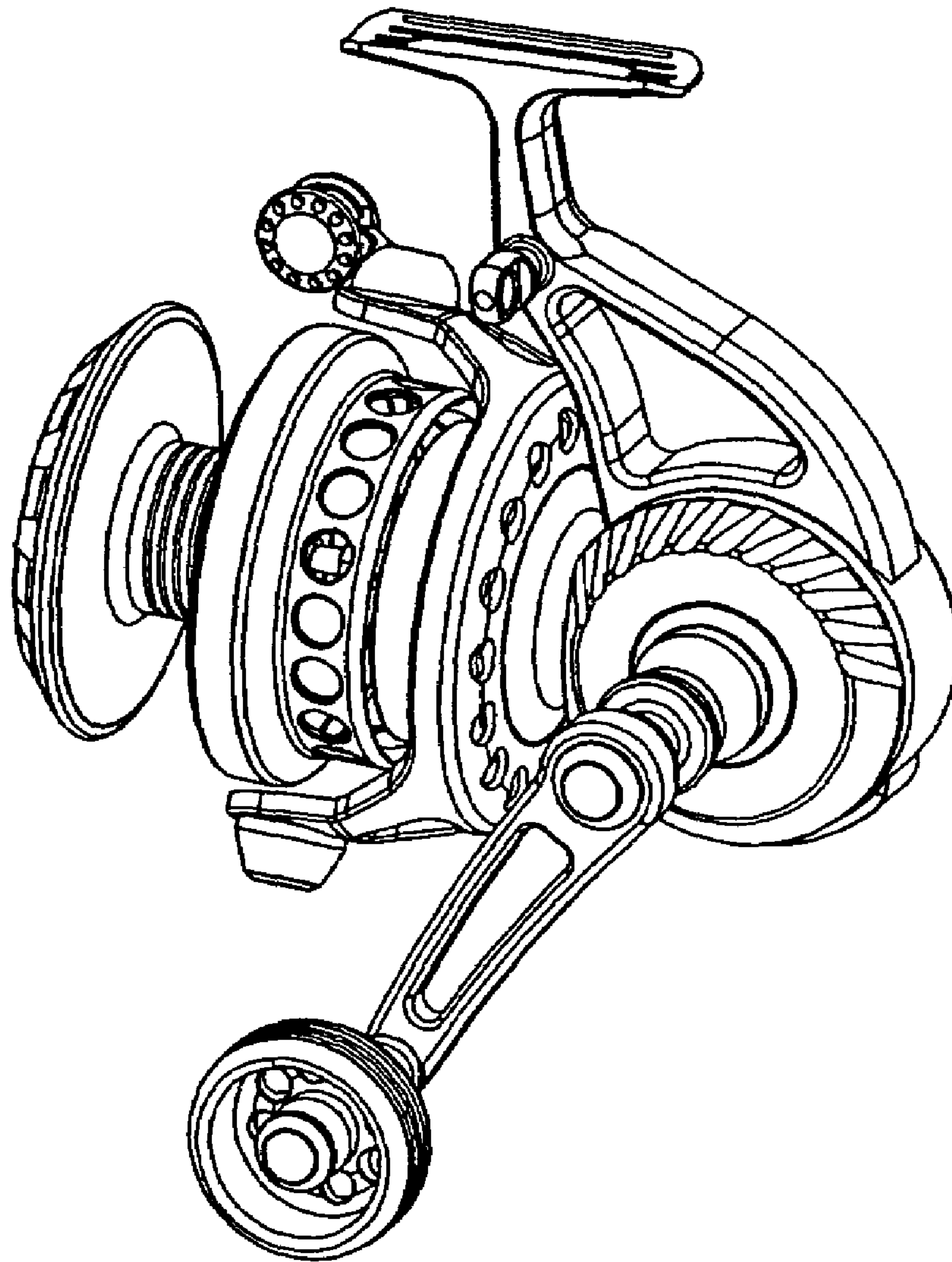


FIG. 1

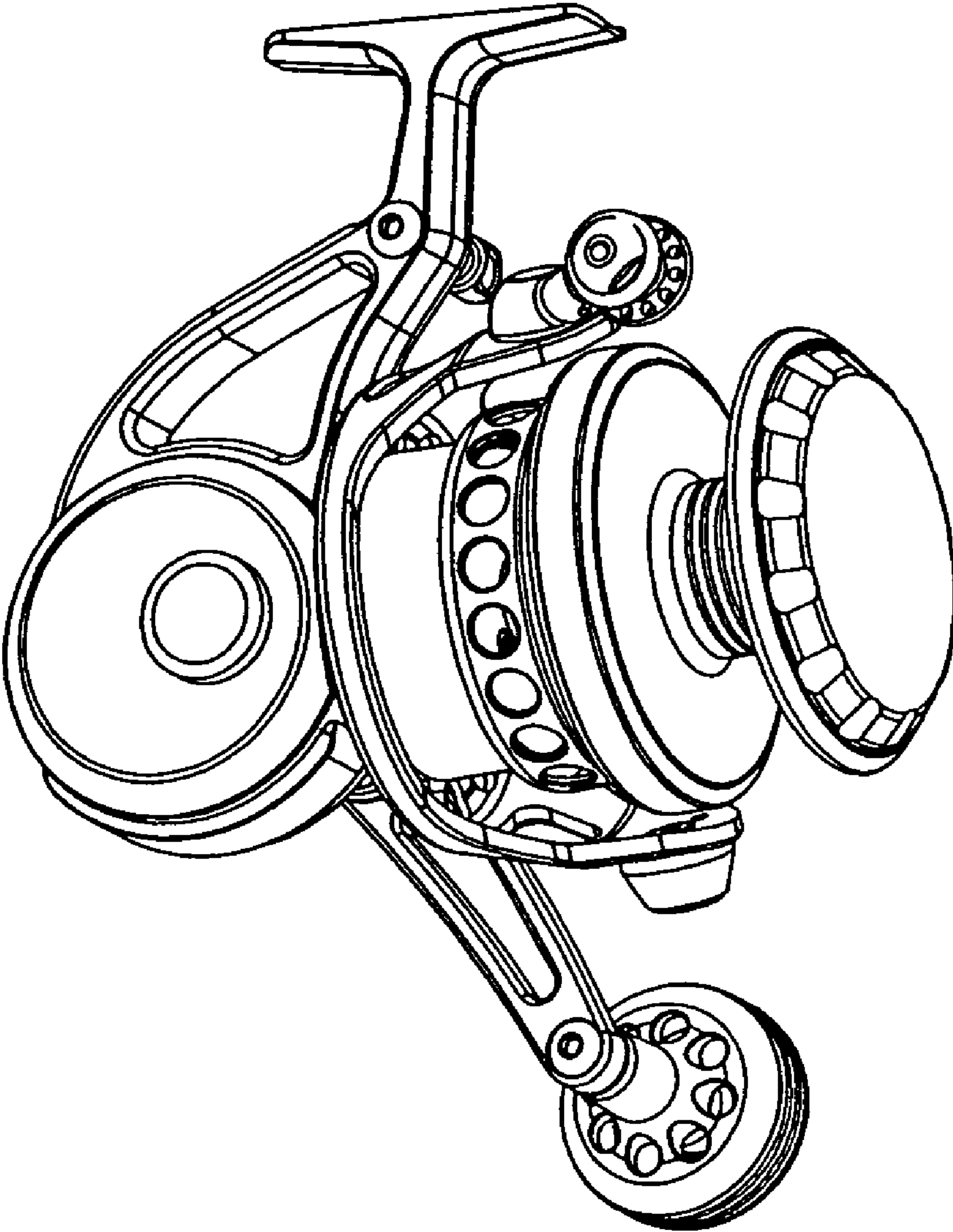


FIG. 2

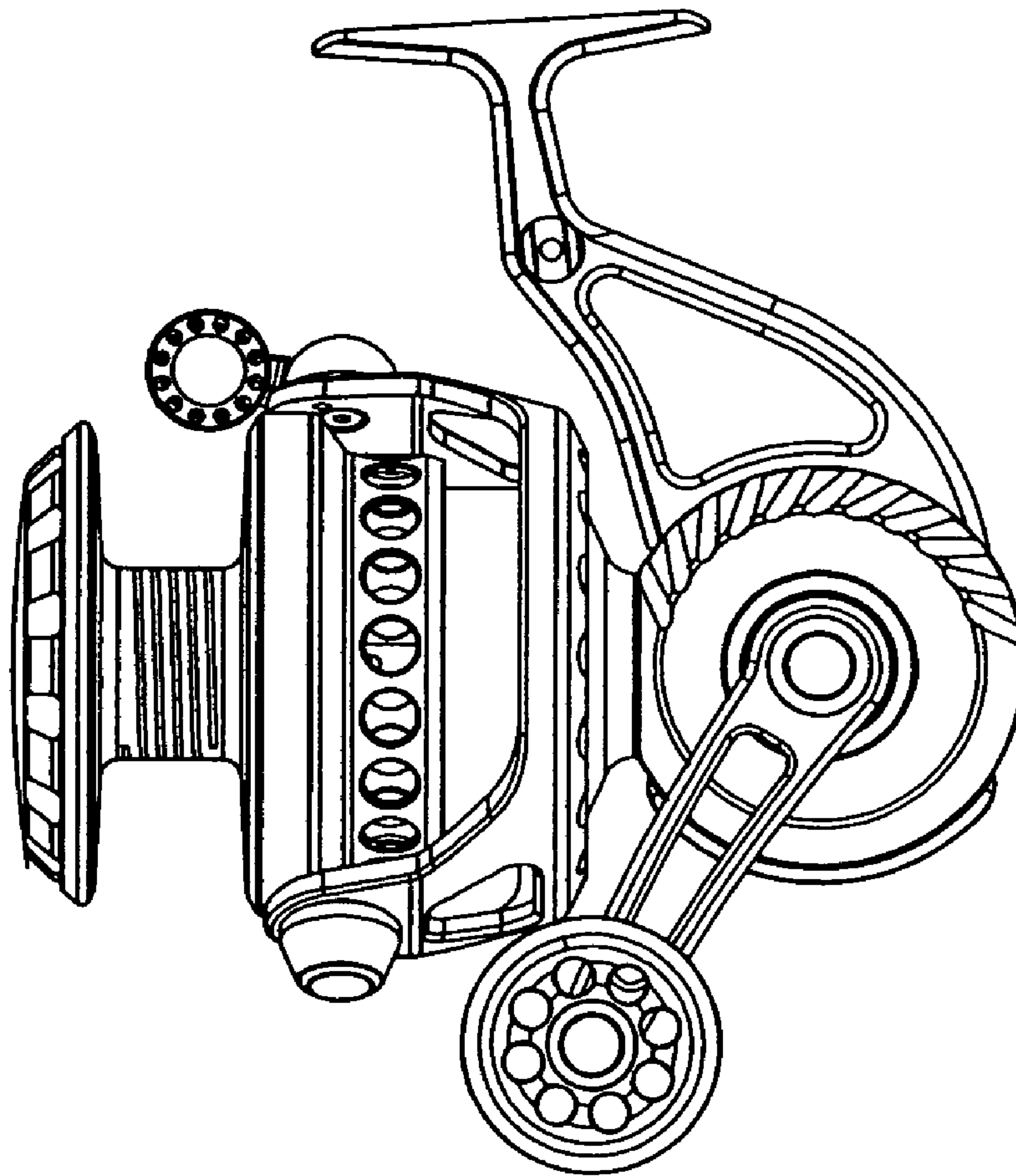


FIG. 3

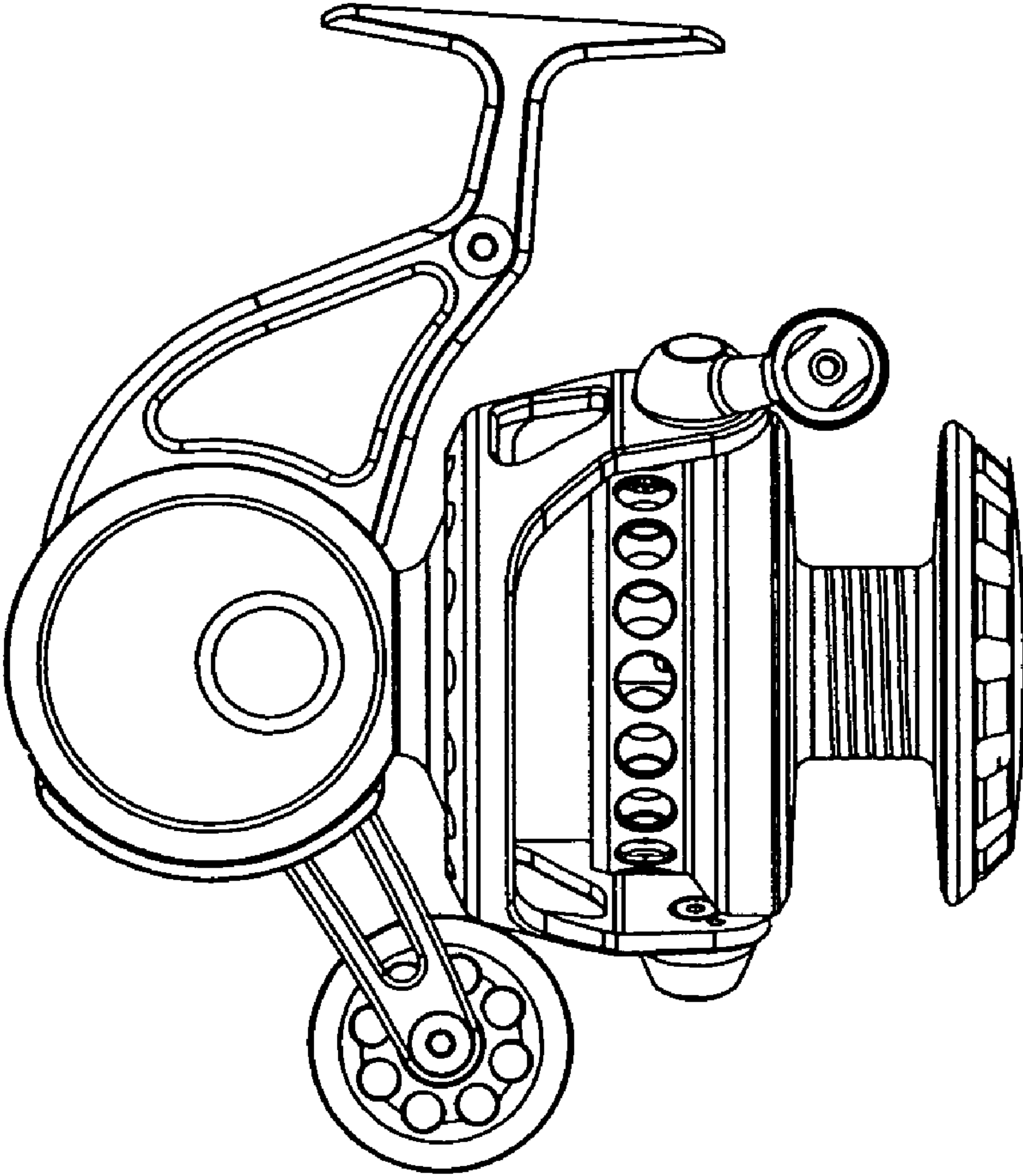


FIG. 4

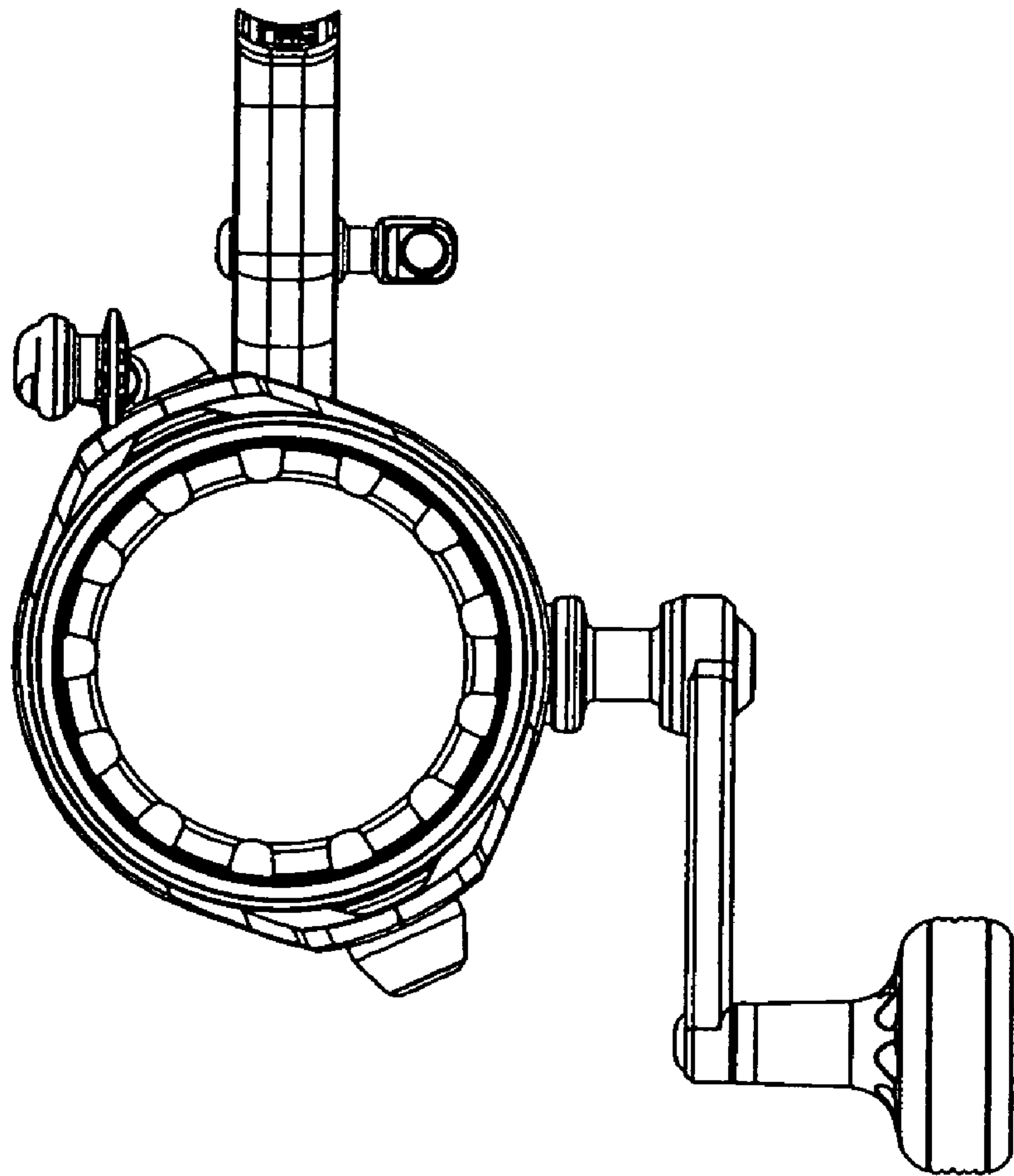


FIG. 5

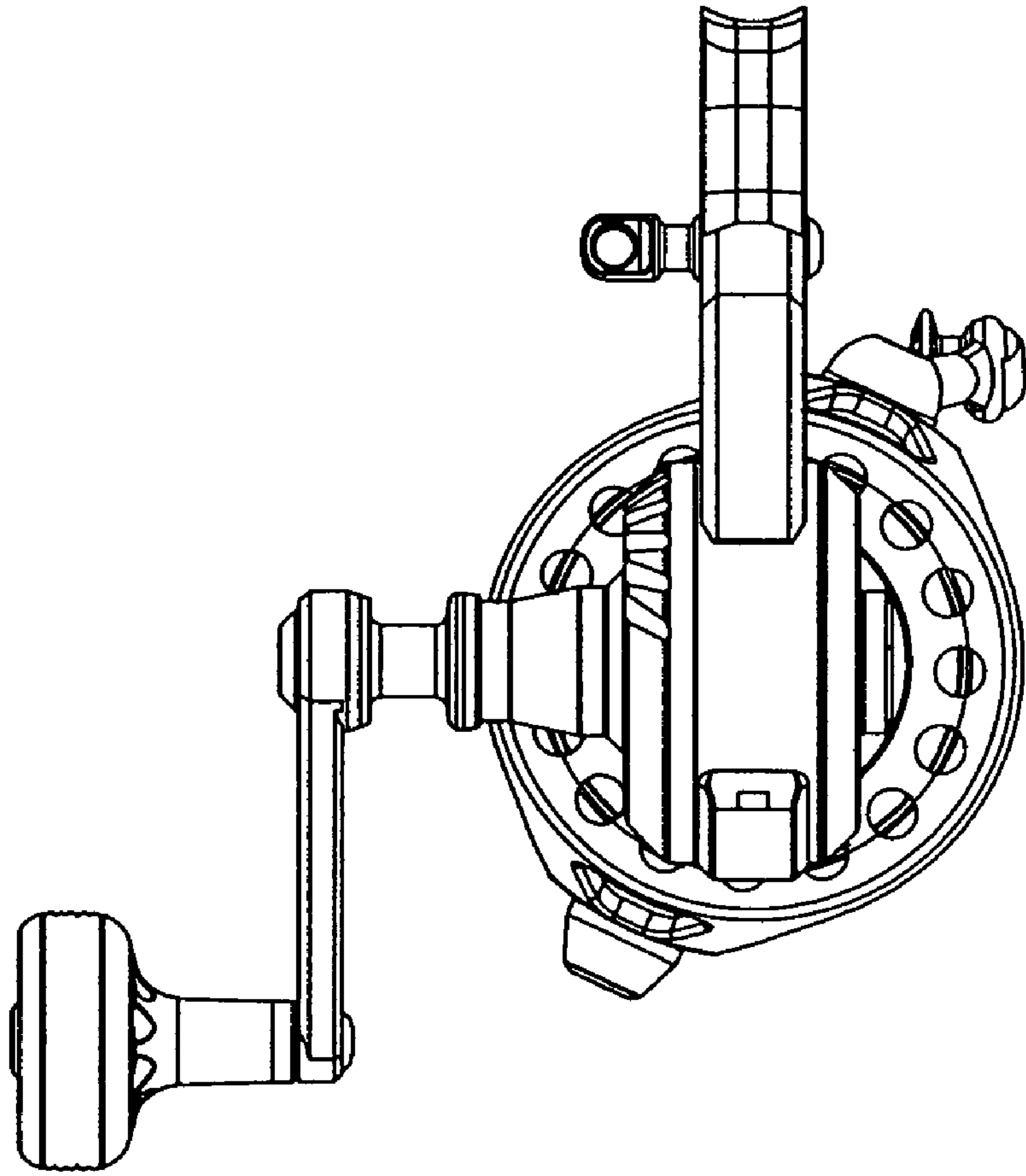


FIG. 6

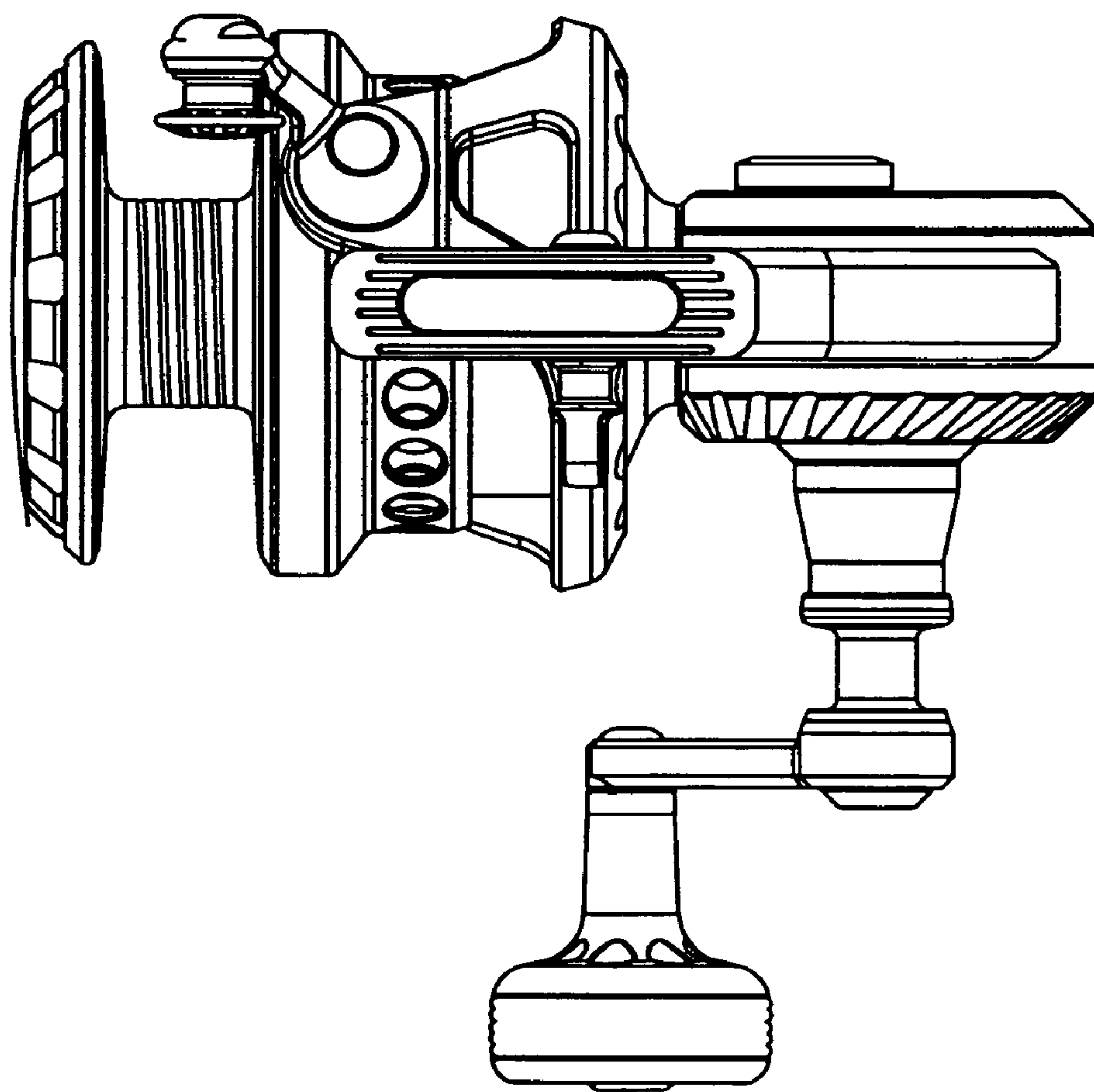


FIG. 7

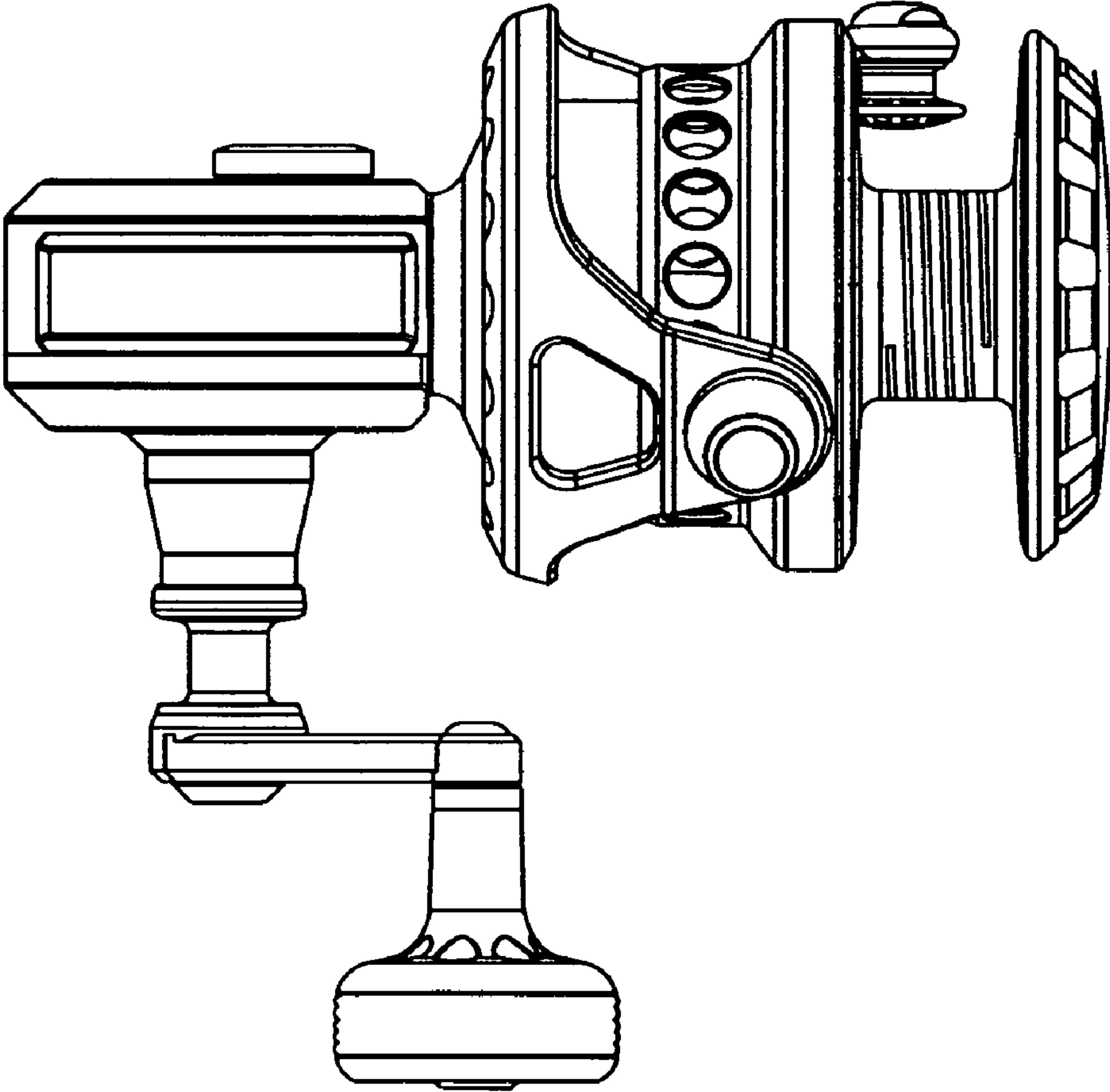


FIG. 8

FIG. 9

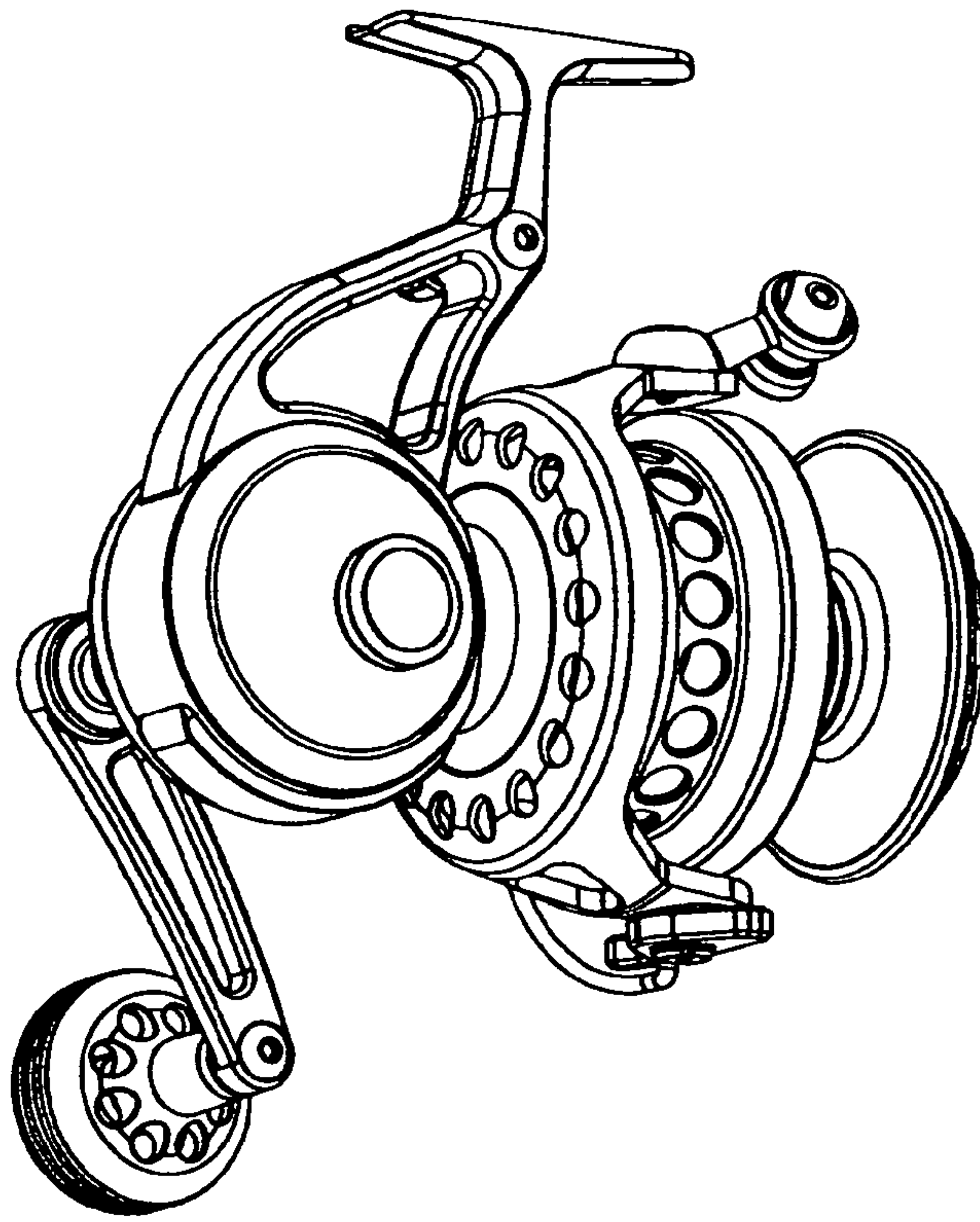


FIG. 10

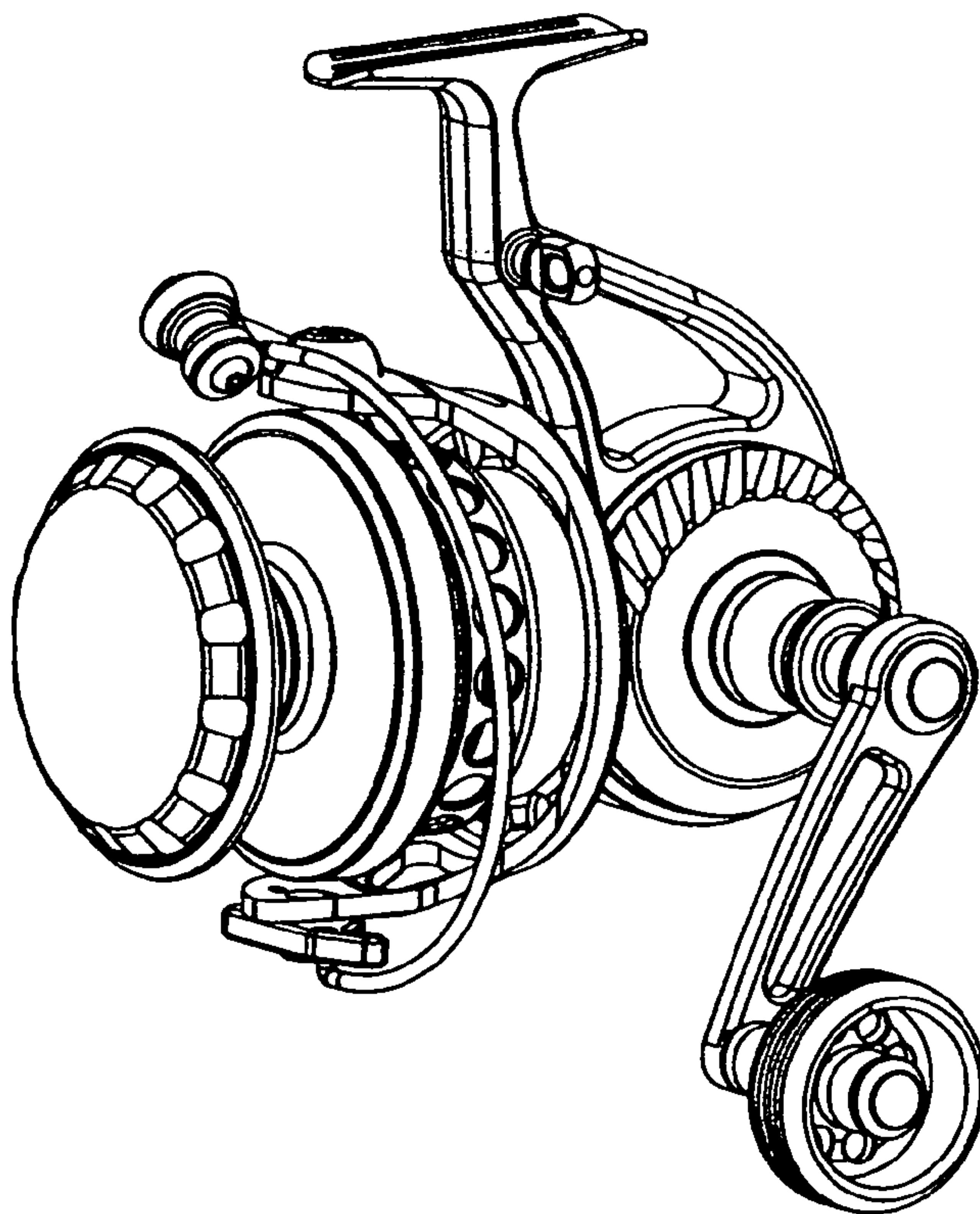


FIG. 11

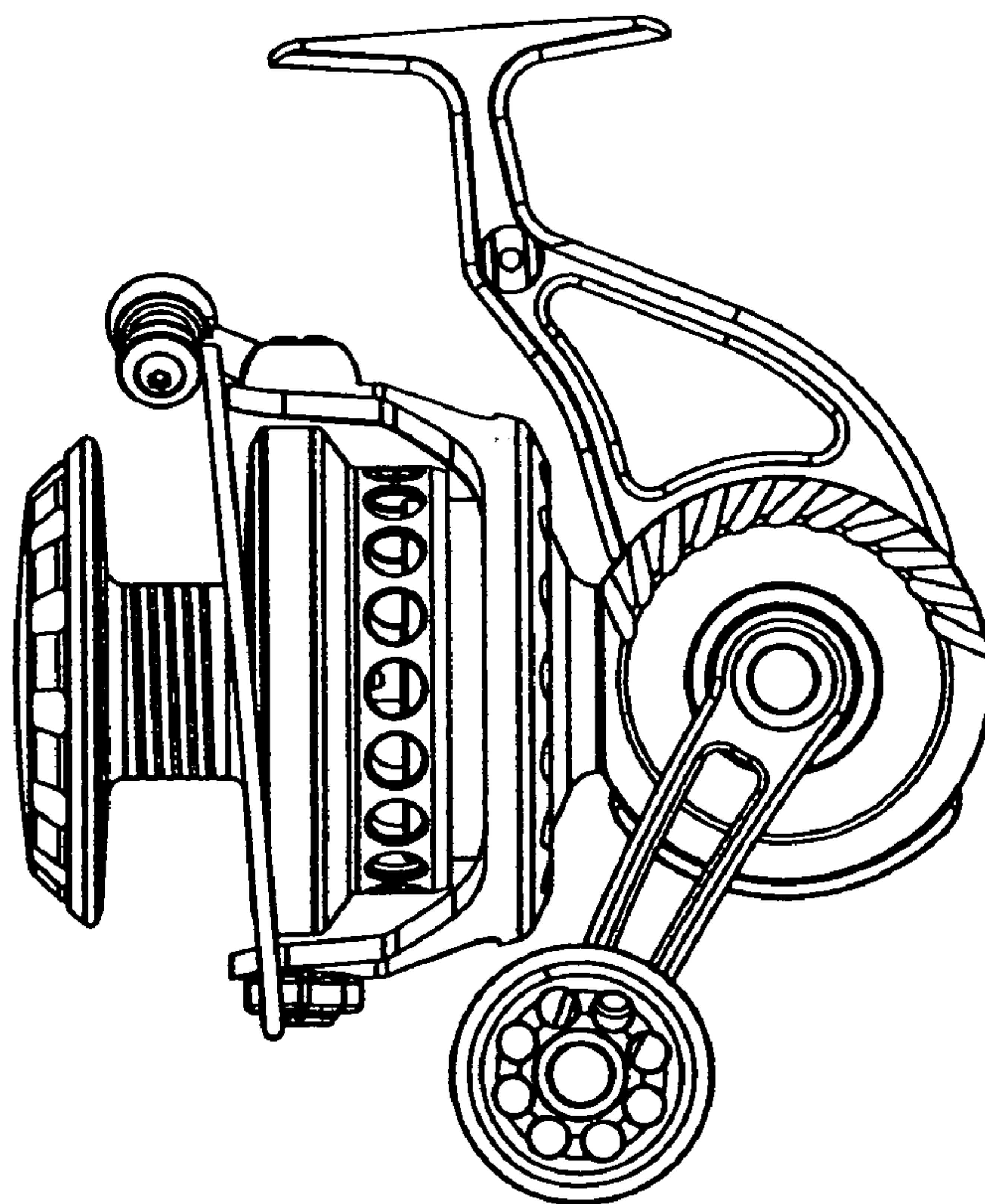


FIG. 12

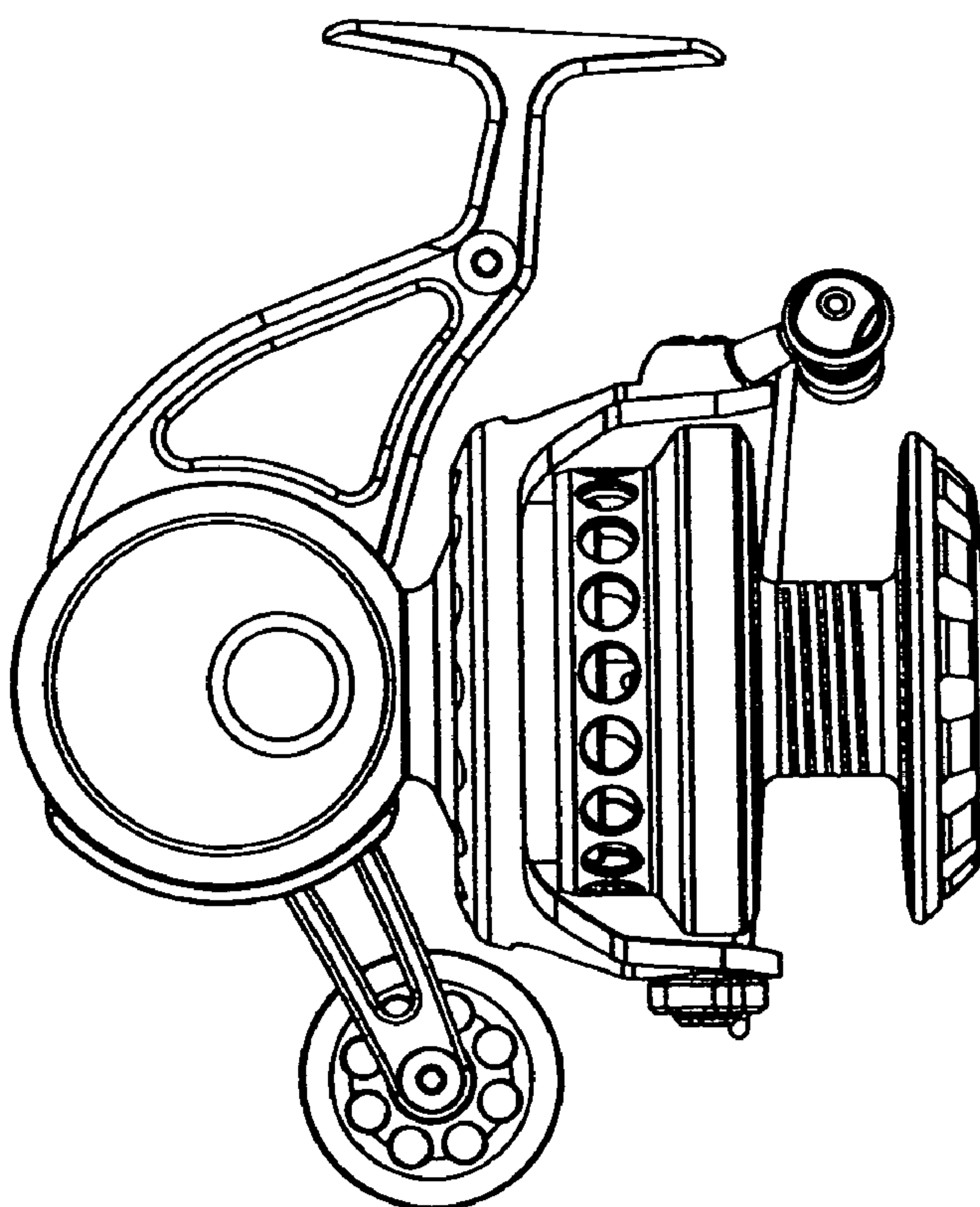


FIG. 13

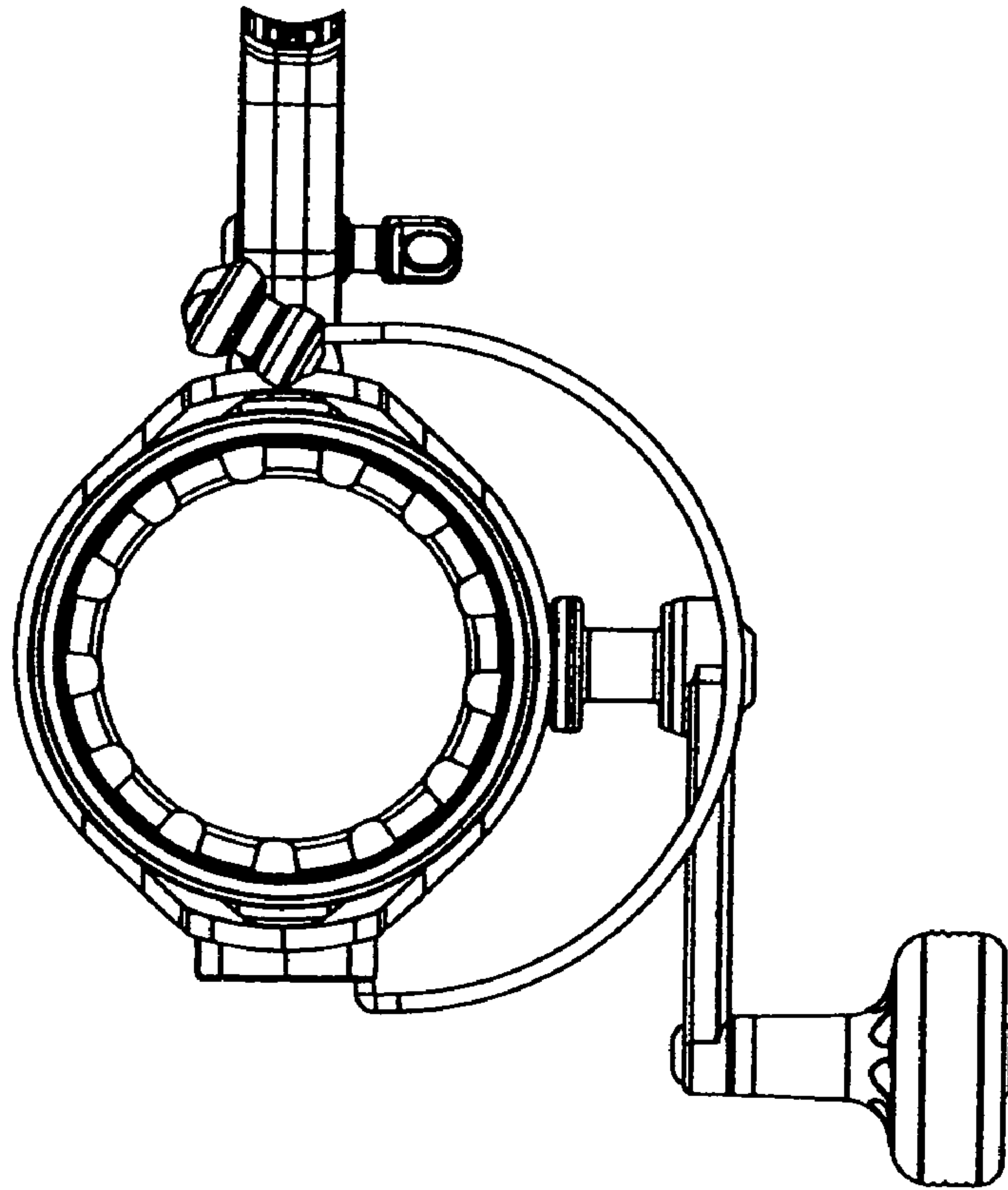


FIG. 14

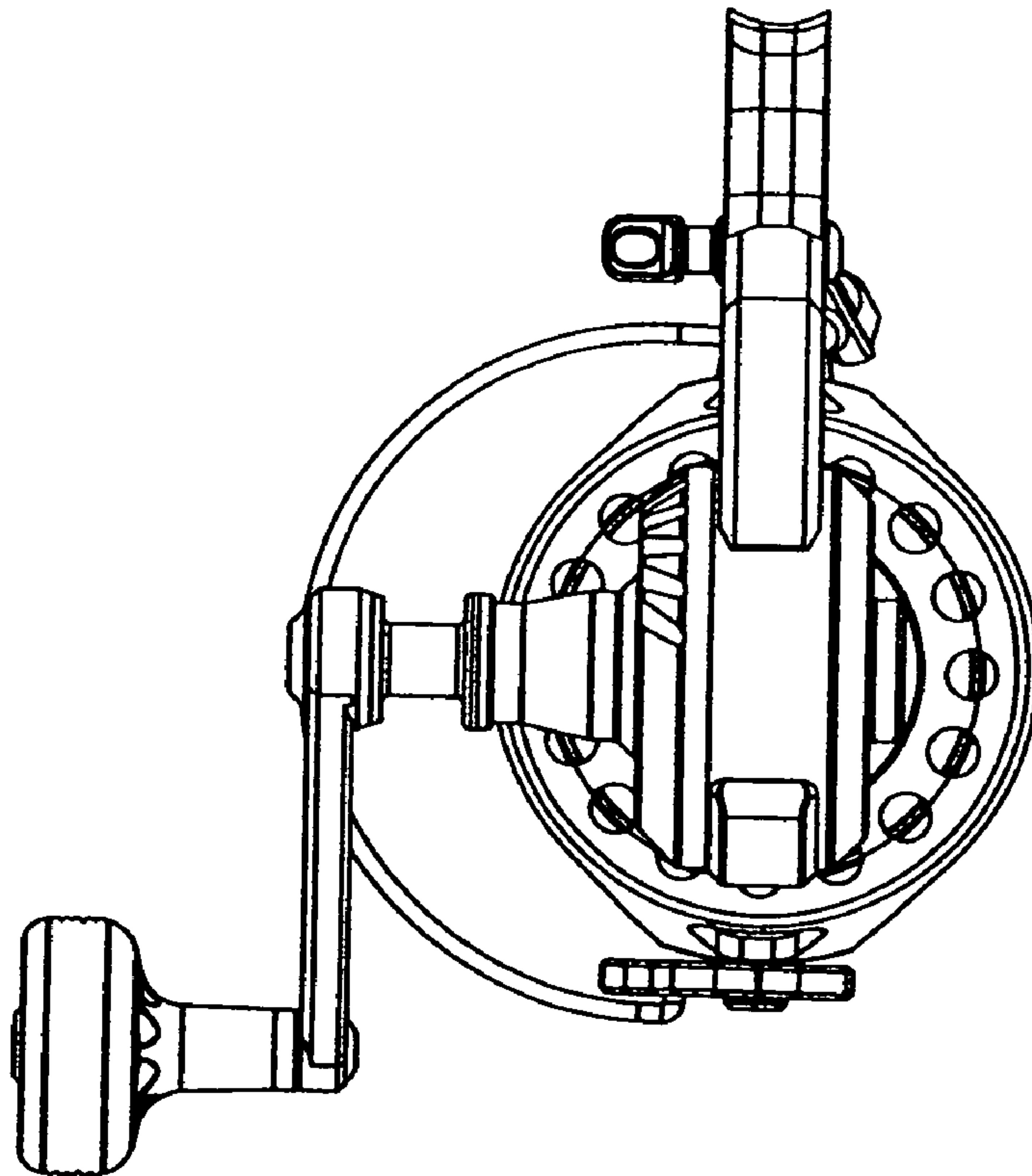


FIG. 15

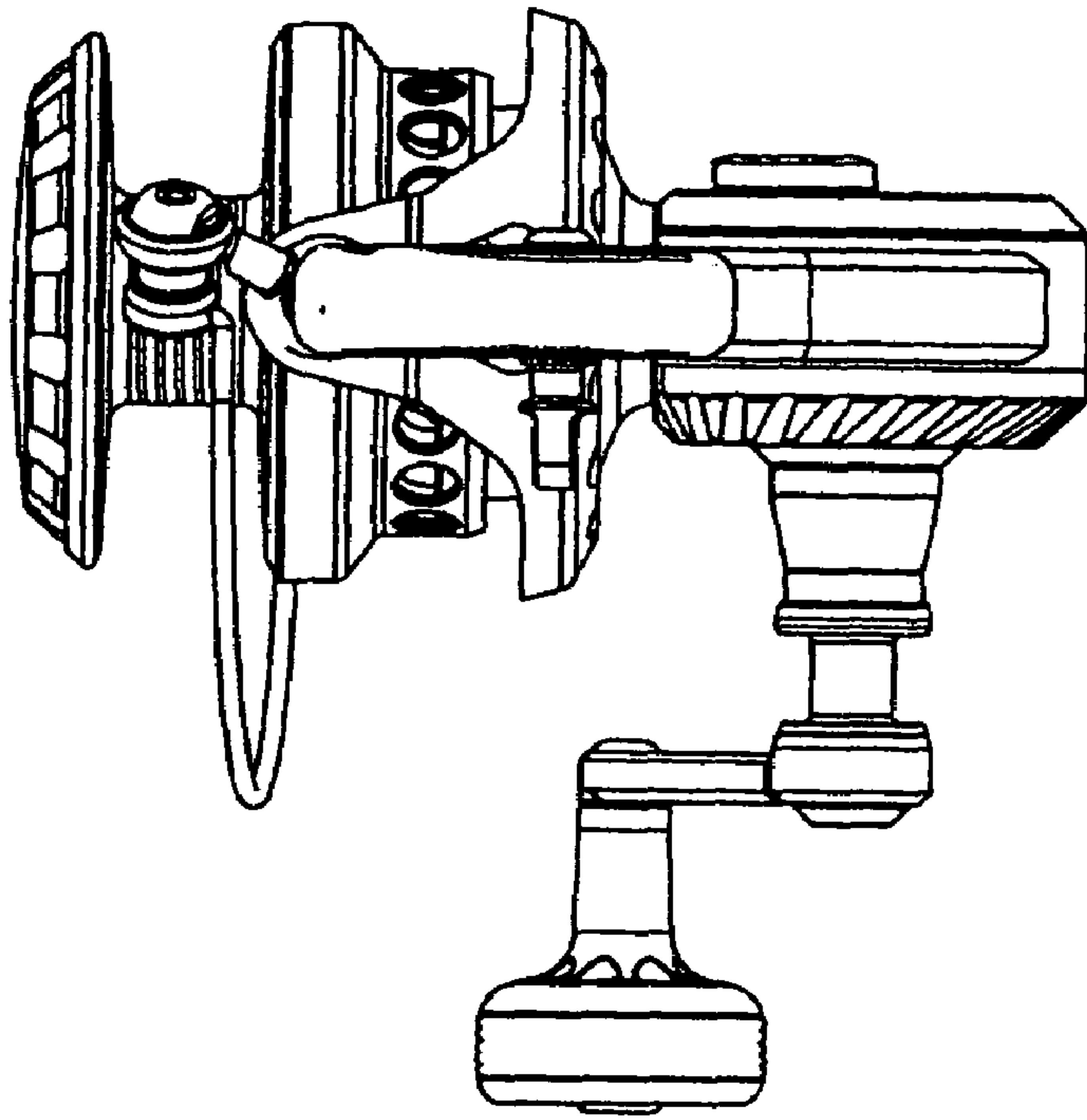


FIG. 16

