



US00D613361S

(12) **United States Design Patent**
Peterson et al.

(10) **Patent No.:** **US D613,361 S**

(45) **Date of Patent:** **** Apr. 6, 2010**

(54) **LOWER RECEIVER FOR MODULAR TACTICAL FIREARMS**

(75) Inventors: **Morris Peterson**, Earlysville, VA (US); **Matthew Peterson**, Crozet, VA (US); **Gary Vance**, Bristol, VA (US); **William McCormick**, Bluff City, TN (US); **Charles Robert Overbey, Jr.**, Deland, FL (US)

(73) Assignee: **Ashbury International Group, Inc.**, Charlottesville, VA (US)

(**) Term: **14 Years**

(21) Appl. No.: **29/339,705**

(22) Filed: **Jul. 6, 2009**

Related U.S. Application Data

(63) Continuation-in-part of application No. 12/251,384, filed on Oct. 14, 2008.

(51) **LOC (9) Cl.** **22-01**

(52) **U.S. Cl.** **D22/108**

(58) **Field of Classification Search** D22/100, D22/101, 103, 104, 108, 199; D21/572, D21/573; 42/51, 71.01, 75.01, 75.02, 90, 42/94, 134, 136, 139, 125, 72, 111; 362/110; 33/241, 277; 313/105 R; 89/40.06, 41.19, 89/37.04, 33.04, 191.01, 200-204; 124/67, 124/66, 74

See application file for complete search history.

(56) **References Cited**

U.S. PATENT DOCUMENTS

6,598,330	B2 *	7/2003	Garrett et al.	42/85
7,428,795	B2 *	9/2008	Herring	42/75.01
2003/0110675	A1 *	6/2003	Garrett et al.	42/85
2004/0000083	A1 *	1/2004	Grant, Jr.	42/112
2005/0000142	A1 *	1/2005	Kim et al.	42/124
2005/0183317	A1 *	8/2005	Finn	42/72
2006/0283067	A1 *	12/2006	Herring	42/75.01
2007/0130817	A1 *	6/2007	Ballard	42/118

* cited by examiner

Primary Examiner—T. Chase Nelson

Assistant Examiner—Michael A Pratt

(74) *Attorney, Agent, or Firm*—Troutman Sanders LLP; James H. Yancey, Jr.

(57) **CLAIM**

The ornamental design for a lower receiver for modular tactical firearms, as shown and described.

DESCRIPTION

FIG. 1 illustrates a perspective, side view of a new design for a lower receiver for modular tactical firearms depicting a modular lower receiver for use with various barreled actions;

FIG. 2 illustrates a side view of a new design for a lower receiver for modular tactical firearms depicting a modular lower receiver for use with various barreled actions;

FIG. 3 illustrates a top view of a new design for a lower receiver for modular tactical firearms depicting a modular lower receiver for use with various barreled actions;

FIG. 4 illustrates a side view of a new design for a lower receiver for modular tactical firearms depicting a modular lower receiver for use with various barreled actions;

FIG. 5 illustrates a bottom view of a new design for a lower receiver for modular tactical firearms depicting a modular lower receiver for use with various barreled actions;

FIG. 6 illustrates a left elevation view of a new design for a lower receiver for modular tactical firearms depicting a modular lower receiver for use with various barreled actions;

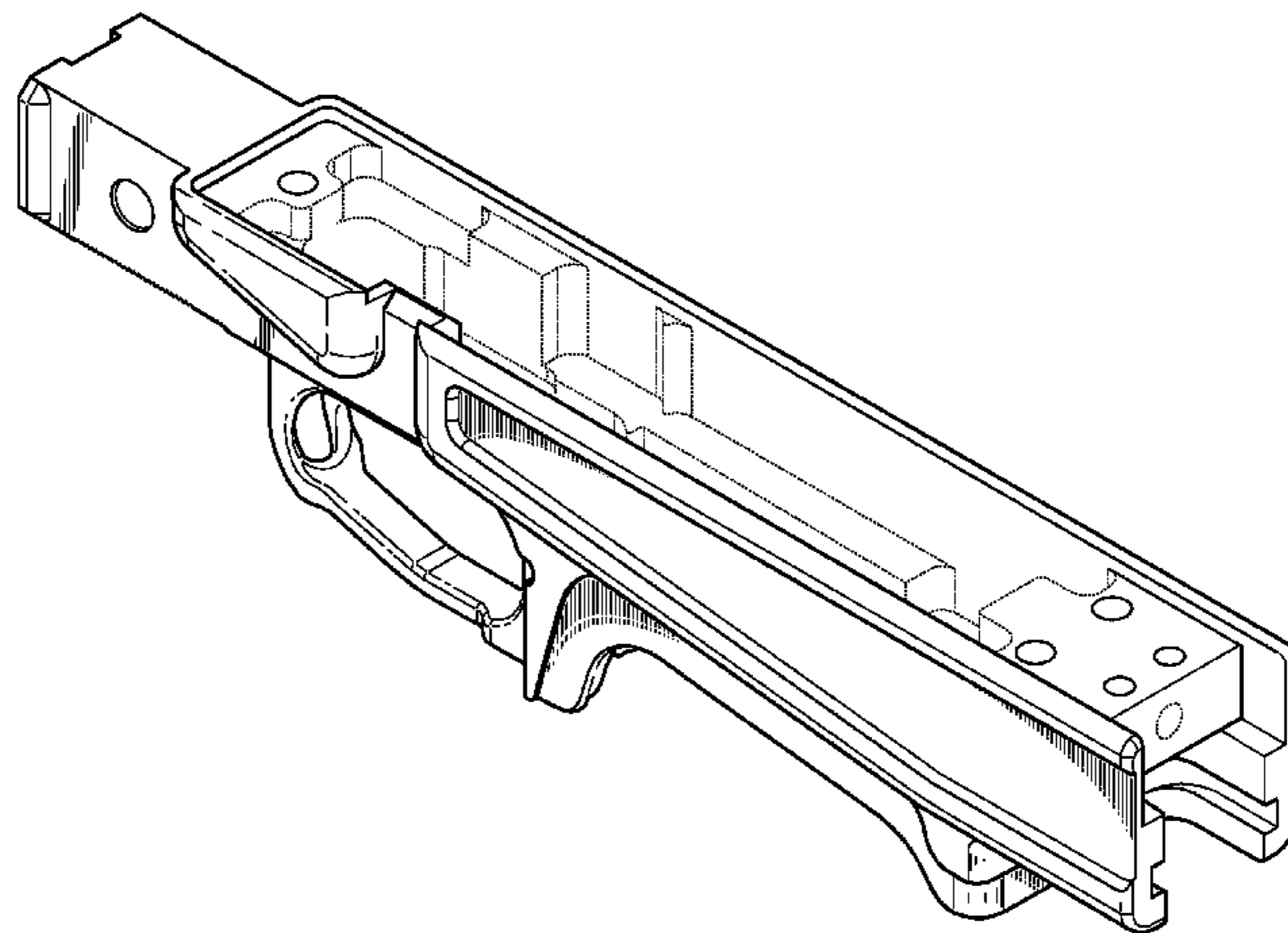
FIG. 7 illustrates a right elevation view of a new design for a lower receiver for modular tactical firearms depicting a modular lower receiver for use with various barreled actions;

FIG. 8 illustrates a perspective, side view of a new design for a lower receiver for modular tactical firearms depicting a modular lower receiver for use with various barreled actions; and,

FIG. 9 illustrates a side view of a new design for a lower receiver for modular tactical firearms depicting a modular lower receiver for use with various barreled actions.

The broken, dashed lines shown in the various figures depicting embodiments of the invention are included for the purpose of illustrating context and do not form any part of the claimed design.

1 Claim, 6 Drawing Sheets



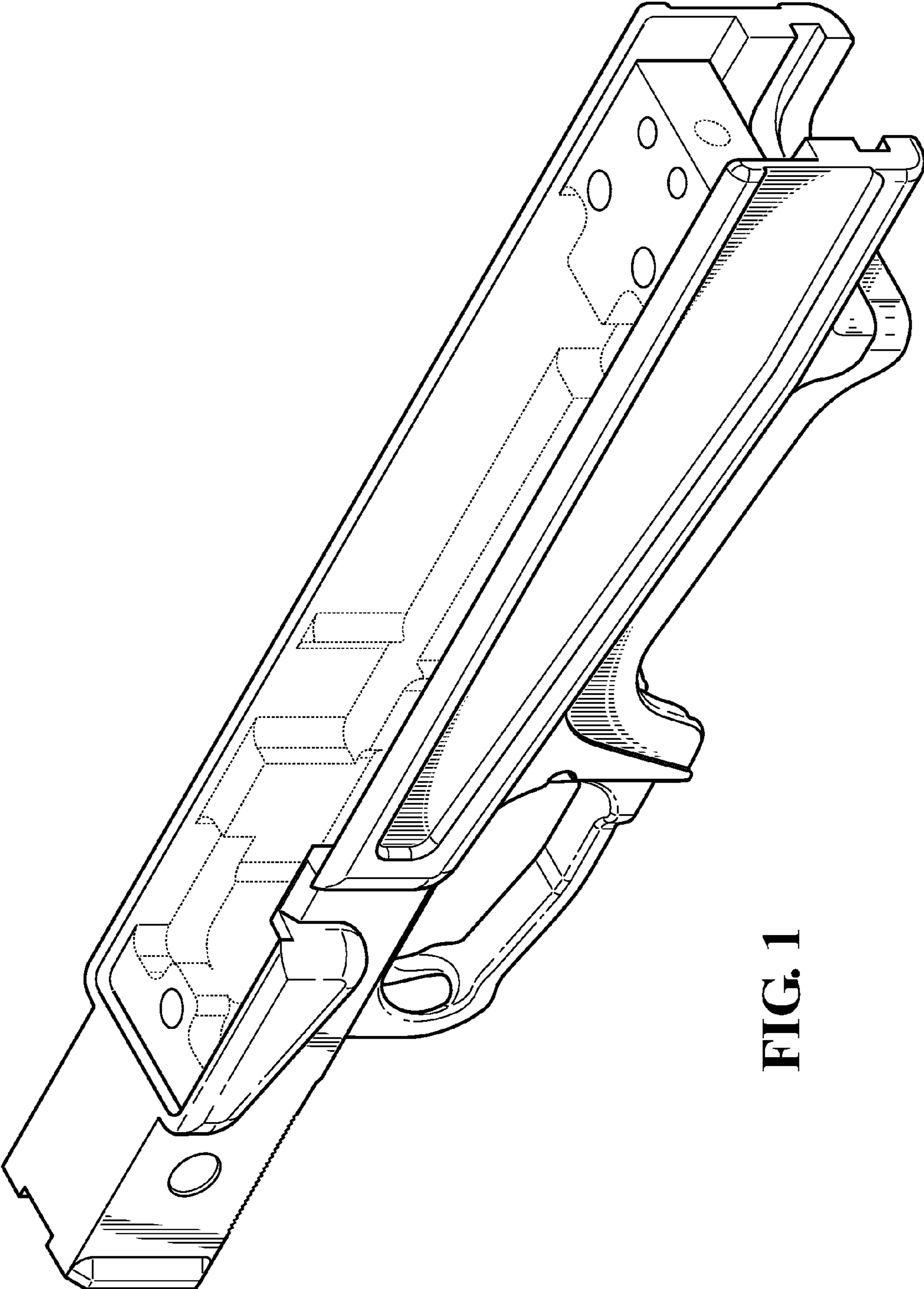


FIG. 1

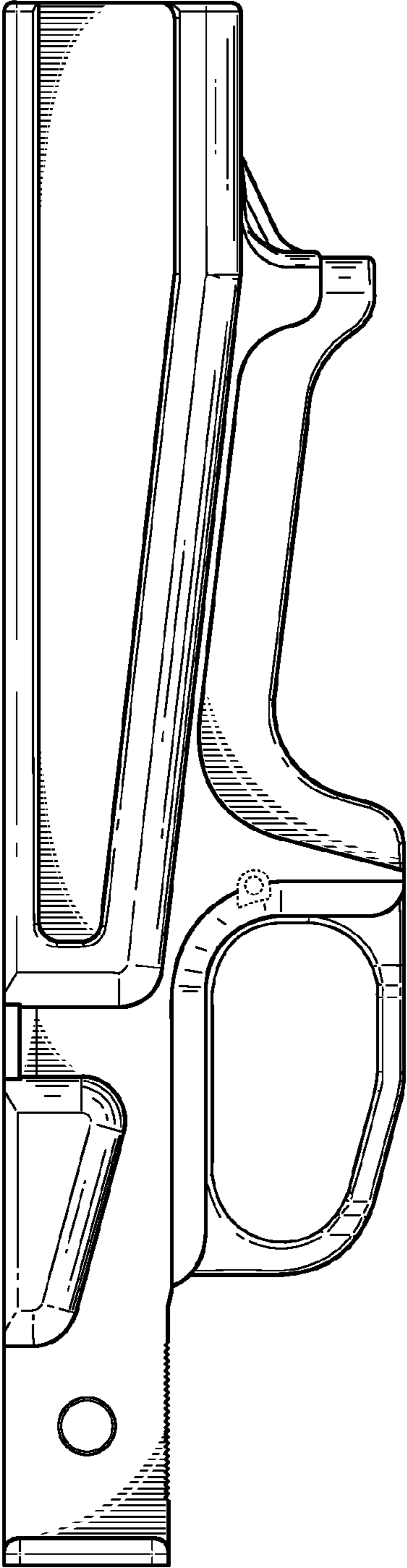


FIG. 2

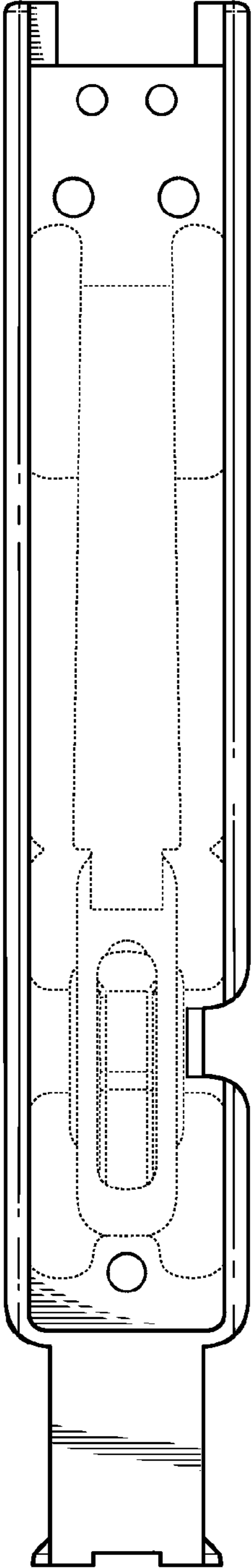


FIG. 3

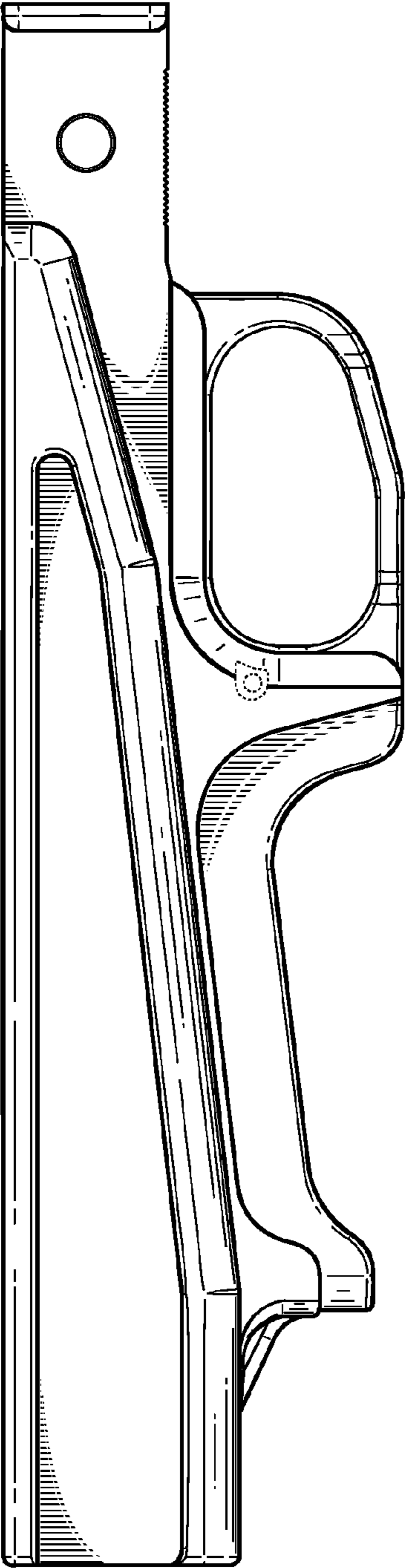


FIG. 4

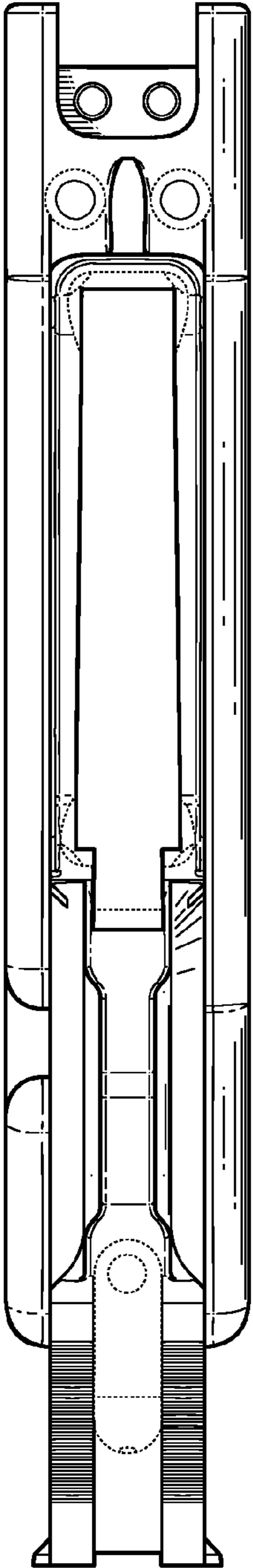


FIG. 5

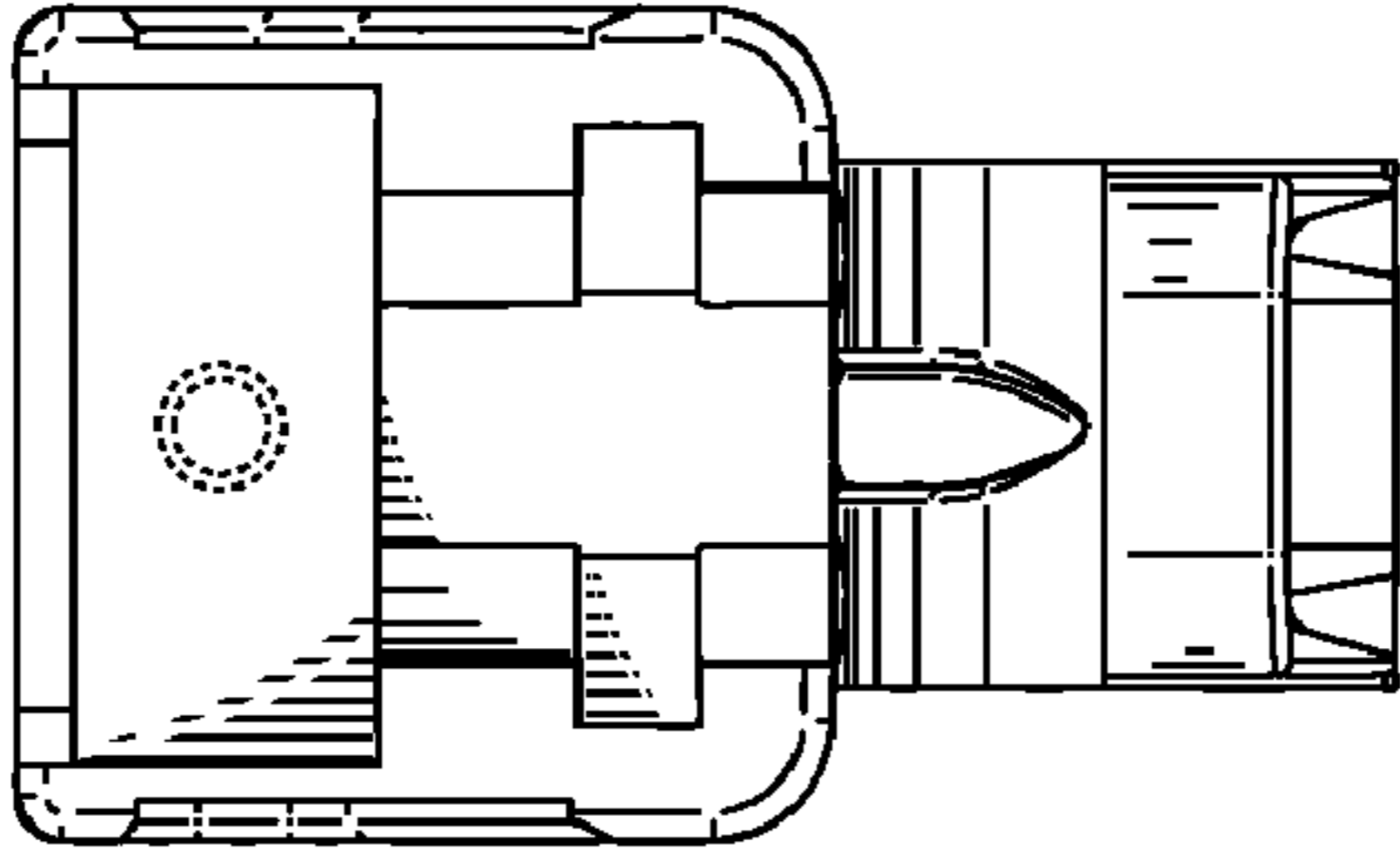


FIG. 7

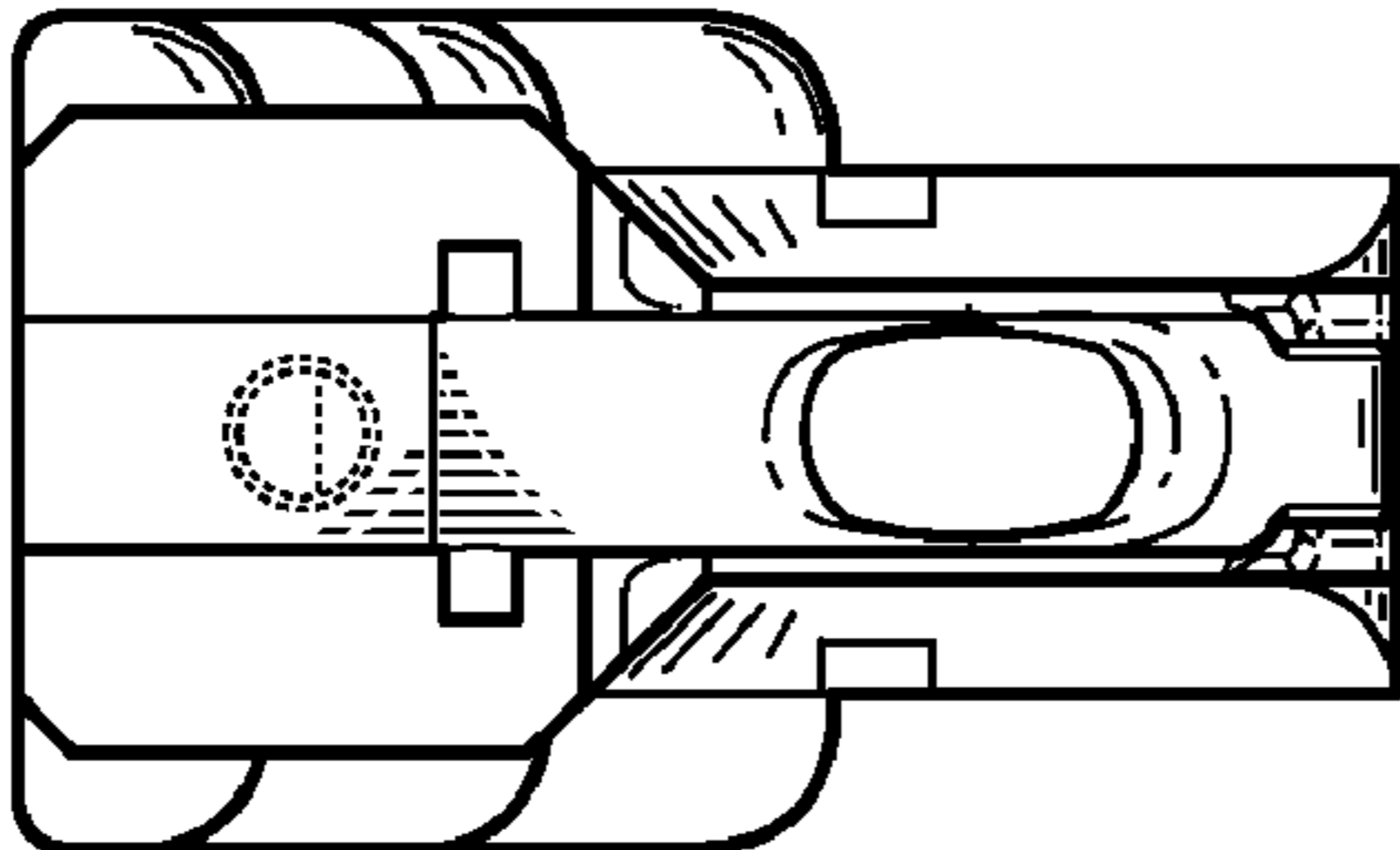


FIG. 6

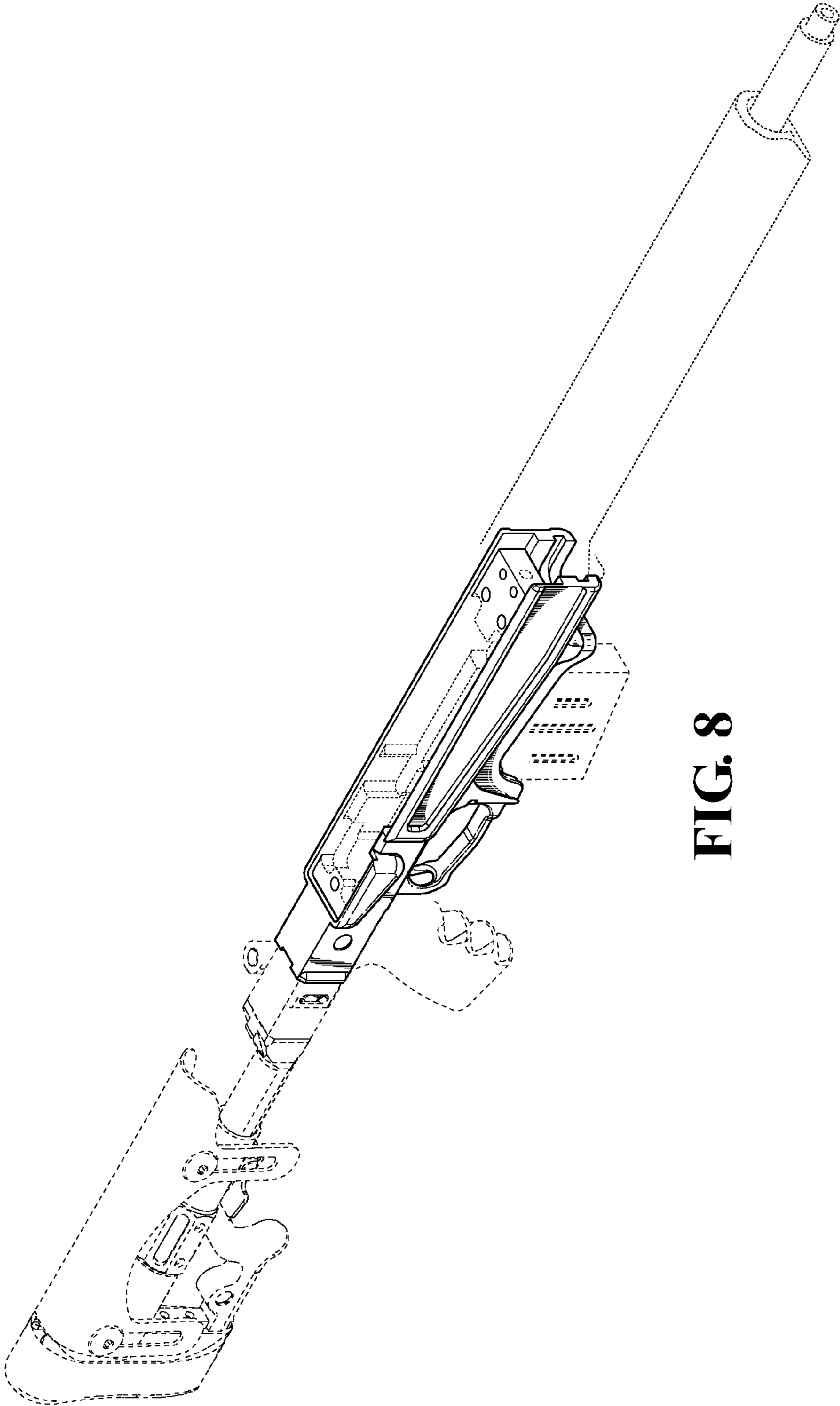


FIG. 8

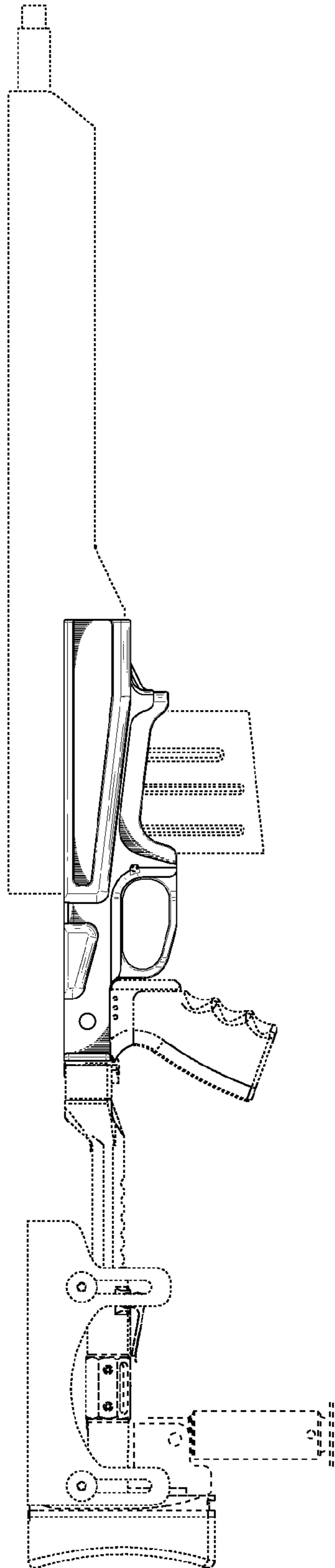


FIG. 9