



US00D613357S

(12) **United States Design Patent**
Utz

(10) **Patent No.:** **US D613,357 S**

(45) **Date of Patent:** **** Apr. 6, 2010**

(54) **PUTTER**

(76) **Inventor:** **Howard D. Utz**, 10000 Buena Vista Ave.
Sp 34, Santee, CA (US) 92071

(**) **Term:** **14 Years**

(21) **Appl. No.:** **29/335,116**

(22) **Filed:** **Apr. 8, 2009**

(51) **LOC (9) Cl.** **21-02**

(52) **U.S. Cl.** **D21/736**

(58) **Field of Classification Search** D21/736-746;
473/324-331, 340-341

See application file for complete search history.

(56) **References Cited**

U.S. PATENT DOCUMENTS

D139,463 S	11/1944	Jakosky	
D202,504 S *	10/1965	Citro	D21/736
D202,715 S *	11/1965	Solheim	D21/743
D210,789 S	4/1968	Sprinkel	
3,519,271 A	7/1970	Smith	
D242,730 S	12/1976	Pappas	
D313,057 S *	12/1990	Gebhardt	D21/741
5,601,498 A	2/1997	Antonious	
D393,892 S *	4/1998	Duclos	D21/746
5,755,625 A	5/1998	Jackson	

D396,257 S * 7/1998 Spano D21/736

6,066,053 A 5/2000 Sehemberger

D533,244 S * 12/2006 Kroll, Jr. D21/746

2007/0161430 A1 7/2007 Bardha

2007/0298901 A1 12/2007 Nam

* cited by examiner

Primary Examiner—Mitchell I Siegel

(74) *Attorney, Agent, or Firm*—QuickPatents, Inc.; Kevin Prince

(57) **CLAIM**

I claim the ornamental design for a putter, as shown and described.

DESCRIPTION

FIG. 1 is a perspective view of a putter, showing my new design;

FIG. 2 is a front elevational view thereof;

FIG. 3 is a rear elevational view thereof;

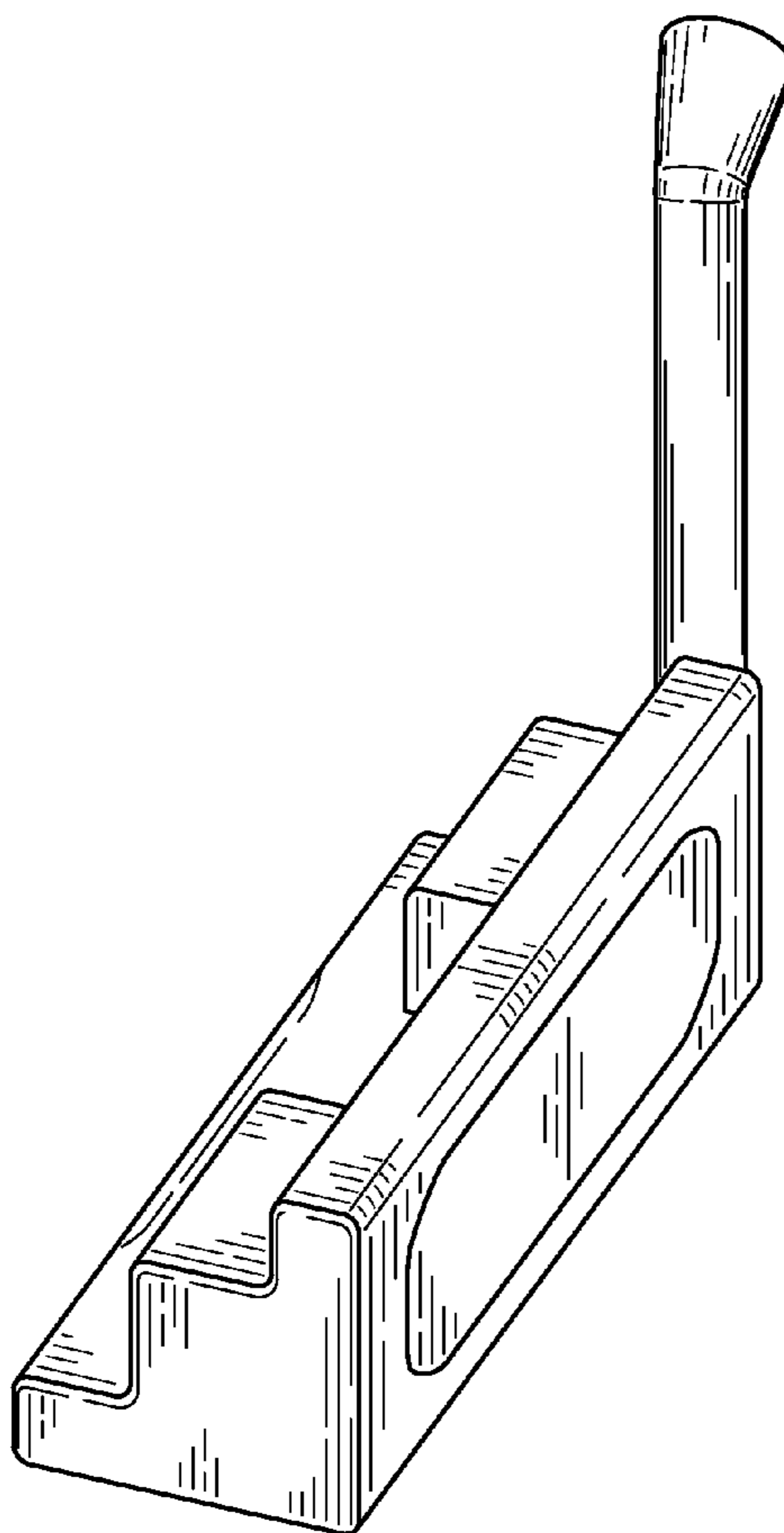
FIG. 4 is a right-side elevational view thereof;

FIG. 5 is a left-side elevational view thereof;

FIG. 6 is a top plan view thereof; and,

FIG. 7 is a bottom plan view thereof.

1 Claim, 3 Drawing Sheets



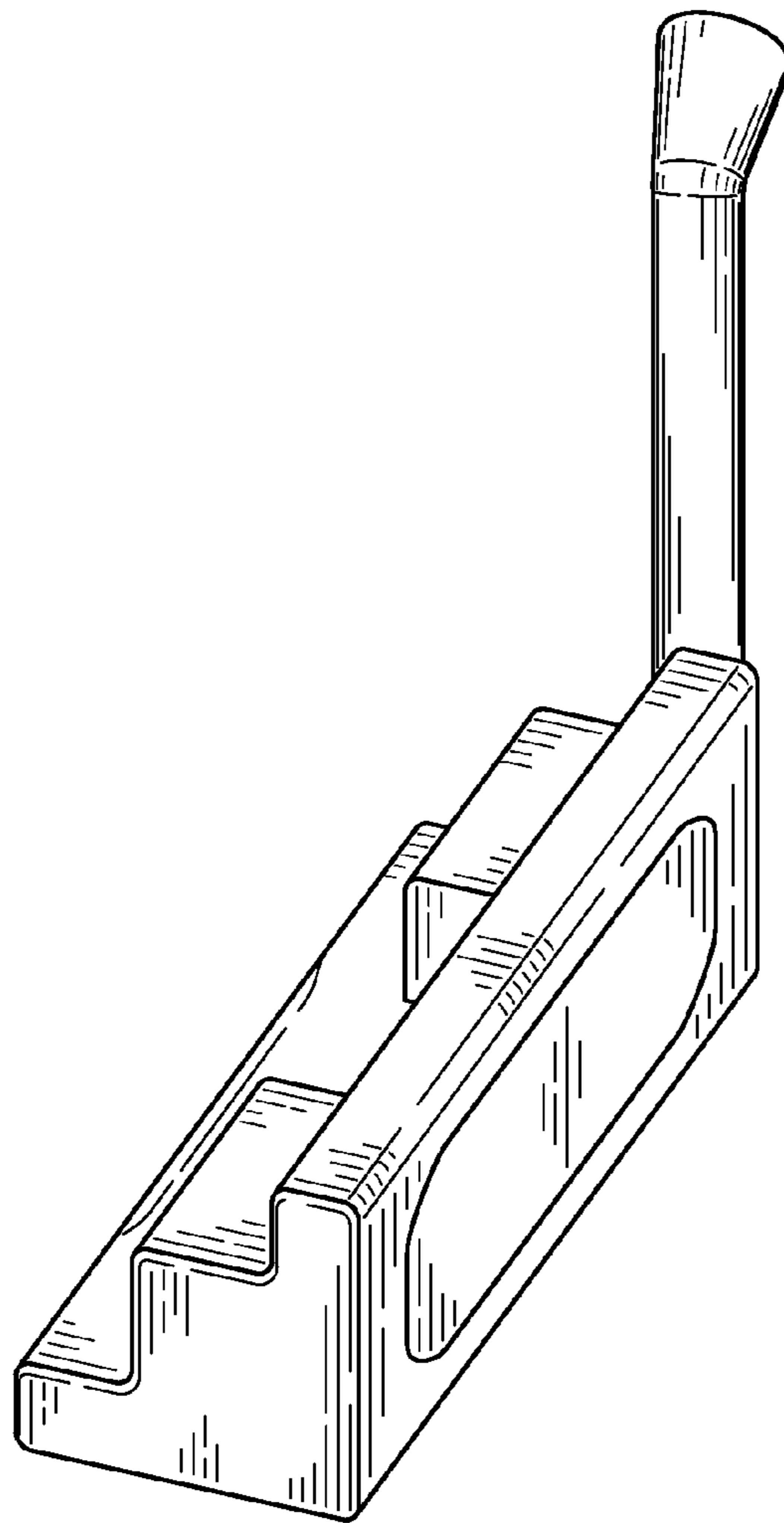


FIG. 1

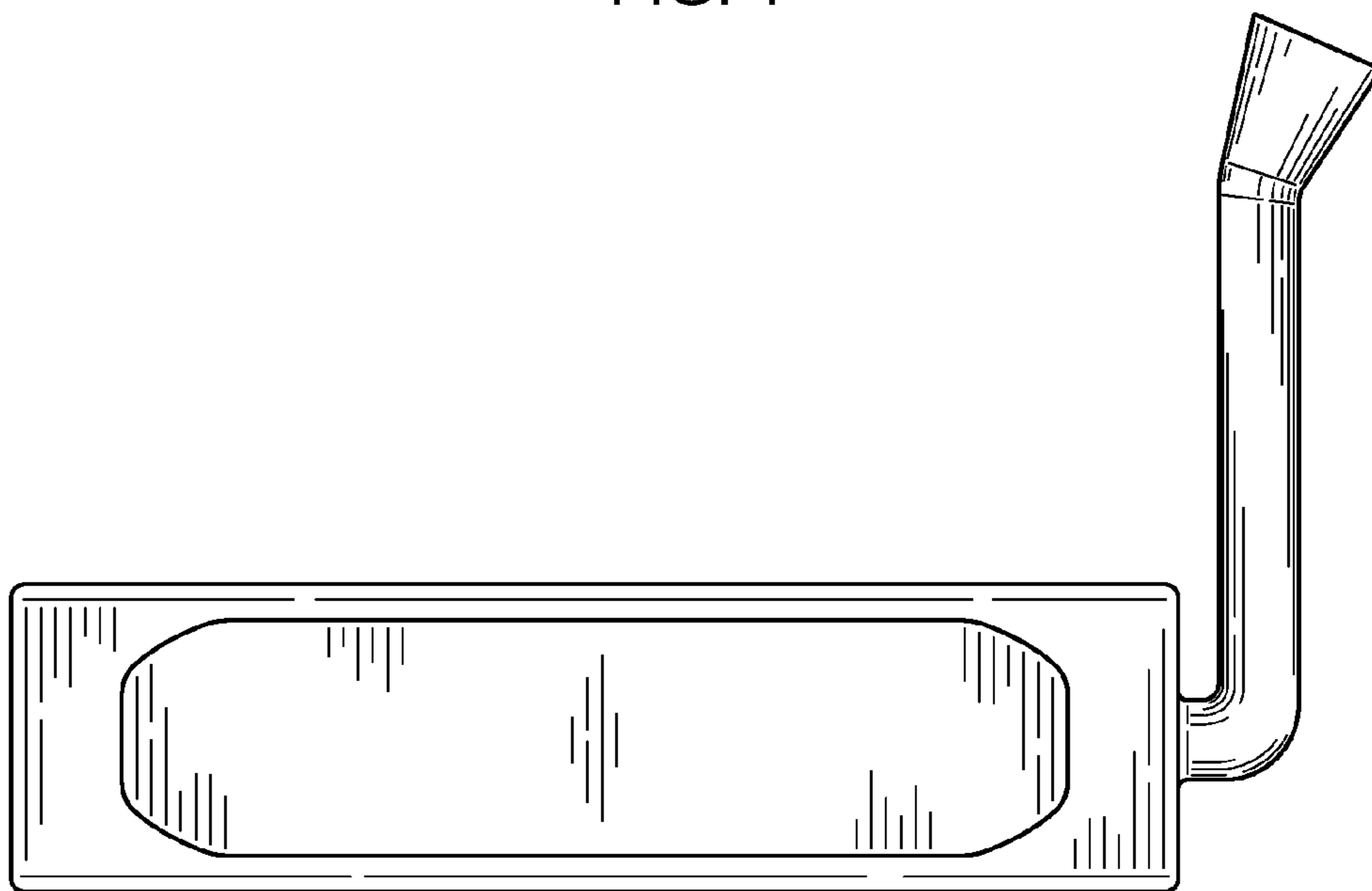


FIG. 2

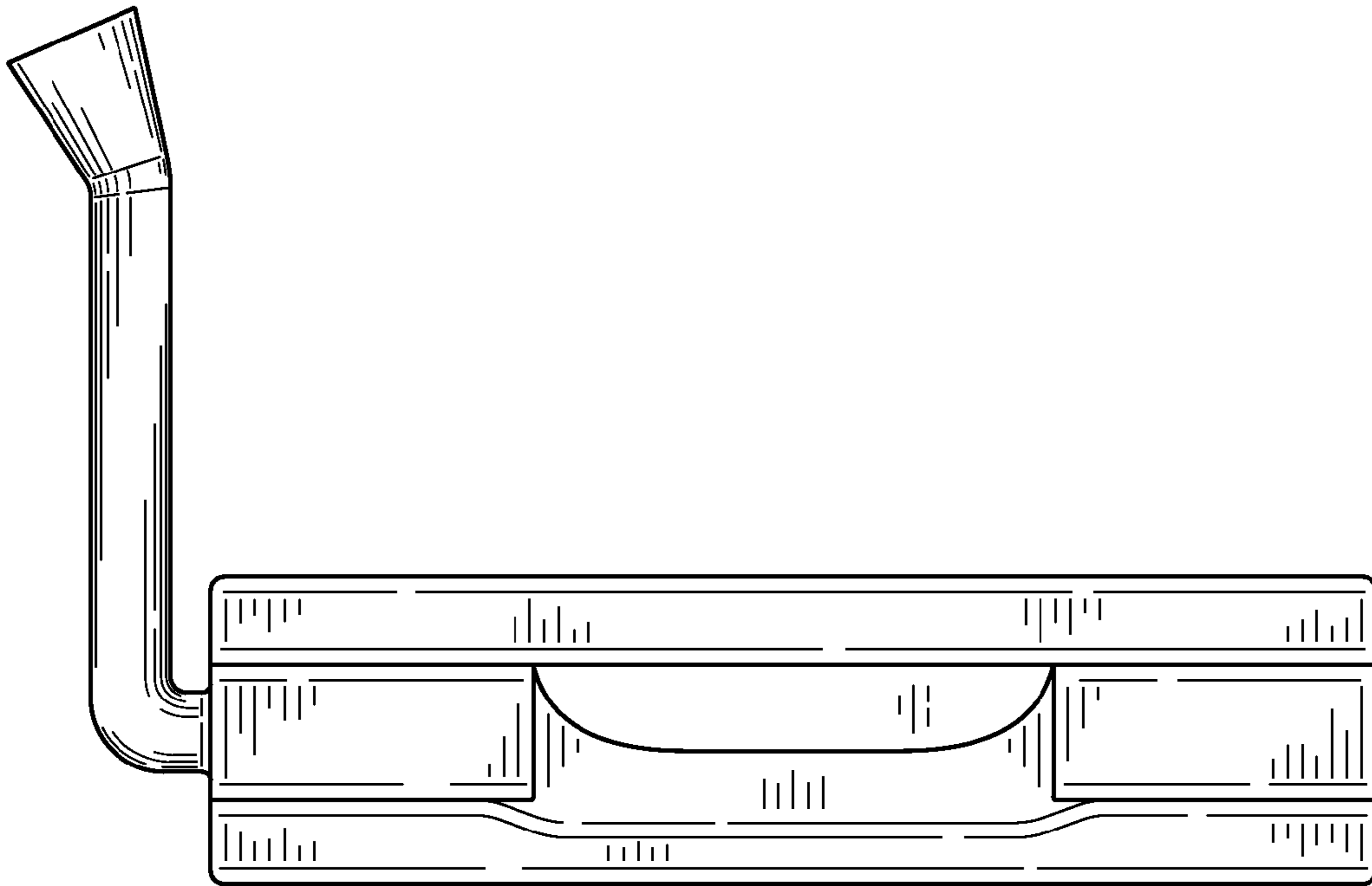


FIG. 3

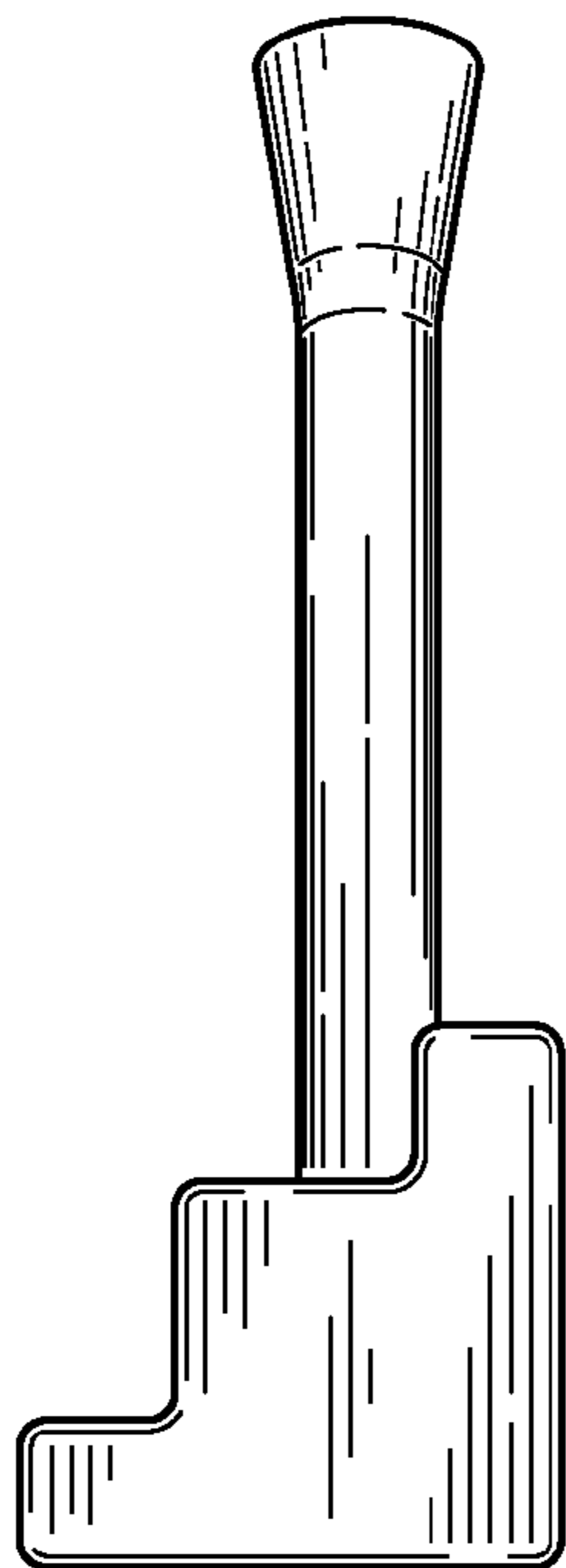


FIG. 4

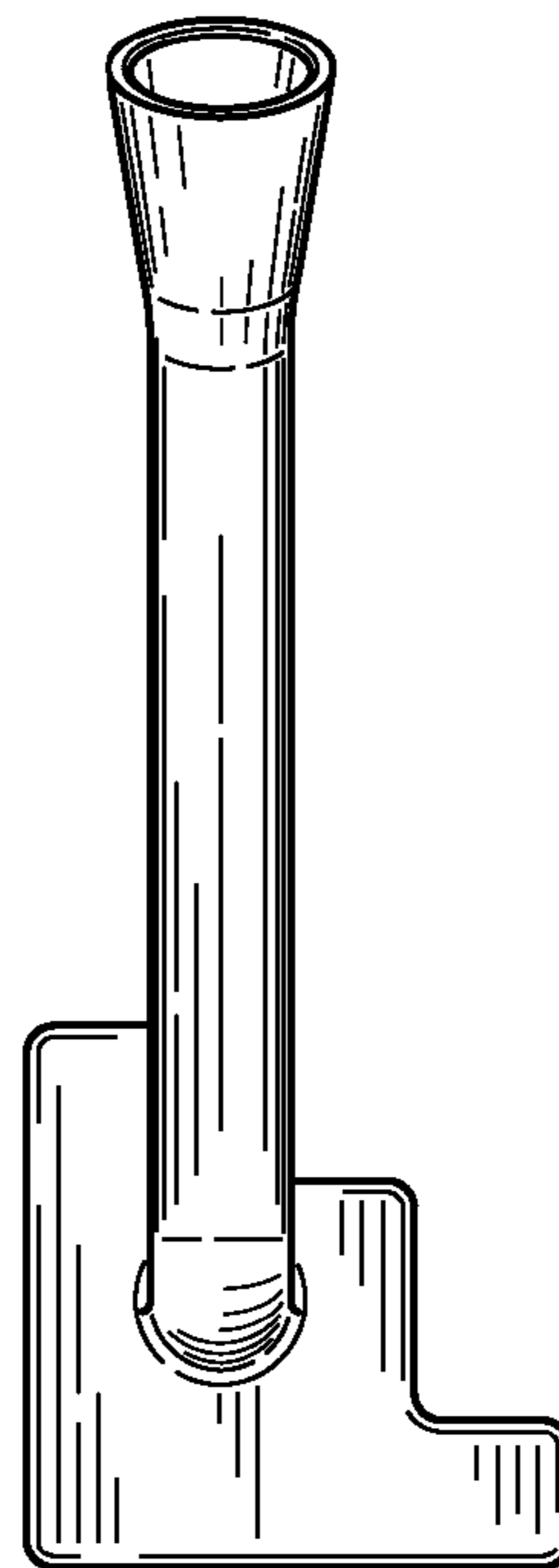


FIG. 5

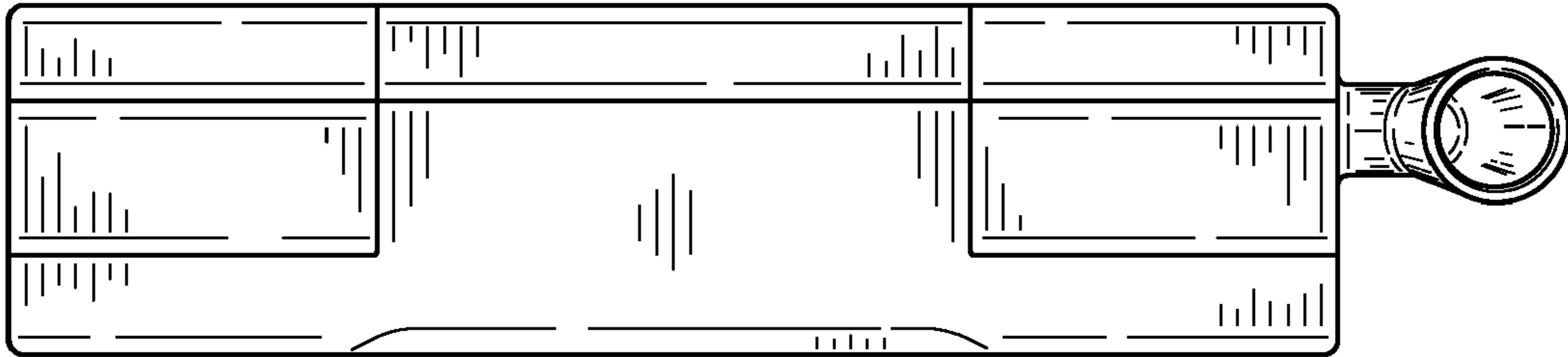


FIG. 6

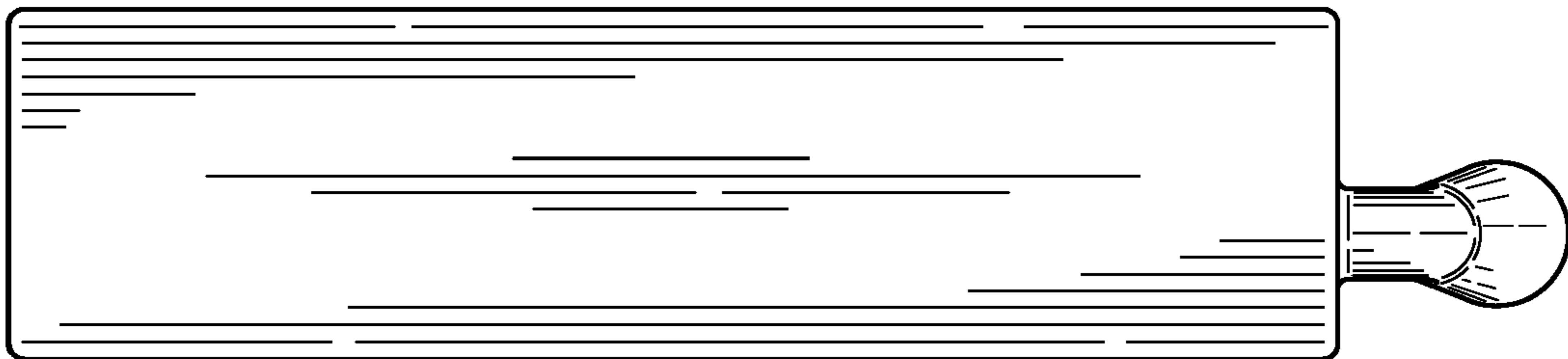


FIG. 7