



US00D613353S

(12) **United States Design Patent**
Bulva et al.

(10) **Patent No.:** **US D613,353 S**
(45) **Date of Patent:** **** Apr. 6, 2010**

(54) **EXERCISE MACHINE**

(75) Inventors: **Michael Bulva**, North Vancouver (CA);
Paul Conder, Vancouver (CA)

(73) Assignee: **Solostrength Lifestyle Products Corp.**,
North Vancouver (CA)

(**) Term: **14 Years**

(21) Appl. No.: **29/329,435**

(22) Filed: **Dec. 15, 2008**

(51) **LOC (9) Cl.** **21-02**

(52) **U.S. Cl.** **D21/694**

(58) **Field of Classification Search** D21/686,
D21/687, 662, 694, 692, 797, 698, 788; 482/124,
482/125, 129, 142, 137, 96; 248/121, 125.1;
297/461

See application file for complete search history.

(56) **References Cited**

U.S. PATENT DOCUMENTS

D304,850 S	*	11/1989	Chambers	D21/797
D343,879 S	*	2/1994	Koga	D21/670
D358,436 S	*	5/1995	Piaget et al.	D21/669
D363,902 S	*	11/1995	Wright	D12/8
D369,843 S	*	5/1996	Wang et al.	D21/669
D425,154 S	*	5/2000	Alessandri	D21/694
D477,797 S	*	7/2003	McCoy et al.	D12/101
D478,954 S	*	8/2003	Forrest	D21/788
D480,773 S	*	10/2003	Suchanek et al.	D21/694

D562,417 S	*	2/2008	Noojin	D21/698
D565,134 S	*	3/2008	Brown et al.	D21/694
D582,494 S	*	12/2008	Elnekaveh	D21/687

* cited by examiner

Primary Examiner—Robert M Spear
Assistant Examiner—Cynthia Underwood
(74) *Attorney, Agent, or Firm*—Cameron IP

(57) **CLAIM**

The ornamental design for the exercise machine, as shown and described.

DESCRIPTION

FIG. 1 is a front, perspective view of an exercise machine showing the new design;

FIG. 2 is a rear, perspective view of the exercise machine;

FIG. 3 is a front elevation view of the exercise machine shown in FIG. 1;

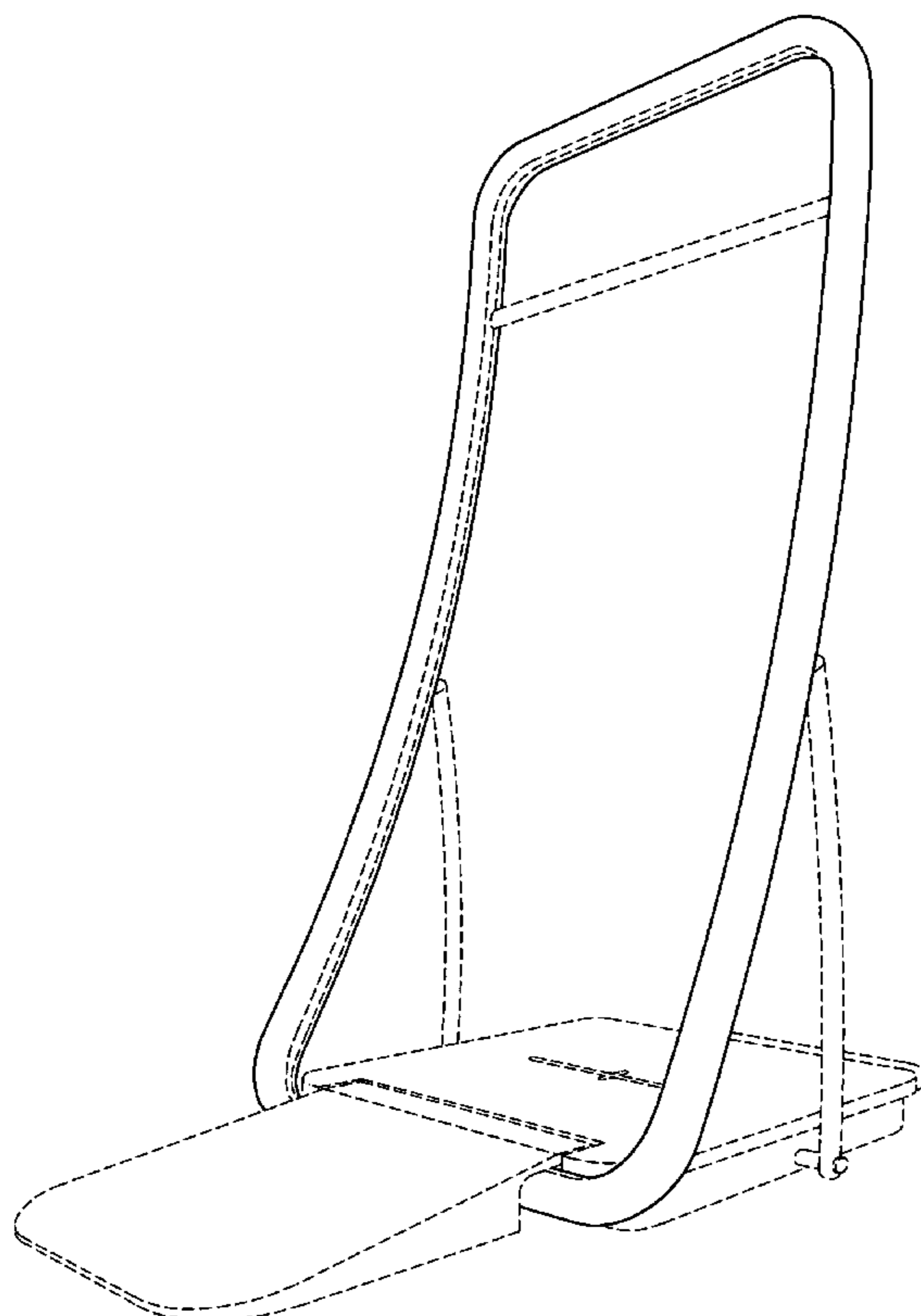
FIG. 4 is a side elevation view of the exercise machine shown in FIG. 1;

FIG. 5 is a top plan view of the exercise machine shown in FIG. 1; and,

FIG. 6 is a bottom plan view of the exercise machine shown in FIG. 1.

The broken lines represent portions of the structure that form no part of the claim.

1 Claim, 5 Drawing Sheets



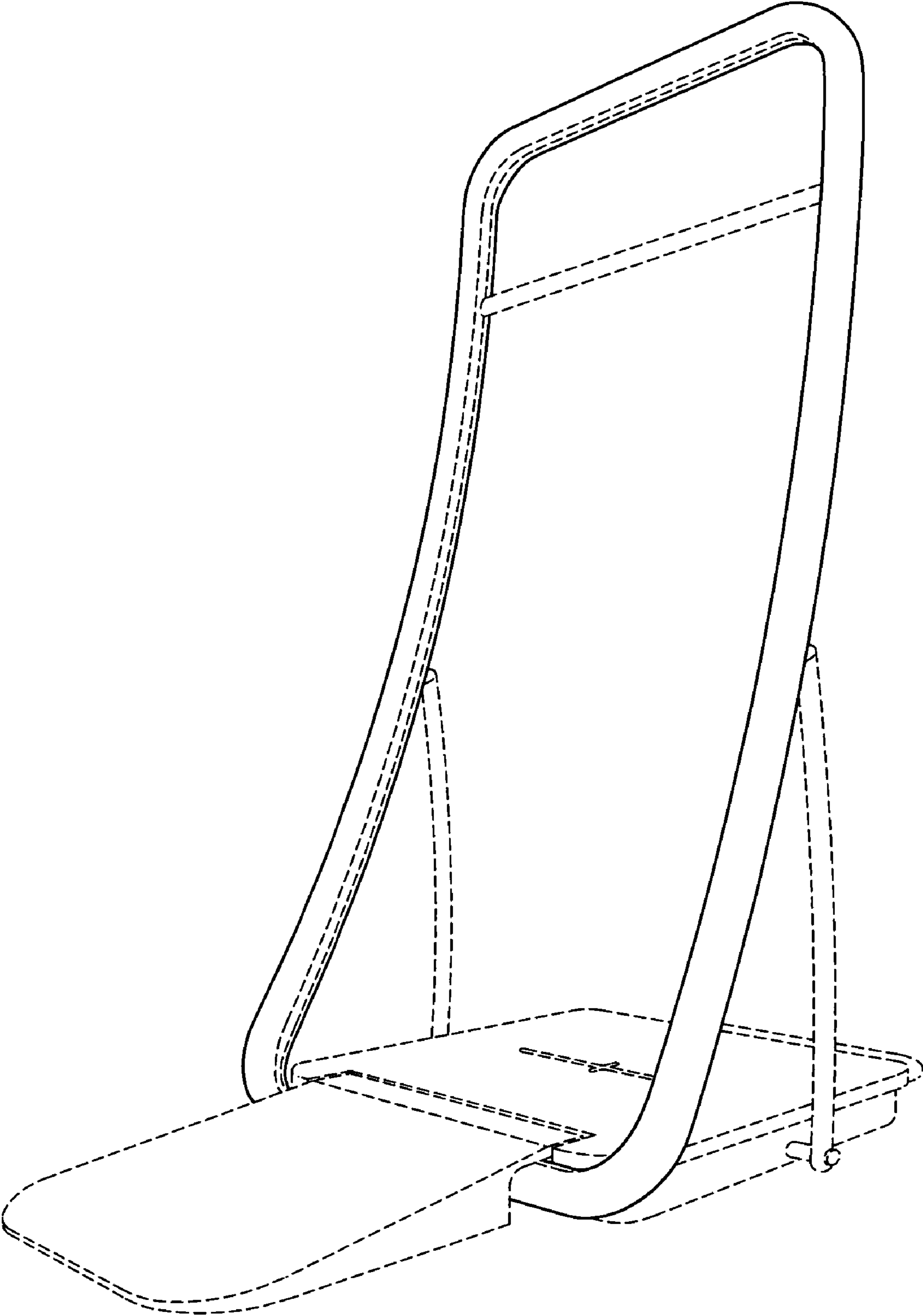


FIG. 1

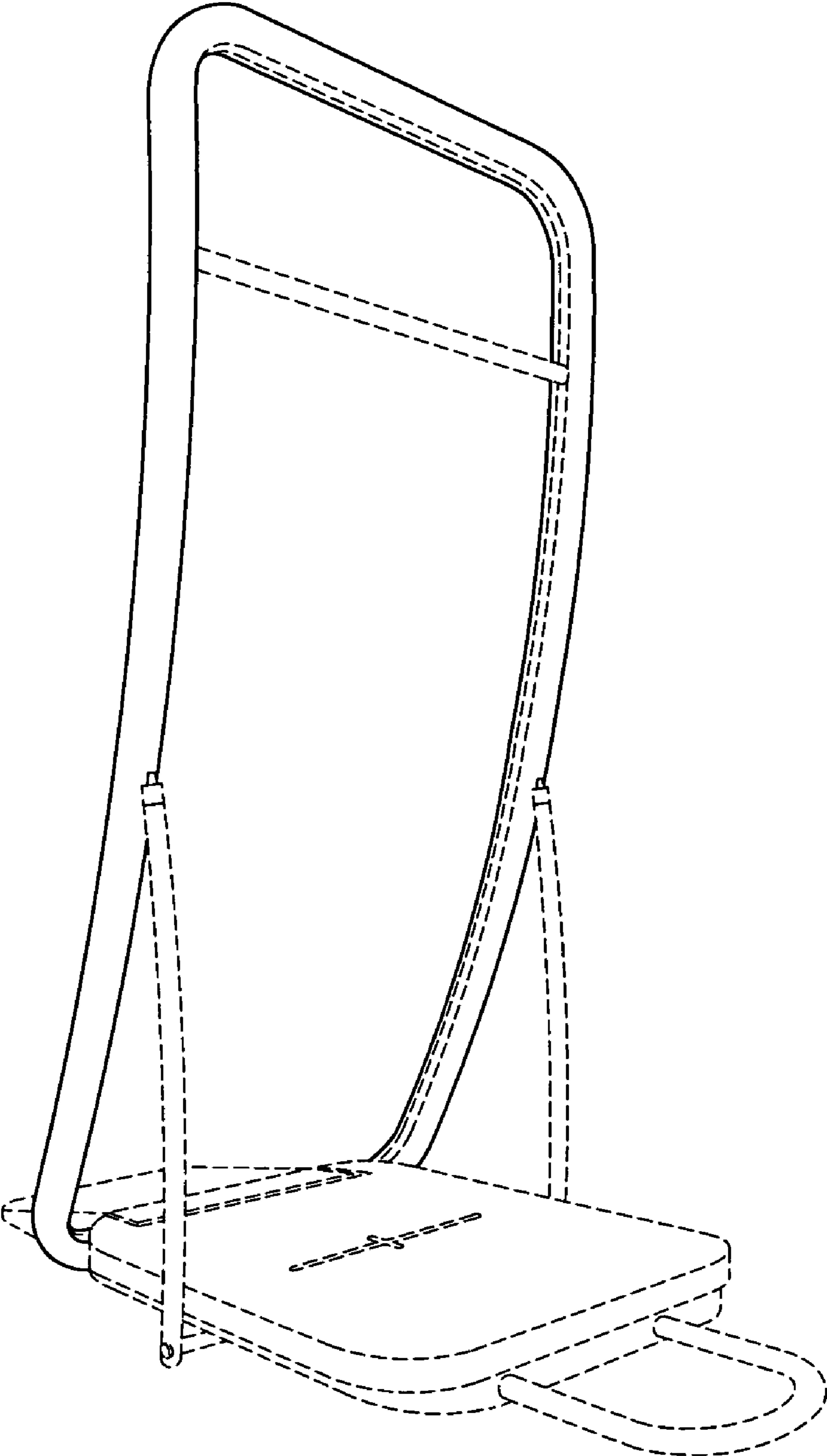


FIG. 2

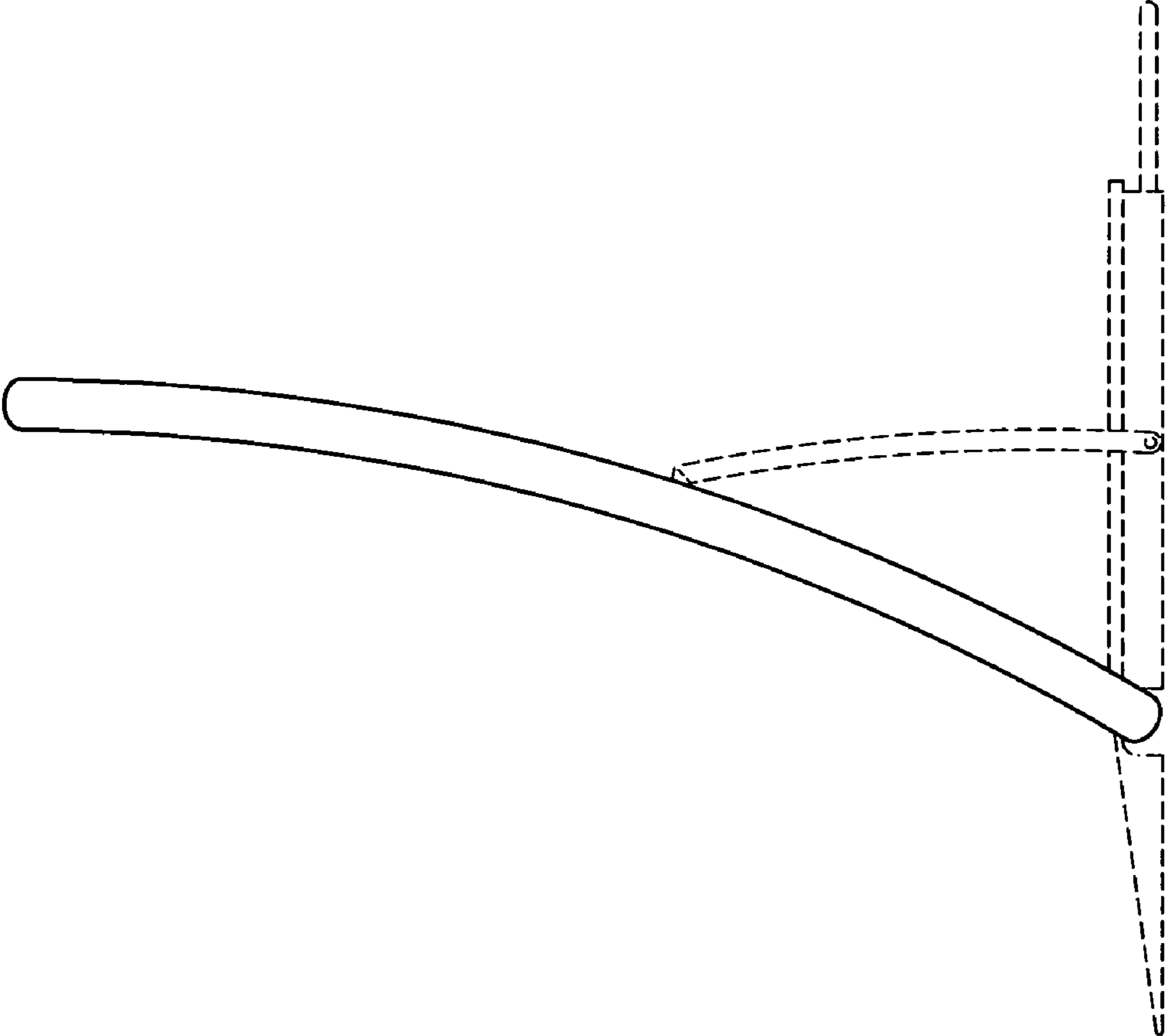


FIG. 4

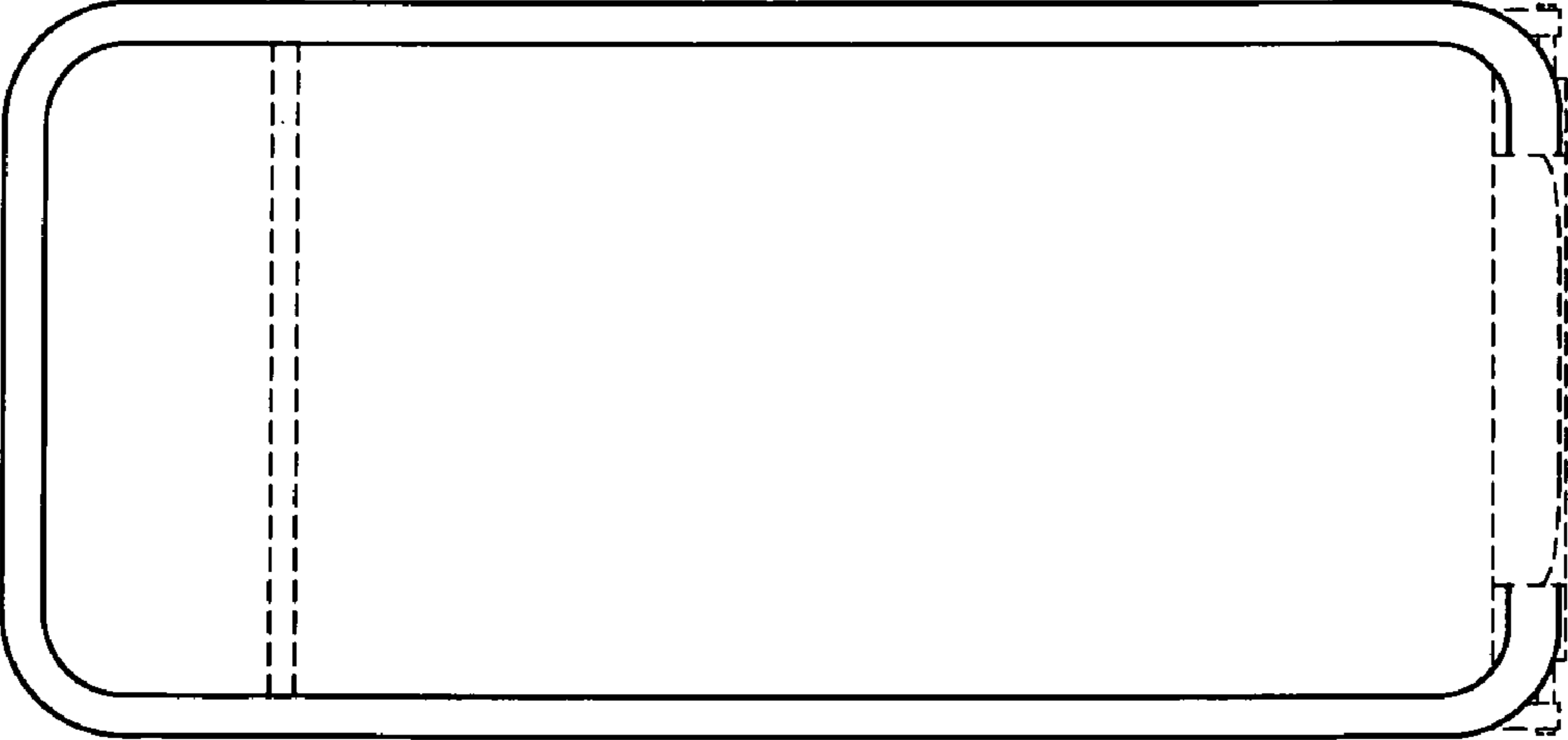


FIG. 3

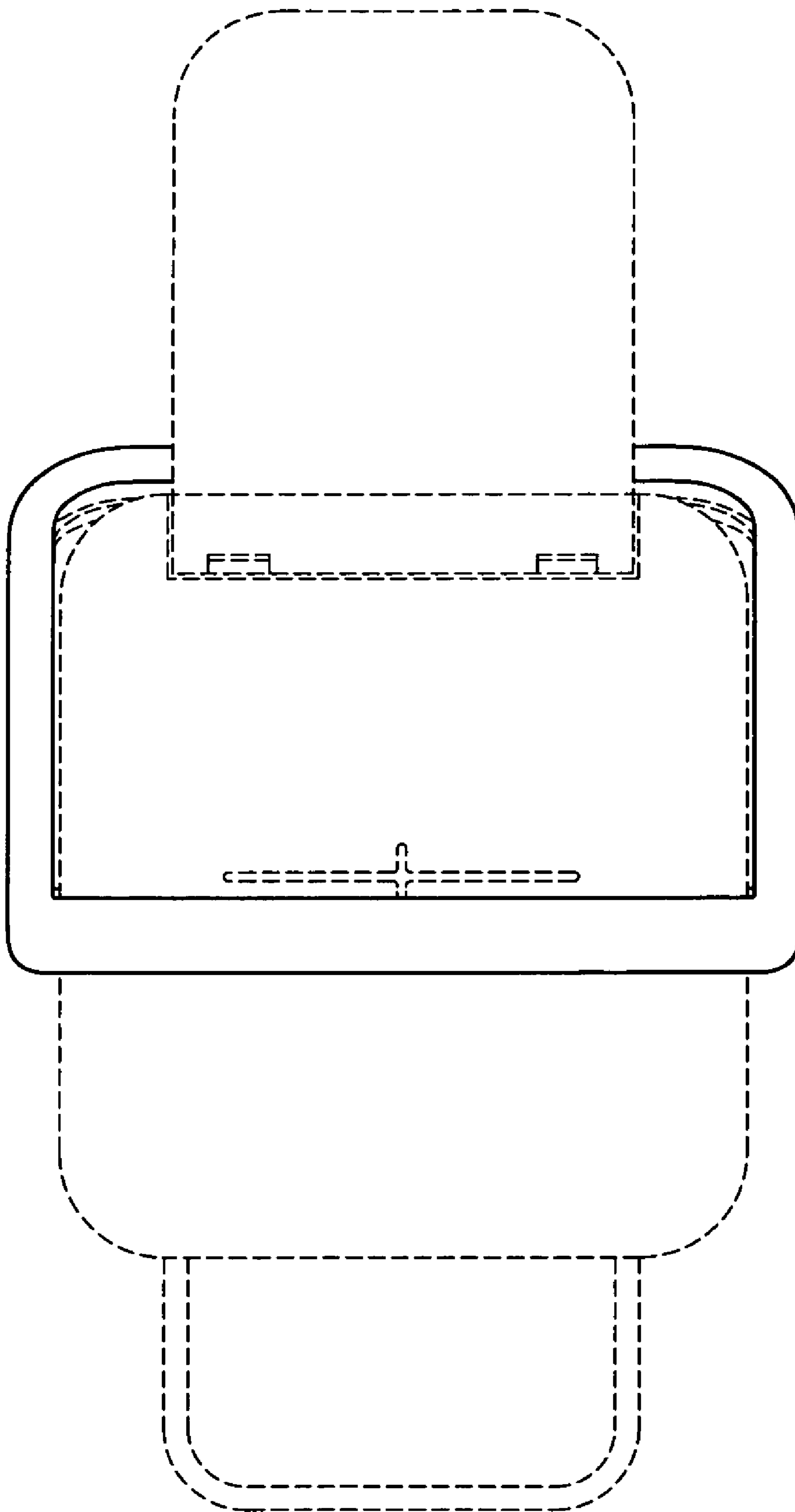


FIG. 5

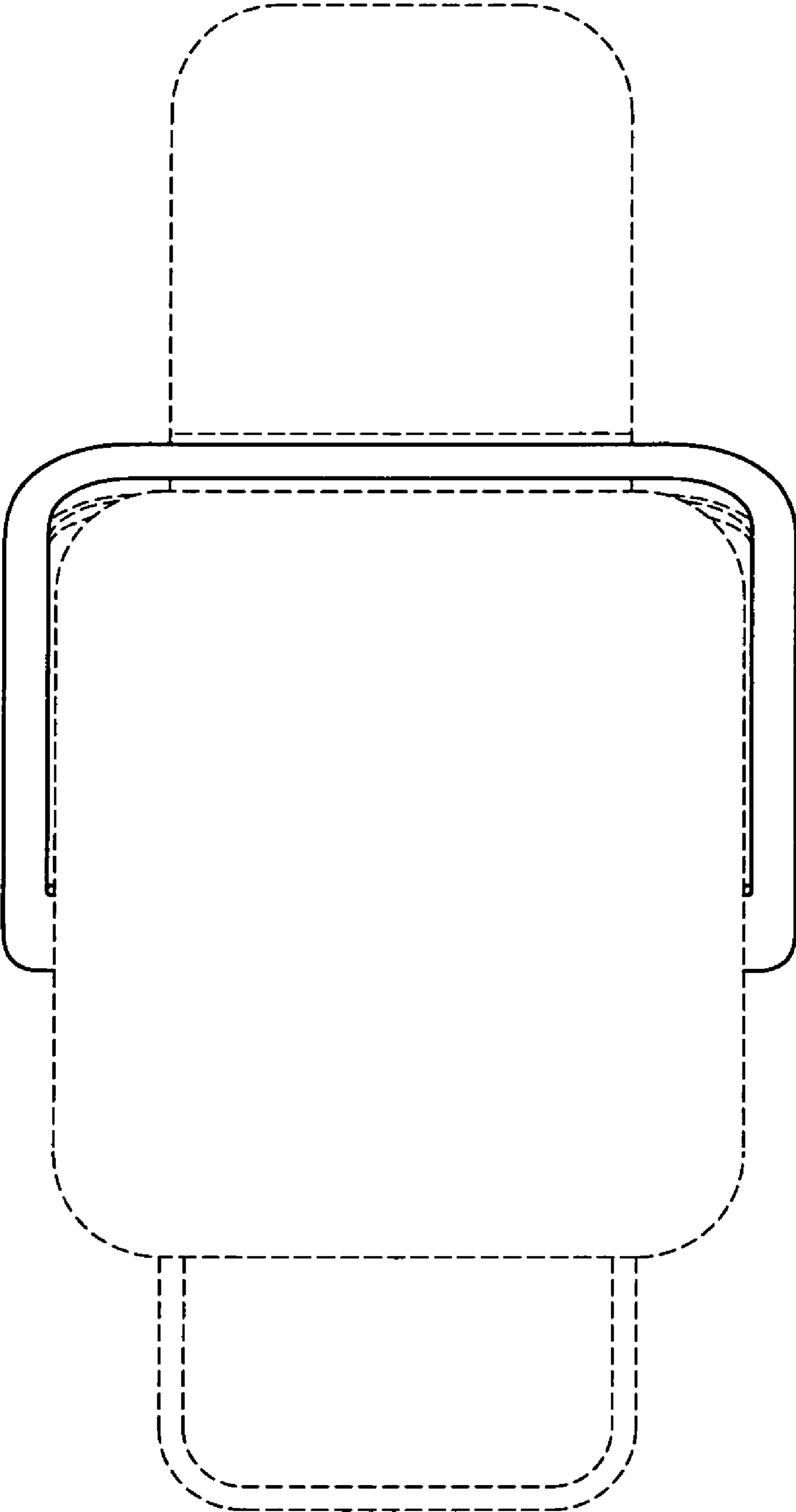


FIG. 6