



US00D613351S

(12) **United States Design Patent**  
**Splane**

(10) **Patent No.:** **US D613,351 S**

(45) **Date of Patent:** **\*\* Apr. 6, 2010**

(54) **ABDOMINAL EXERCISE DEVICE**

(76) Inventor: **Robson Splane**, 30634 Persimmon La.,  
Valley Center, CA (US) 92082

(\*\*) Term: **14 Years**

(21) Appl. No.: **29/343,385**

(22) Filed: **Sep. 11, 2009**

(51) **LOC (9) Cl.** ..... **21-02**

(52) **U.S. Cl.** ..... **D21/689**

(58) **Field of Classification Search** ..... D21/662,  
D21/686, 688, 689, 694; 482/51, 71, 91,  
482/132, 136, 146-147; 601/33, 40, 127,  
601/131

See application file for complete search history.

(56) **References Cited**

**U.S. PATENT DOCUMENTS**

D273,314	S *	4/1984	McCoy et al.	.....	D21/694
4,799,475	A *	1/1989	Iams et al.	.....	601/23
4,846,465	A *	7/1989	Iams et al.	.....	482/132
4,858,918	A *	8/1989	Iams et al.	.....	482/132
4,953,858	A *	9/1990	Zelli	.....	482/147
4,989,860	A *	2/1991	Iams et al.	.....	482/132
5,433,690	A *	7/1995	Gilman	.....	482/146
5,632,711	A *	5/1997	Hwang	.....	482/147
6,875,159	B2 *	4/2005	Chuang	.....	482/51
6,918,856	B2 *	7/2005	Chang	.....	482/51
D555,742	S *	11/2007	Lai	.....	D21/694
2006/0183604	A1 *	8/2006	Chae	.....	482/51
2008/0020915	A1 *	1/2008	Pacheco et al.	.....	482/146

\* cited by examiner

*Primary Examiner*—Philip S Hyder

*Assistant Examiner*—Susan E Krakower

(74) *Attorney, Agent, or Firm*—The Nath Law Group; Jerald L. Meyer; Jonathan A. Kidney

(57) **CLAIM**

The ornamental design for an abdominal exercise device, as shown and described.

**DESCRIPTION**

FIG. 1 is a perspective view of an abdominal exercise device showing my new design;

FIG. 2 is a top plan view thereof;

FIG. 3 is a bottom plan view thereof;

FIG. 4 is a right side elevation view thereof;

FIG. 5 is a left side elevation view thereof;

FIG. 6 is a rear elevation view thereof;

FIG. 7 is a front elevation view thereof; and

FIG. 8 is a cross-sectional view thereof, shown in the plane indicated in FIG. 2.

FIG. 9 is a perspective view of an abdominal exercise device showing my new design, shown with the unclaimed environment removed for clarity of disclosure;

FIG. 10 is a top plan view thereof;

FIG. 11 is a bottom plan view thereof;

FIG. 12 is a right side elevation view thereof;

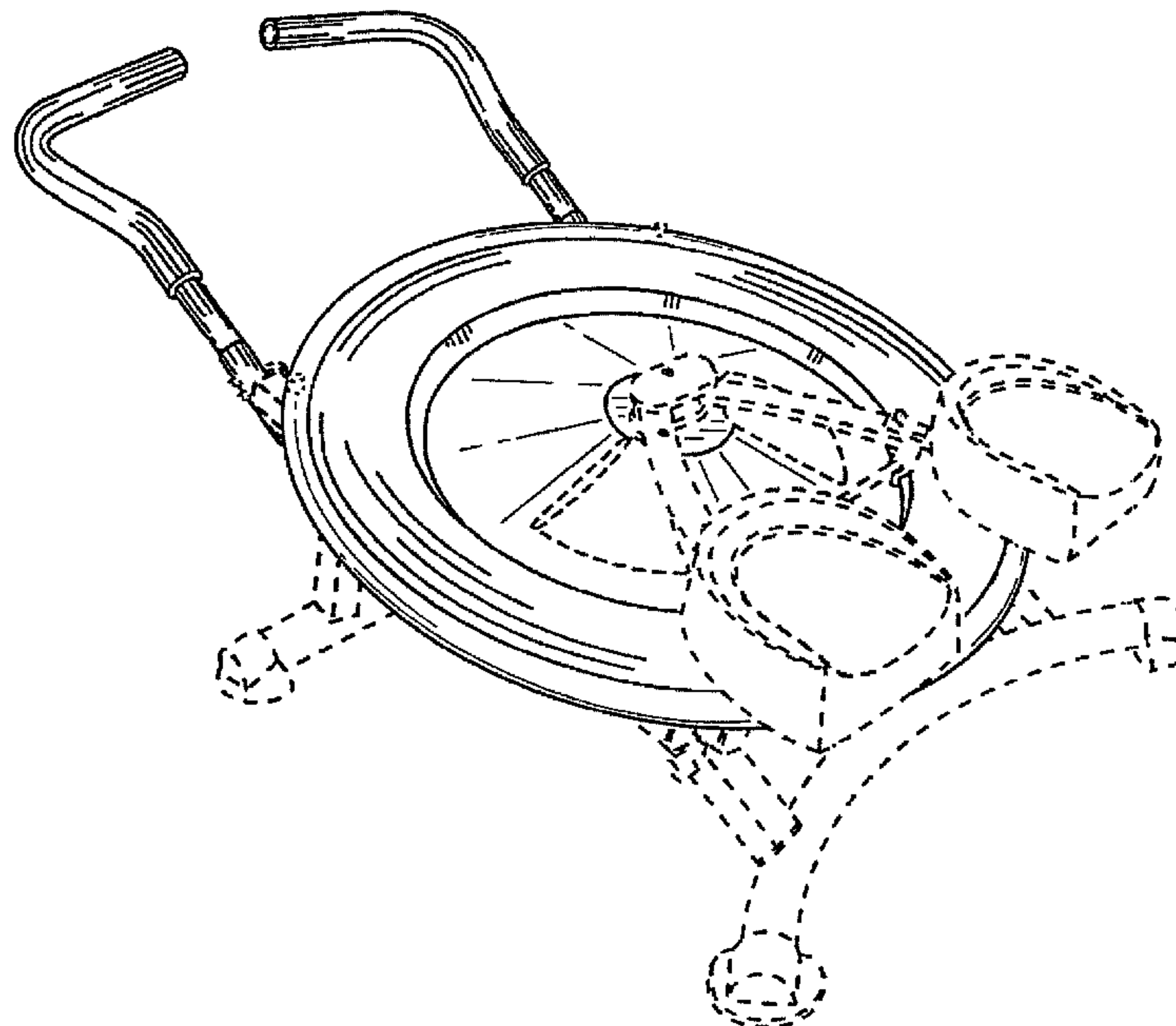
FIG. 13 is a left side elevation view thereof;

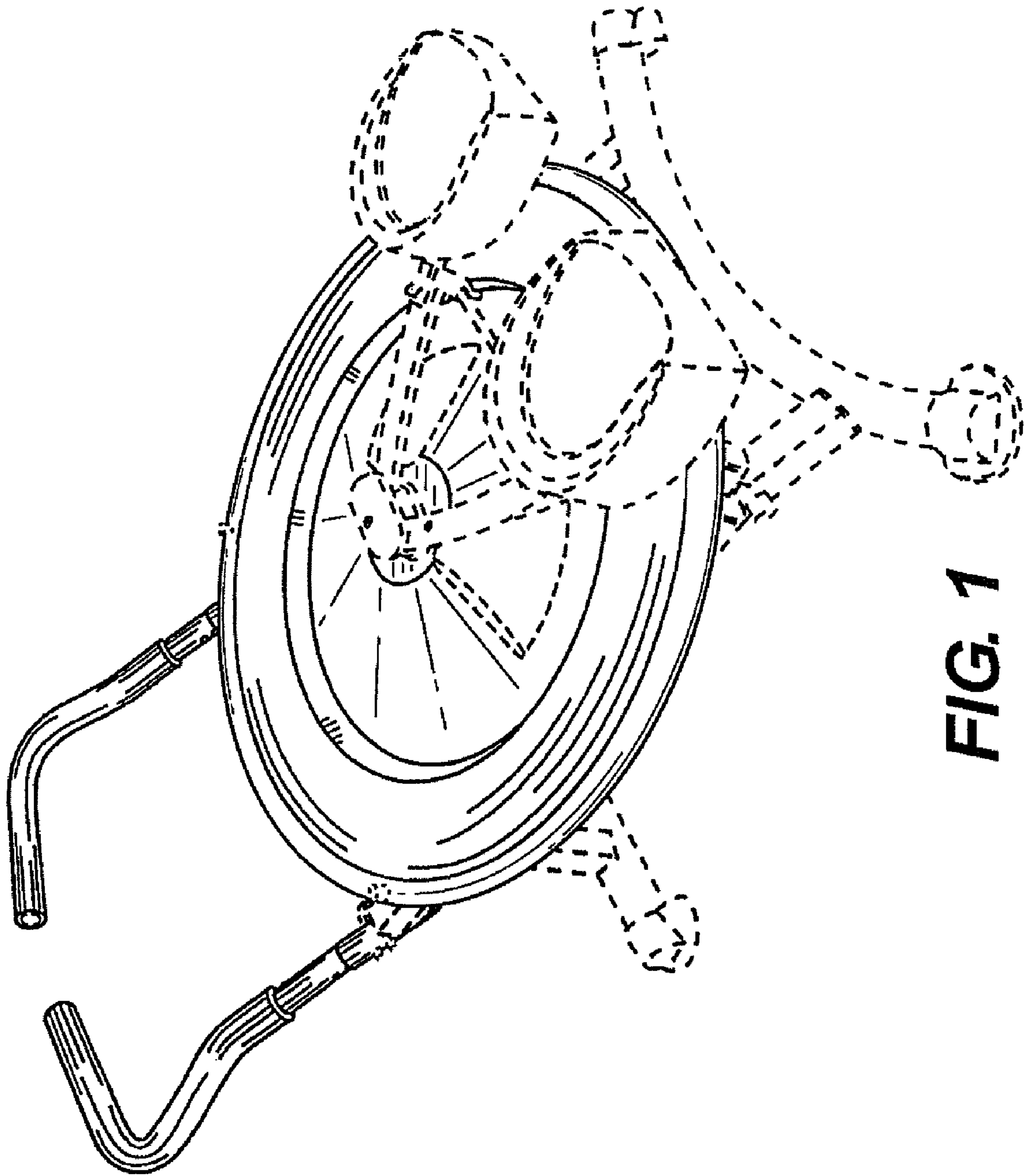
FIG. 14 is a rear elevation view thereof; and,

FIG. 15 is a front elevation view thereof.

The broken lines illustrate environmental elements of the abdominal exercise device which form no part of the claimed design.

**1 Claim, 15 Drawing Sheets**





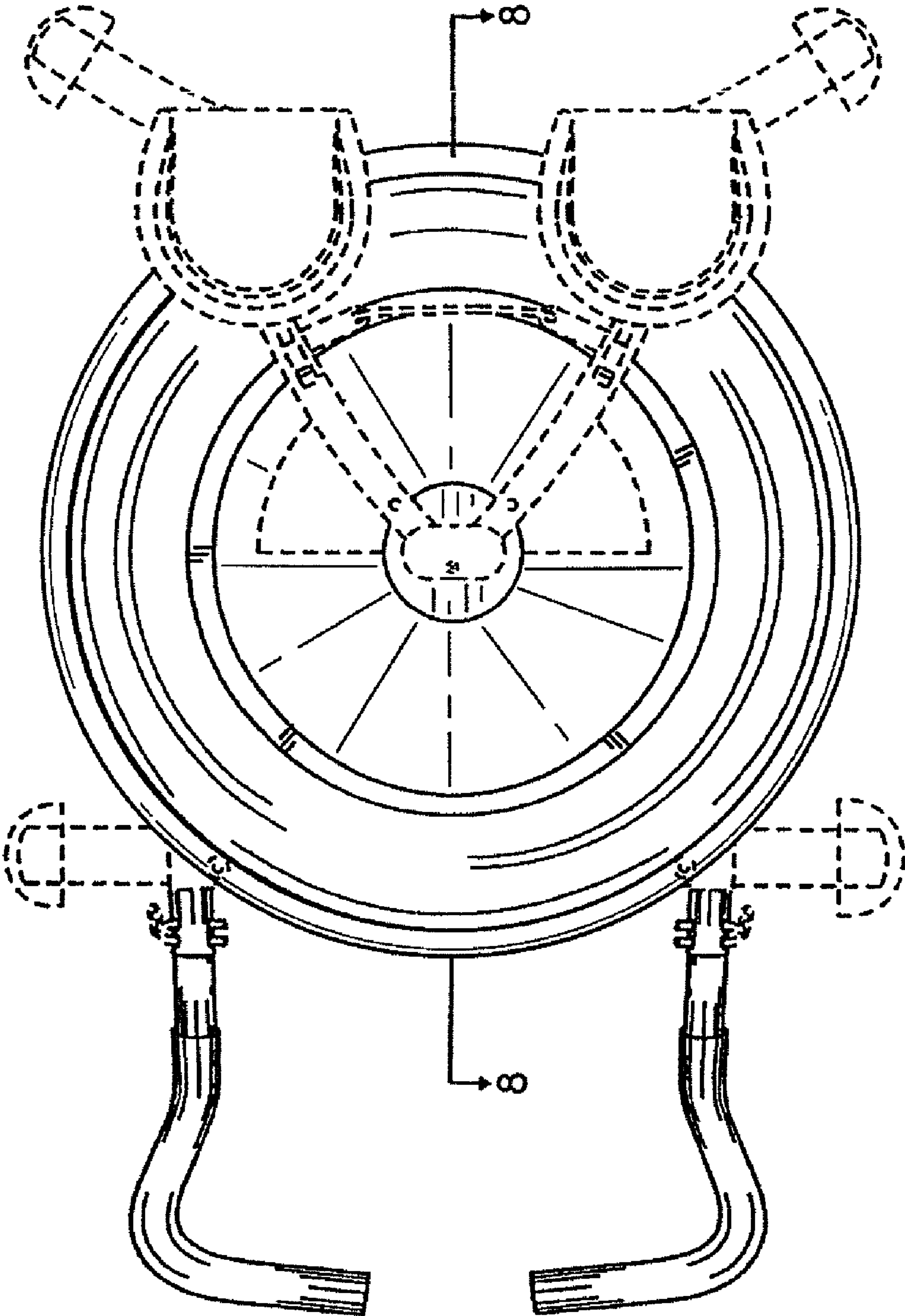
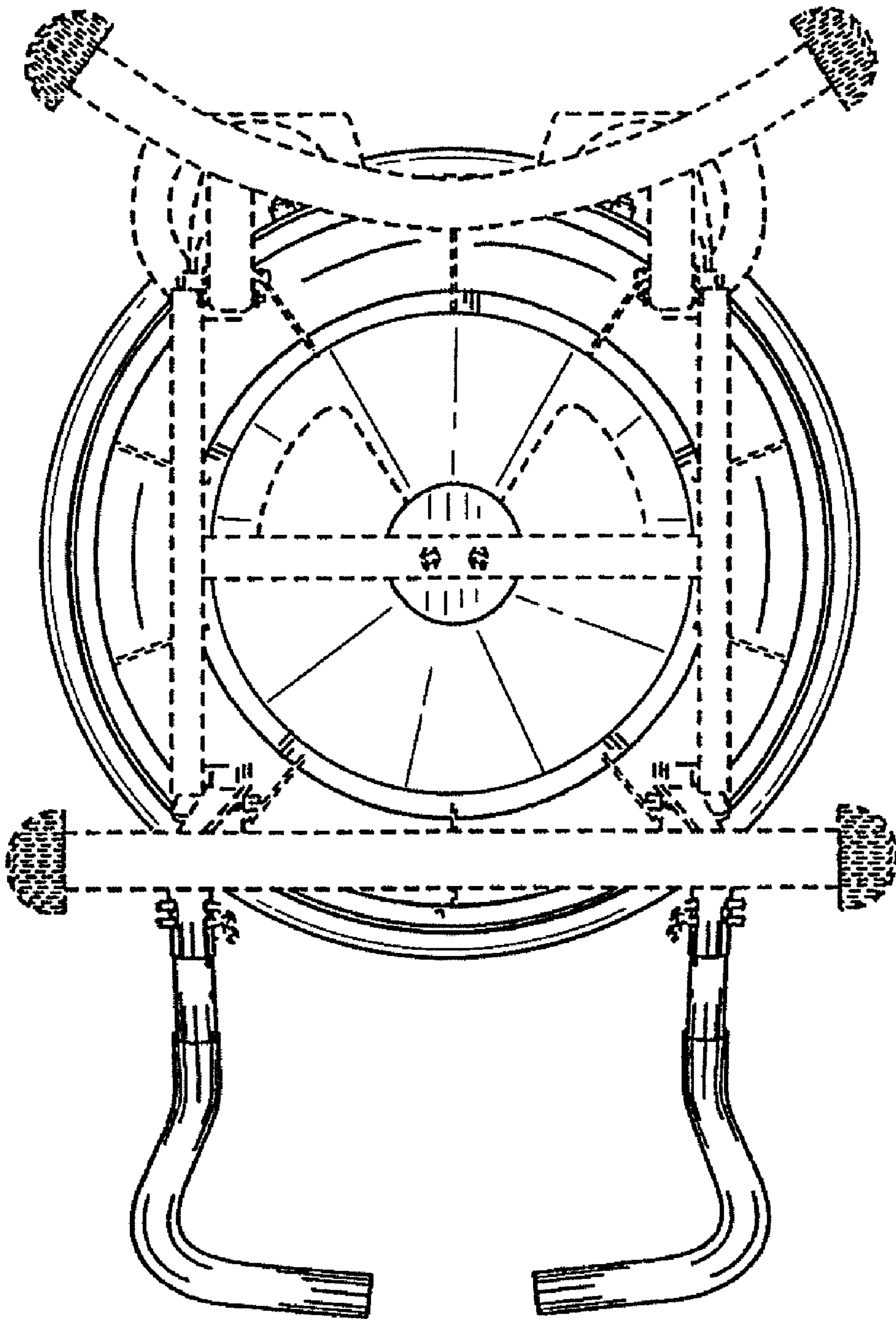
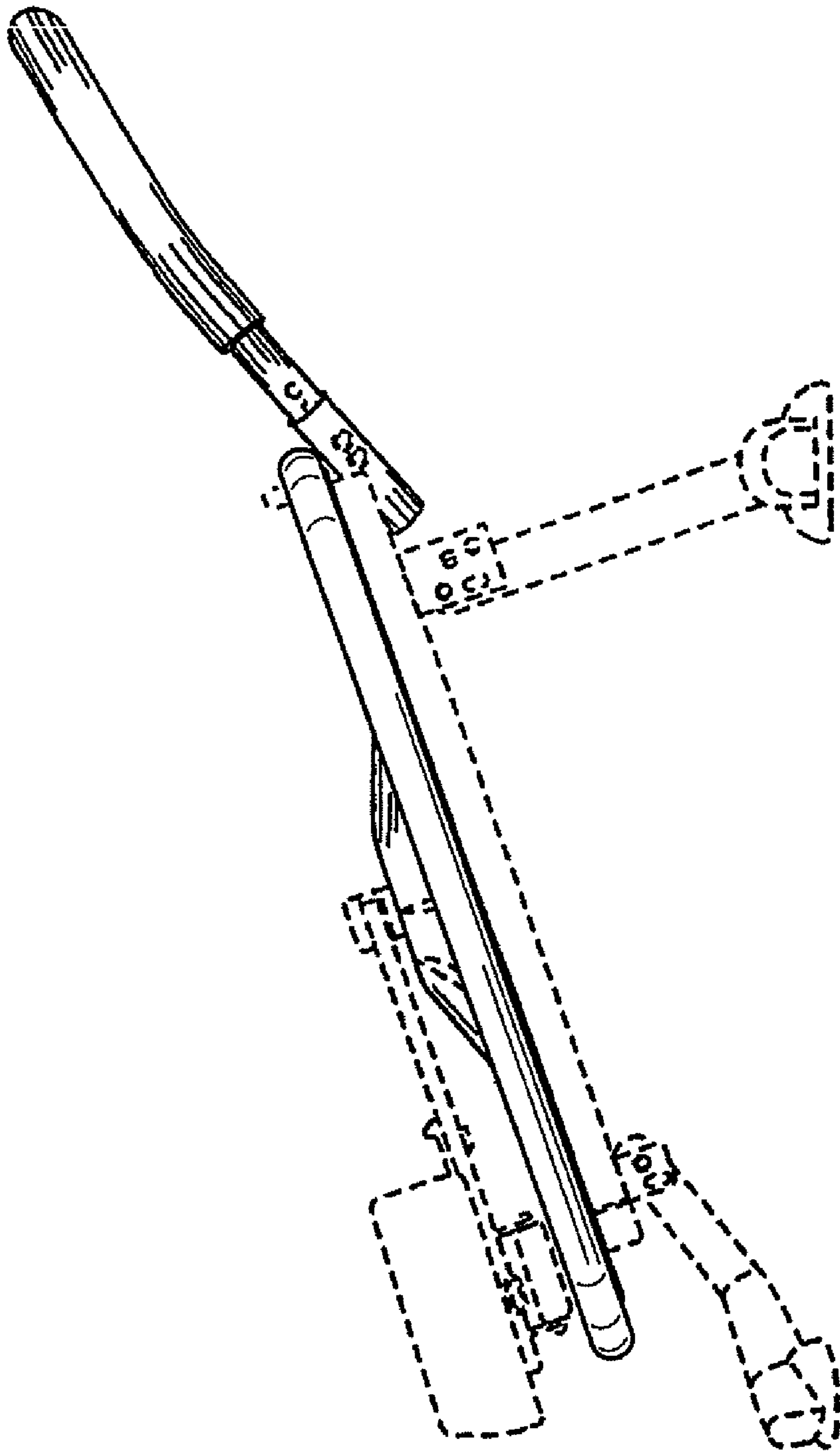


FIG. 2





**FIG. 3**



**FIG. 4**

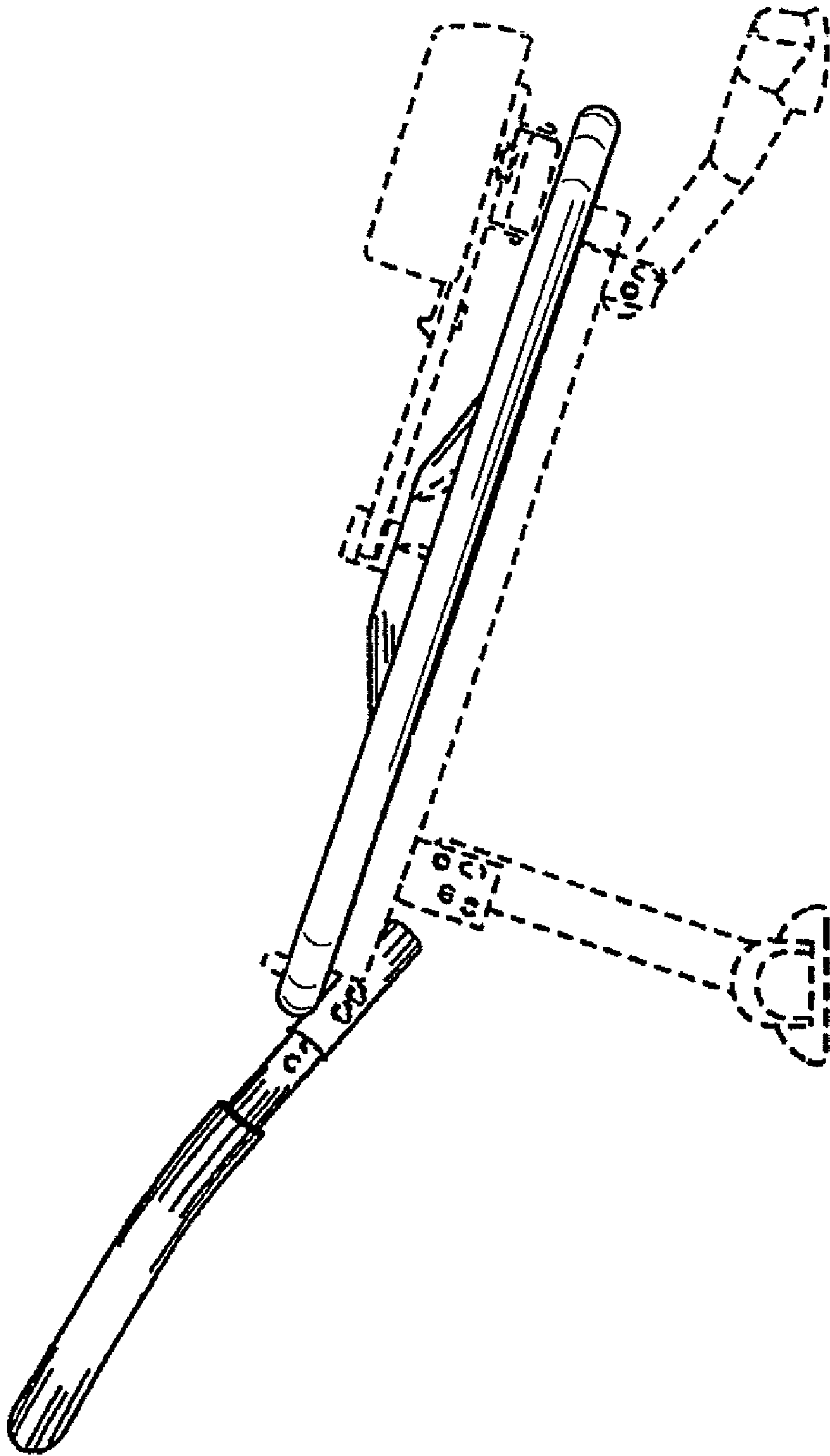
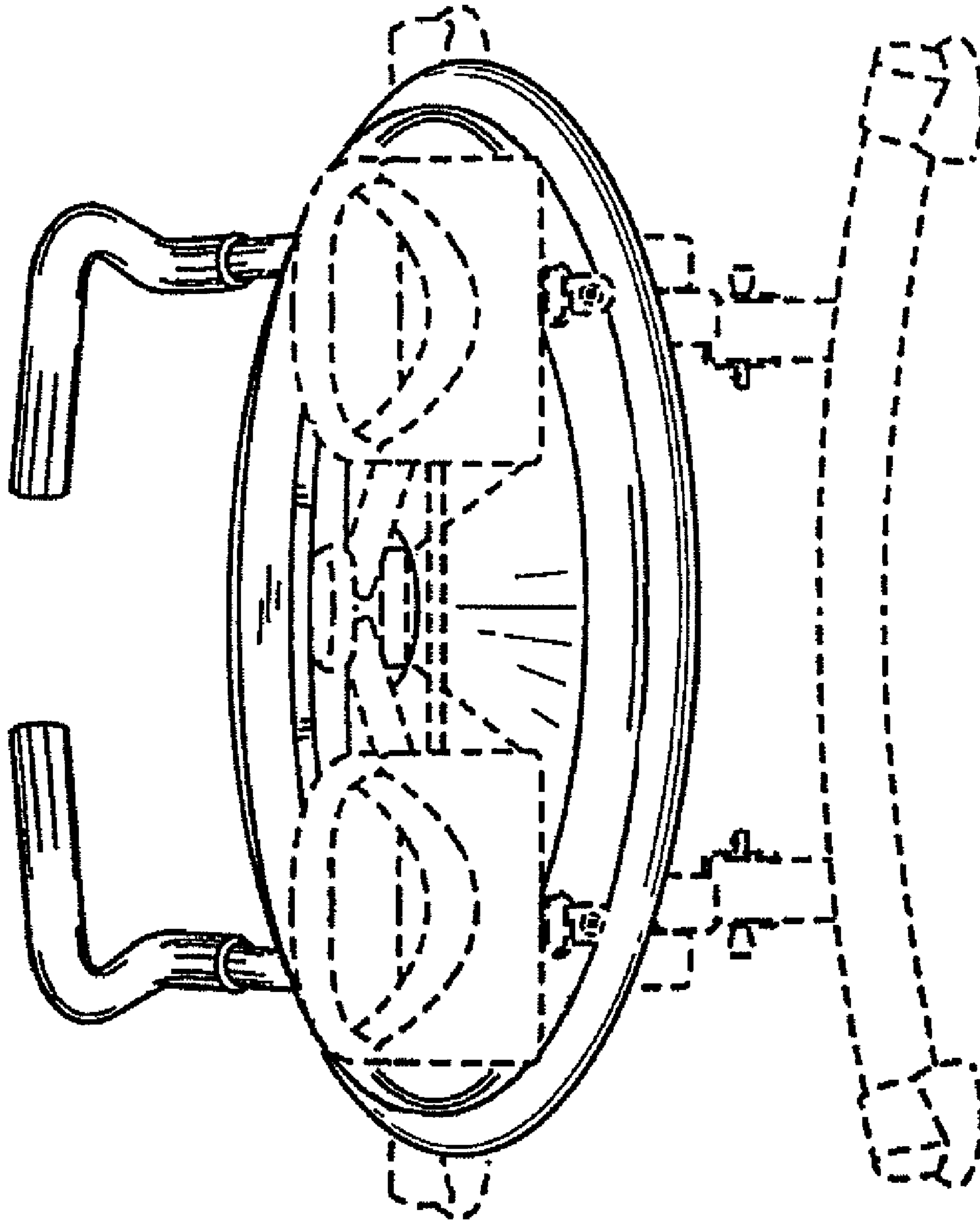
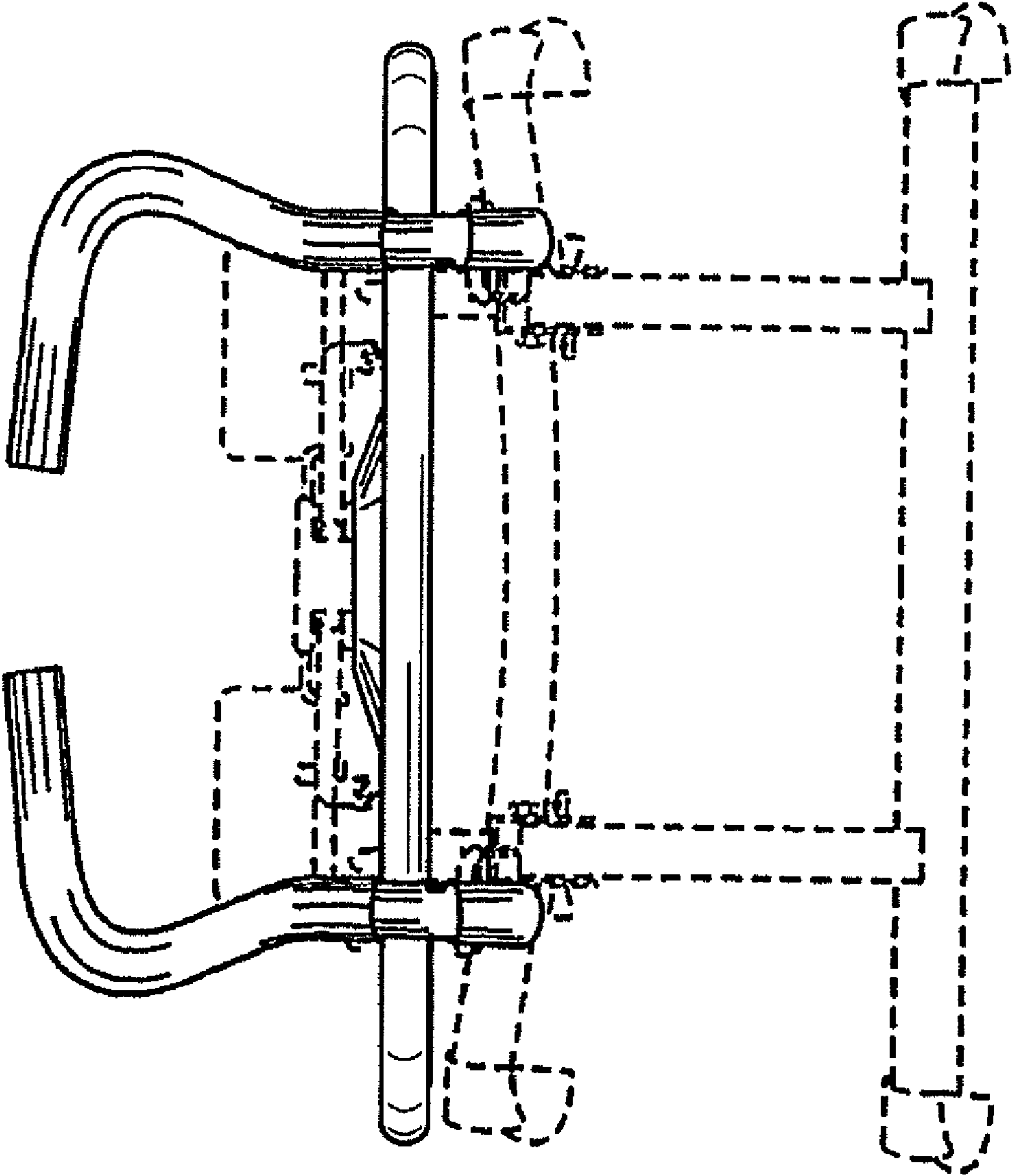


FIG. 5



**FIG. 6**



**FIG. 7**



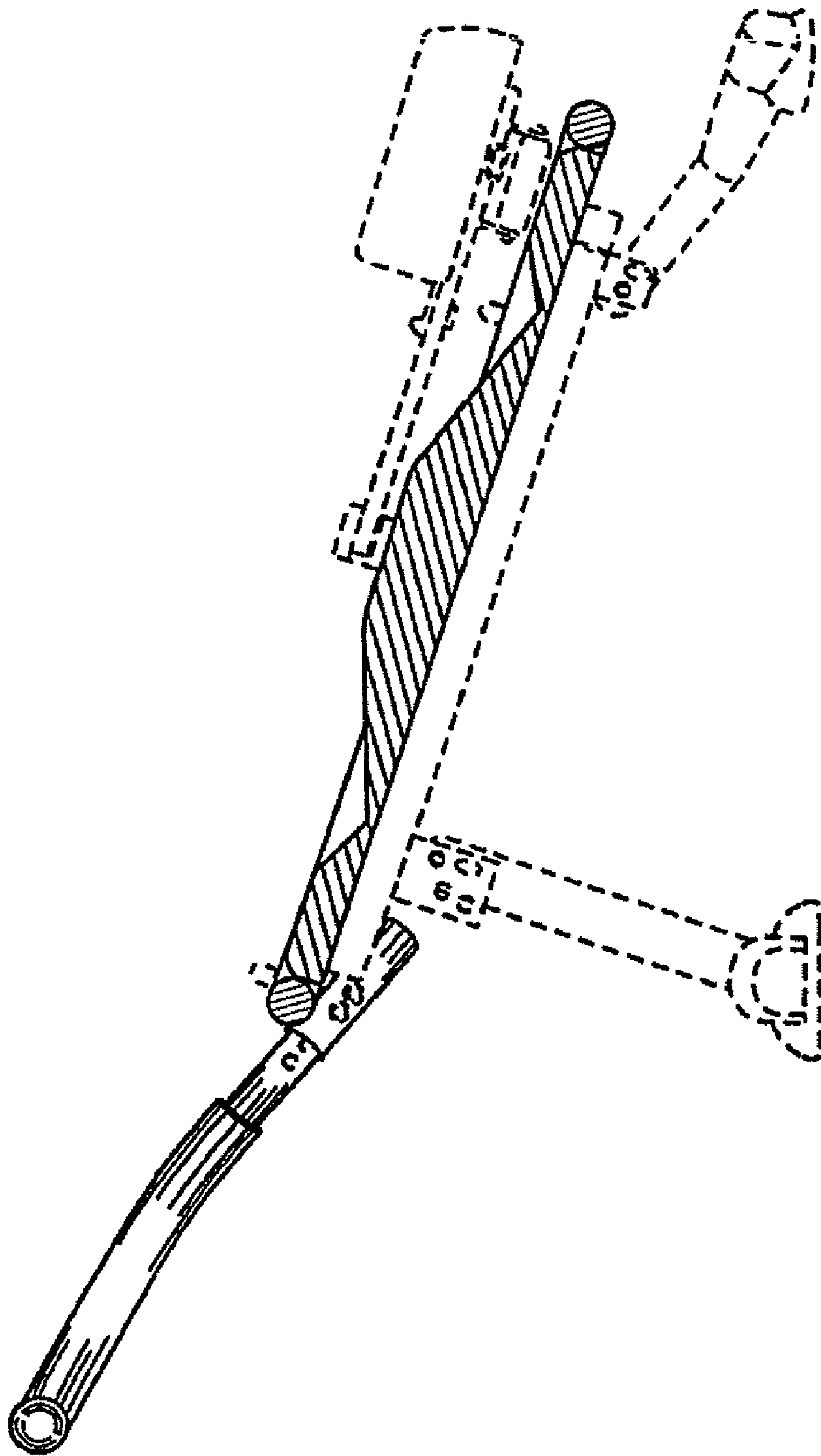
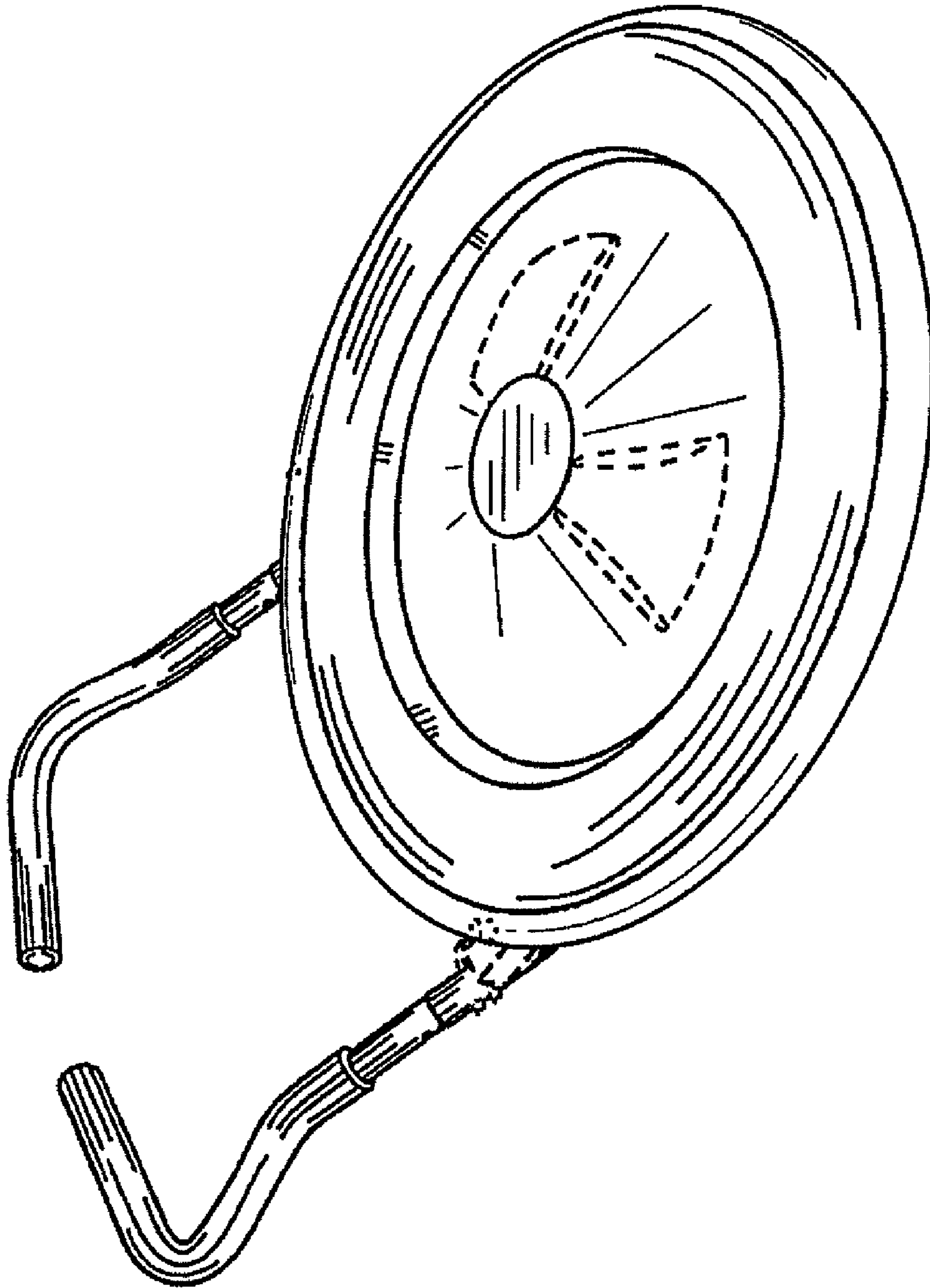
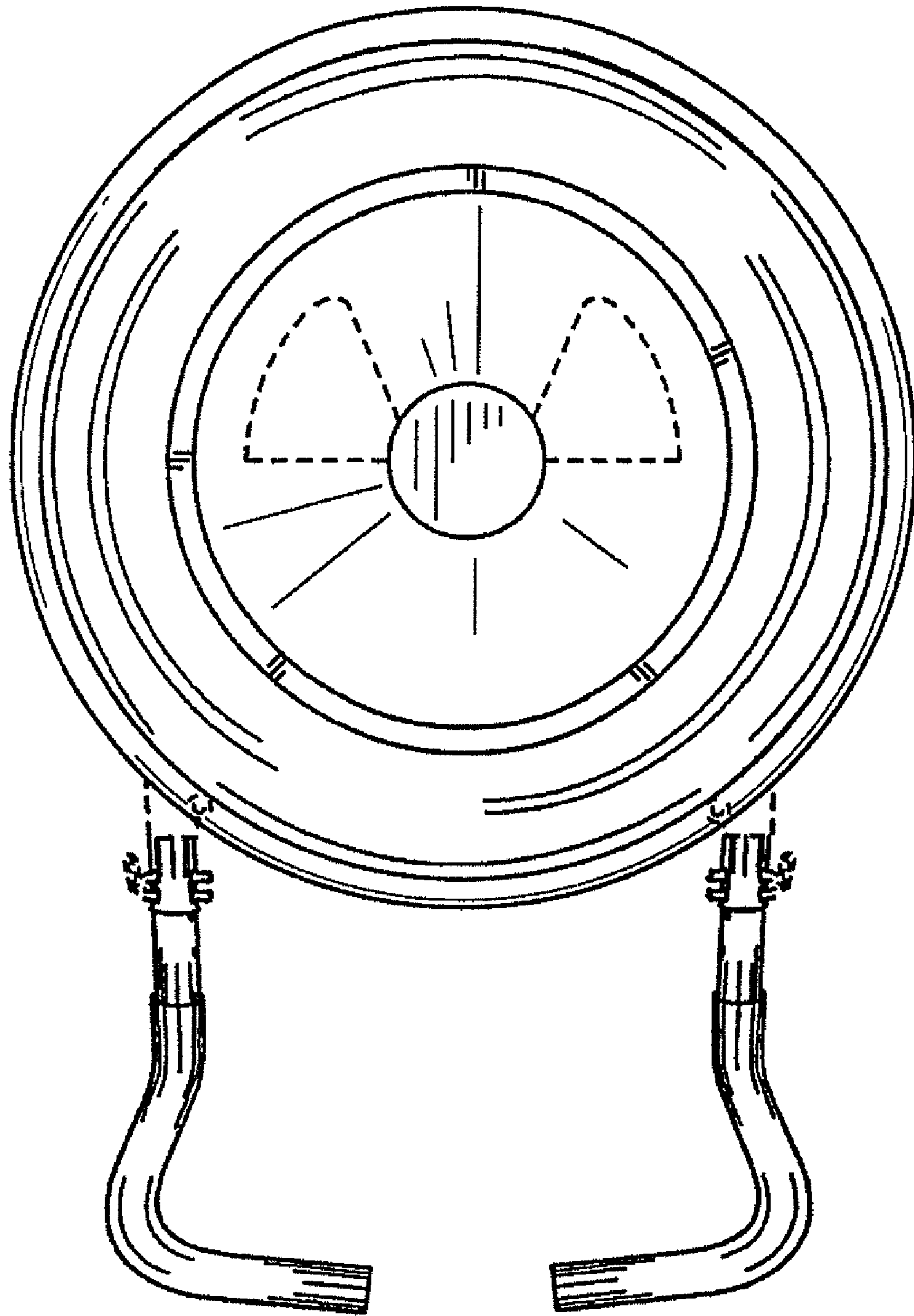


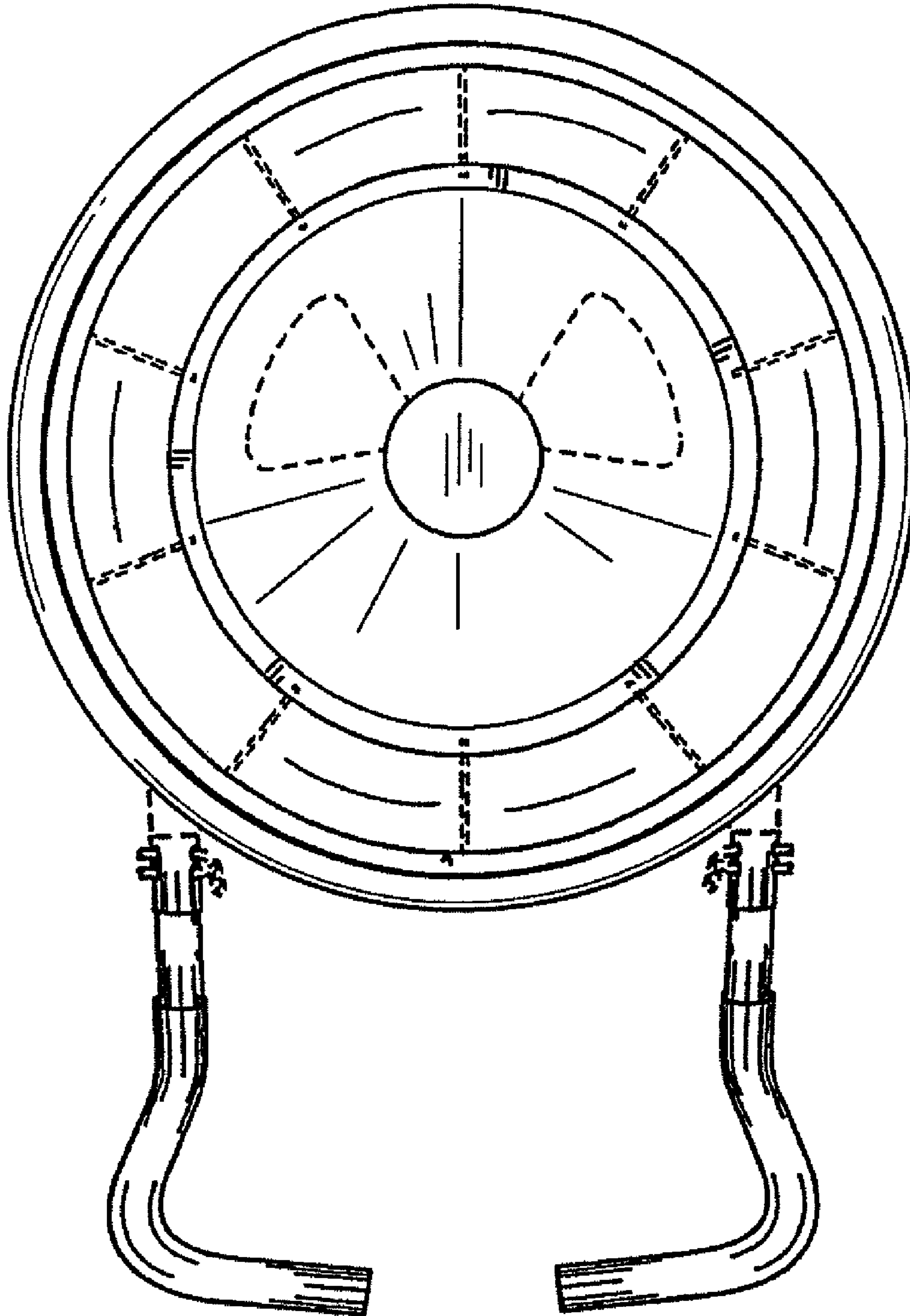
FIG. 8



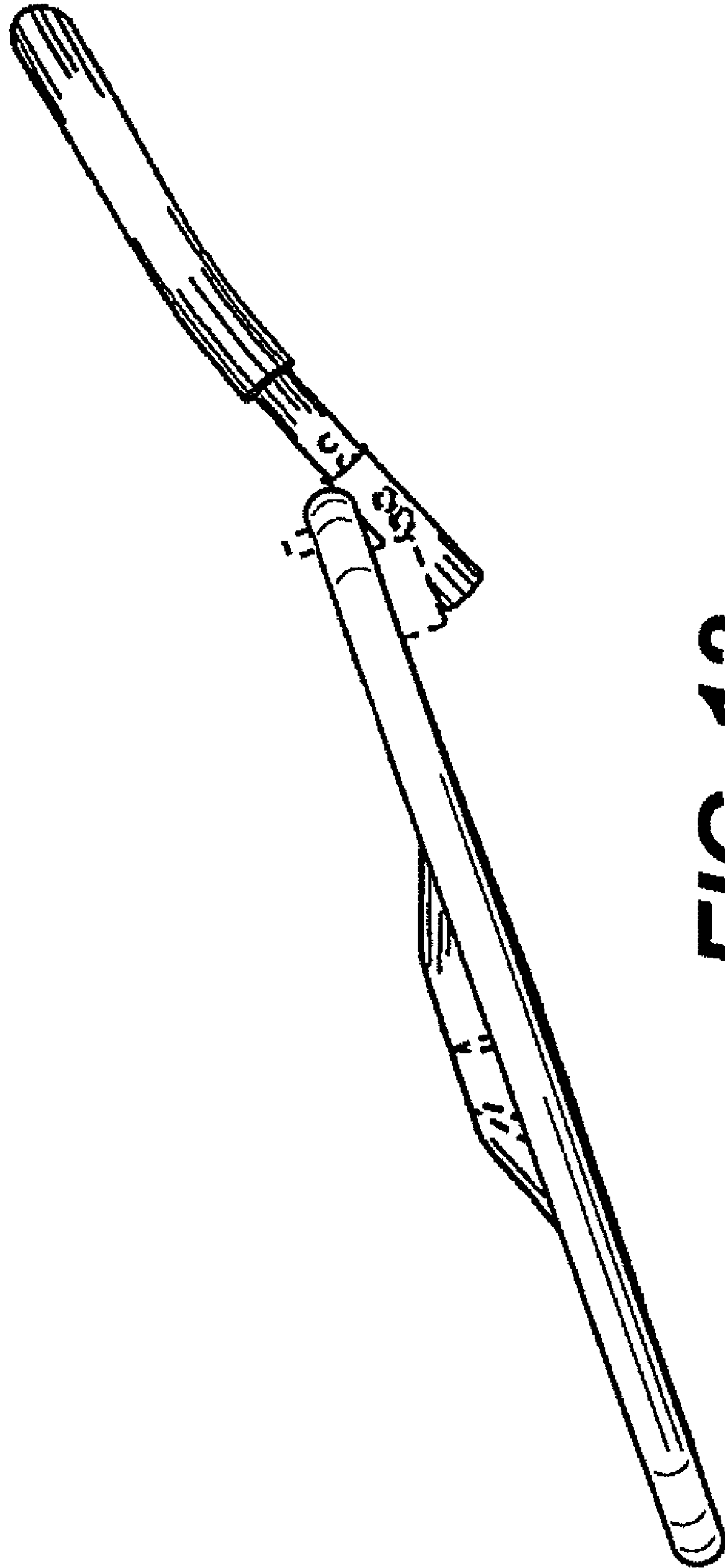
**FIG. 9**



**FIG. 10**

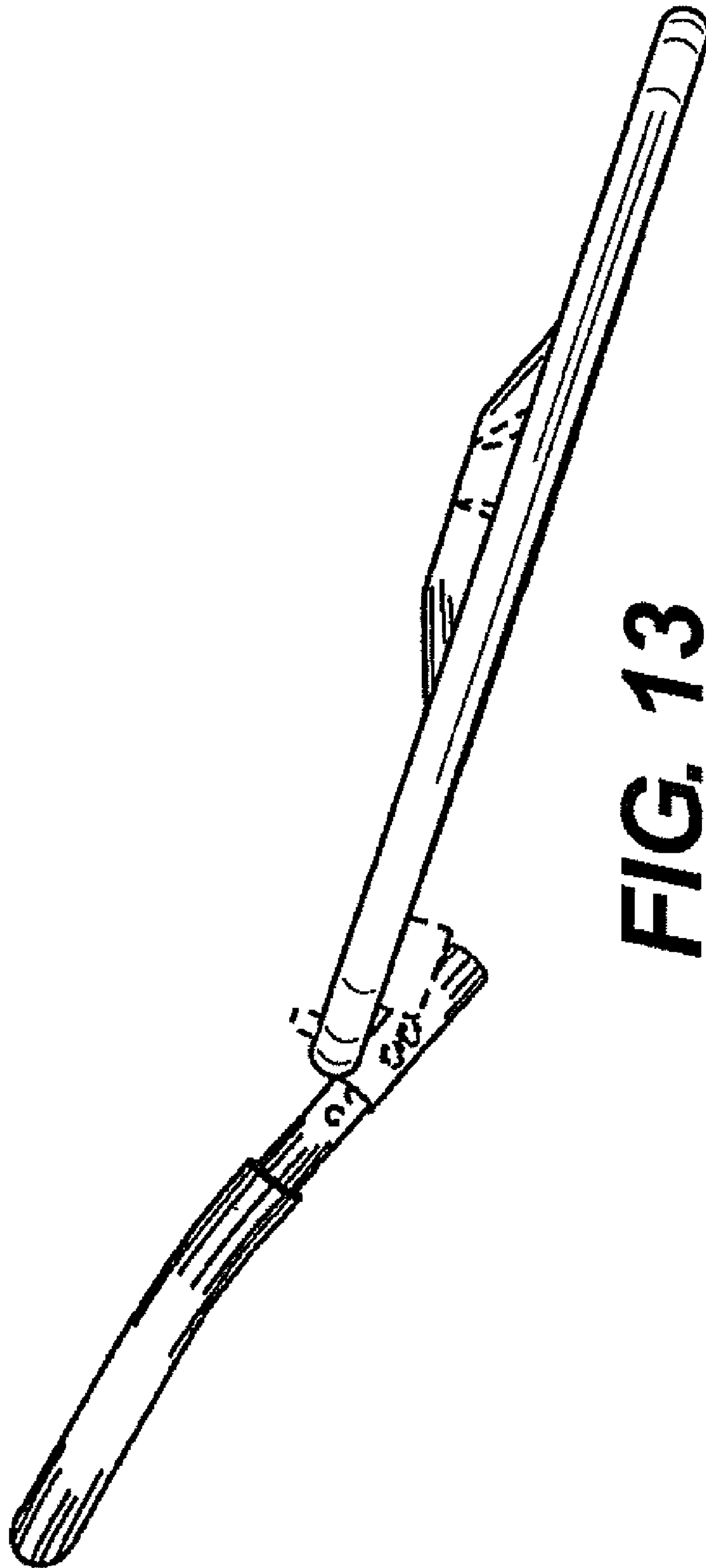


**FIG. 11**

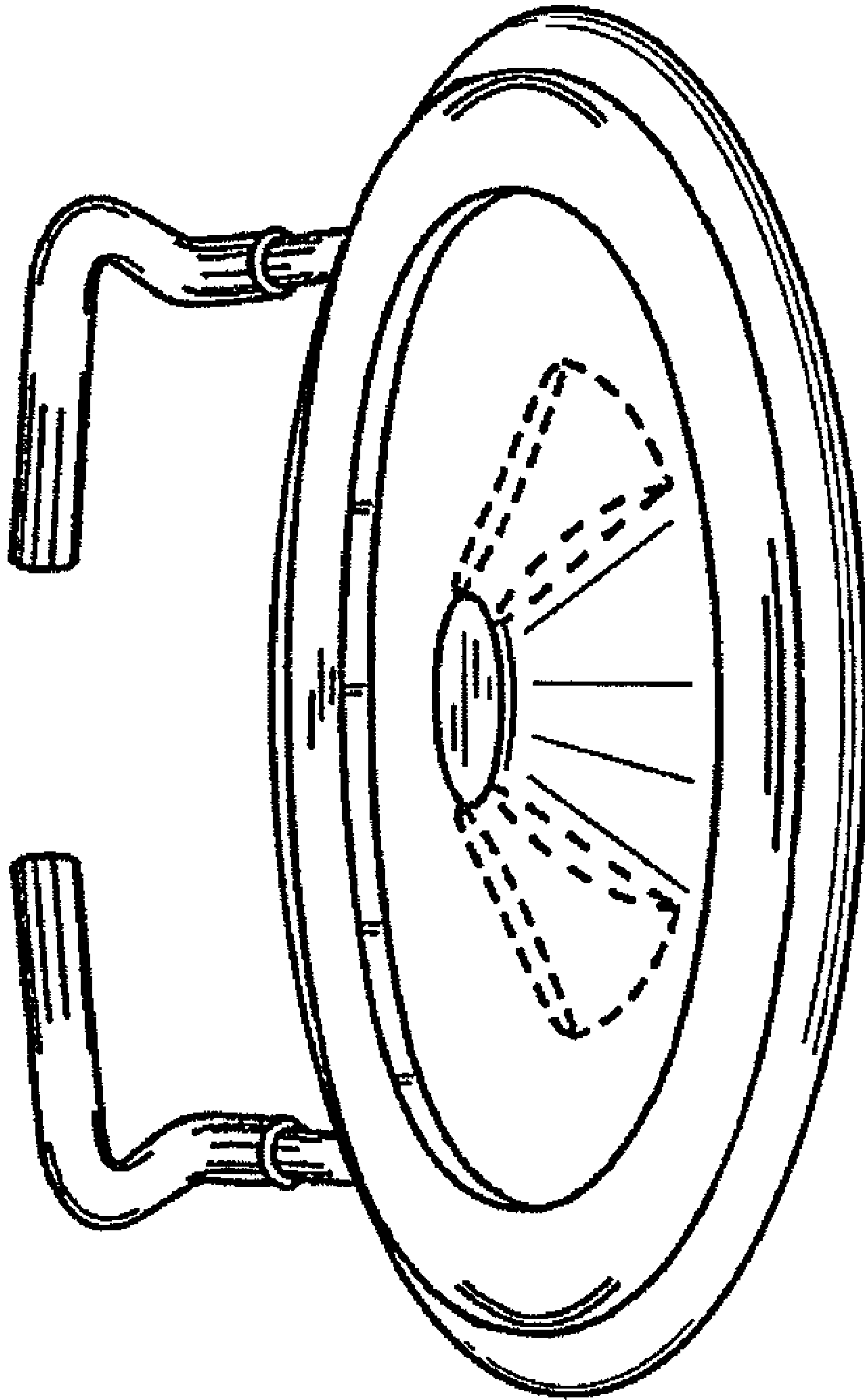


**FIG. 12**

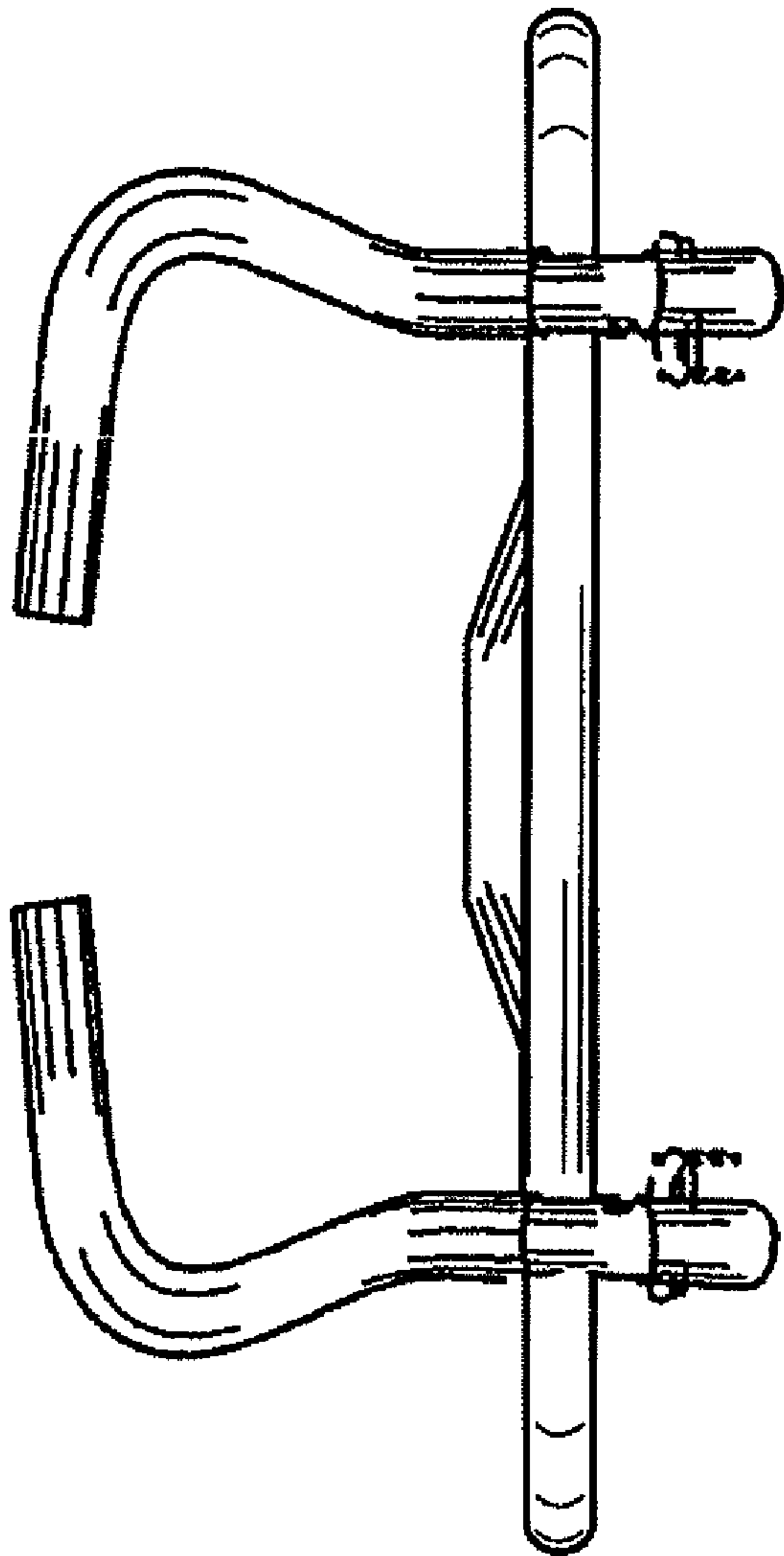




**FIG. 13**



**FIG. 14**



**FIG. 15**