



US00D613350S

(12) **United States Design Patent**
Fenster

(10) **Patent No.:** **US D613,350 S**

(45) **Date of Patent:** **** Apr. 6, 2010**

(54) **EXERCISE APPARATUS**

(75) Inventor: **Mrako A. Fenster**, Madison, WI (US)

(73) Assignee: **Johnson Health Tech Co., Ltd.**,
Taichung Hsien (TW)

(**) Term: **14 Years**

(21) Appl. No.: **29/342,347**

(22) Filed: **Aug. 24, 2009**

Related U.S. Application Data

(63) Continuation-in-part of application No. 29/314,057,
filed on Mar. 3, 2009.

(51) **LOC (9) Cl.** **21-02**

(52) **U.S. Cl.** **D21/675**

(58) **Field of Classification Search** D21/662-677,
D21/686-691, 694, 697; 482/51-52, 57-59,
482/61-65, 70, 97, 99, 100

See application file for complete search history.

(56) **References Cited**

U.S. PATENT DOCUMENTS

5,643,152	A *	7/1997	Simonson	482/100
5,667,464	A *	9/1997	Simonson	482/97
6,071,216	A *	6/2000	Giannelli et al.	482/100
6,142,917	A *	11/2000	Giannelli et al.	482/100
6,152,864	A *	11/2000	Giannelli et al.	482/100

6,254,516	B1 *	7/2001	Giannelli et al.	482/100
6,409,637	B1 *	6/2002	Webber et al.	482/99
D491,238	S *	6/2004	Giannelli et al.	D21/676
D493,854	S *	8/2004	Grider	D21/694
D516,144	S *	2/2006	Panatta	D21/676
D574,449	S *	8/2008	Webber et al.	D21/675
2003/0092543	A1 *	5/2003	Giannelli	482/100
2004/0005967	A1 *	1/2004	Panatta	482/100

* cited by examiner

Primary Examiner—Philip S Hyder

Assistant Examiner—Susan E Krakower

(57) **CLAIM**

The ornamental design for a exercise apparatus, as shown and described.

DESCRIPTION

FIG. 1 is a perspective view of the exercise apparatus;

FIG. 2 is a front elevational view of the exercise apparatus;

FIG. 3 is a rear elevational view of the exercise apparatus;

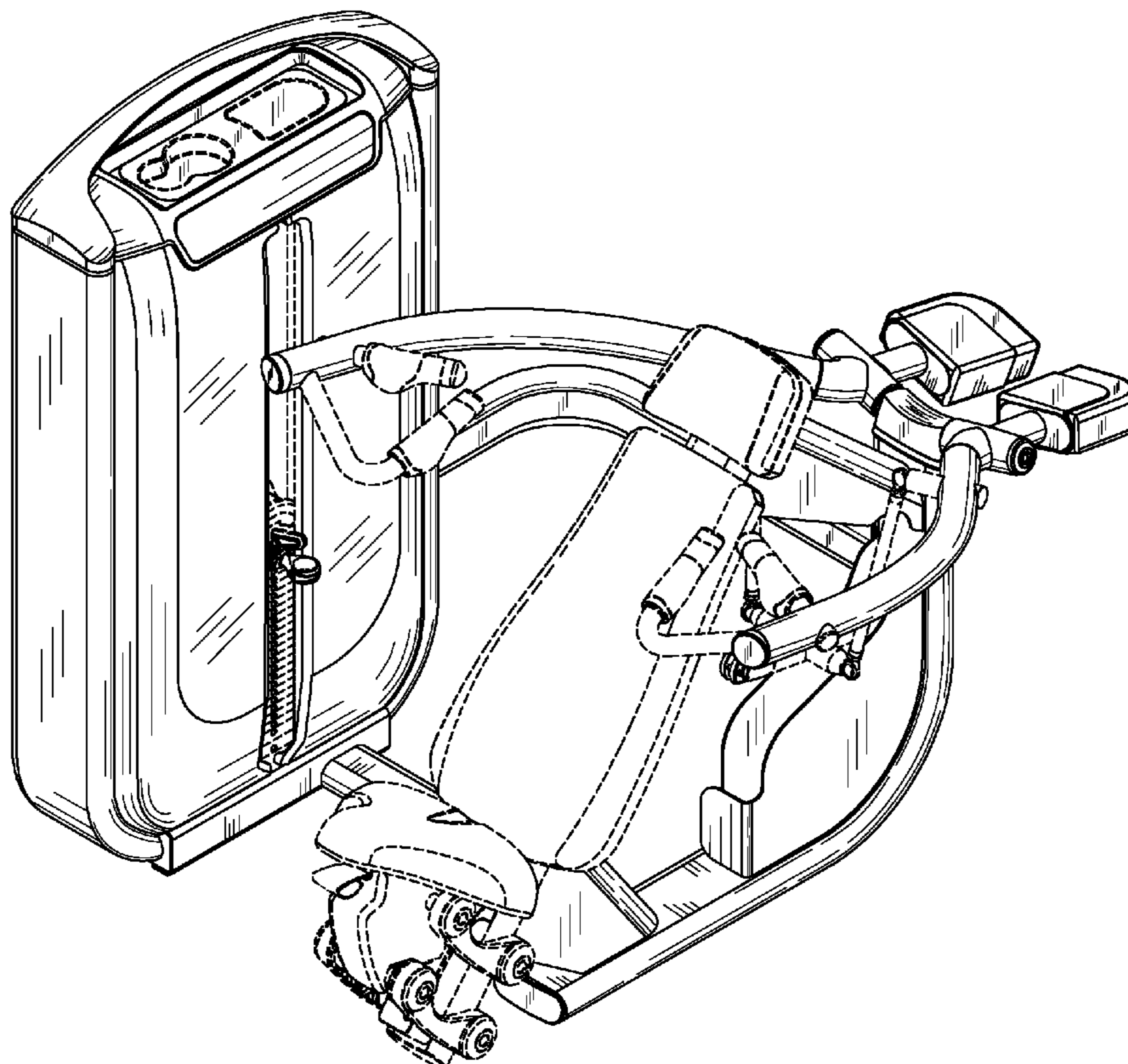
FIG. 4 is a left side elevational view of the exercise apparatus;

FIG. 5 is a right side elevational view of the exercise apparatus; and,

FIG. 6 is a top plan view of the exercise apparatus.

The broken lines in the drawings depict unclaimed environmental subject matter.

1 Claim, 6 Drawing Sheets



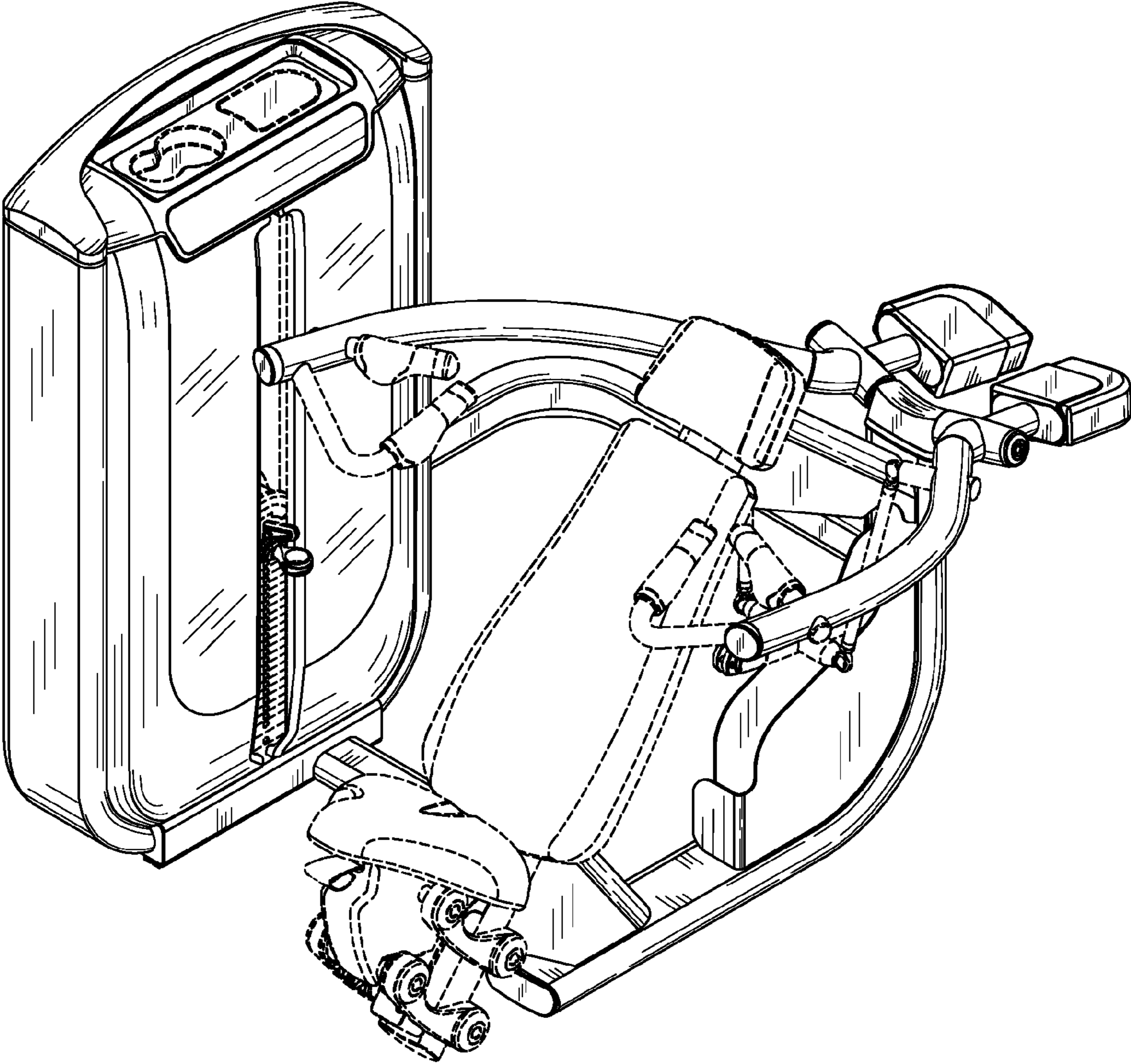


Fig. 1

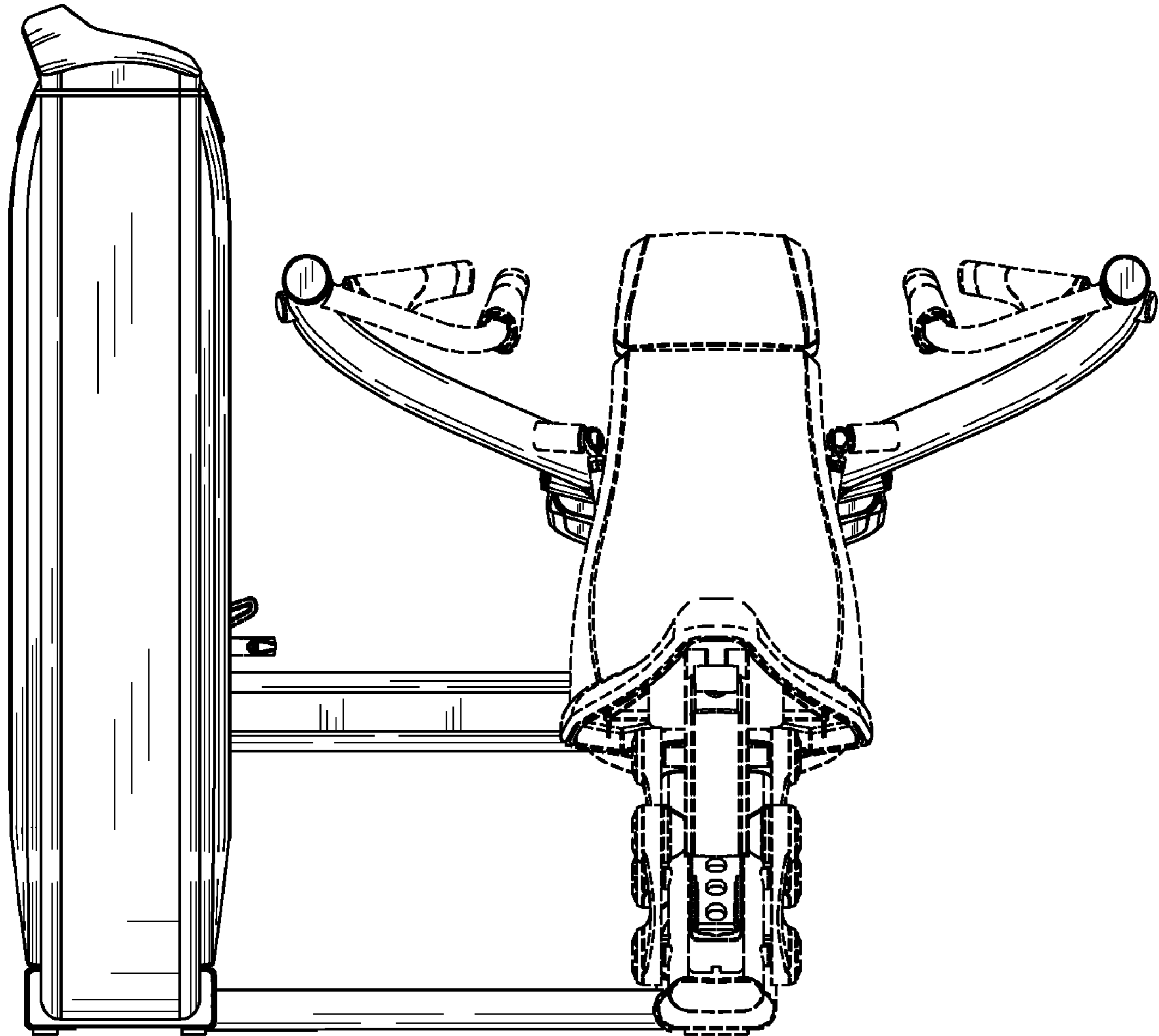


Fig. 2

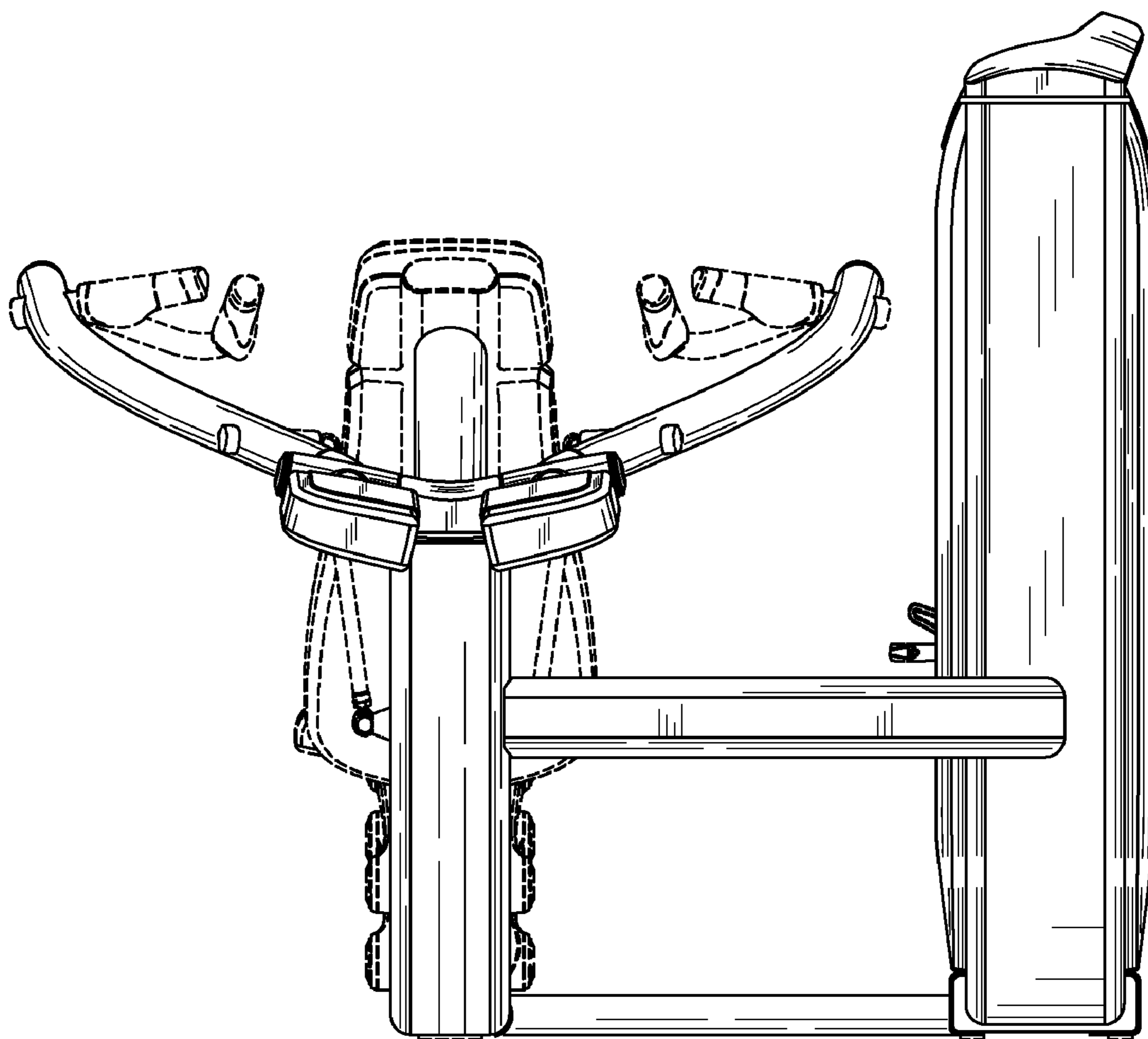


Fig. 3

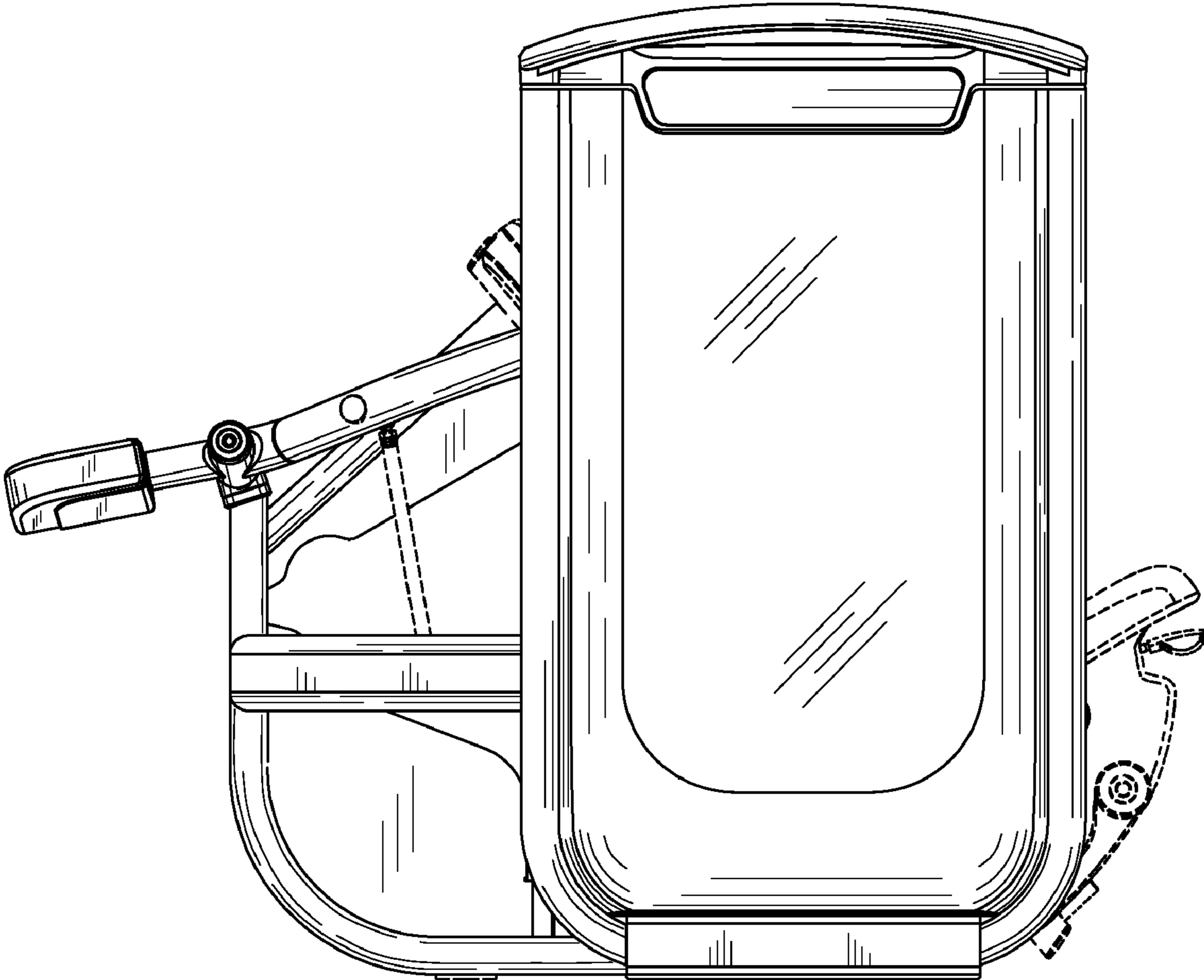


Fig. 4

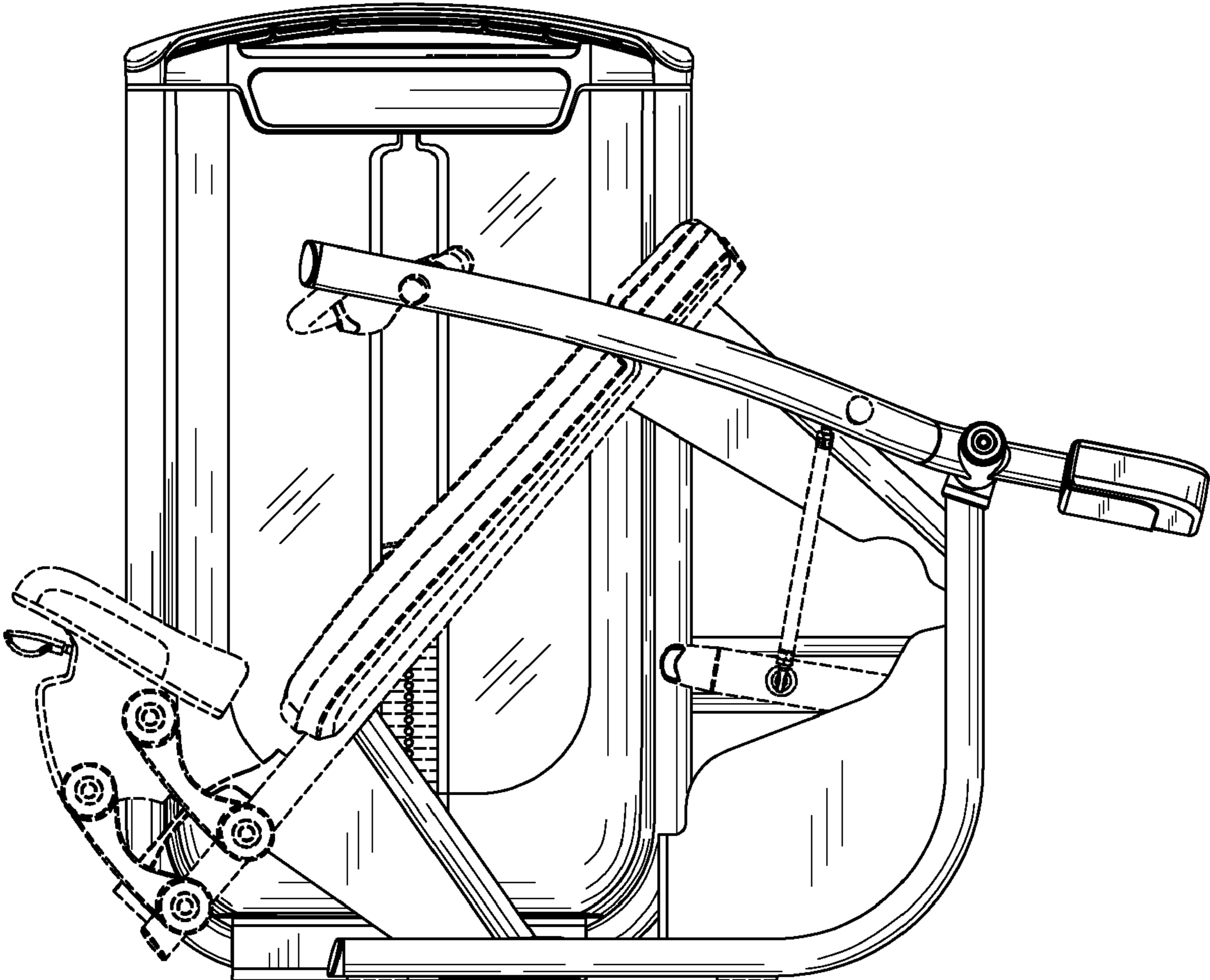


Fig. 5

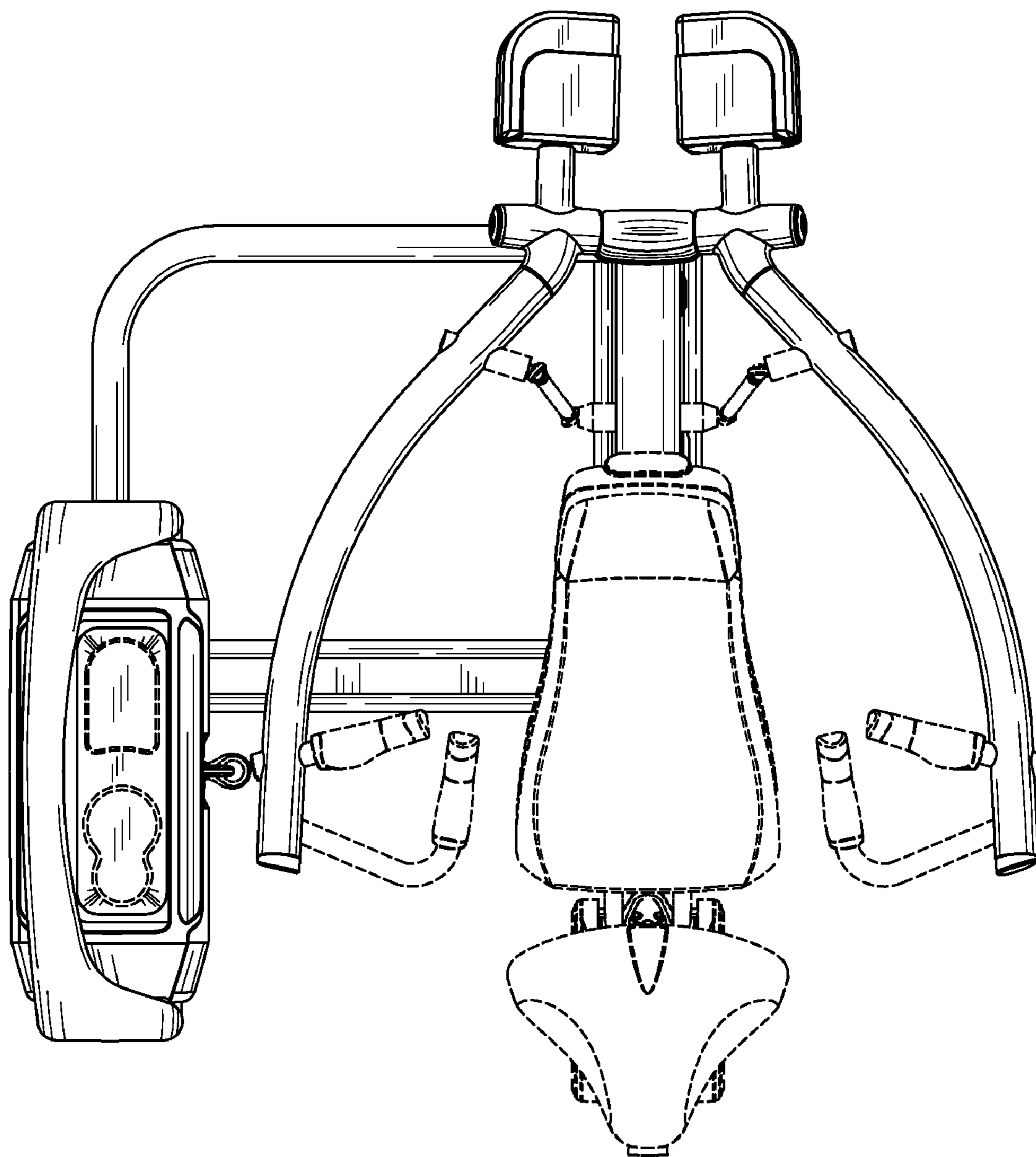


Fig. 6