



US00D613345S

(12) **United States Design Patent**  
**Halmone**

(10) **Patent No.:** **US D613,345 S**  
(45) **Date of Patent:** **\*\* Apr. 6, 2010**

(54) **PAINTBALL GUN**

(75) Inventor: **Fabrice N. V. Halmone**, Ville la Grand (FR)

(73) Assignee: **Kingman International Corporation**, Baldwin Park, CA (US)

(\*\*) Term: **14 Years**

(21) Appl. No.: **29/330,115**

(22) Filed: **Dec. 29, 2008**

(51) **LOC (9) Cl.** ..... **21-01**

(52) **U.S. Cl.** ..... **D21/573**

(58) **Field of Classification Search** ..... D21/567,  
D21/570-575; D22/100, 101, 103, 104,  
D22/108, 109; 124/41.1, 45, 49, 50, 51.1,  
124/55, 56, 69, 70-79, 80; 42/54; 446/401,  
446/405, 406

See application file for complete search history.

(56) **References Cited**

**U.S. PATENT DOCUMENTS**

- D536,043 S \* 1/2007 Tippmann et al. .... D21/573
- D557,755 S \* 12/2007 Greenman ..... D21/573
- D583,423 S \* 12/2008 Kaakkola et al. .... D21/570

2003/0024519 A1\* 2/2003 Chen ..... 124/72  
\* cited by examiner

*Primary Examiner*—Philip S Hyder  
*Assistant Examiner*—Cynthia M Chin  
(74) *Attorney, Agent, or Firm*—Blakely Sokoloff Taylor & Zafman LLP

(57) **CLAIM**

The ornamental design for a paintball gun, as shown and described.

**DESCRIPTION**

FIG. 1 is a perspective view of a paintball gun of the invention.

FIG. 2 is a left side view of the paintball gun of FIG. 1.

FIG. 3 is a right side view of the paintball gun of FIG. 1.

FIG. 4 is a rear view of the paintball gun of FIG. 1.

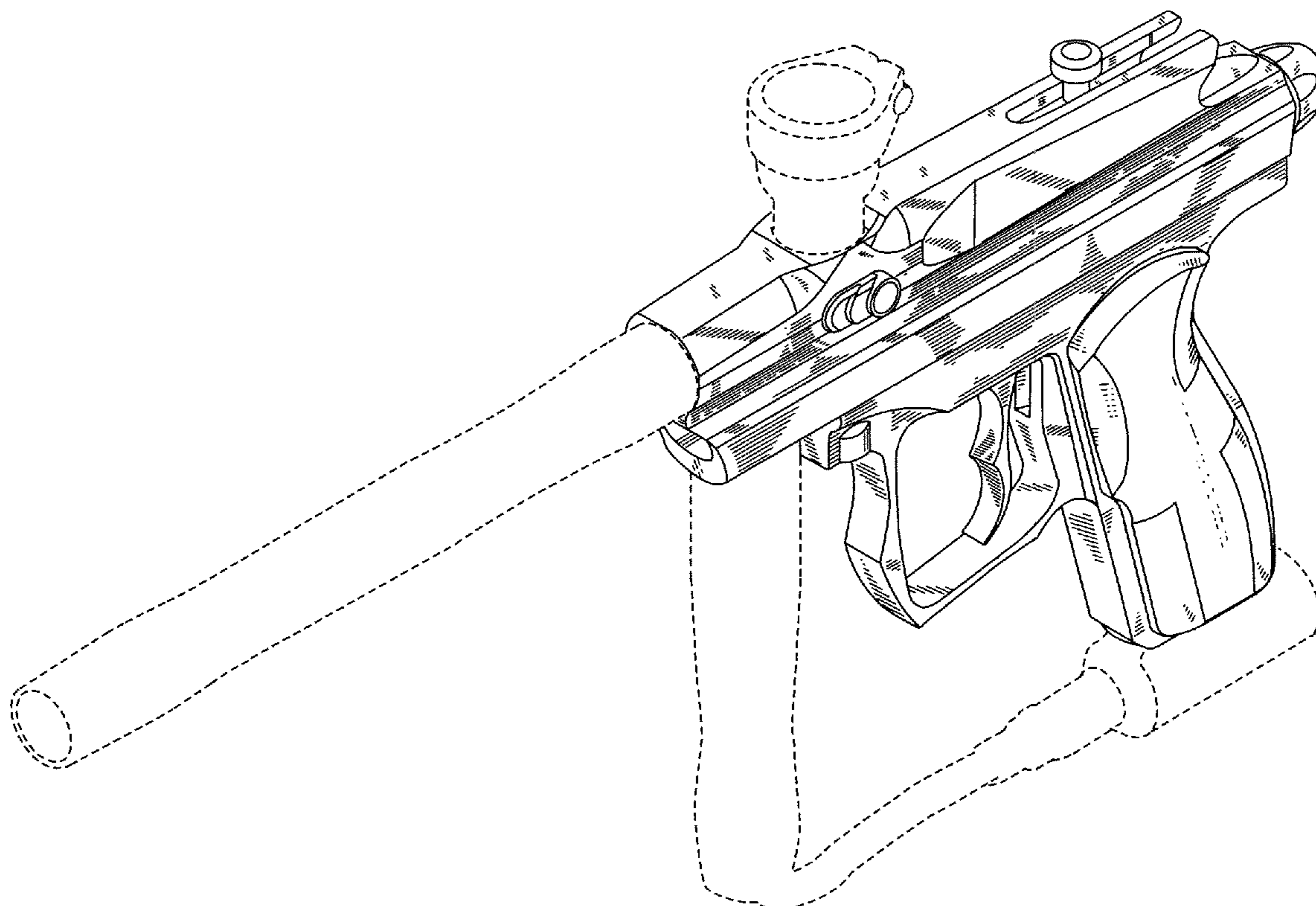
FIG. 5 is a front view of the paintball gun of FIG. 1.

FIG. 6 is a top view of the paintball gun of FIG. 1; and,

FIG. 7 is a bottom view of the paintball gun of FIG. 1.

The broken lines in the figures are for environmental purpose only and form no part of the claimed design.

**1 Claim, 5 Drawing Sheets**



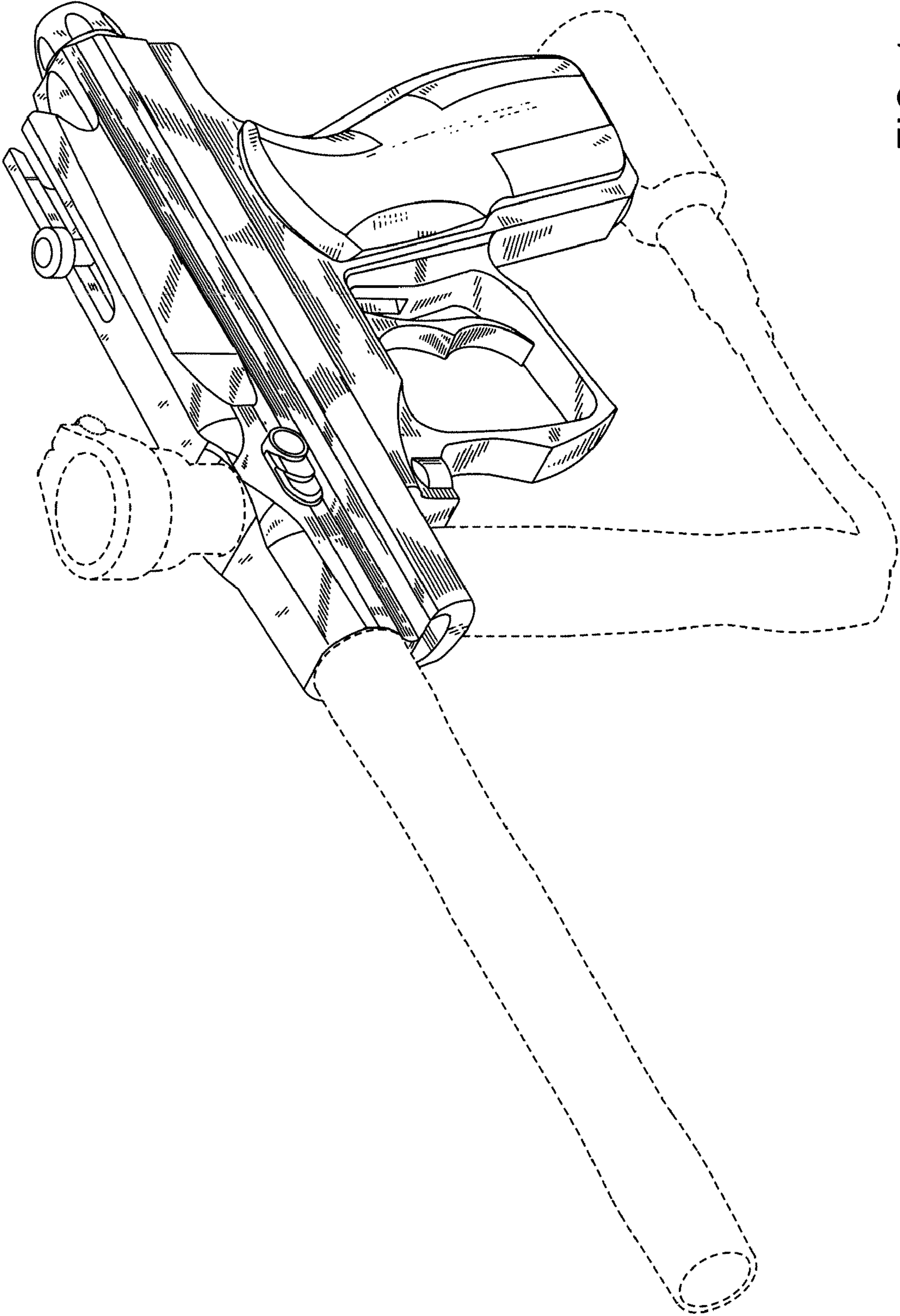


FIG. 1

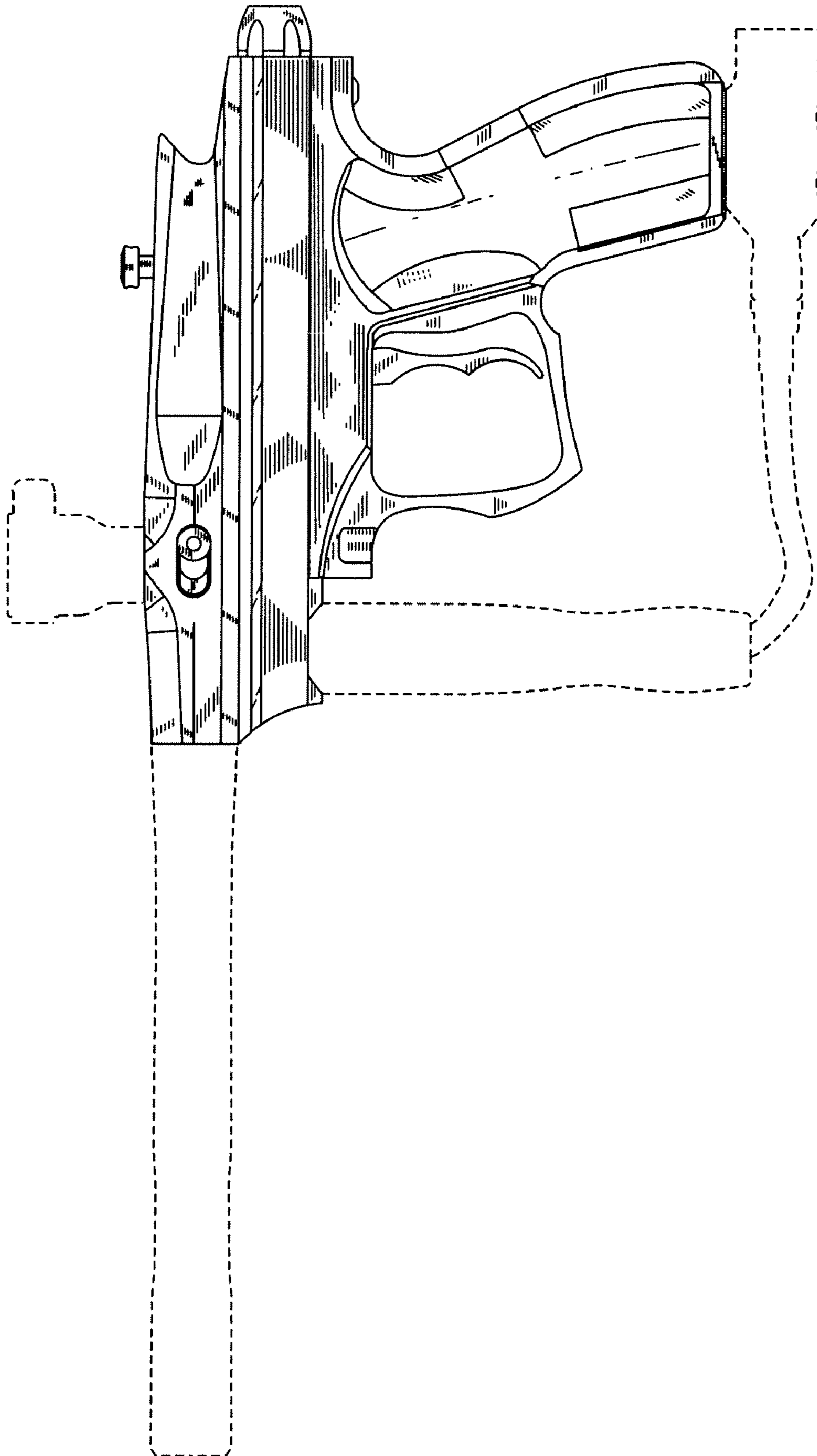


FIG. 2

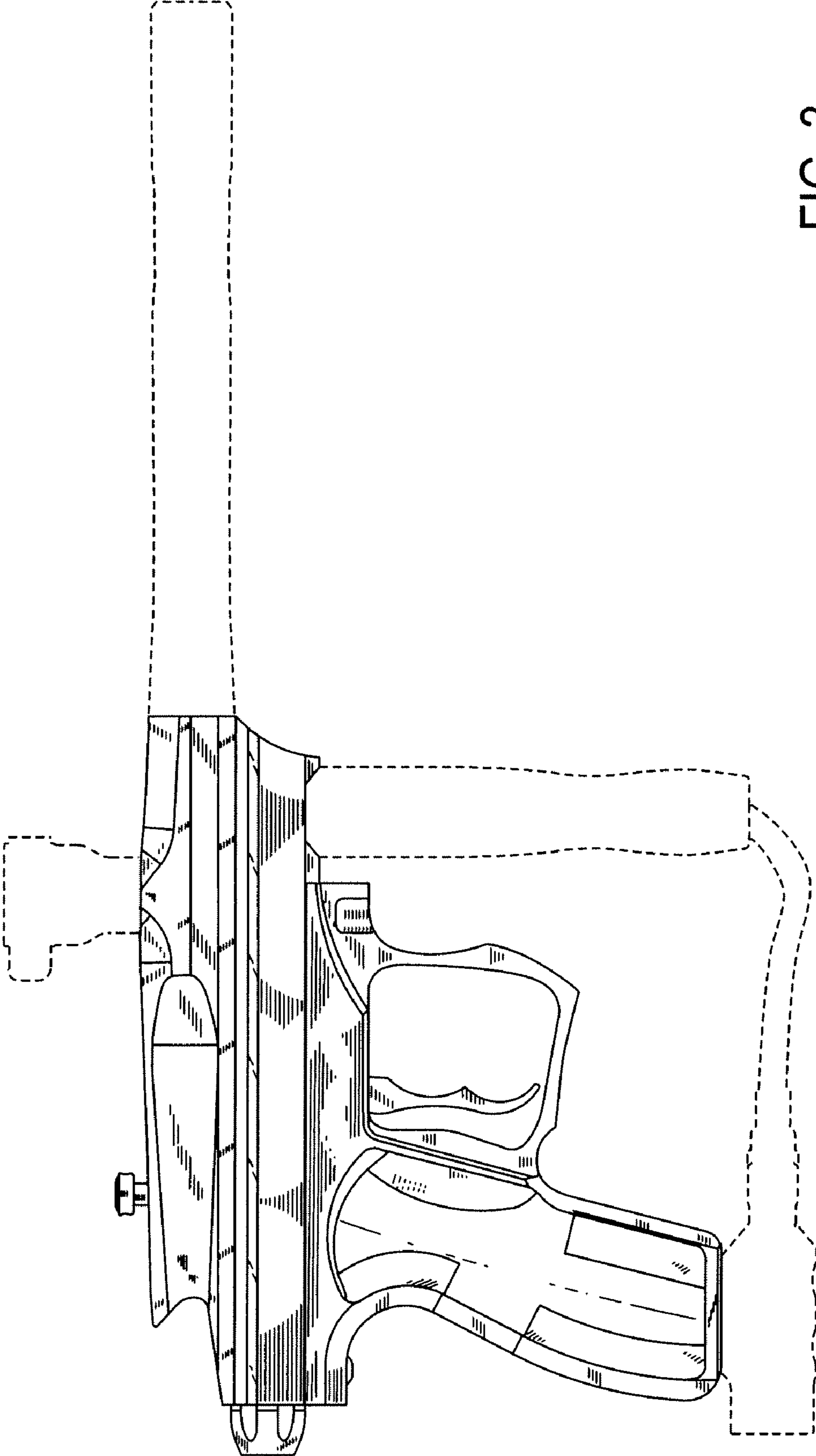


FIG. 3

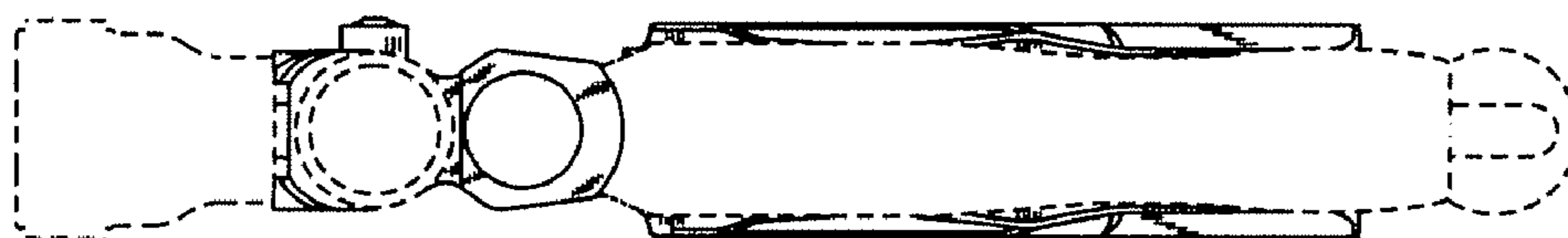


FIG. 5

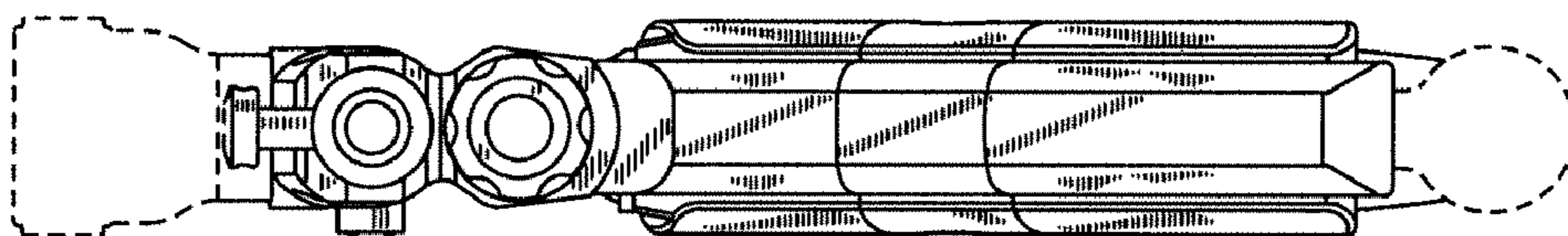


FIG. 4

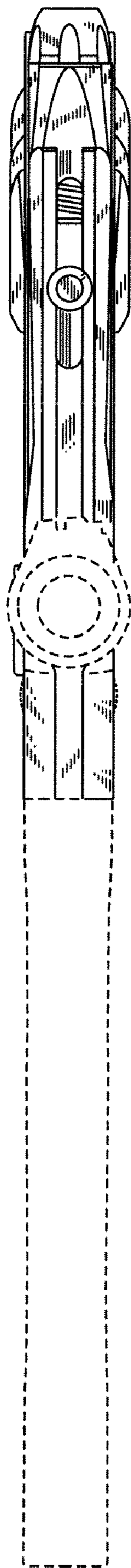


FIG. 6

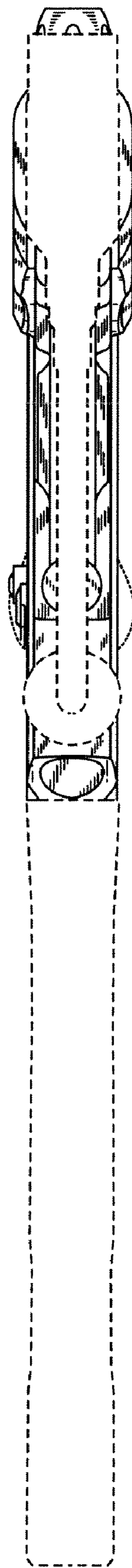


FIG. 7