



US00D613337S

(12) **United States Design Patent**
Pearson

(10) **Patent No.:** **US D613,337 S**

(45) **Date of Patent:** **** Apr. 6, 2010**

(54) **CLIP PEN**

(75) Inventor: **Arthur Scott Pearson**, Upland, CA
(US)

(73) Assignee: **Sweda Company, LLC**, City of Industry

(**) Term: **14 Years**

(21) Appl. No.: **29/308,027**

(22) Filed: **May 22, 2008**

(51) **LOC (9) Cl.** **19-06**

(52) **U.S. Cl.** **D19/50**

(58) **Field of Classification Search** D19/35,
D19/36, 41, 42, 43, 44, 45, 46, 47, 48, 49,
D19/50, 51, 54, 55, 56, 57; 24/11 F, 11 P,
24/11 R; 401/6, 52, 99, 100, 104, 105, 106,
401/107, 108, 109, 192, 195, 243, 244, 245,
401/246, 247; 362/118

See application file for complete search history.

(56) **References Cited**

U.S. PATENT DOCUMENTS

D138,825 S * 9/1944 Waldinger D19/50
D346,401 S * 4/1994 Sakuno D19/48
D404,070 S * 1/1999 Hasegawa D19/51
D418,872 S * 1/2000 Leibeck D19/50
D442,226 S * 5/2001 Briggl D19/50
D499,137 S * 11/2004 Shibata D19/43

D506,781 S * 6/2005 Koch D19/50
D525,302 S * 7/2006 Togawa D19/51
D551,710 S * 9/2007 Tsuchida D19/51
D559,317 S * 1/2008 Ikeda D19/51
D577,067 S * 9/2008 Koch D19/51
D586,393 S * 2/2009 Nishida D19/49

FOREIGN PATENT DOCUMENTS

EM 000032974-0002 * 9/2003

* cited by examiner

Primary Examiner—Elizabeth A Albert
Assistant Examiner—Karen E Eldridge Powers
(74) *Attorney, Agent, or Firm*—Clement Cheng

(57) **CLAIM**

The ornamental design for a clip pen, as shown and described.

DESCRIPTION

FIG. 1 is a perspective view.

FIG. 2 is a front view.

FIG. 3 is a rear side view.

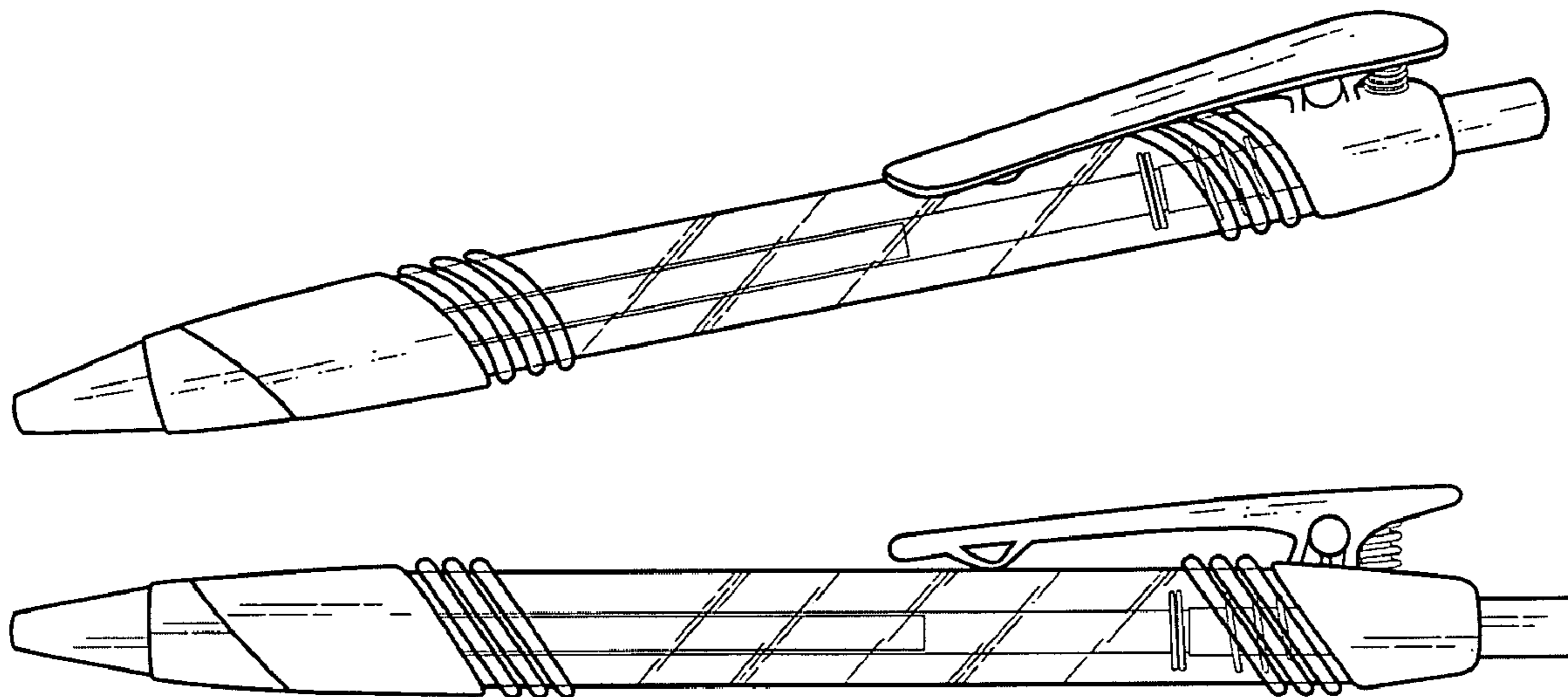
FIG. 4 is a left side view.

FIG. 5 is a right side view.

FIG. 6 is a bottom view; and,

FIG. 7 is a top view.

1 Claim, 1 Drawing Sheet



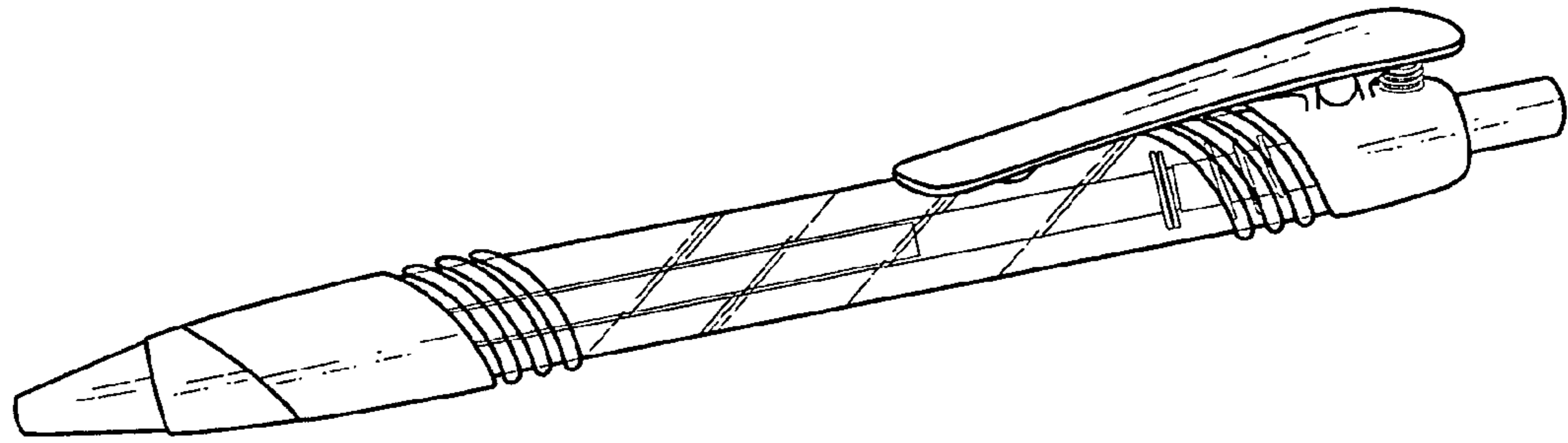


Fig.1

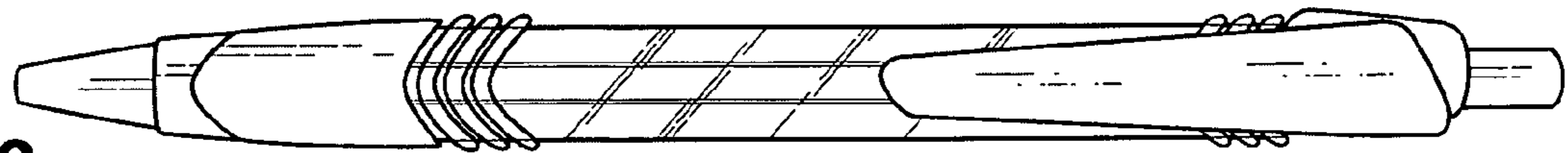


Fig.2

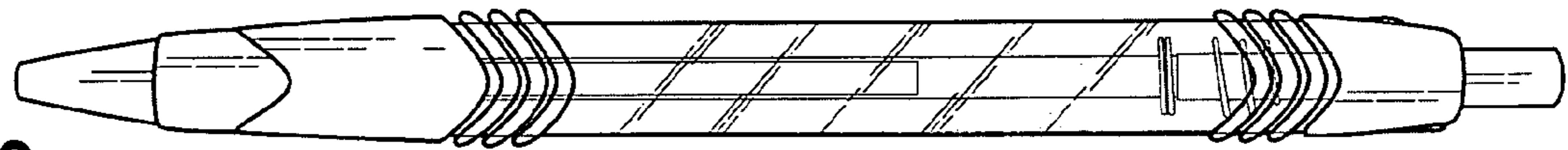


Fig.3

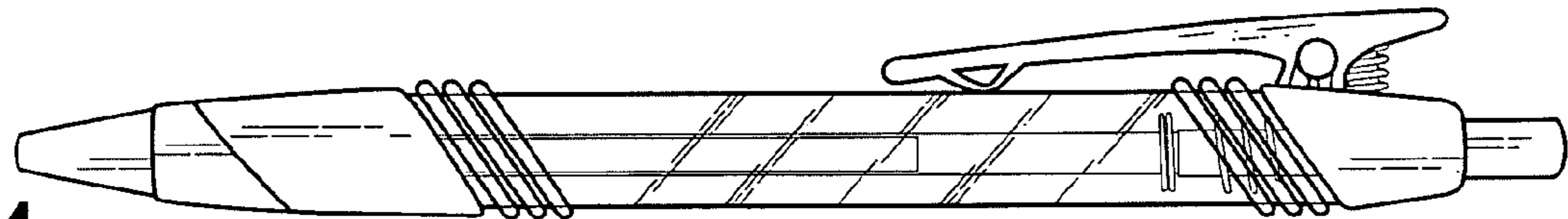


Fig.4

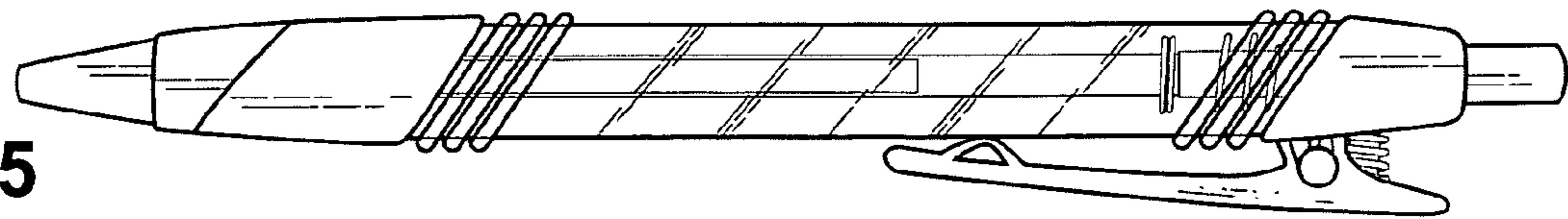


Fig.5

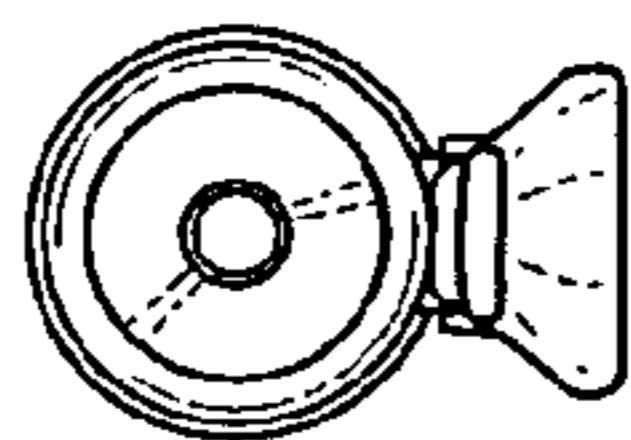


Fig.6

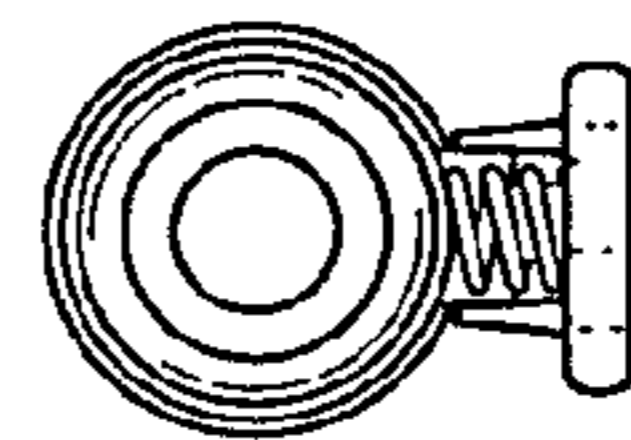


Fig.7