

US00D613334S

(12) **United States Design Patent**
Halbur et al.

(10) **Patent No.:** **US D613,334 S**
(45) **Date of Patent:** **** Apr. 6, 2010**

(54) **FINANCIAL TRANSACTION CARD PORTION**

(75) Inventors: **Ted C. Halbur**, Lino Lakes, MN (US);
Adam W. Reynolds, Minneapolis, MN (US)

(73) Assignee: **Target Brands, Inc.**, Minneapolis, MN (US)

(**) Term: **14 Years**

(21) Appl. No.: **29/318,903**

(22) Filed: **May 30, 2008**

(51) **LOC (9) Cl.** **19-08**

(52) **U.S. Cl.** **D19/9**

(58) **Field of Classification Search** D19/1-34;
40/124.01-124.15, 672, 661, 726, 776, 617,
40/790; 206/449; D21/430, 436, 450, 455,
D21/458; D20/10, 11, 22, 23, 29, 32, 27,
D20/40, 42; D14/435-437; D11/91, 89,
D11/90, 92, 93, 1, 2, 6-12, 16, 24-28, 34-43,
D11/79, 70, 222, 47, 75; 63/1.11-14.1, 15-15.4,
63/20, 22, 23, 26-33; D23/370-380, 249;
D8/366, 379, 398; 261/30
See application file for complete search history.

(56) **References Cited**

U.S. PATENT DOCUMENTS

744,545 A 11/1903 Hervey
966,107 A 8/1910 Lowe
976,495 A 11/1910 Reeves
1,041,573 A 10/1912 Baring-Gould
1,546,928 A 7/1925 Graham
1,618,710 A 2/1927 Hose
1,951,022 A 3/1934 Iverson
2,476,742 A 7/1949 Lareau et al.
2,728,167 A 12/1955 Knott
2,732,655 A 1/1956 Dirckx

2,787,852 A 4/1957 Youngren
2,834,123 A 5/1958 Knight
3,665,629 A * 5/1972 Shore 40/790
D234,212 S * 1/1975 Morin D21/430

(Continued)

FOREIGN PATENT DOCUMENTS

GB 2277482 A 11/1994

OTHER PUBLICATIONS

GiftCard with Rotating Pinwheel Offered for Sale at Target retail stores beginning Dec. 26, 2004 (2 pages).

(Continued)

Primary Examiner—T. Chase Nelson
Assistant Examiner—David G Muller
(74) *Attorney, Agent, or Firm*—Griffiths & Seaton PLLC

(57) **CLAIM**

The ornamental design for a financial transaction card portion, as shown and described.

DESCRIPTION

FIG. 1 is a front perspective view of a financial transaction card portion showing our new design;

FIG. 2 is a front view thereof;

FIG. 3 is a rear view thereof;

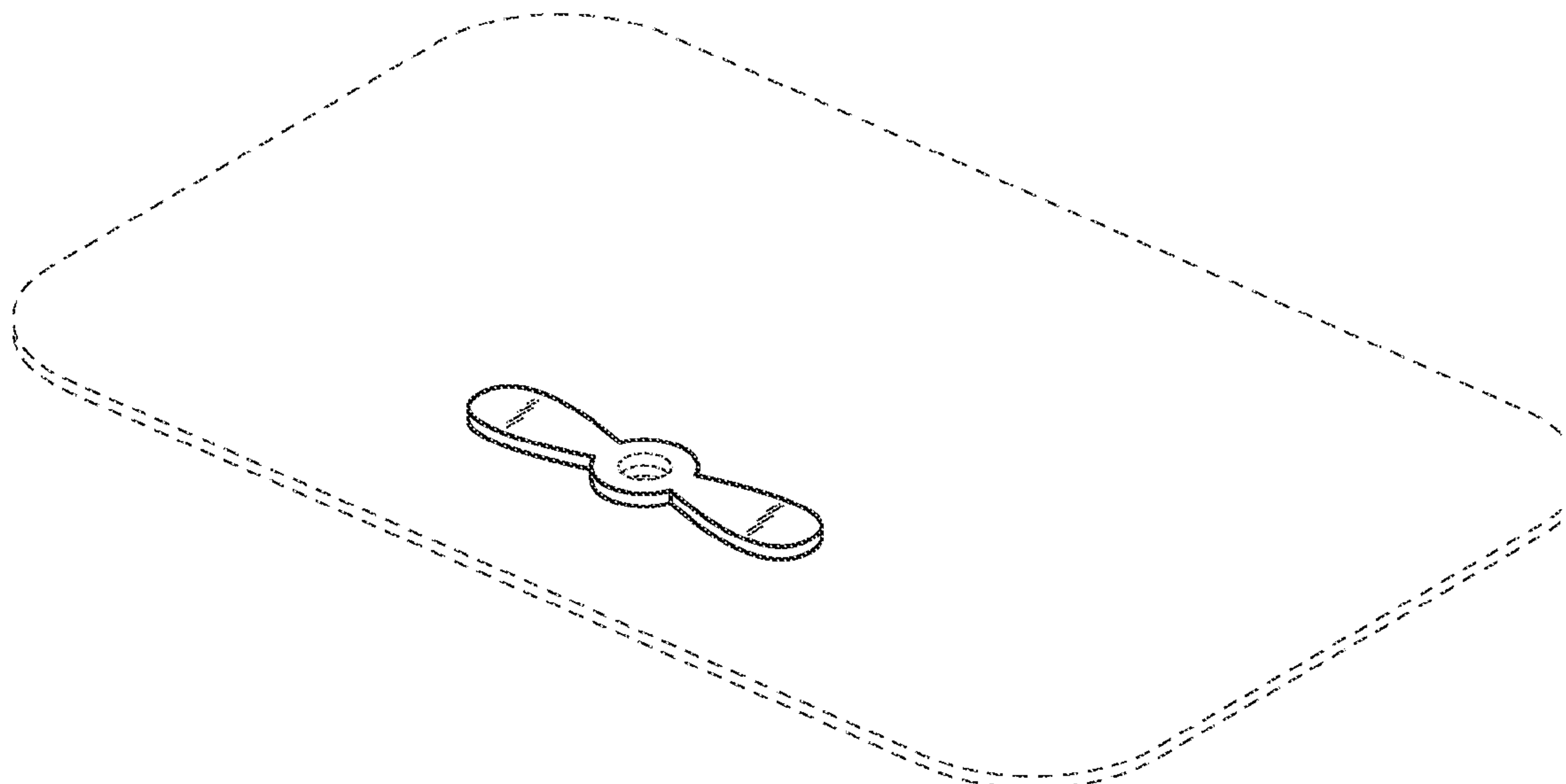
FIG. 4 is a rear view thereof with unclaimed subject matter removed from the figure to fully illustrate the claimed design;

FIG. 5 is a top view thereof, the bottom view being a mirror image of the top view; and,

FIG. 6 is a right side view thereof, the left side view being a mirror image of the right side view.

The broken lines shown in the figures are for illustrative purposes only and form no part of the claimed design.

1 Claim, 3 Drawing Sheets



US D613,334 S

Page 2

U.S. PATENT DOCUMENTS

4,054,242	A	10/1977	Strobe	
D258,157	S *	2/1981	Schoch	D21/450
D262,391	S *	12/1981	Kanaoki	D21/450
4,341,035	A	7/1982	Jaworski et al.	
D271,987	S *	12/1983	House	D21/450
D332,665	S *	1/1993	Garrison	D21/458
D344,539	S *	2/1994	Simmons	D19/1
5,871,237	A	2/1999	Hunt	
6,125,567	A *	10/2000	Roy	40/790
D522,052	S *	5/2006	Lubking	D19/10
D524,419	S *	7/2006	Lord	D23/249
7,070,172	B2 *	7/2006	Fabrega et al.	261/30
7,314,179	B1	1/2008	Halbur et al.	
2,573,625	A1	5/2008	Swart	
D602,571	S *	10/2009	Kwok	D23/249
2002/0096873	A1	7/2002	Scheinblum	
2005/0061889	A1	3/2005	McGee et al.	
2007/0155281	A1	7/2007	Chang	
2008/0191460	A1 *	8/2008	Blank	283/72

OTHER PUBLICATIONS

Reynolds et al., "Transaction Card with Movable Member," U.S. Appl. No. 11/965,474, filed Dec. 27, 2007.

* cited by examiner

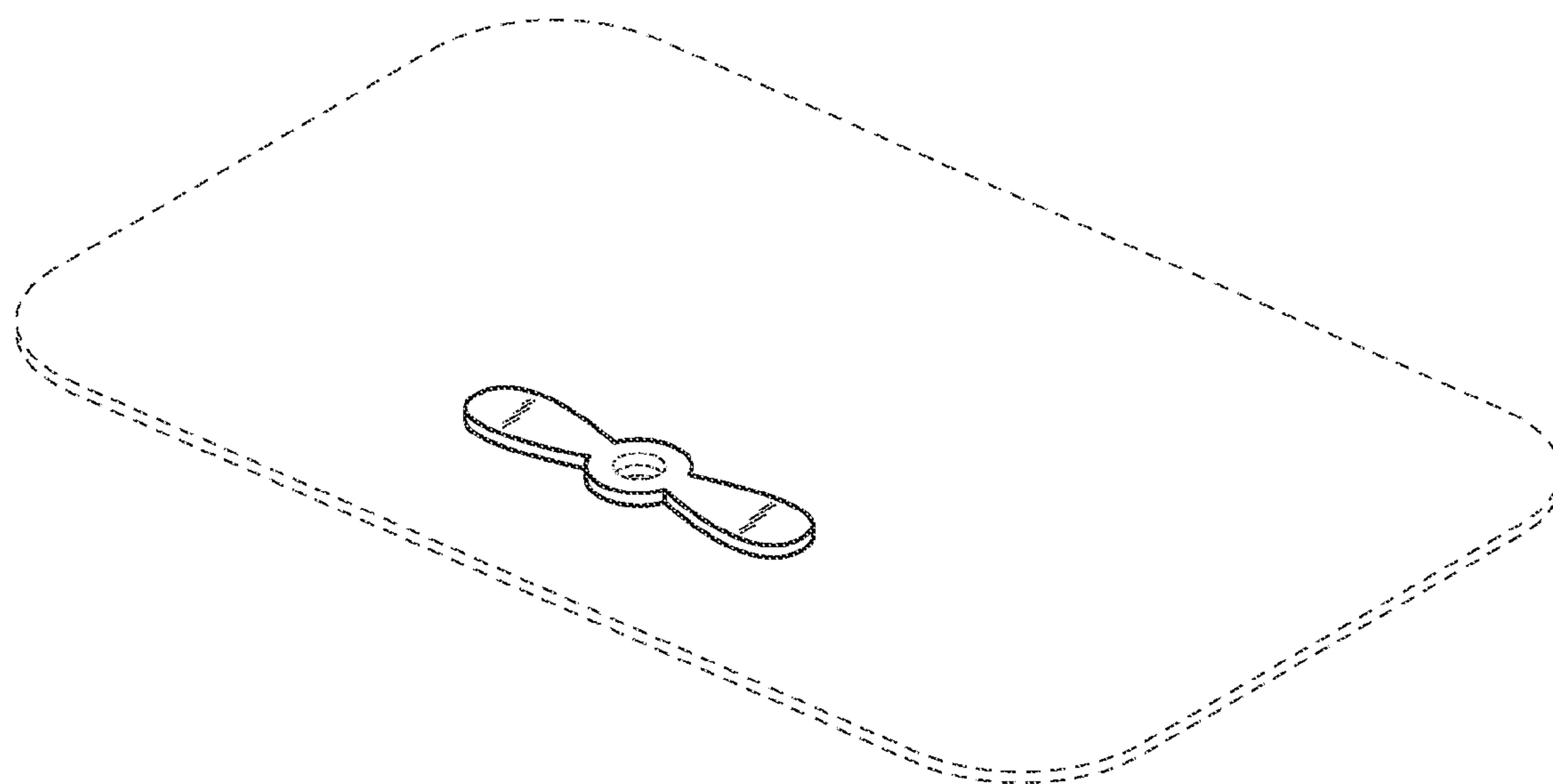


Fig. 1

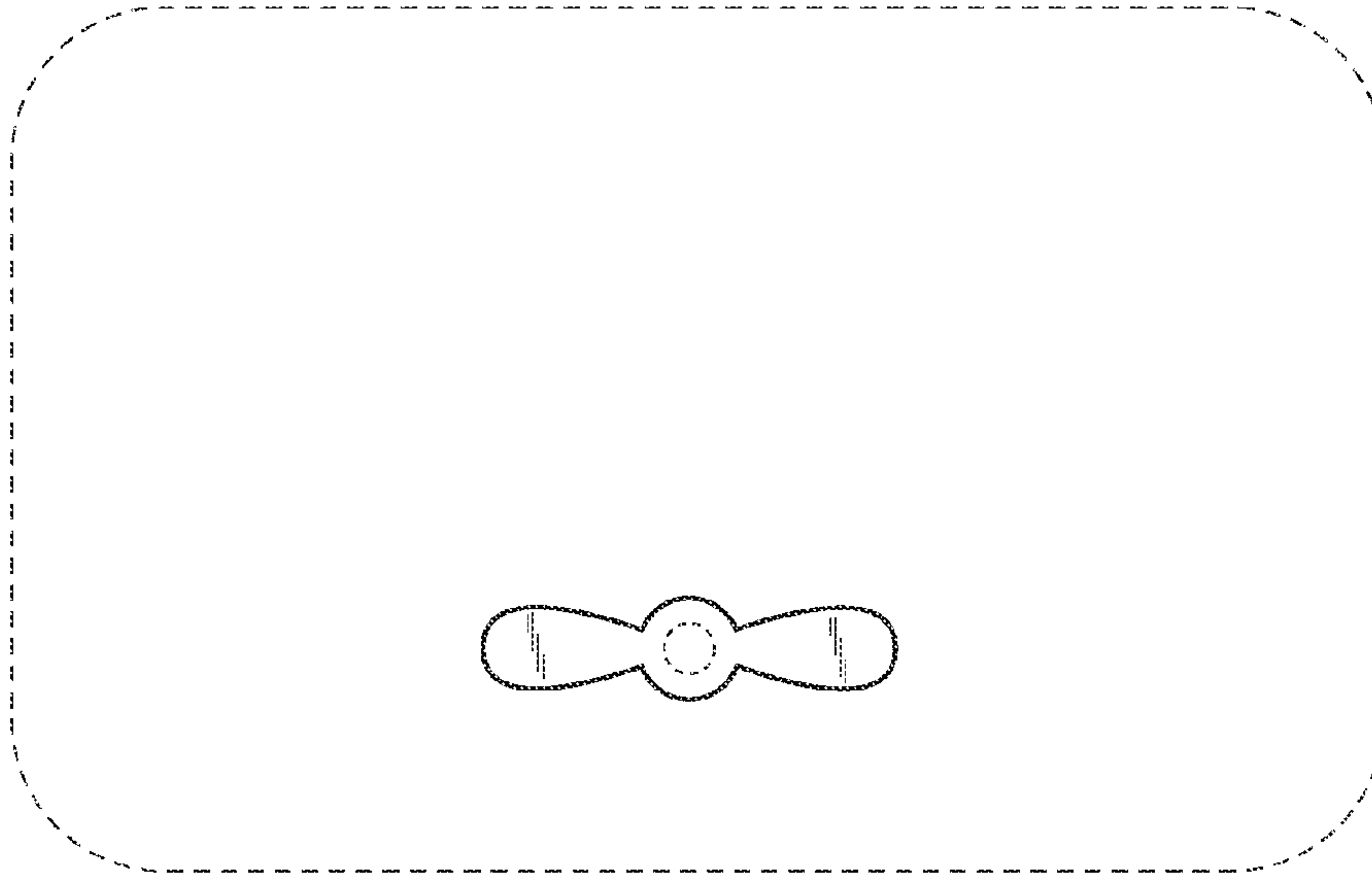


Fig. 2

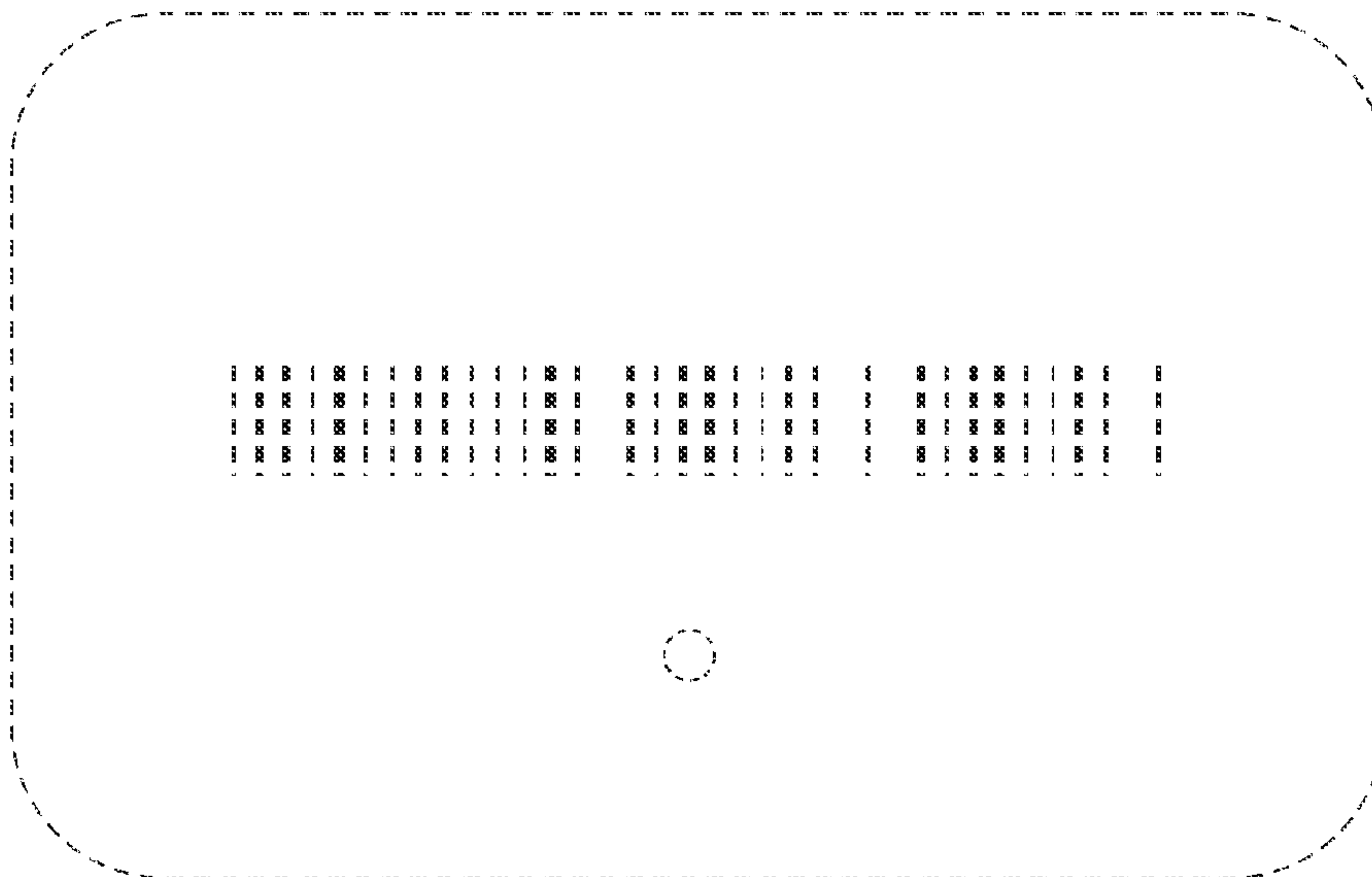


Fig. 3



Fig. 4

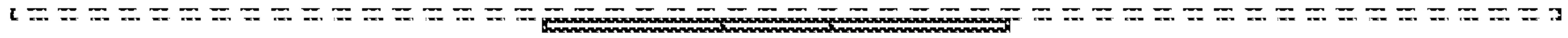


Fig. 5



Fig. 6