



US00D613333S

(12) **United States Design Patent**
Tamaki

(10) **Patent No.:** **US D613,333 S**

(45) **Date of Patent:** **** Apr. 6, 2010**

(54) **HOUSING OF DAMPER MECHANISM FOR INK JET PRINTER**

(75) Inventor: **Kazutaka Tamaki**, Tomi (JP)

(73) Assignee: **Mimaki Engineering Co., Ltd.**, Nagano (JP)

(**) Term: **14 Years**

(21) Appl. No.: **29/323,931**

(22) Filed: **Sep. 3, 2008**

(30) **Foreign Application Priority Data**

Apr. 3, 2008 (JP) 2008-008577

(51) **LOC (9) Cl.** **18-02**

(52) **U.S. Cl.** **D18/56**

(58) **Field of Classification Search** D18/14,
D18/18, 40, 43, 50, 56-59, 99; 347/7, 20,
347/29, 30, 32, 33, 50, 62, 85-87, 92-94;
D9/417, 521, 533, 569, 573; D17/481
See application file for complete search history.

(56) **References Cited**

U.S. PATENT DOCUMENTS

5,736,992 A * 4/1998 Pawlowski, Jr. 347/7
5,847,734 A * 12/1998 Pawlowski, Jr. 347/86
6,880,910 B2 * 4/2005 Tominaga 347/20

6,984,031 B2 * 1/2006 Bailey et al. 347/86
7,118,206 B1 * 10/2006 Stockwell et al. 347/92
D544,912 S * 6/2007 Maruyama D18/56
2006/0028517 A1 * 2/2006 Ishizawa et al. 347/86

* cited by examiner

Primary Examiner—Philip S Hyder

Assistant Examiner—Susan E Krakower

(74) *Attorney, Agent, or Firm*—Ditthavong Mori & Steiner, P.C.

(57) **CLAIM**

The ornamental design for a housing of damper mechanism for ink jet printer, as shown and described.

DESCRIPTION

FIG. 1 is a top and left front perspective view of a housing of damper mechanism for ink jet printer, showing my design;

FIG. 2 is a front elevational view thereof;

FIG. 3 is a rear elevational view thereof;

FIG. 4 is a left side view thereof;

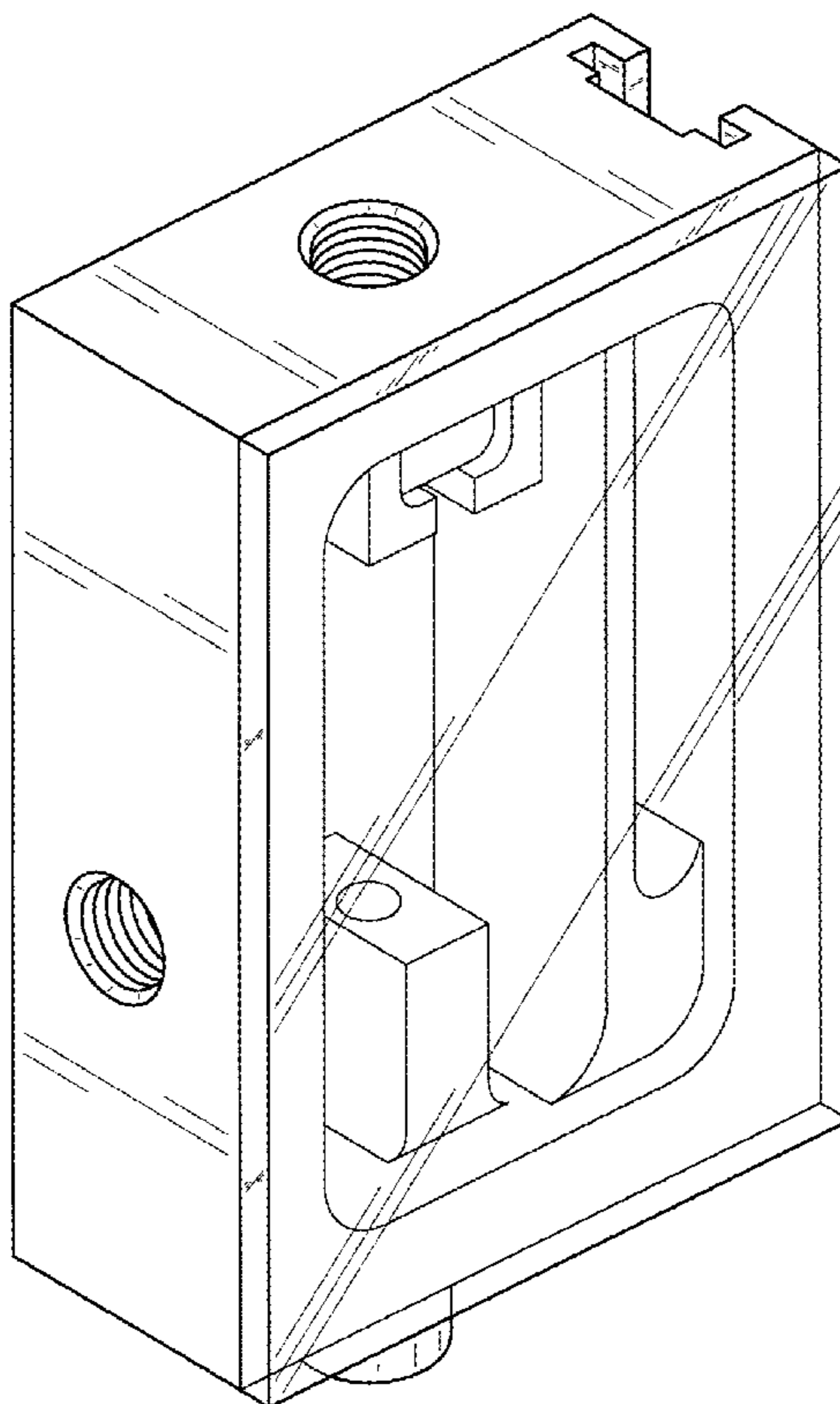
FIG. 5 is a right side view thereof;

FIG. 6 is a top view thereof; and,

FIG. 7 is a bottom view thereof.

Portions of the disclosure shown in broken lines form no part of the claimed design.

1 Claim, 5 Drawing Sheets



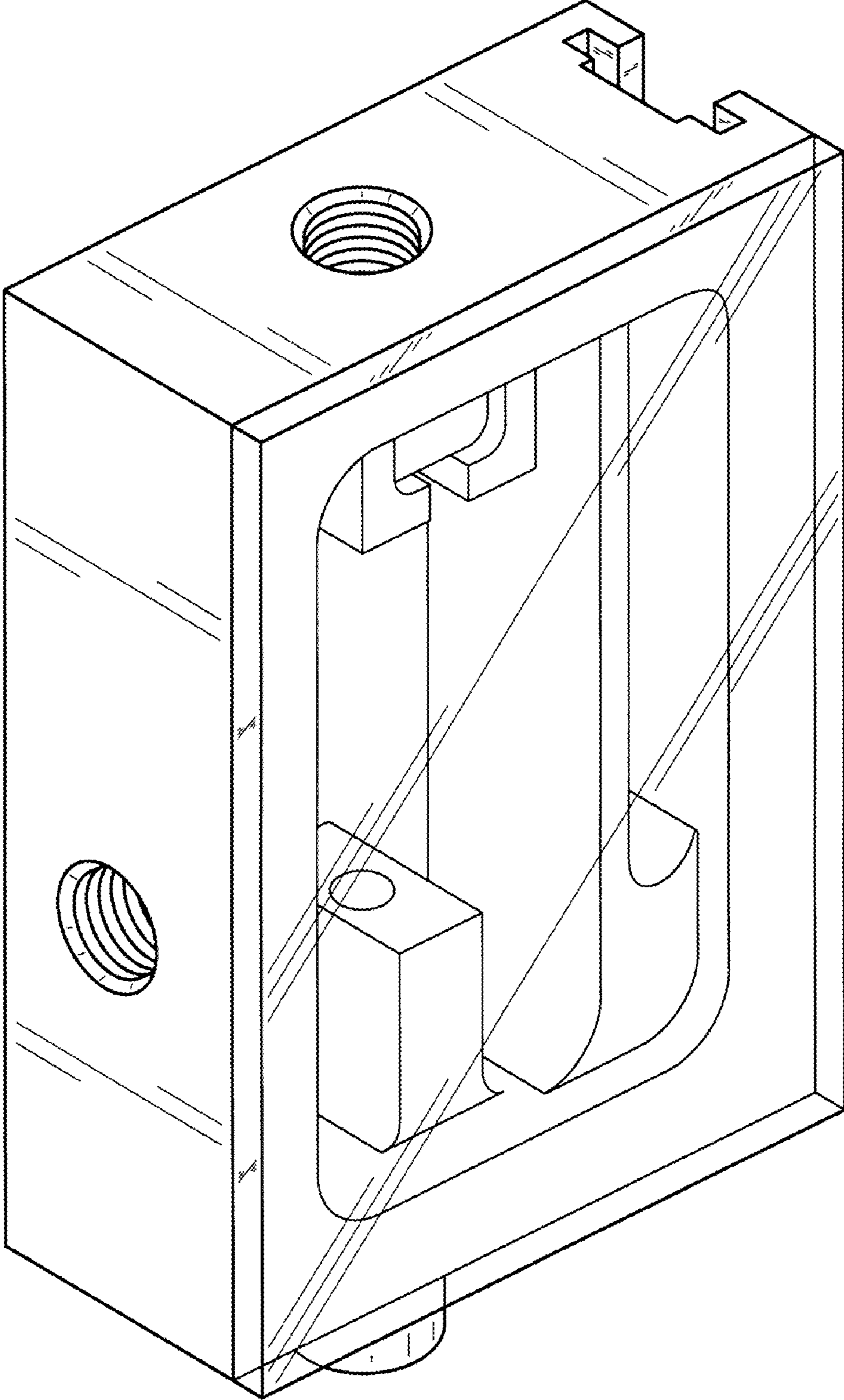


FIG. 1

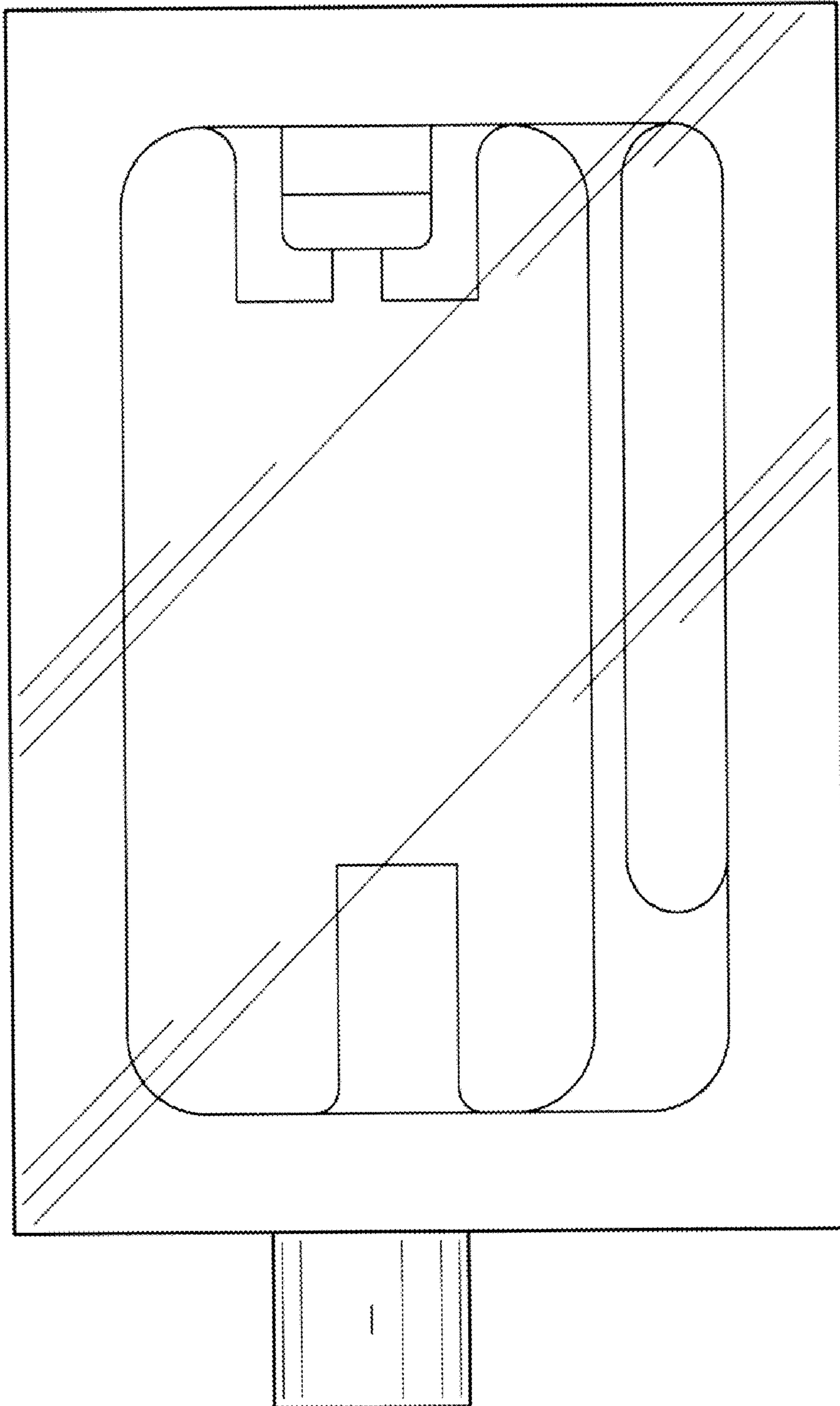


FIG. 2

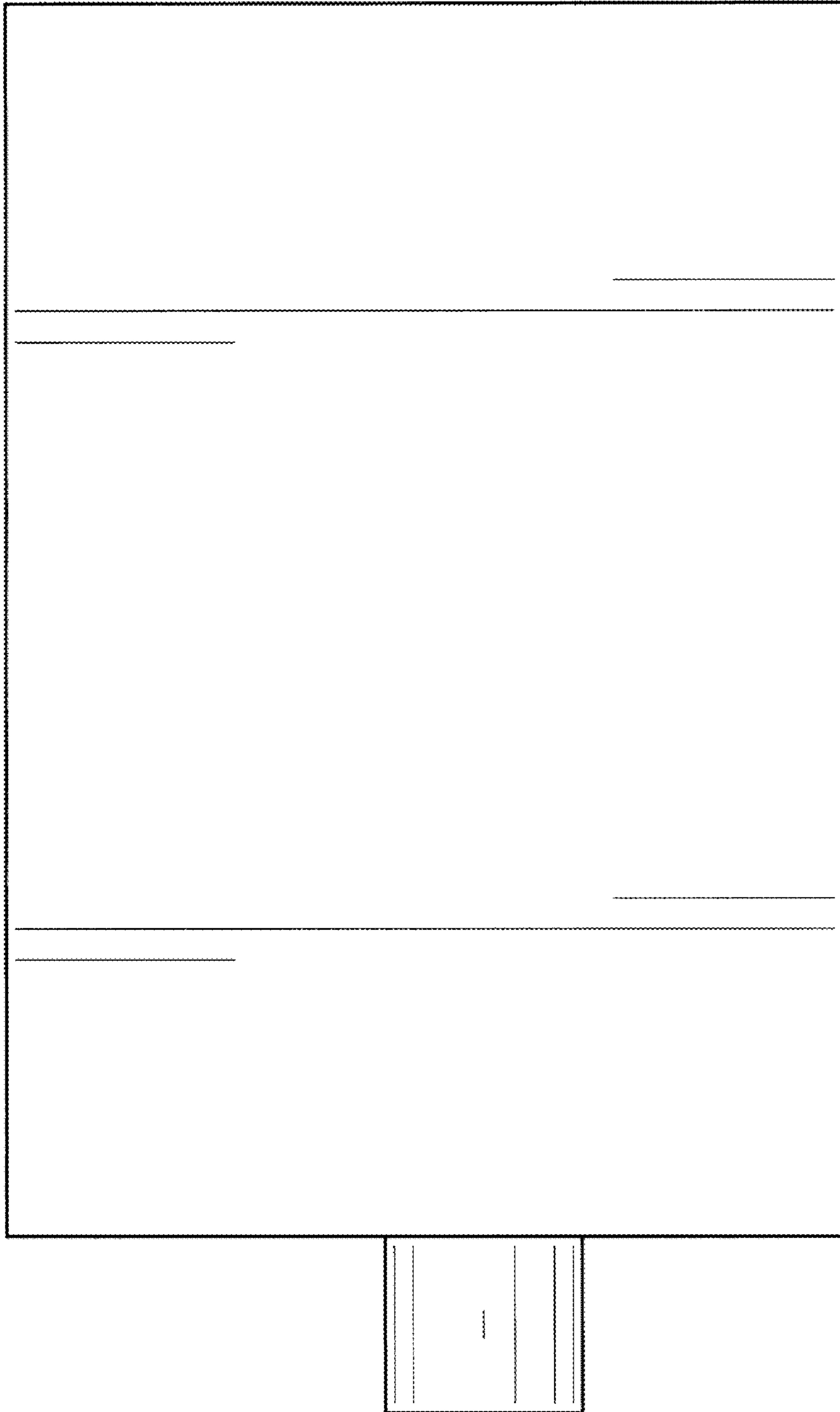


FIG. 3

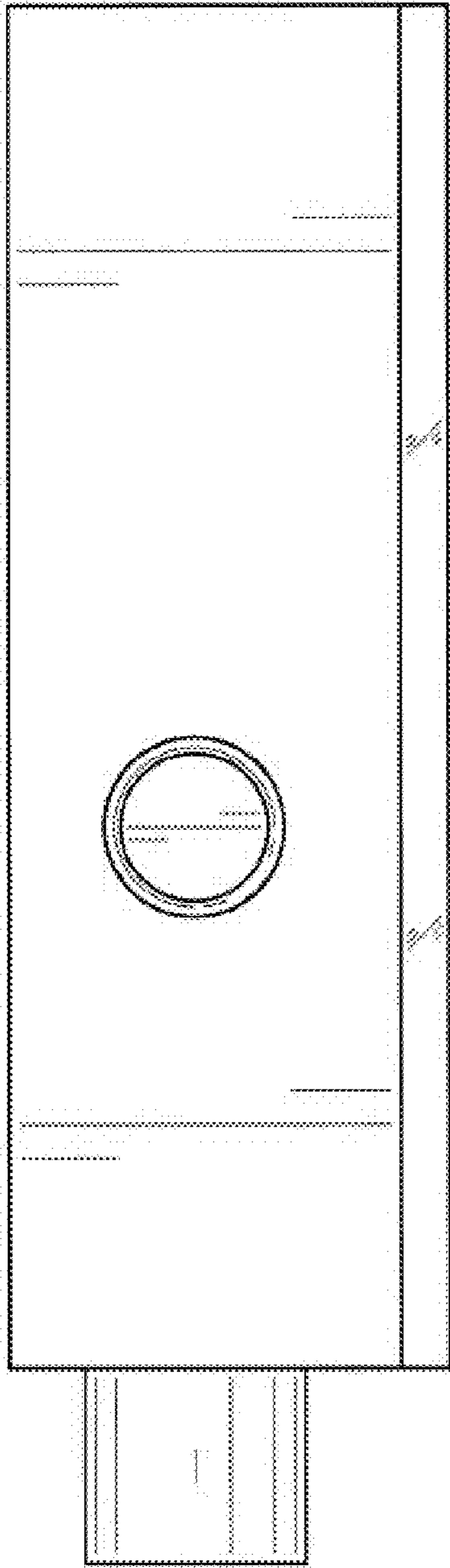


FIG. 4

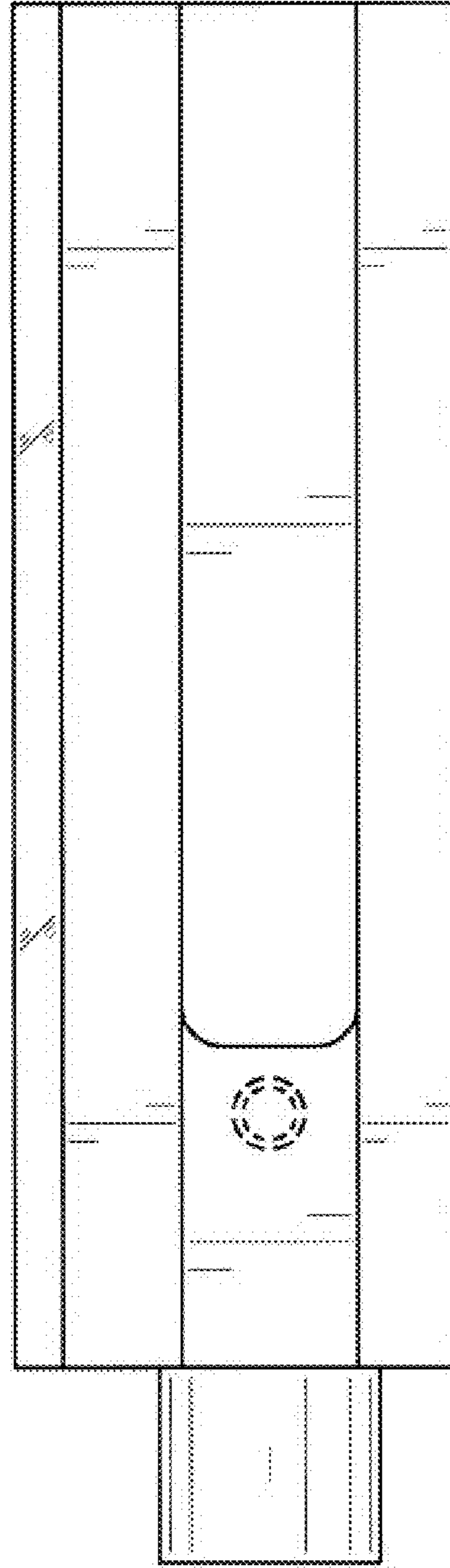


FIG. 5

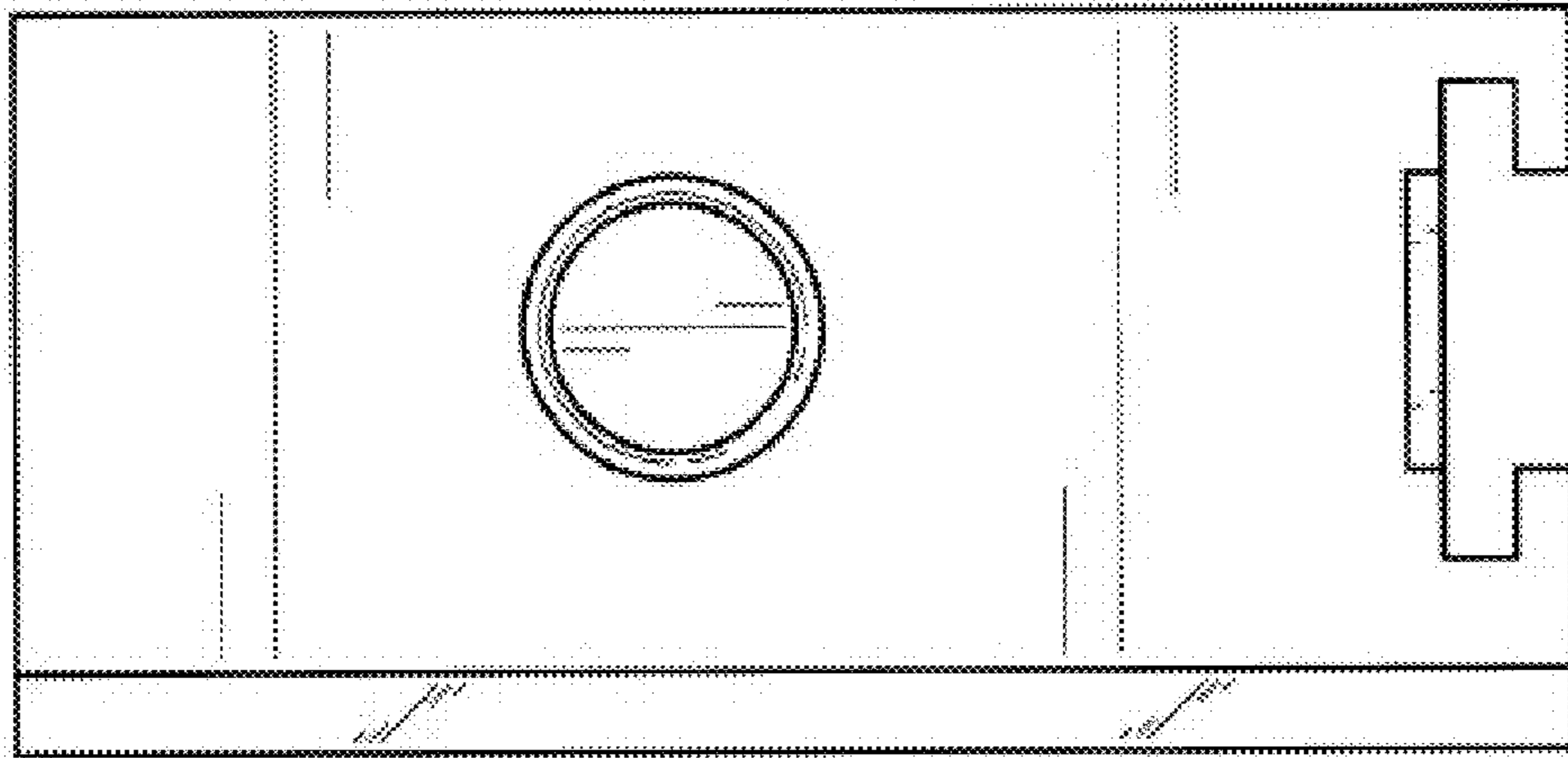


FIG. 6

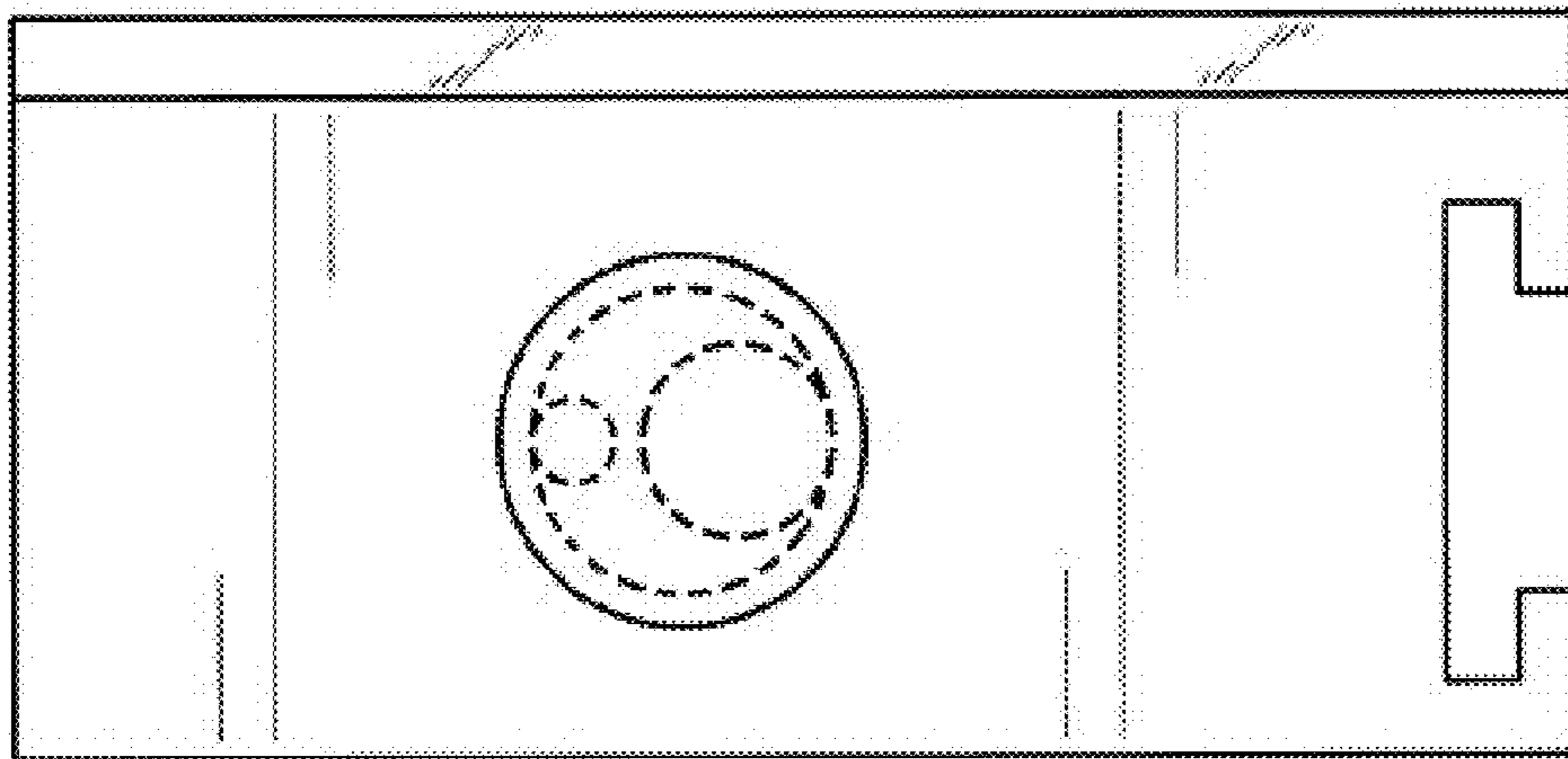


FIG. 7