



US00D613332S

(12) **United States Design Patent**
Maruyama

(10) **Patent No.:** **US D613,332 S**
(45) **Date of Patent:** **** Apr. 6, 2010**

(54) **HOUSING OF A DAMPER MECHANISM FOR INKJET PRINTER**

D547,370 S * 7/2007 Hattori et al. D18/56
D580,486 S * 11/2008 Kanno et al. D18/50
2004/0027427 A1 * 2/2004 Tominaga 347/85
2006/0028517 A1 * 2/2006 Ishizawa et al. 347/86

(75) Inventor: **Kouji Maruyama**, Tomi (JP)

(73) Assignee: **Mimaki Engineering Co., Ltd.**, Nagano (JP)

* cited by examiner

(**) Term: **14 Years**

Primary Examiner—Philip S Hyder

Assistant Examiner—Susan E Krakower

(21) Appl. No.: **29/323,928**

(74) *Attorney, Agent, or Firm*—Ditthavong Mori & Steiner, P.C.

(22) Filed: **Sep. 3, 2008**

(57) **CLAIM**

(30) **Foreign Application Priority Data**

The ornamental design for a housing of damper mechanism for inkjet printer, as shown and described.

Mar. 6, 2008 (JP) 2008-005546

DESCRIPTION

(51) **LOC (9) Cl.** **18-02**

(52) **U.S. Cl.** **D18/56**

(58) **Field of Classification Search** D18/14,
D18/18, 40, 43, 50, 56–59, 99; 347/7, 20,
347/29, 30, 32, 33, 50, 62, 85–87, 92–94;
D9/417, 521, 533, 569, 573; D17/481

FIG. 1 is a top and right front perspective view of a housing of damper mechanism for inkjet printer, showing my design;

FIG. 2 is a front elevational view thereof;

FIG. 3 is a rear elevational view thereof;

FIG. 4 is a top view thereof;

FIG. 5 is a bottom view thereof;

FIG. 6 is a right side elevational view thereof;

FIG. 7 is a left side elevational view thereof; and,

FIG. 8 is a cross-sectional view thereof taken along line 8—8 of FIG. 2.

See application file for complete search history.

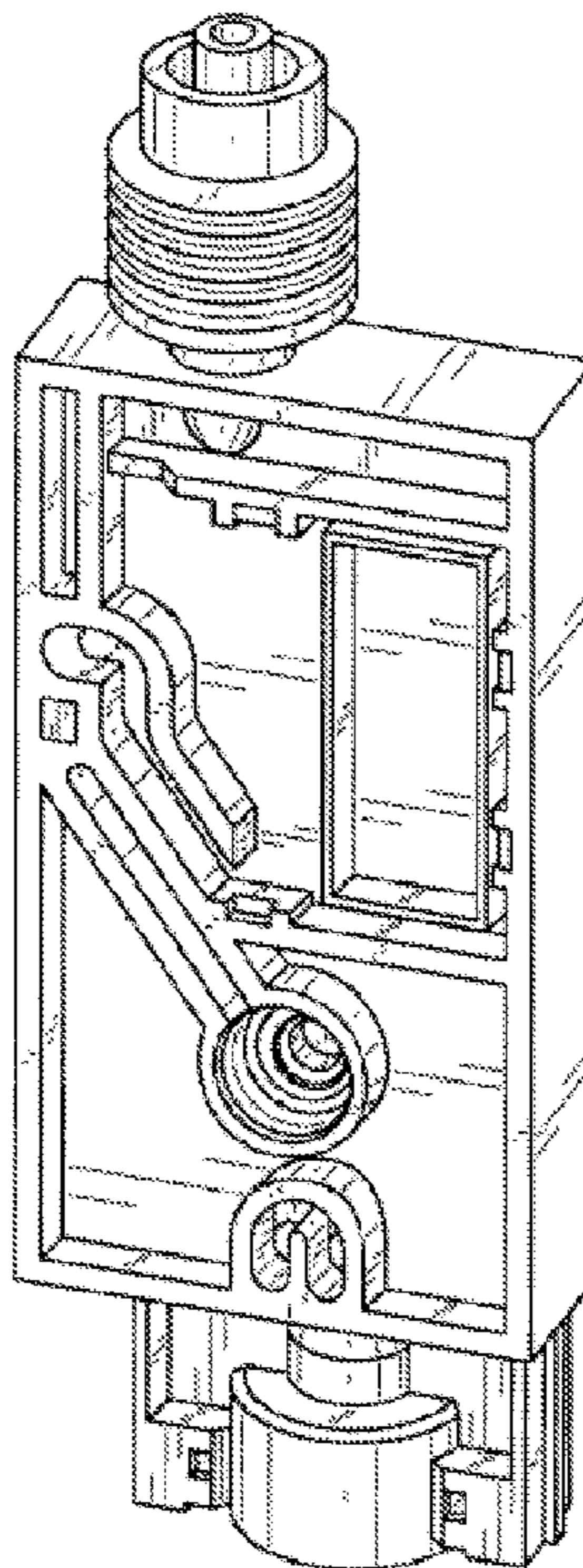
Portions of the disclosure shown in broken lines form no part of the claimed design.

(56) **References Cited**

U.S. PATENT DOCUMENTS

5,736,992 A * 4/1998 Pawlowski, Jr. 347/7
5,847,734 A * 12/1998 Pawlowski, Jr. 347/86
6,880,910 B2 * 4/2005 Tominaga 347/20
6,984,031 B2 * 1/2006 Bailey et al. 347/86
D529,954 S * 10/2006 Matsumoto D18/56
7,118,206 B1 * 10/2006 Stockwell et al. 347/92
D544,912 S * 6/2007 Maruyama D18/56

1 Claim, 4 Drawing Sheets



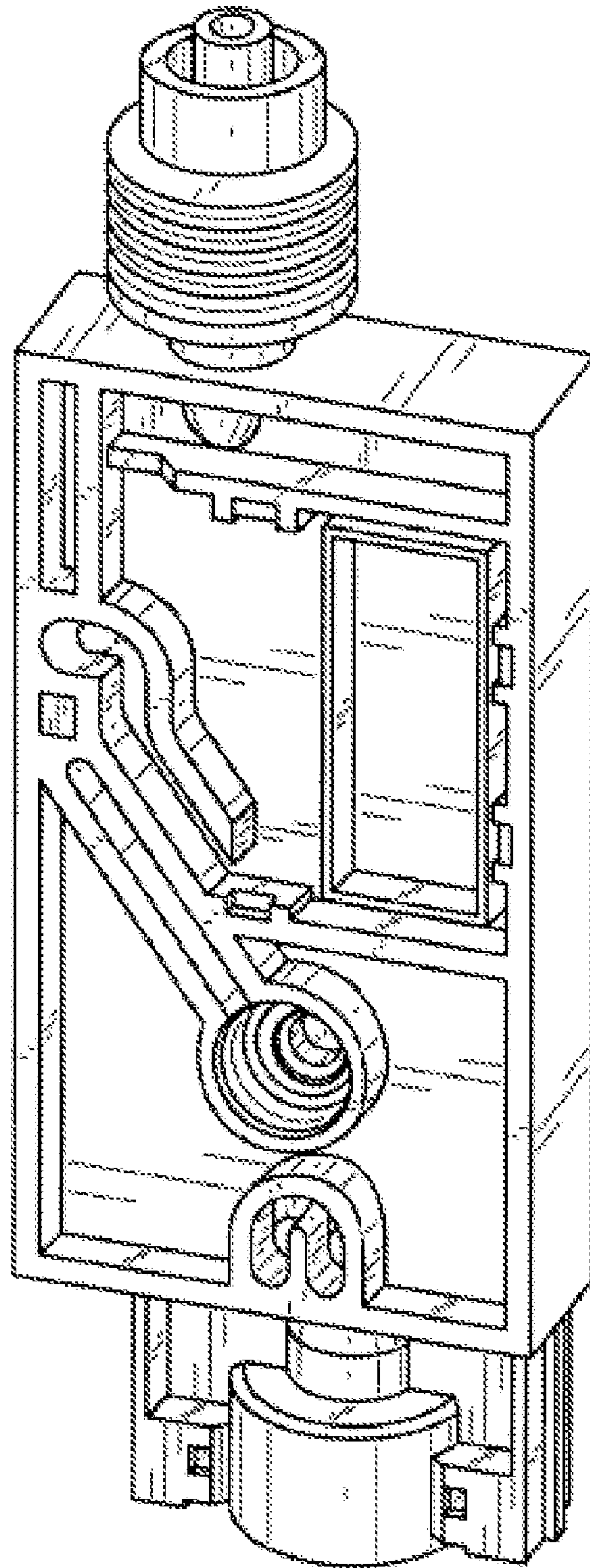


FIG. 1

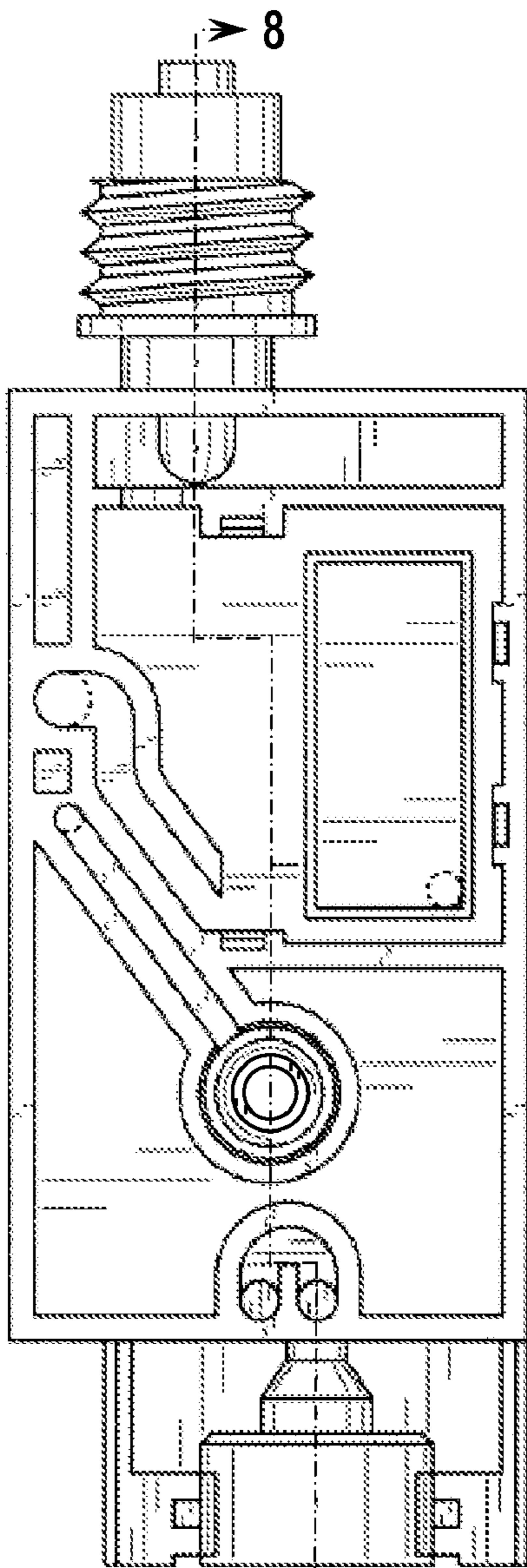


FIG. 2

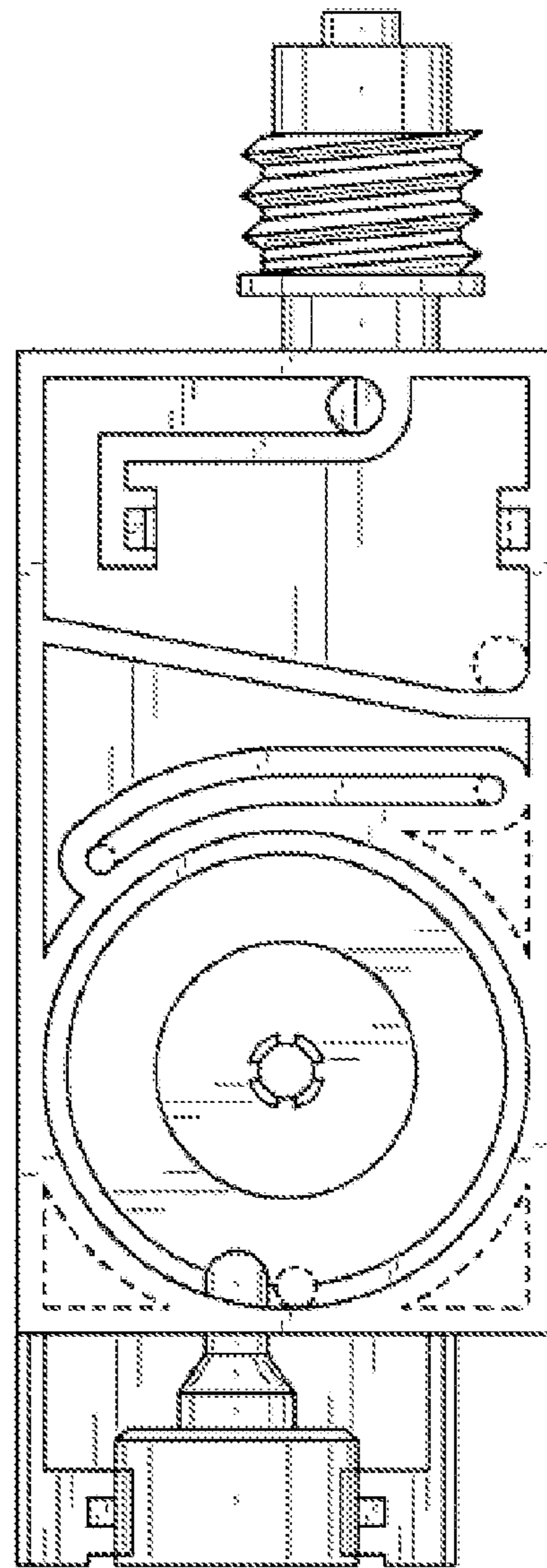


FIG. 3

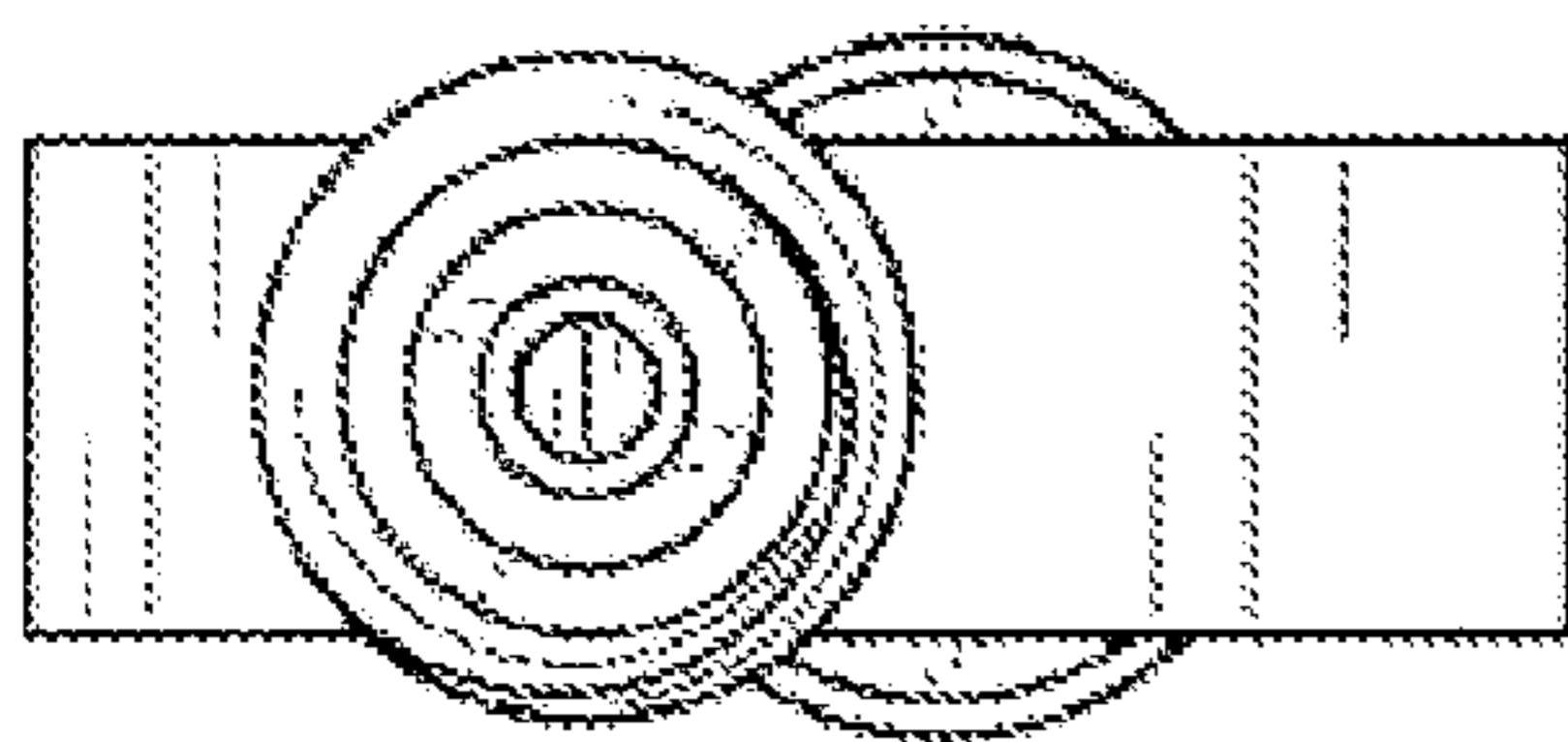


FIG. 4

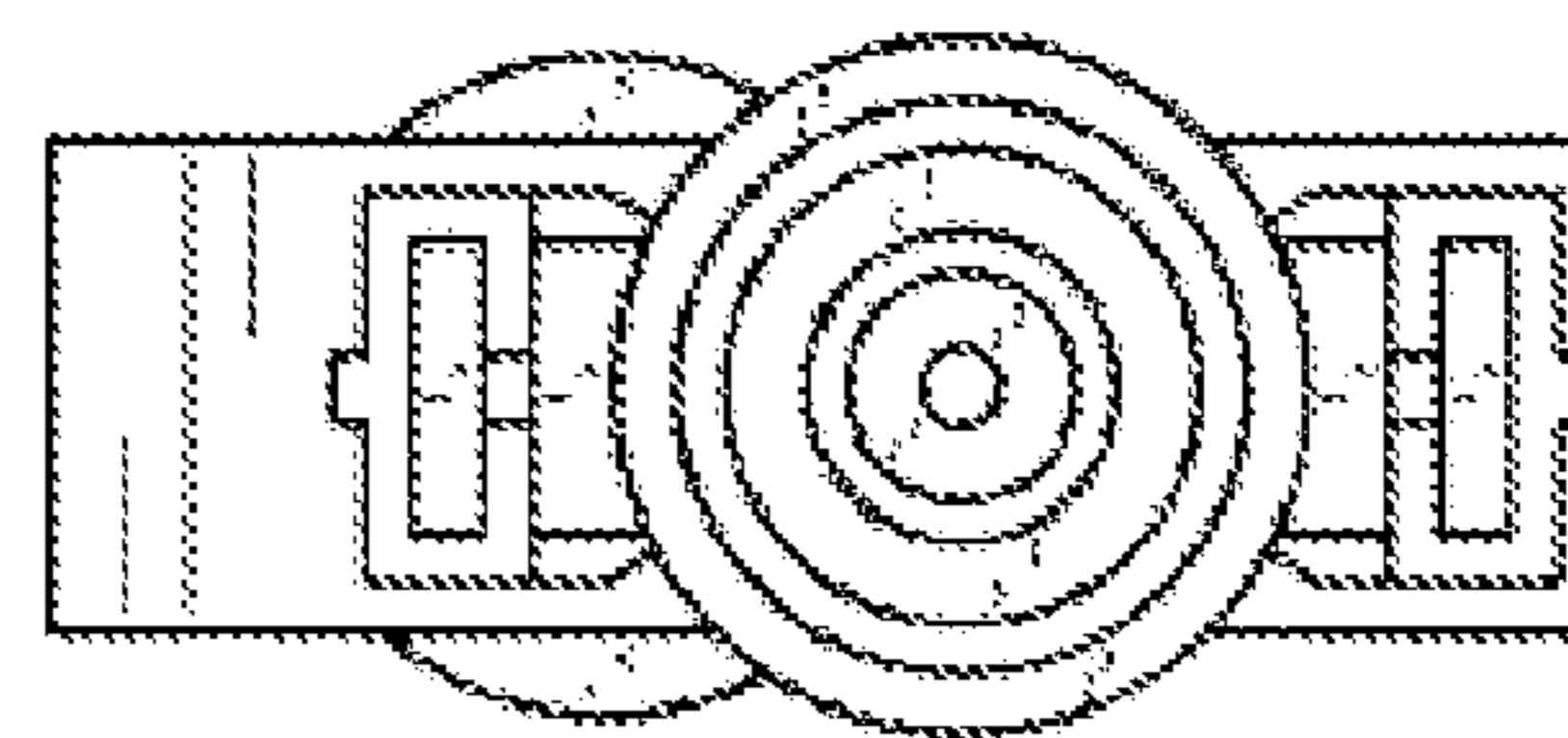


FIG. 5

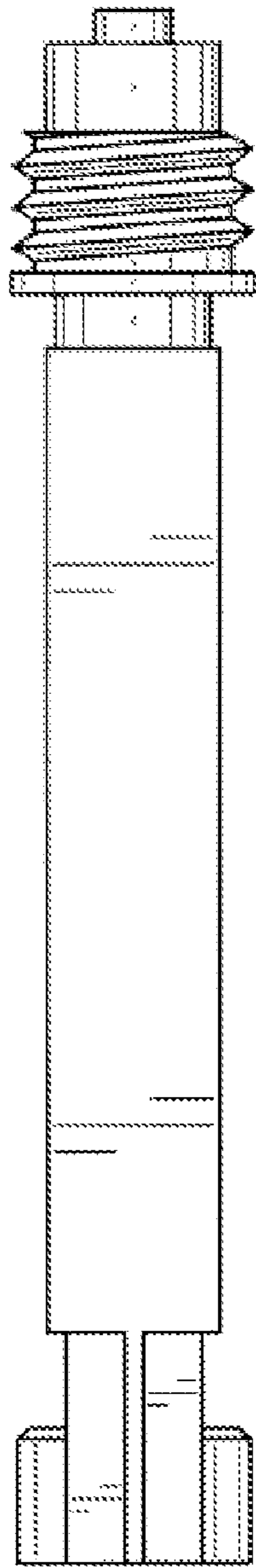


FIG. 6

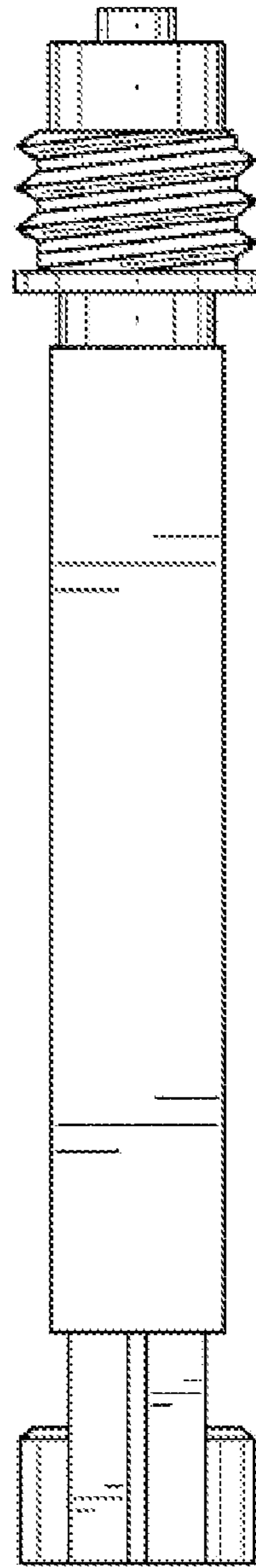


FIG. 7

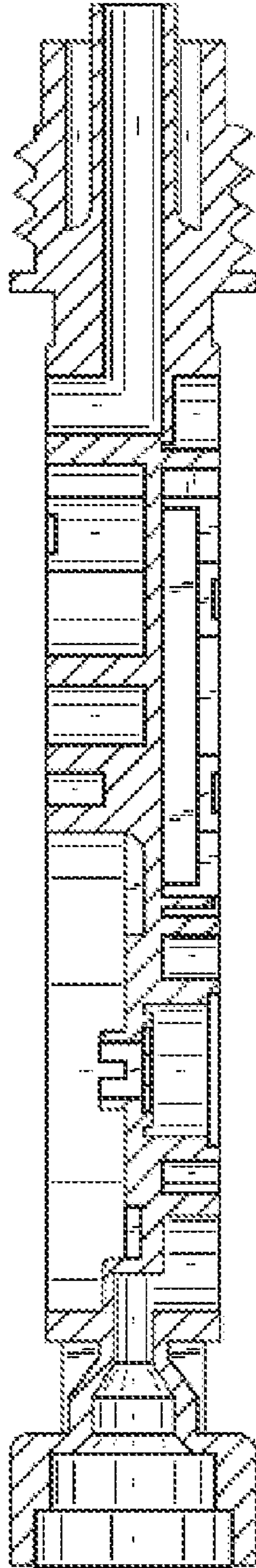


FIG. 8