



US00D613331S

(12) **United States Design Patent**
Park et al.

(10) **Patent No.:** **US D613,331 S**
(45) **Date of Patent:** **** Apr. 6, 2010**

(54) **TONER CARTRIDGE FOR PRINTER**

(75) Inventors: **Gyeong-Sun Park**, Seoul (KR); **Yun-Gi Hong**, Kyunggi-do (KR); **Bong-Uk Lim**, Kyunggi-do (KR)

(73) Assignee: **Samsung Electronics Co., Ltd.**, Suwon, Kyunggi-Do (KR)

(**) Term: **14 Years**

(21) Appl. No.: **29/313,634**

(22) Filed: **Jan. 27, 2009**

(51) **LOC (9) Cl.** **18-02**

(52) **U.S. Cl.** **D18/56**

(58) **Field of Classification Search** D18/40,
D18/43, 56; 347/47, 86-87

See application file for complete search history.

(56) **References Cited**

U.S. PATENT DOCUMENTS

D378,830 S	4/1997	Kim	
D423,043 S *	4/2000	Ishigami et al.	D18/56
D447,513 S *	9/2001	Miyazawa et al.	D18/56
D464,672 S *	10/2002	Shinano et al.	D18/56
D468,347 S *	1/2003	Yamada et al.	D18/56
D489,757 S *	5/2004	Matsumoto	D18/56
D492,962 S *	7/2004	Suzuki et al.	D18/56
D525,652 S *	7/2006	Hegge	D18/56
D538,850 S	3/2007	Choi et al.	
D539,335 S	3/2007	Jeon et al.	
D544,528 S	6/2007	Kim	
D546,382 S	7/2007	Noh et al.	
D547,368 S	7/2007	Han	
D551,286 S	9/2007	Han	
D555,193 S	11/2007	Choi	
D559,902 S	1/2008	Park et al.	
D570,403 S	6/2008	Park et al.	
D577,061 S	9/2008	Kim	
D580,485 S	11/2008	Park et al.	
D581,975 S	12/2008	Park et al.	
D582,473 S	12/2008	Park et al.	
D583,862 S	12/2008	Park et al.	
D584,343 S	1/2009	Kwon	

D584,345 S	1/2009	Choi et al.	
D584,765 S	1/2009	Park et al.	
D586,847 S	2/2009	Han	
D587,303 S	2/2009	Park	
D588,191 S	3/2009	Baek et al.	
D591,340 S *	4/2009	Nozawa et al.	D18/56
D597,592 S	8/2009	Kim	
D597,593 S	8/2009	Jeon et al.	
D598,050 S *	8/2009	Nozawa	D18/56
D598,849 S	8/2009	Jun	
D600,276 S	9/2009	Noh et al.	
D600,744 S	9/2009	Kim	

(Continued)

OTHER PUBLICATIONS

U.S. Appl. No. 29/313,190, Applicant: Seung-Gweon Lee, et al., filed Dec. 12, 2008 entitled Developing Device for a Color Printer.

(Continued)

Primary Examiner—Cathy Anne MacCormac
(74) *Attorney, Agent, or Firm*—Flynn, Thiel, Boutell & Tanis, P.C.

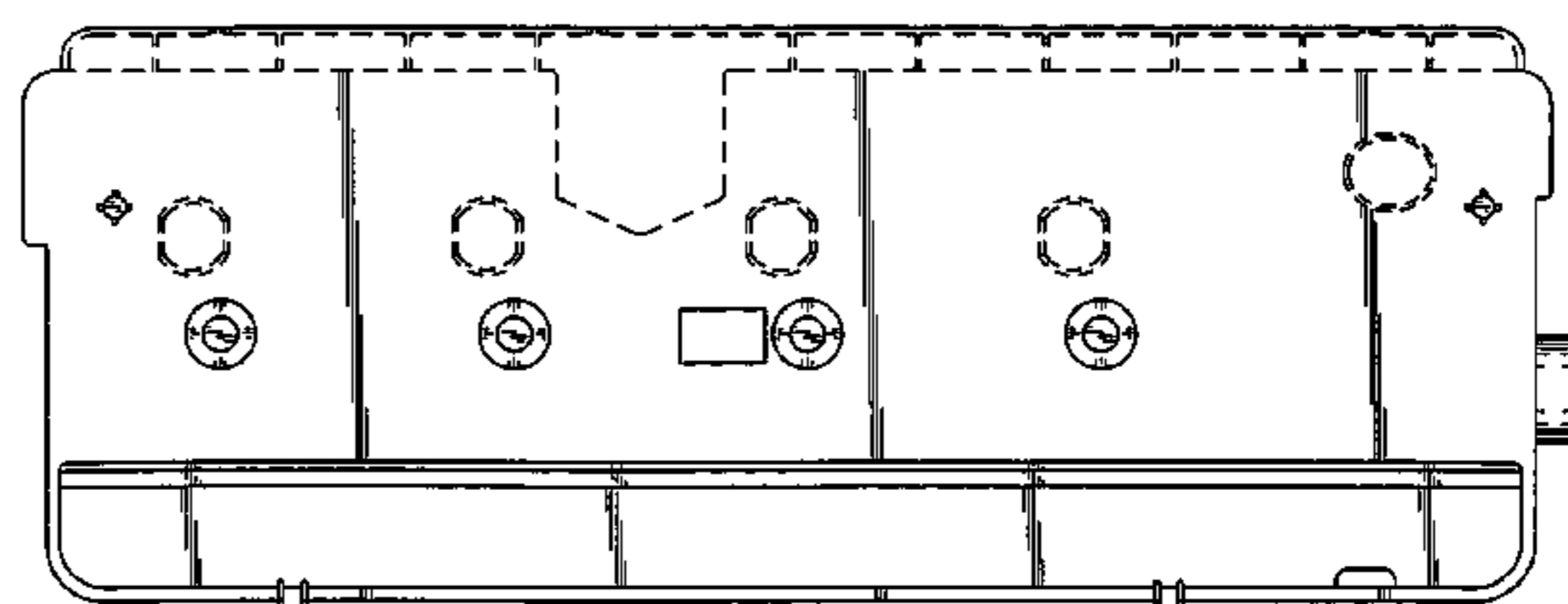
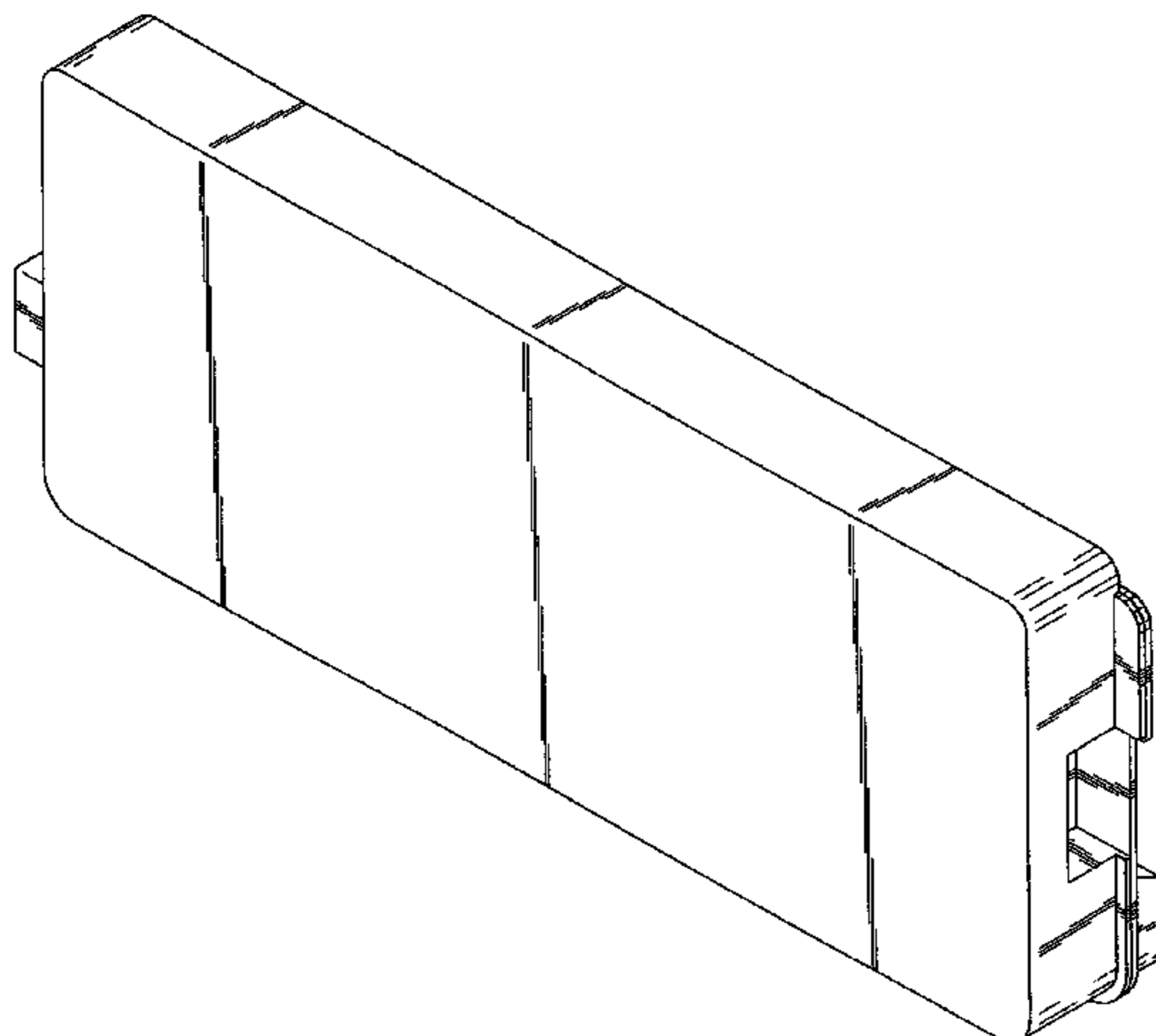
(57) **CLAIM**

The ornamental design for a toner cartridge for printer, shown and described.

DESCRIPTION

FIG. 1 is a top front perspective view of a toner cartridge for printer showing our new design;
FIG. 2 is a front elevational view thereof;
FIG. 3 is a rear elevational view thereof;
FIG. 4 is a left side elevational view thereof;
FIG. 5 is a right side elevational view thereof;
FIG. 6 is a top plan view thereof; and,
FIG. 7 is a bottom plan view thereof.
The broken lines are for illustration only and form no part of the claimed design.

1 Claim, 3 Drawing Sheets



US D613,331 S

Page 2

U.S. PATENT DOCUMENTS

2007/0222842 A1* 9/2007 Masada et al. 347/87

OTHER PUBLICATIONS

U.S. Appl. No. 29/313,635, Applicant: Gyeong-Sun Park, et al., filed
Jan. 27, 2009 entitled Developing Device for Printer.

U.S. Appl. No. 29/313,631, Applicant: Gyeong-Sun Park, et al., filed
Jan. 27, 2009 entitled Toner Cartridge.

U.S. Appl. No. 29/313,632, Applicant: Gyeong-Sun Park, et al., filed
Jan. 27, 2009 entitled Toner Cartridge.

U.S. Appl. No. 29/313,633, Applicant: Gyeong-Sun Park, et al., filed
Jan. 27, 2009 entitled Toner Cartridge.

* cited by examiner

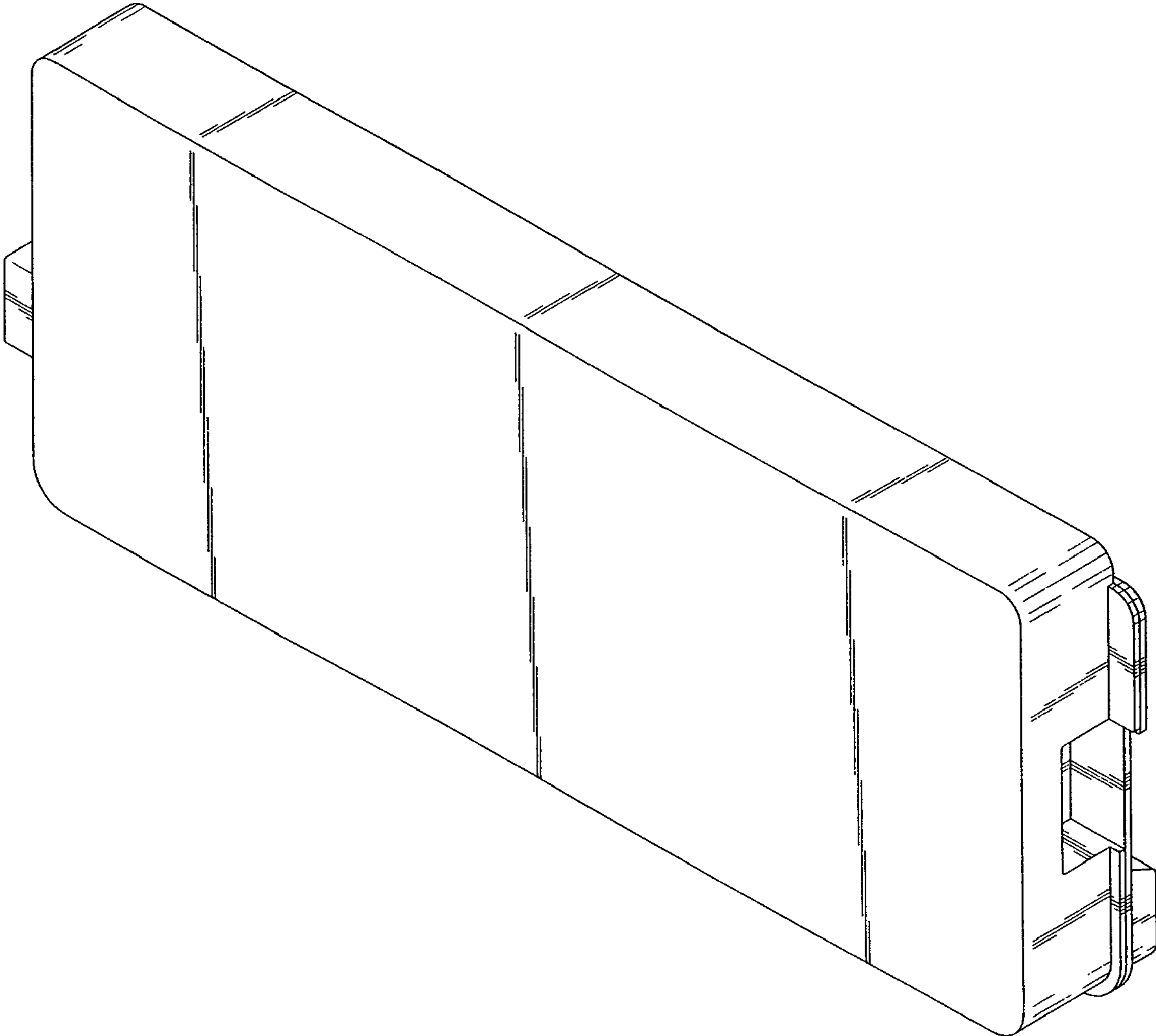


FIG. 1

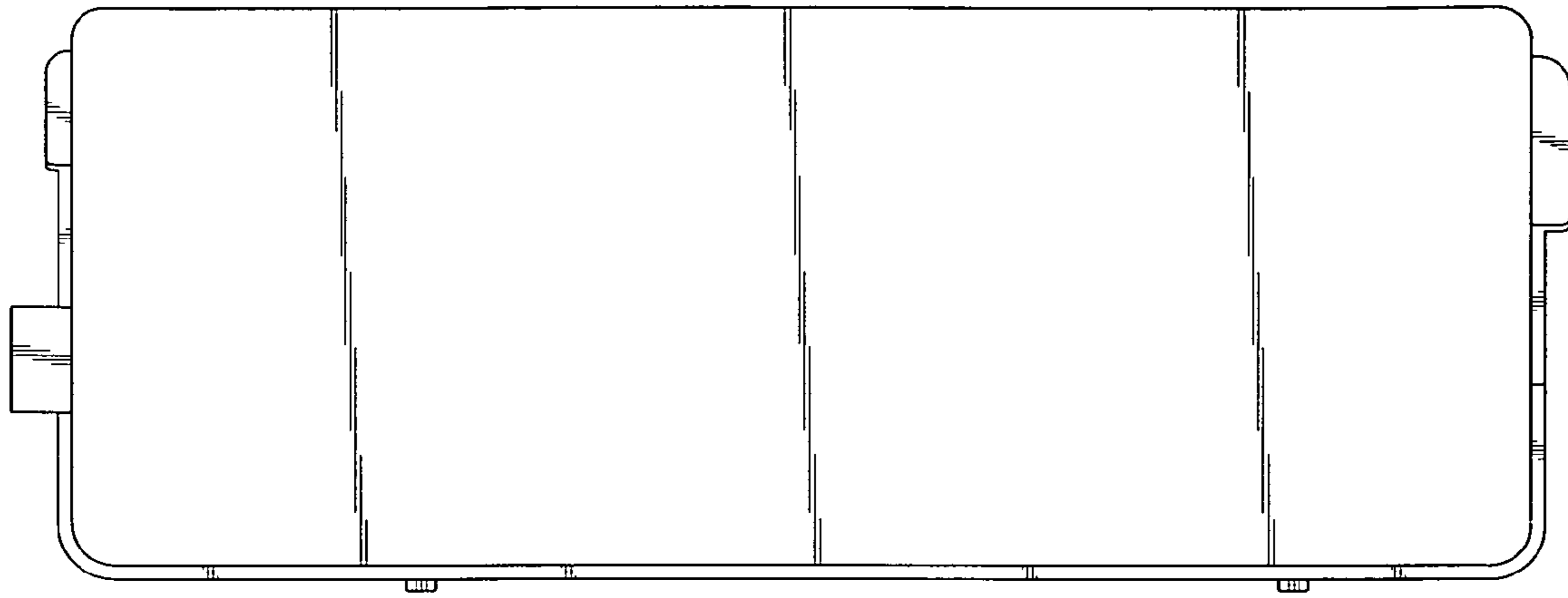


FIG. 2

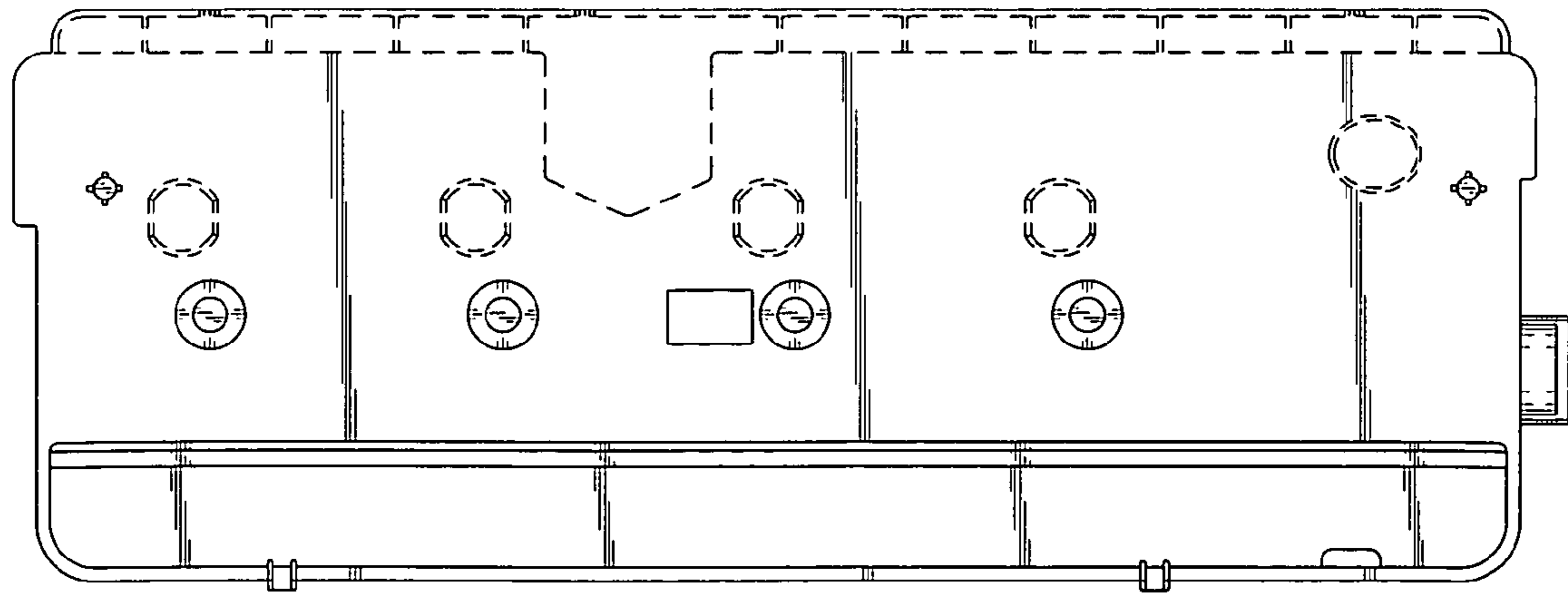


FIG. 3

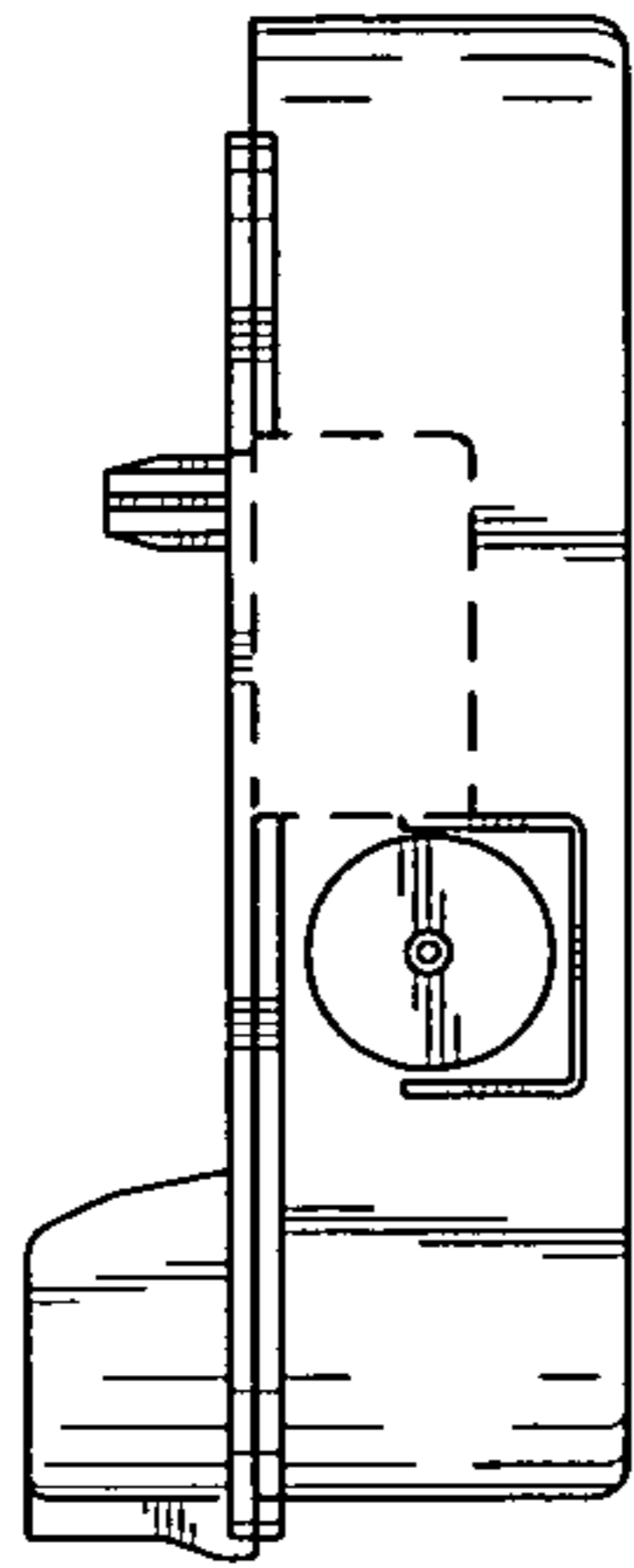


FIG. 4

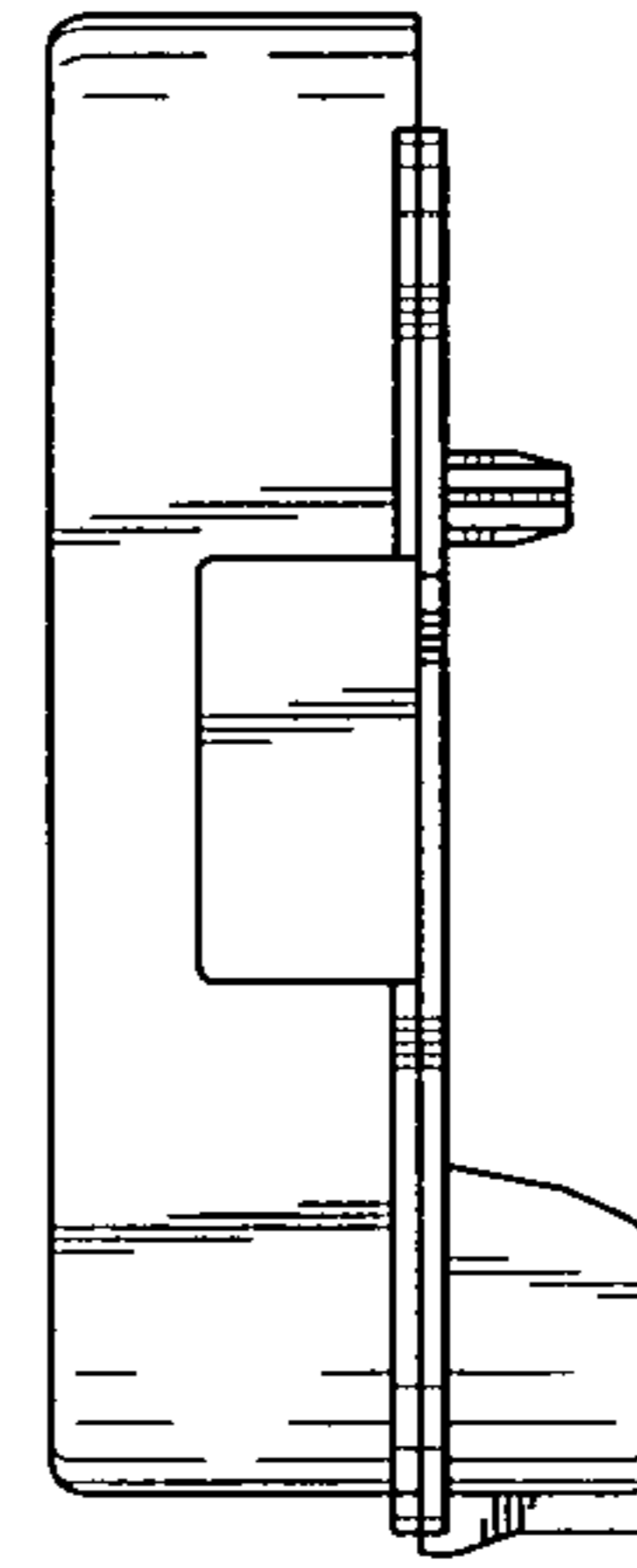


FIG. 5

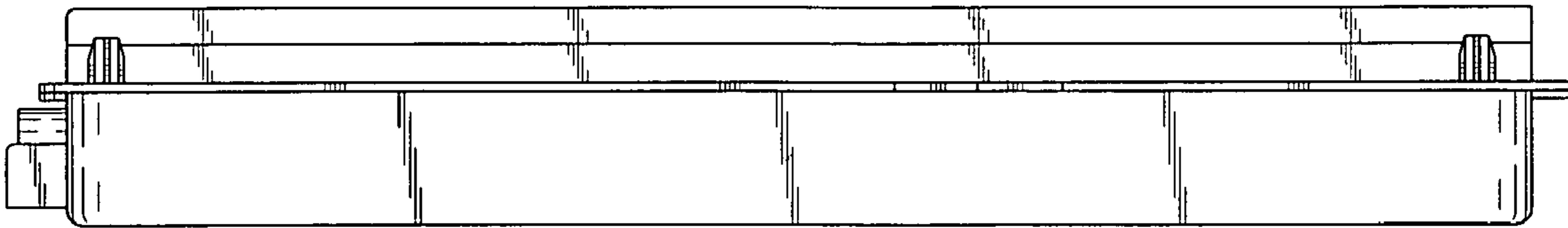


FIG. 6

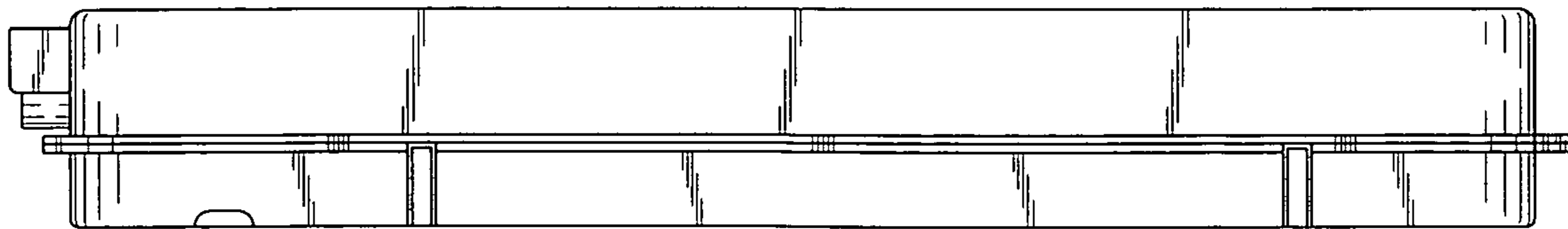


FIG. 7