



US00D613327S

(12) **United States Design Patent**
Zen

(10) **Patent No.:** **US D613,327 S**

(45) **Date of Patent:** **** Apr. 6, 2010**

(54) **SUPPORT HEAD FOR VIDEO AND PHOTOGRAPHIC APPARATUSES**

(75) Inventor: **Andrea Zen**, Bassano Del Grappa (IT)

(73) Assignee: **Gitzo S.A.**, Rungis (FR)

(**) Term: **14 Years**

(21) Appl. No.: **29/312,086**

(22) Filed: **Sep. 29, 2008**

(30) **Foreign Application Priority Data**

Jul. 17, 2008 (EM) 000972153

(51) **LOC (9) Cl.** **16-05**

(52) **U.S. Cl.** **D16/242**

(58) **Field of Classification Search** D16/237,
D16/242, 244–245, 136; 248/176.1, 177.1,
248/180.1, 181.1, 181.2, 183.1, 183.3, 185.1,
248/183.2, 186.1, 186.2, 188.3, 288.31, 288.51,
248/182.2, 288.11, 289.11, 291.1, 481–482;
403/76, 83, 90–91

See application file for complete search history.

(56) **References Cited**

U.S. PATENT DOCUMENTS

3,661,376	A *	5/1972	Hill et al.	269/75
D245,988	S *	10/1977	Miller	D16/245
D246,528	S *	11/1977	Miller	D16/245
D292,982	S *	12/1987	Nakatani	D16/245
4,959,671	A *	9/1990	Ishikawa	396/428
D323,339	S *	1/1992	Ishikawa	D16/245
D366,887	S *	2/1996	Wood	D16/242
D382,288	S *	8/1997	Usui	D16/245
D467,605	S *	12/2002	Dordick	D16/242

D483,788	S *	12/2003	Dordick	D16/242
7,387,284	B2 *	6/2008	Chang	248/206.5
2006/0175482	A1 *	8/2006	Johnson	248/176.1
2007/0152116	A1 *	7/2007	Madsen	248/181.1
2008/0121767	A1 *	5/2008	Wimberley	248/181.1

* cited by examiner

Primary Examiner—Ian Simmons

Assistant Examiner—Wan Laymon

(74) *Attorney, Agent, or Firm*—James C. Eaves, Jr.;

Greenbaum Doll & McDonald PLLC

(57) **CLAIM**

The ornamental design for a support head for video and photographic apparatuses, as shown and described.

DESCRIPTION

FIG. 1 is a bottom plan view of the support head of the present design;

FIG. 2 is a side view of the support head of the present design;

FIG. 3 is a front elevational view of the support head of the present design;

FIG. 4 is a view from the other side of the support head of the present design;

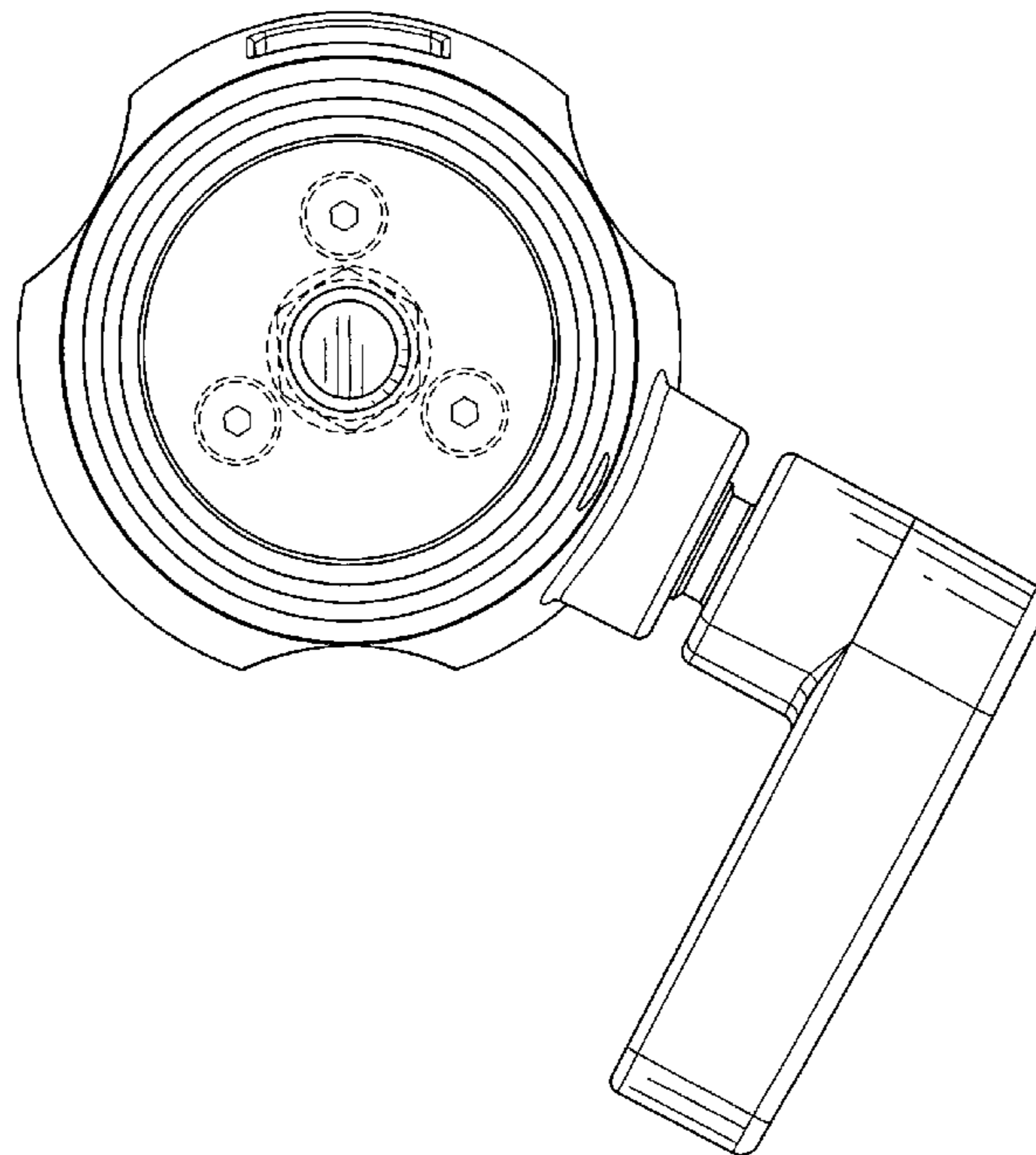
FIG. 5 is a rear view of the support head of the present design;

FIG. 6 is a perspective view of the support head of the present design; and,

FIG. 7 is a top plan view of the support head of the present design.

The portions of the Figures shown in phantom lines are not part of the claimed design and are for illustration only.

1 Claim, 7 Drawing Sheets



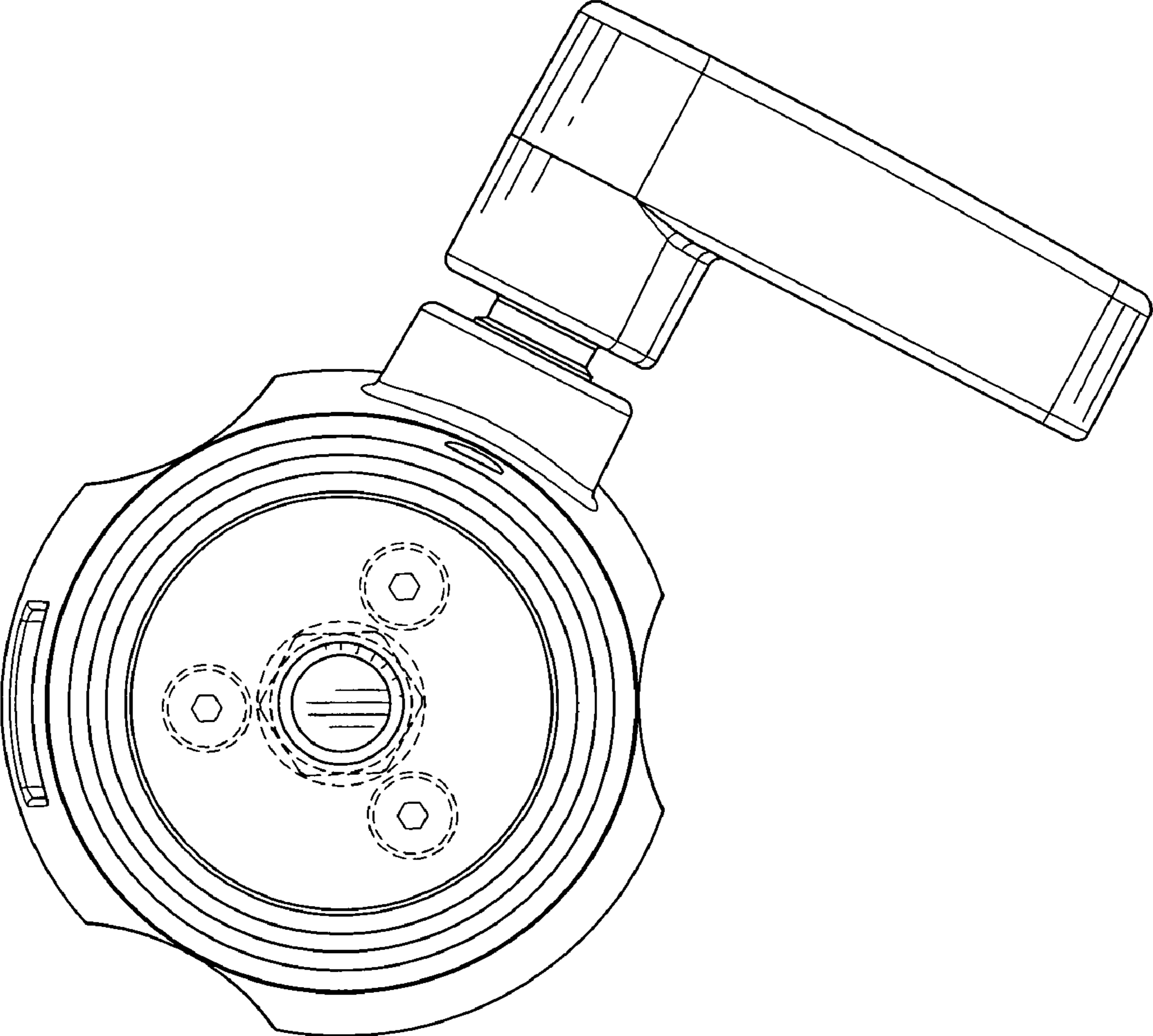


FIG. 1

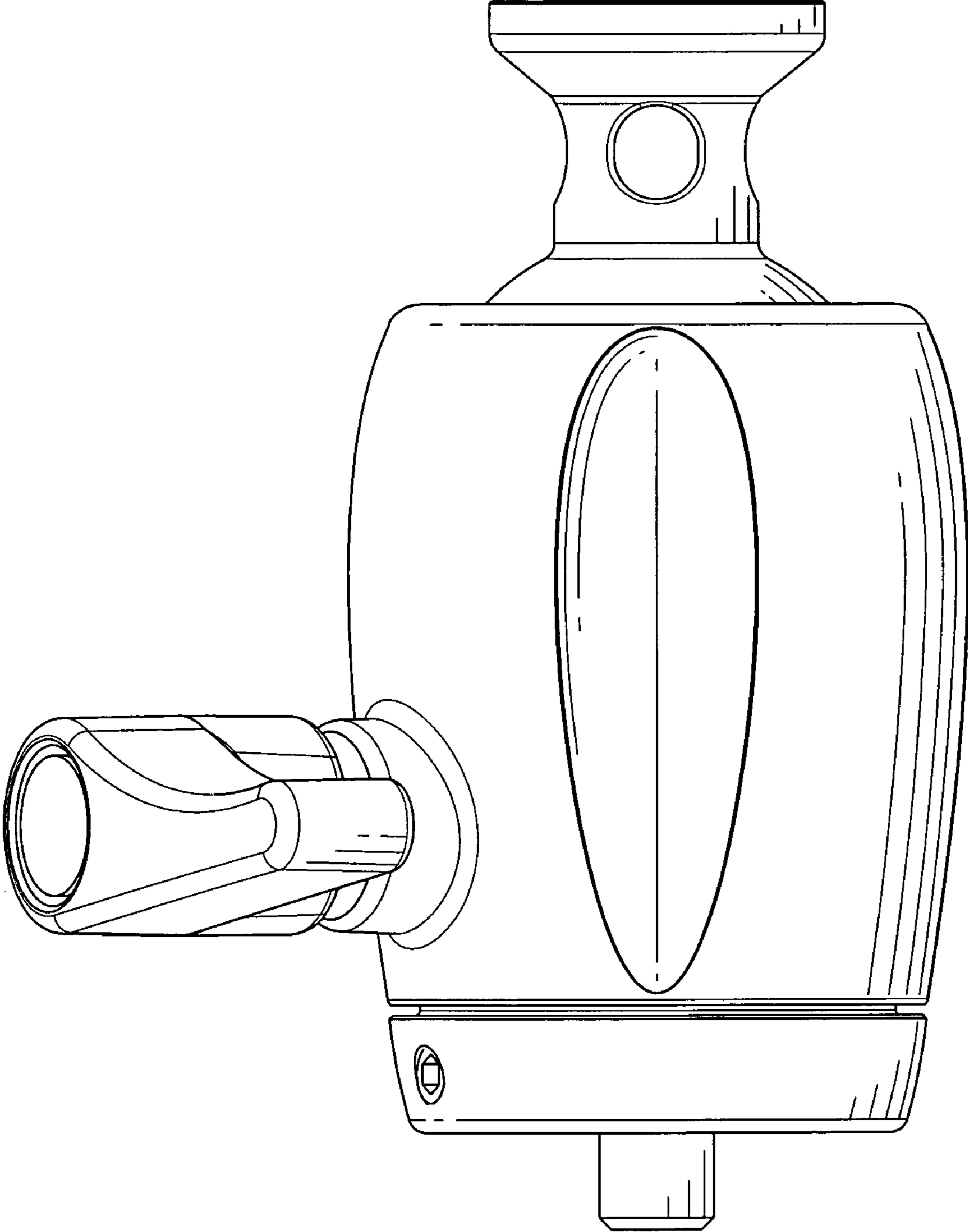


FIG. 2

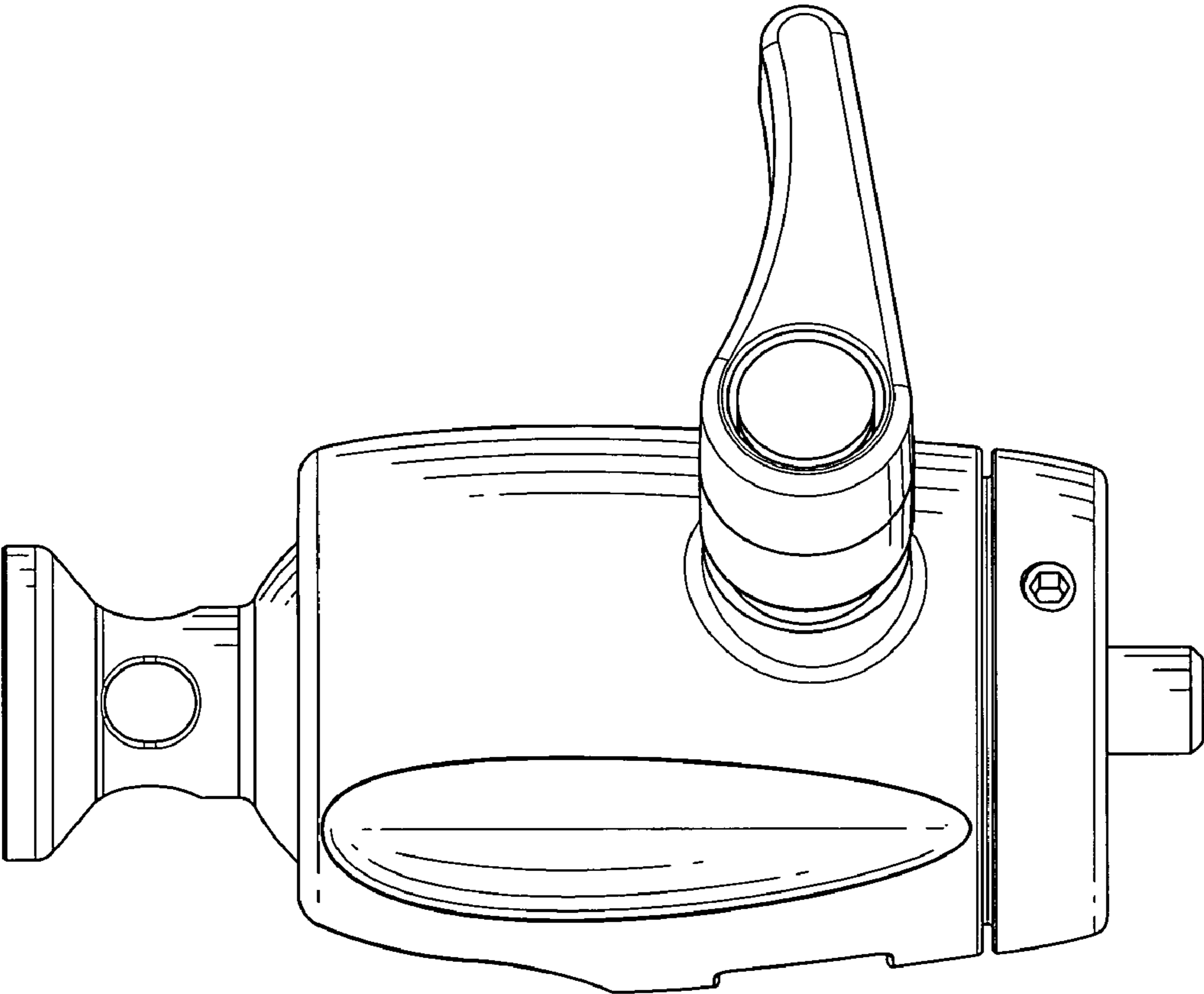


FIG. 3

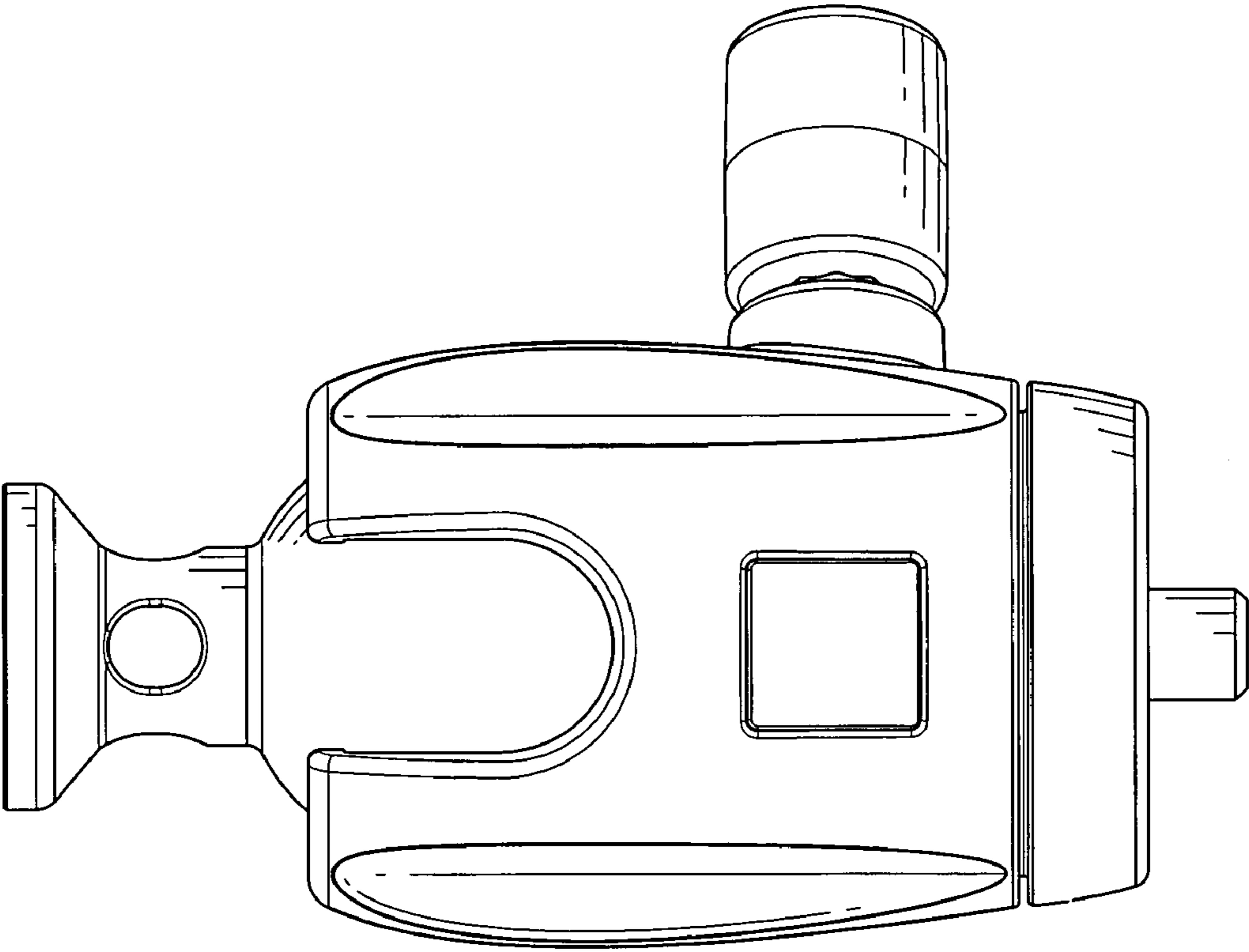


FIG. 4

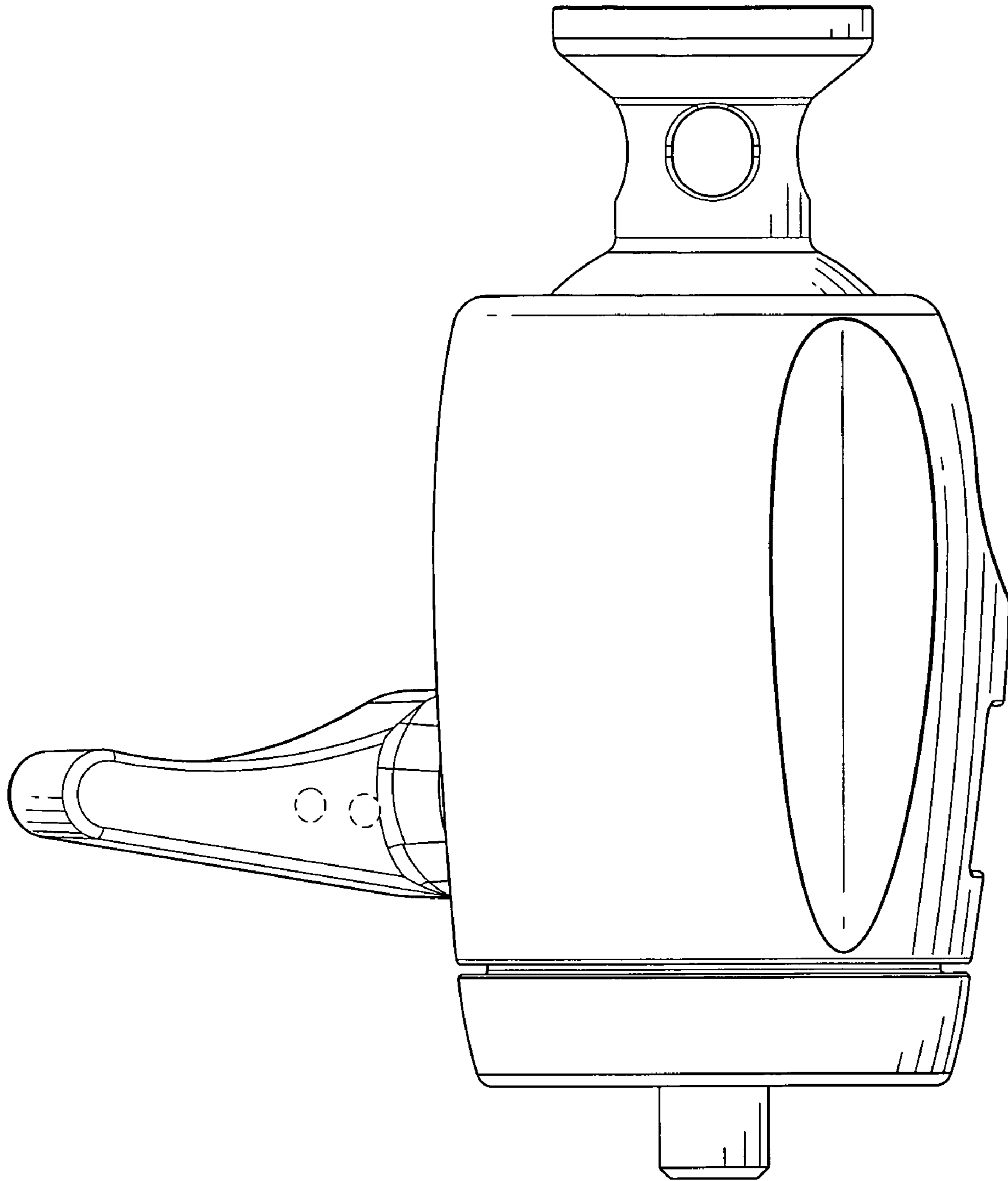


FIG. 5

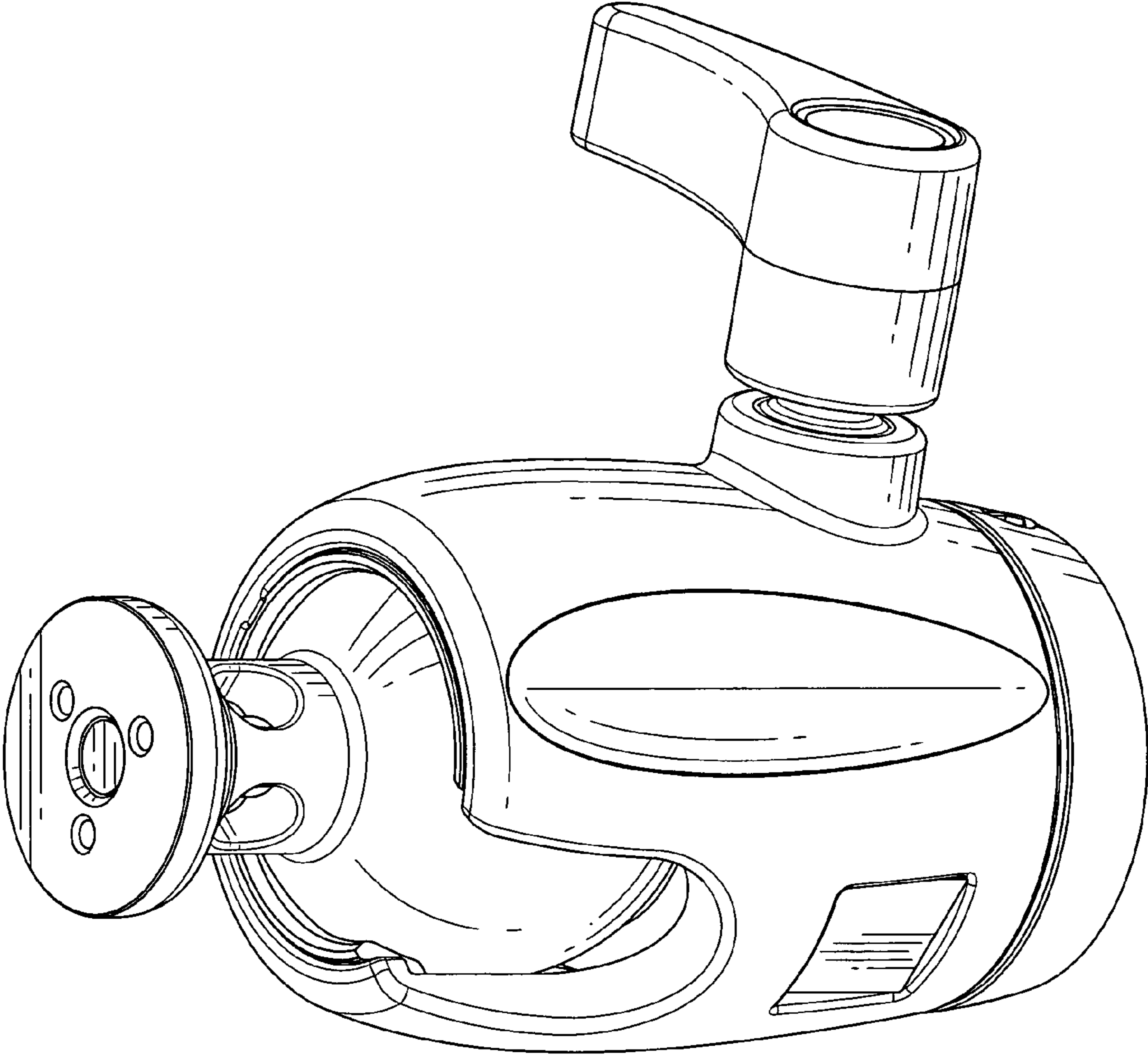


FIG. 6

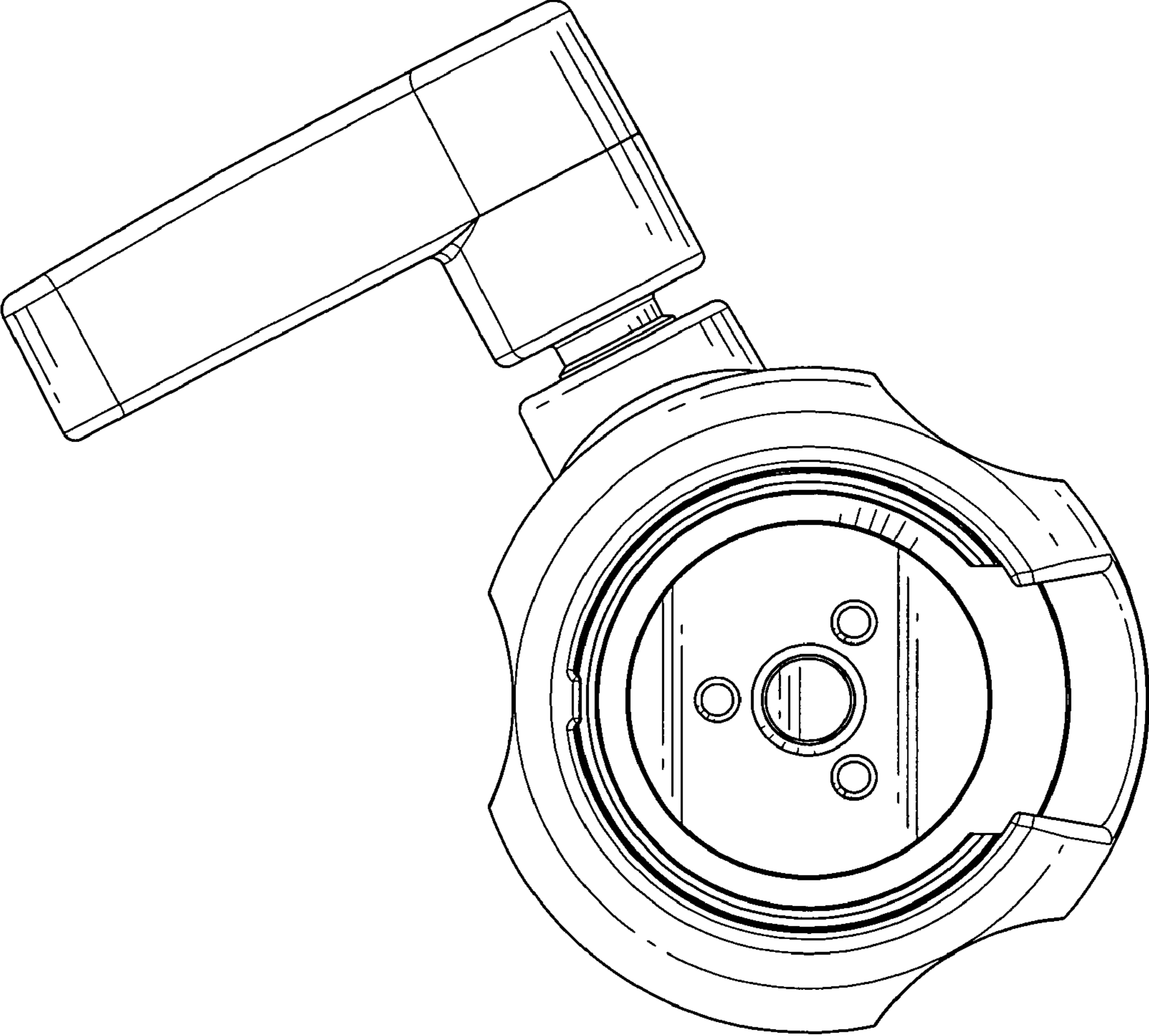


FIG. 7